



US00D936978S

(12) **United States Design Patent**  
**Peng**

(10) **Patent No.:** **US D936,978 S**

(45) **Date of Patent:** **\*\* Nov. 30, 2021**

(54) **ELECTRONIC PHOTO FRAME**

(71) Applicant: **Shenzhen Aizuo Technology Innovation Co. Ltd**, Shenzhen (CN)

(72) Inventor: **Chao Peng**, Ganzhou (CN)

(\*\*) Term: **15 Years**

(21) Appl. No.: **29/756,191**

(22) Filed: **Oct. 27, 2020**

(30) **Foreign Application Priority Data**

Sep. 24, 2020 (CN) ..... 202030572473.5

(51) **LOC (13) Cl.** ..... **06-07**

(52) **U.S. Cl.**  
USPC ..... **D6/308**

(58) **Field of Classification Search**  
USPC ..... D6/300, 301, 302, 303, 304, 307, 308,  
D6/309, 310, 311, 312, 313, 314;  
D10/15, 21, 24; D14/336, 341, 371, 372,  
D14/374, 381, 382, 448, 450; D20/10,  
D20/27  
CPC ..... A47G 1/0616; A47G 1/142; A47G  
2001/0694; A47G 1/06; A47G 1/0605;  
A47G 1/0633; A47G 1/0638; A47G  
1/0644; A47G 1/08; A47G 1/10; A47G  
1/14; A47G 1/141; A47G 1/16; A47G  
1/1606; A47G 1/1613; A47G 2001/0661;  
A47G 2001/0672; A47G 2001/0688;  
A47G 2001/148; G06F 1/1654  
See application file for complete search history.

(56) **References Cited**

**U.S. PATENT DOCUMENTS**

D572,023 S \* 7/2008 Park ..... D14/371  
D610,355 S \* 2/2010 Chigira ..... D6/308  
D610,356 S \* 2/2010 Hoehn ..... D6/310  
D625,929 S \* 10/2010 Mitchell ..... D6/308  
D636,610 S \* 4/2011 Caubel ..... D6/300  
D834,429 S \* 11/2018 Jiang ..... D10/3

D862,909 S \* 10/2019 Zhou ..... D6/308  
D882,966 S \* 5/2020 Jiang ..... D6/308  
D884,366 S \* 5/2020 Gao ..... D6/308

(Continued)

**FOREIGN PATENT DOCUMENTS**

EM 008217244-0001 \* 10/2020  
GB 9008217244-0001 \* 10/2020

**OTHER PUBLICATIONS**

Dragon Touch Digital Picture Frame [online], [site visited Oct. 6, 2021]. Available from internet, URL: <[https://www.amazon.com/Dragon-Touch-Digital-Picture-Auto-Rotate/dp/B0815ZZ29C/ref=psdc\\_525460\\_t2\\_B08K3FT8ZN](https://www.amazon.com/Dragon-Touch-Digital-Picture-Auto-Rotate/dp/B0815ZZ29C/ref=psdc_525460_t2_B08K3FT8ZN)> (Year: 2019).\*

*Primary Examiner* — Cynthia Ramirez  
*Assistant Examiner* — Xavier Marti-Santos

(57) **CLAIM**

The ornamental design for an electronic photo frame, as shown and described.

**DESCRIPTION**

FIG. 1 is a front and bottom perspective view of an electronic photo frame, showing my new design;  
FIG. 2 is a rear and top perspective view thereof;  
FIG. 3 is a front elevational view thereof;  
FIG. 4 is a rear elevational view thereof;  
FIG. 5 is a left side elevational view thereof;  
FIG. 6 is a right side elevational view thereof;  
FIG. 7 is a top plan view thereof;  
FIG. 8 is a bottom plan view thereof; and,  
FIG. 9 is an enlarged view of a portion labeled, 'FIG. 9' in FIG. 2.

The dash dot dash lines in FIGS. 2 and 9 are for the purpose of depicting the cut line of the enlarged view and form no part of the claim. The broken lines in the figures illustrate portions of the article that form no part of the claimed design.

**1 Claim, 9 Drawing Sheets**

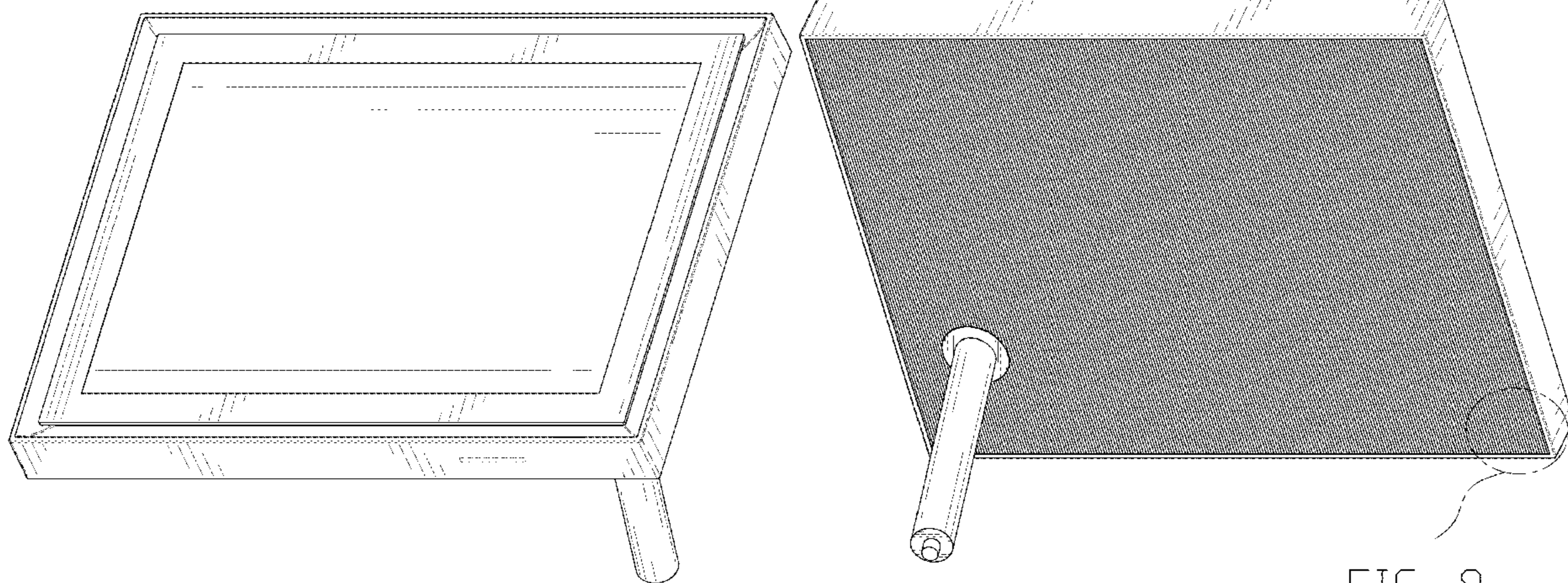


FIG. 9

(56)

**References Cited**

U.S. PATENT DOCUMENTS

D884,367 S	*	5/2020	Gao	.....	D6/308
D900,488 S	*	11/2020	Chu	.....	D6/308
D901,192 S	*	11/2020	Wang	.....	D6/308
D905,974 S	*	12/2020	Chen	.....	D6/308

\* cited by examiner

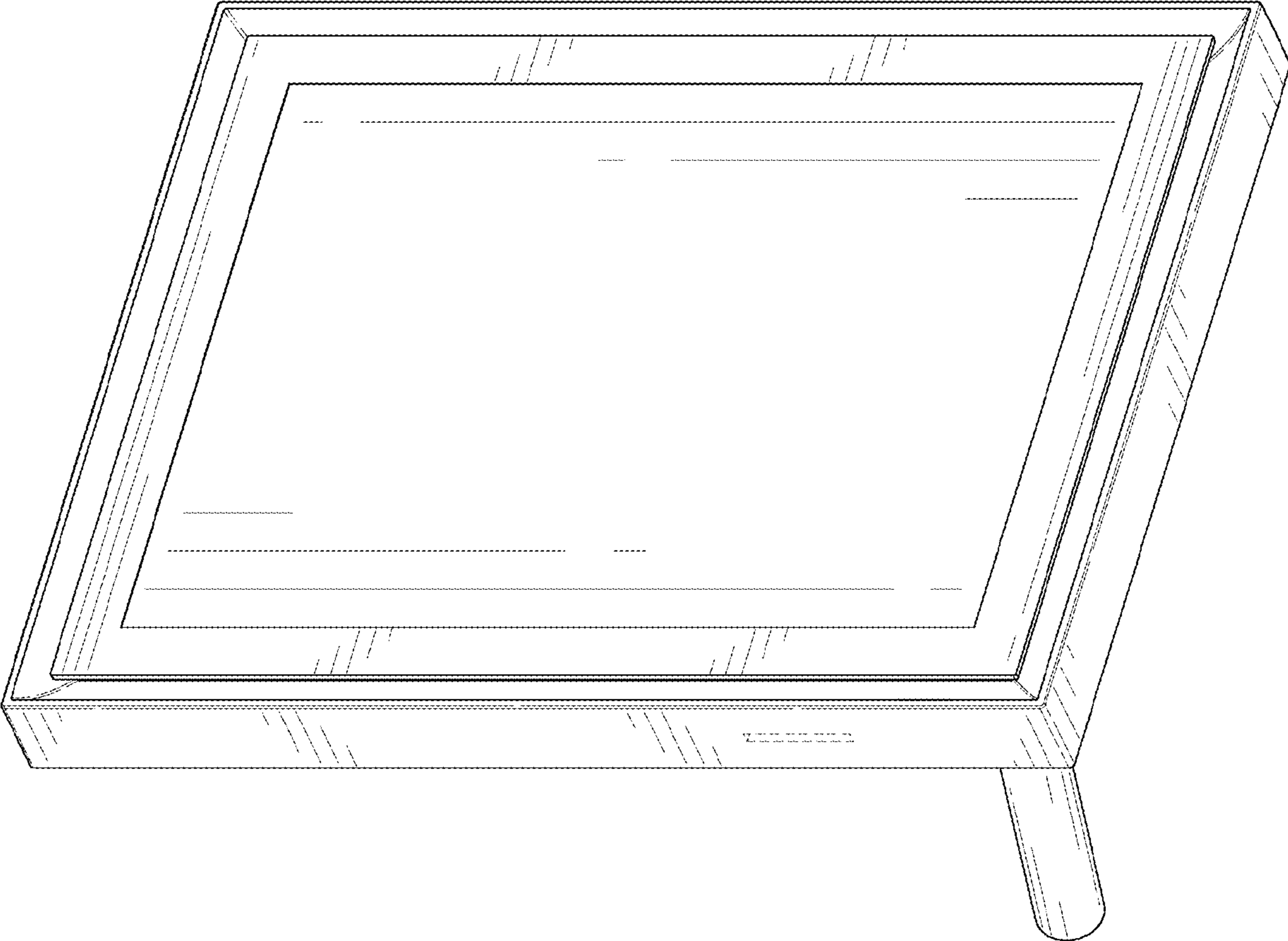


FIG. 1

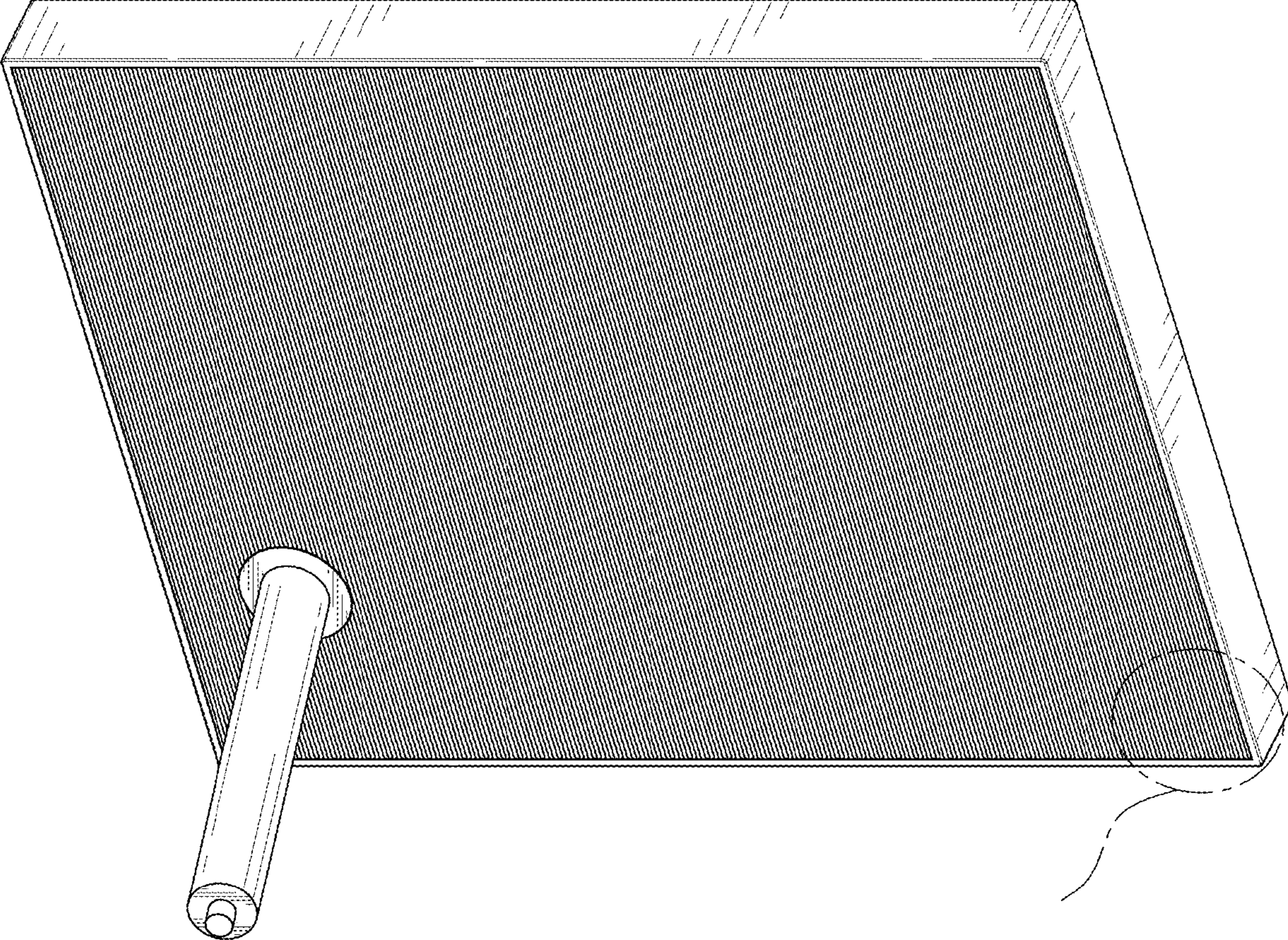


FIG. 9

FIG. 2



FIG. 3

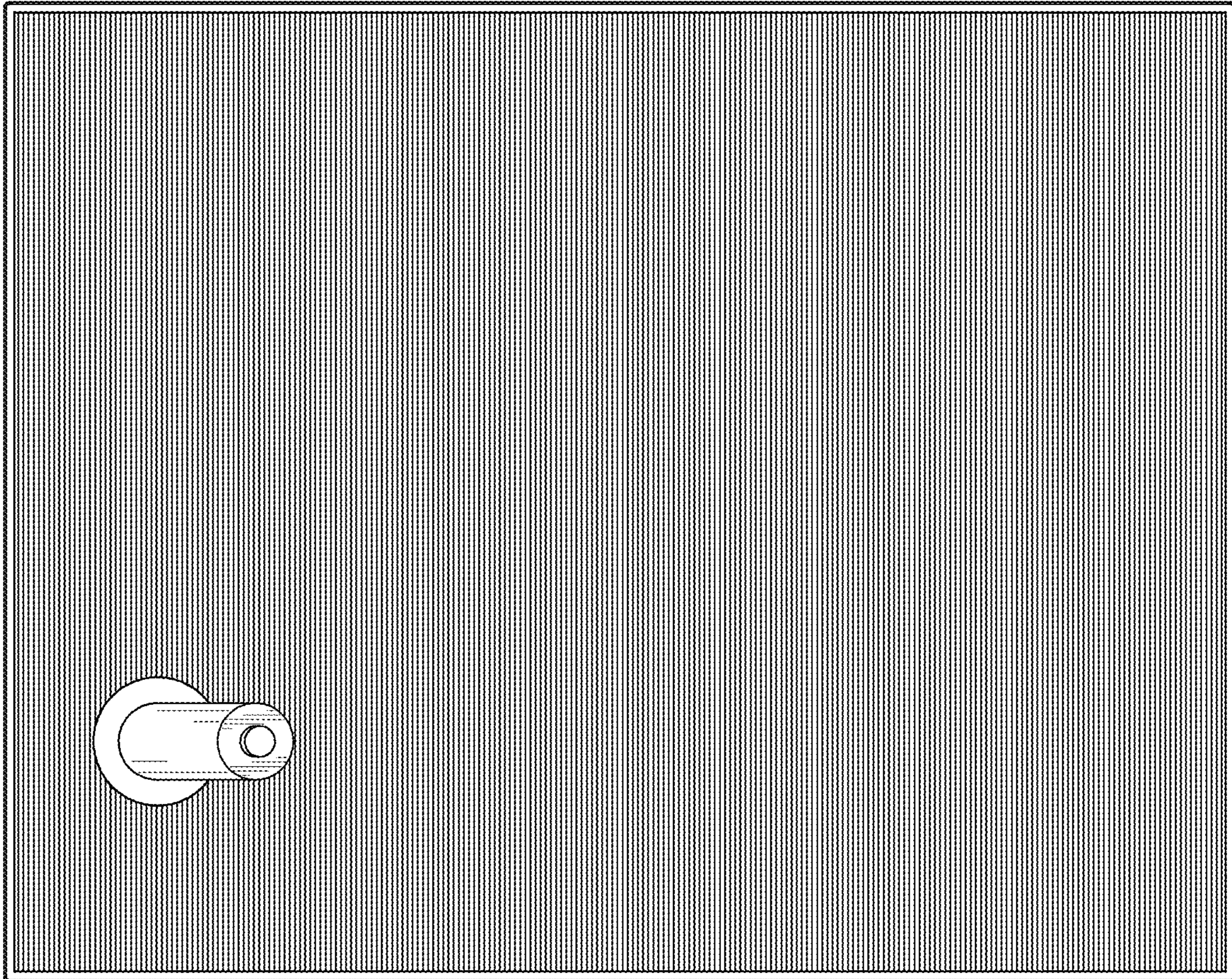


FIG. 4

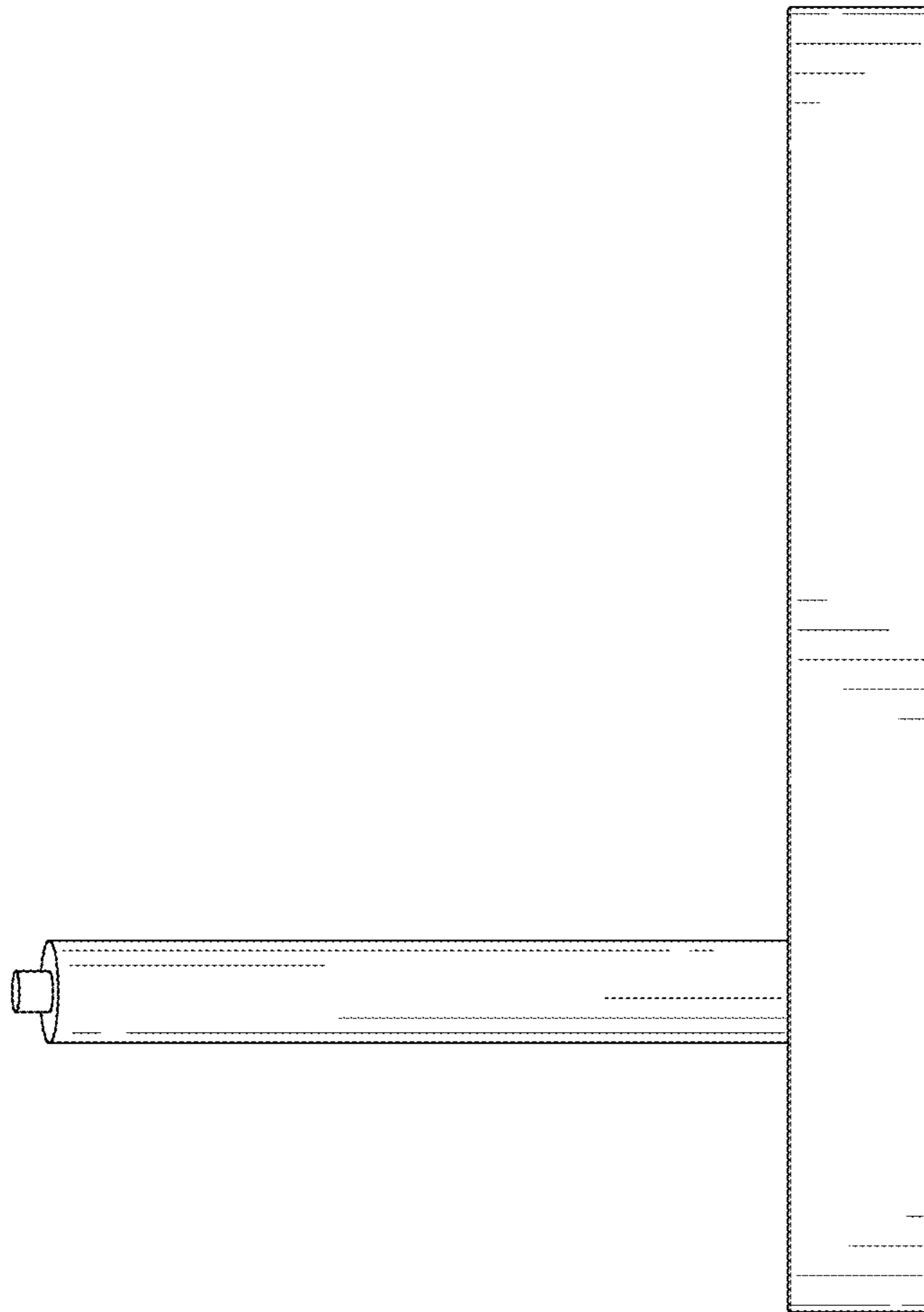


FIG. 5

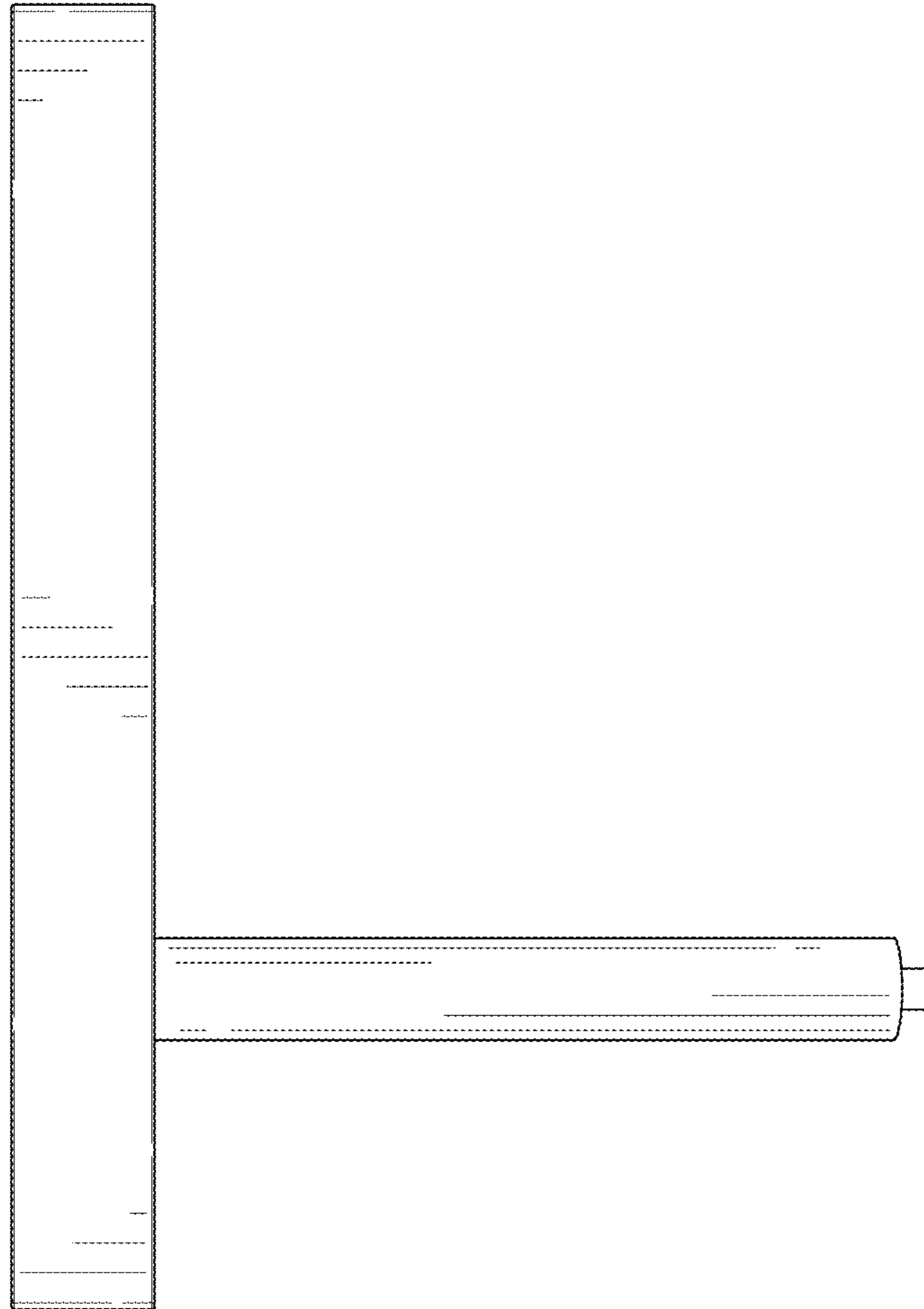


FIG. 6



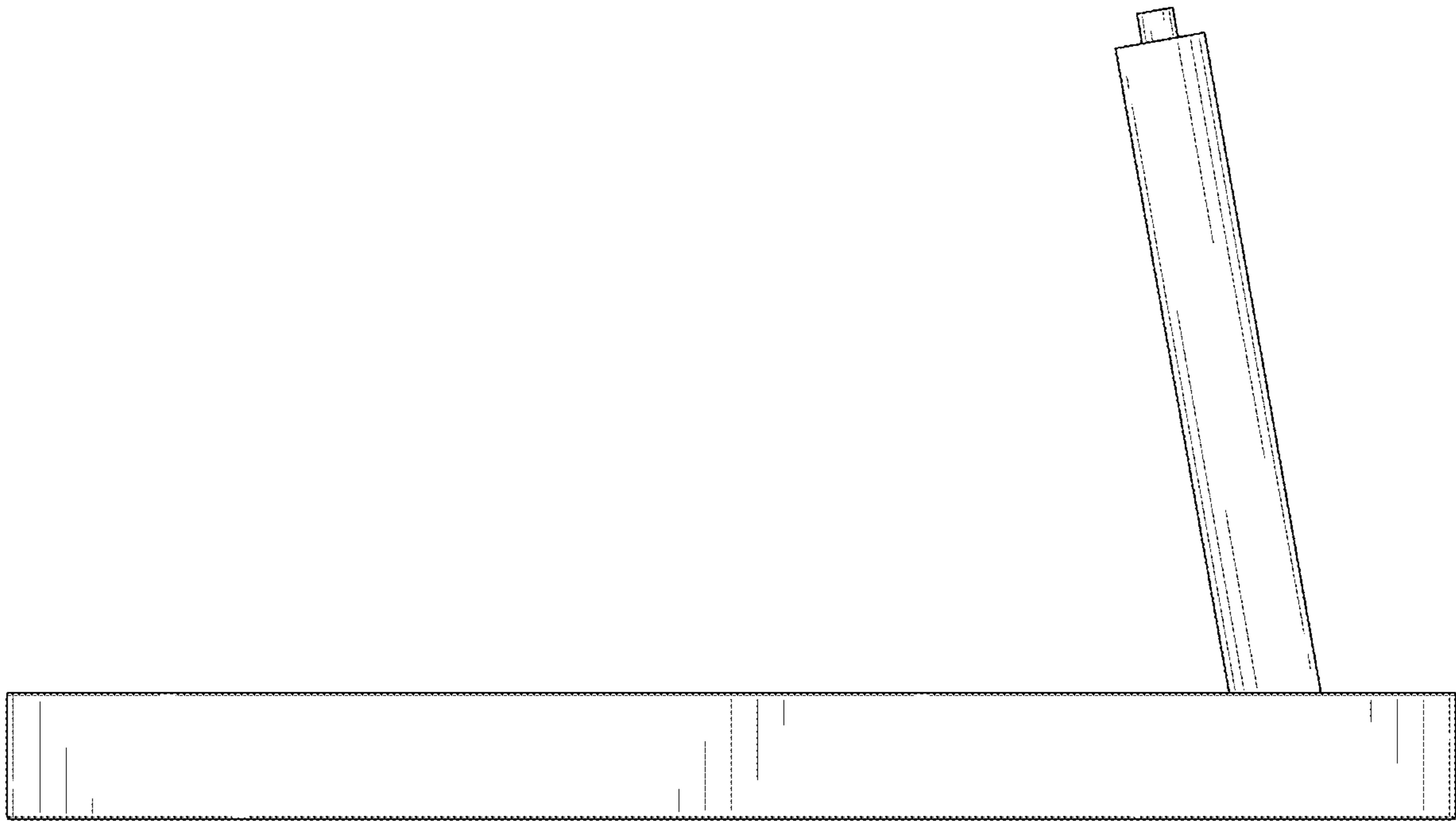


FIG. 7

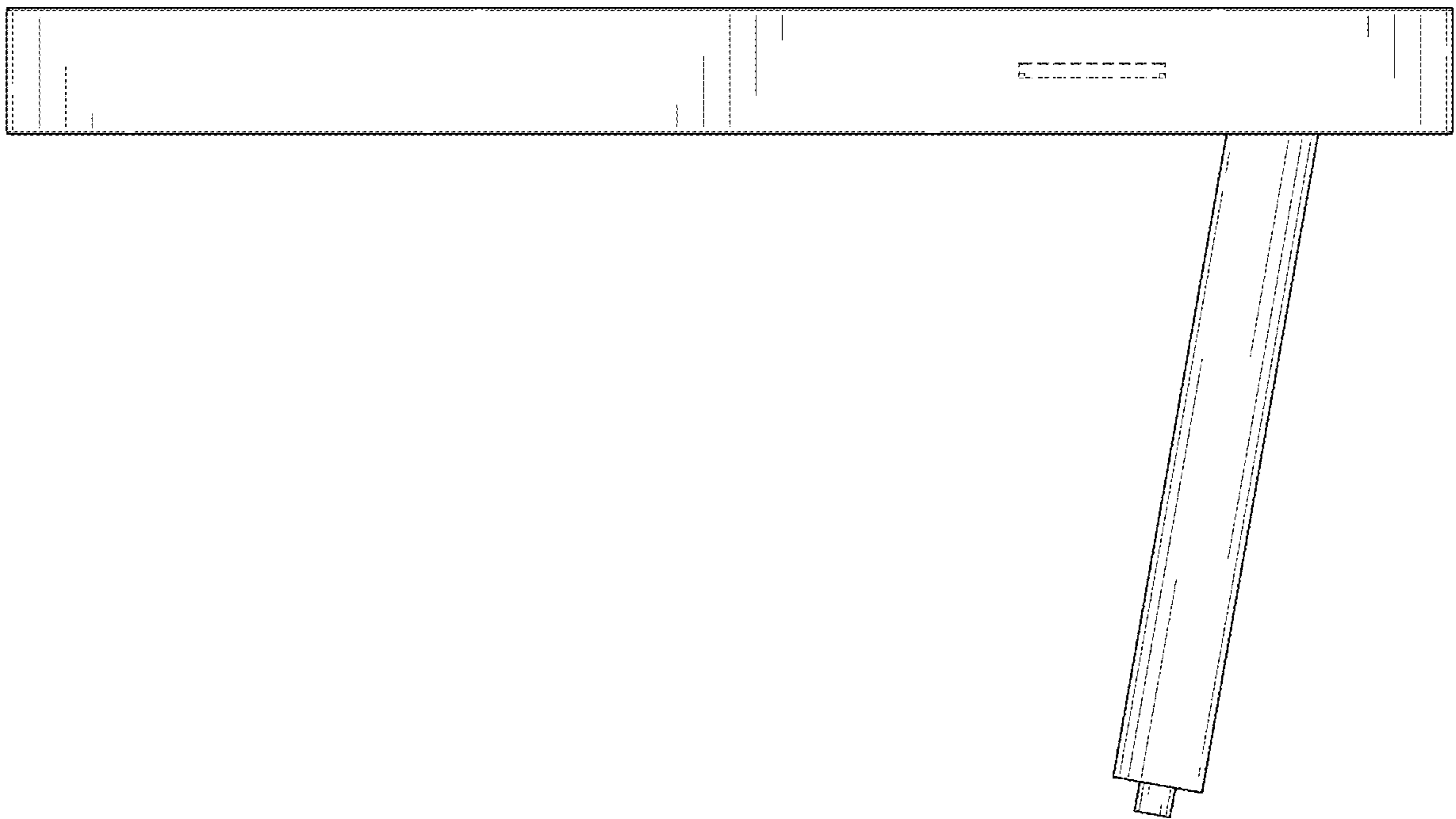


FIG. 8

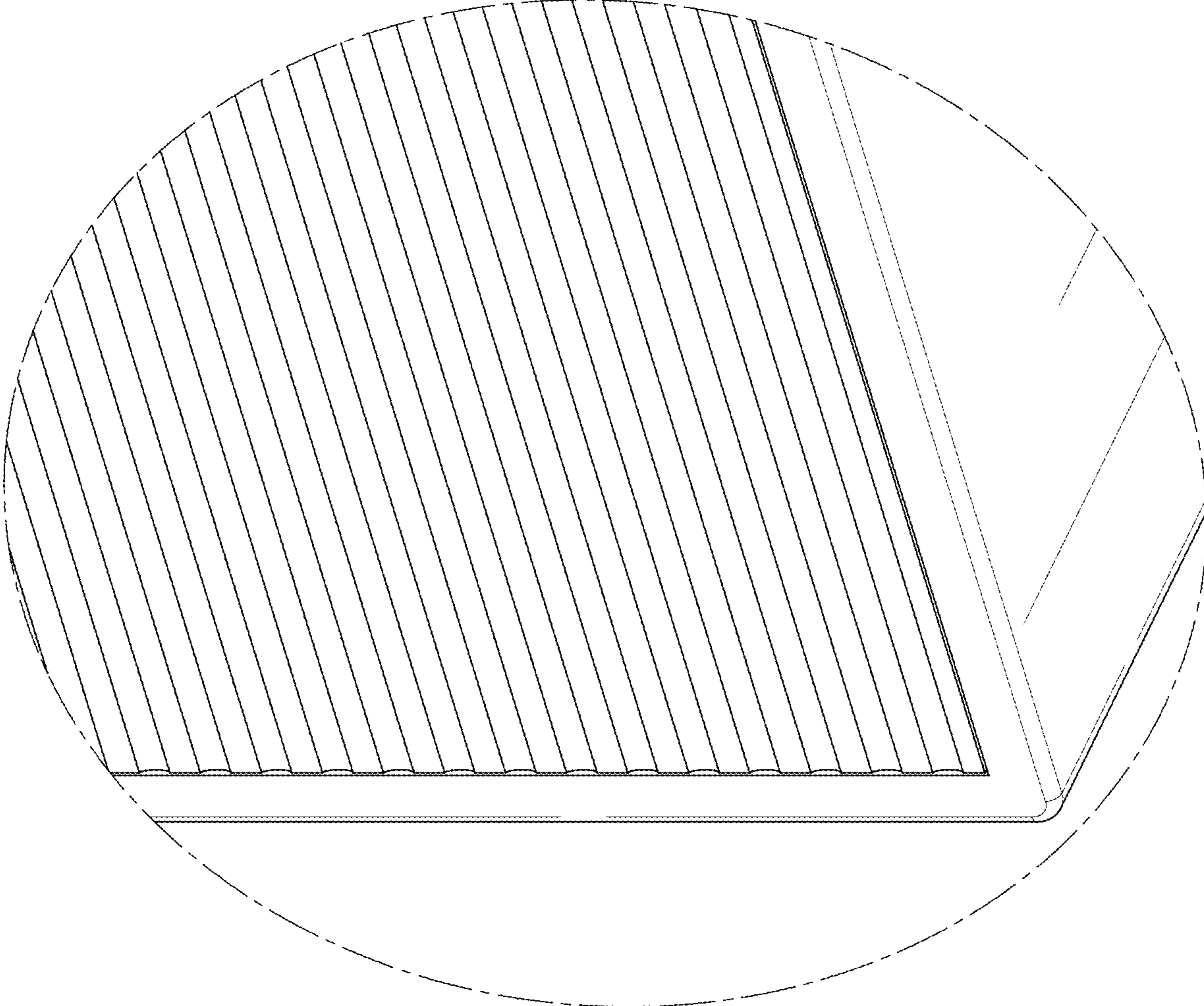


FIG. 9