



US00D936977S

(12) **United States Design Patent** (10) **Patent No.:** **US D936,977 S**
Miller (45) **Date of Patent:** **** Nov. 30, 2021**

(54) **CRESCENT BRUSH**

(71) Applicant: **Anisa International, Inc.**, Atlanta, GA (US)

(72) Inventor: **NaTasha Tameika Miller**, Atlanta, GA (US)

(73) Assignee: **Anisa International, inc**, Atlanta, GA (US)

(**) Term: **15 Years**

(21) Appl. No.: **29/734,145**

(22) Filed: **May 8, 2020**

(51) **LOC (13) Cl.** **04-99**

(52) **U.S. Cl.**
USPC **D4/124**

(58) **Field of Classification Search**
USPC D4/117-138; D30/158, 159; D32/35, 51
CPC A46B 2200/10; A46B 2200/104; A46B 2200/1046; A46B 7/026; A46B 5/005
See application file for complete search history.

(56) **References Cited**

U.S. PATENT DOCUMENTS

D572,010 S *	7/2008	Riaz	D4/135
7,950,402 B1 *	5/2011	Cole	A45D 40/262
				132/320
D859,000 S *	9/2019	Colville Somma	D4/135
D871,079 S *	12/2019	Hwang	D4/135
D886,464 S *	6/2020	Wisnewski	D4/135
D897,689 S *	10/2020	Colville Somma	D4/135
D914,369 S *	3/2021	Colville Somma	D4/135
2020/0015579 A1	1/2020	Barad		

FOREIGN PATENT DOCUMENTS

WO 2018011665 1/2018

OTHER PUBLICATIONS

Anisa Contour Brush, announced 2020 [online], [site visited May 12, 2021]. Available from internet, URL: <https://www.anisabeauty.com/products/crescent-contour-brush> (Year: 2020).*

Sephora Brush, announced Apr. 2017 [online], [site visited May 12, 2021]. Available from internet, URL: https://www.sephora.com/product/pro-sculpting-blush-brush-99-P417916?country_switch=US&lang=en&skuId=2290104 (Year: 2017).*

Pennelli Faro S.R.L.; Design information for European design No. 003307867-0001, filed Jul. 15, 2016, 3 pgs.

* cited by examiner

Primary Examiner — George A Bugg

Assistant Examiner — Tamara L Hahn

(74) *Attorney, Agent, or Firm* — Taylor English Duma LLP

(57) **CLAIM**

I claim the ornamental design for a crescent brush, as shown and described.

DESCRIPTION

FIG. 1 is a perspective view of the crescent brush.

FIG. 2 is a front elevation view thereof.

FIG. 3 is a rear elevation view thereof.

FIG. 4 is a left-side elevation view thereof.

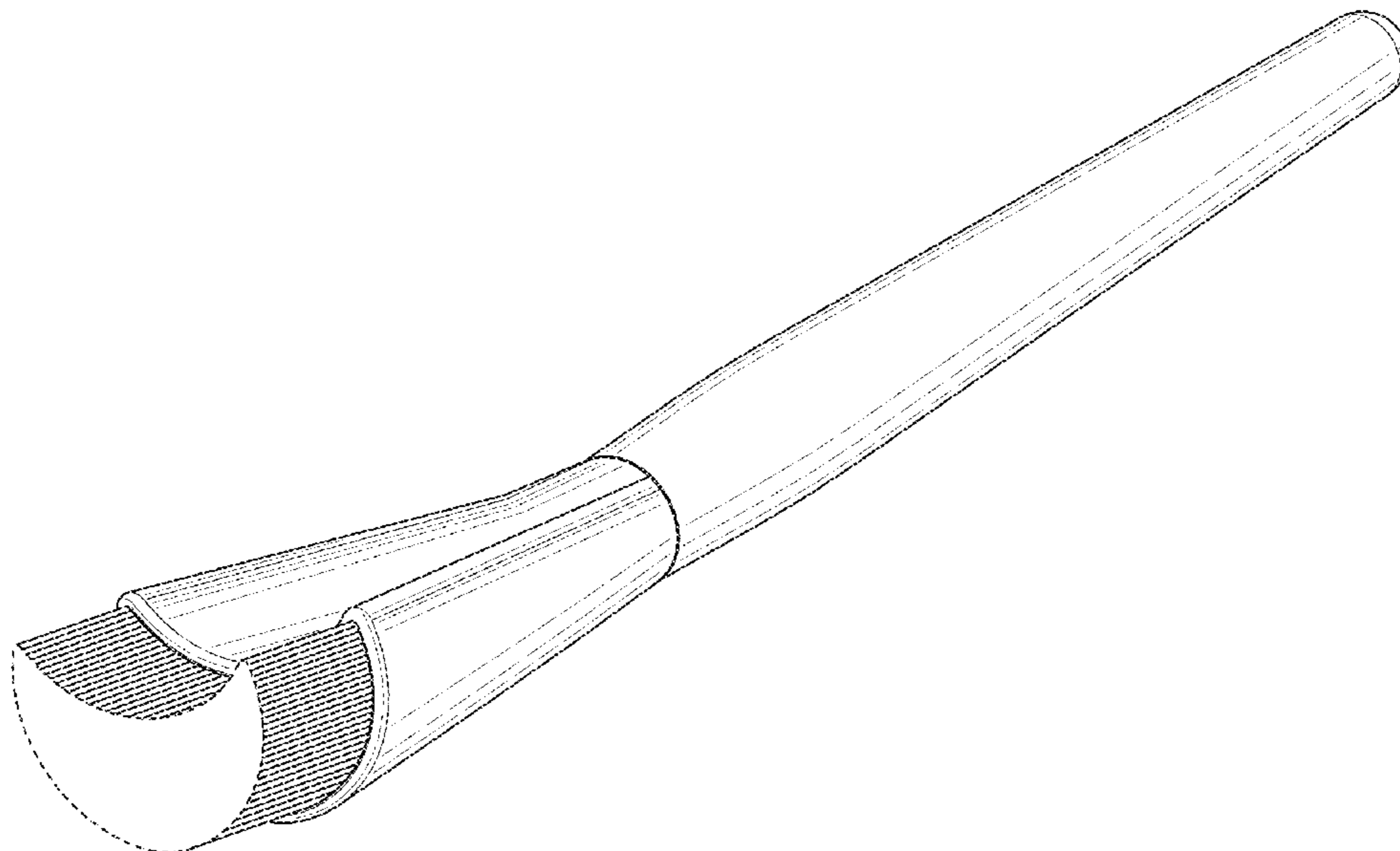
FIG. 5 is a right-side elevation view thereof.

FIG. 6 is a top plan view thereof; and,

FIG. 7 is a bottom plan view thereof.

Those features shown in broken lines, including an end of a brush head, shown in FIGS. 1-6, form no part of the claimed design.

1 Claim, 6 Drawing Sheets



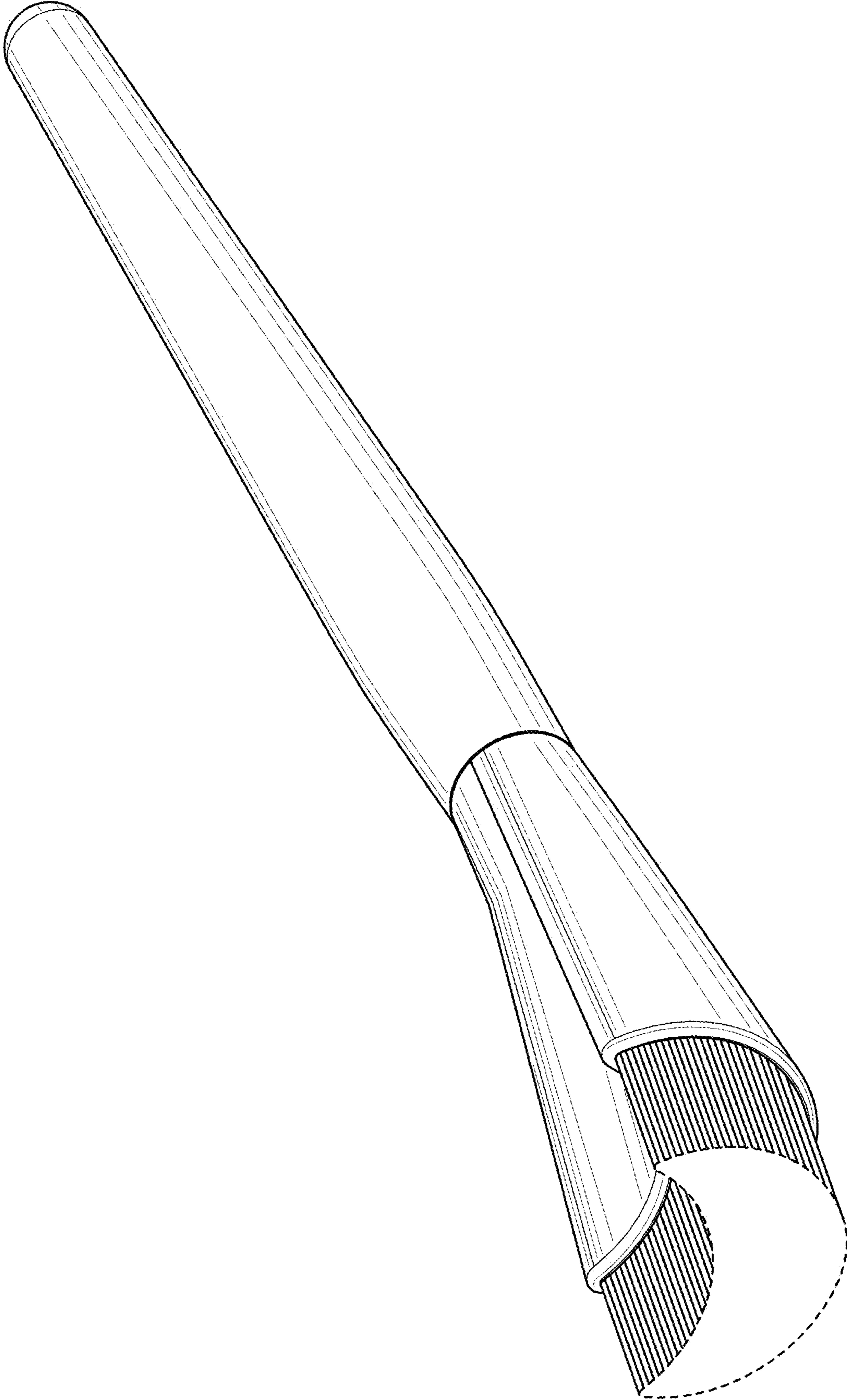


FIG. 1

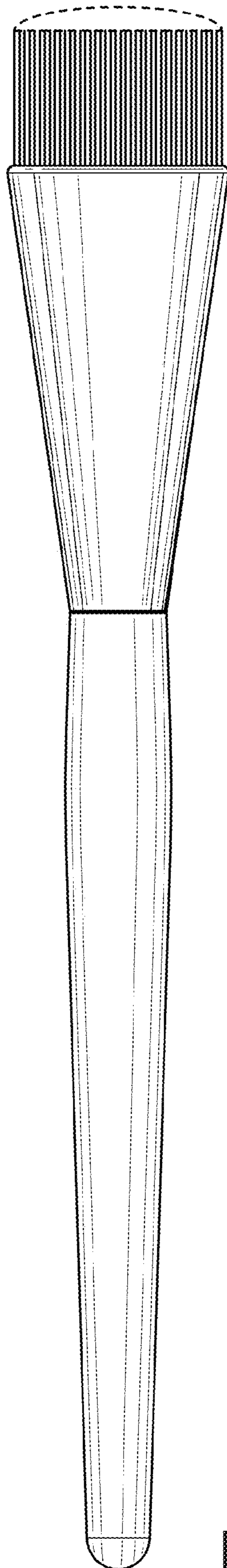


FIG. 2

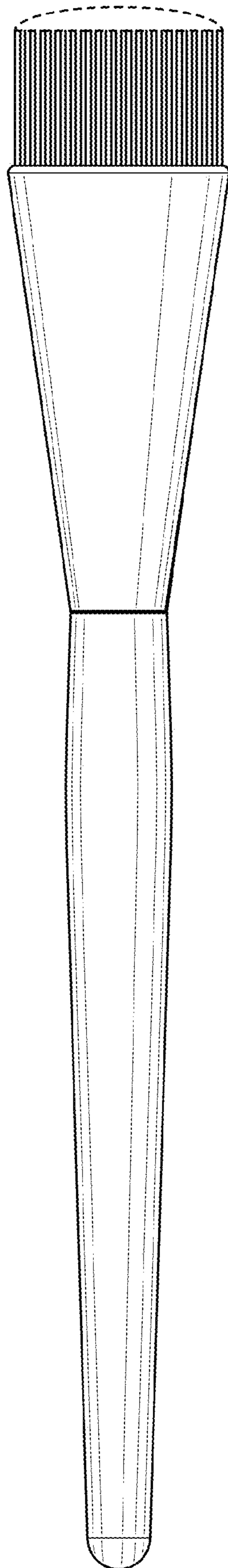


FIG. 3

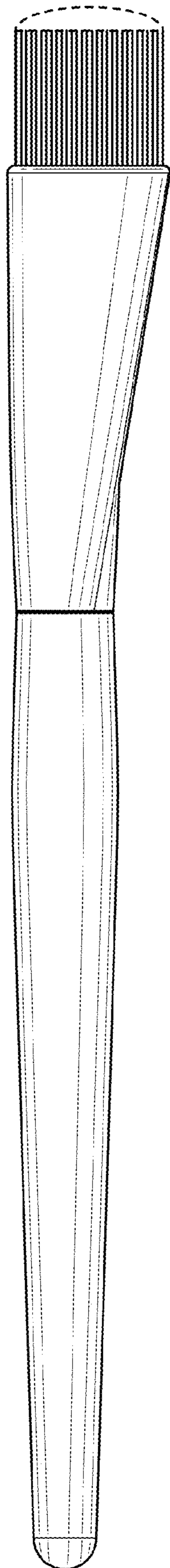


FIG. 4

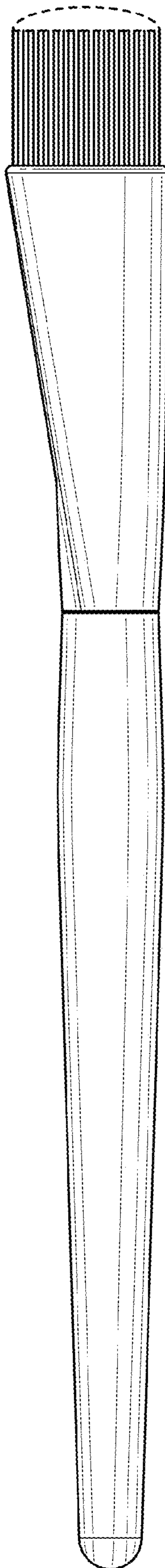


FIG. 5

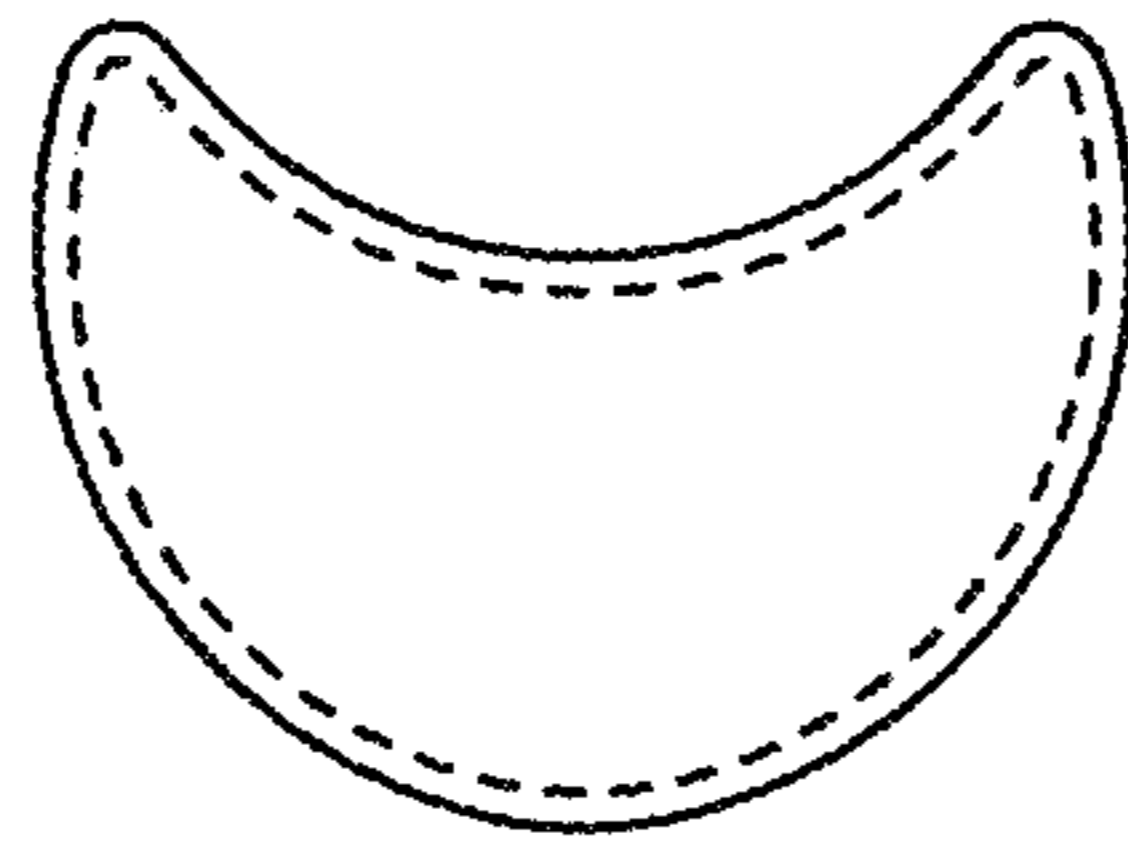


FIG. 6

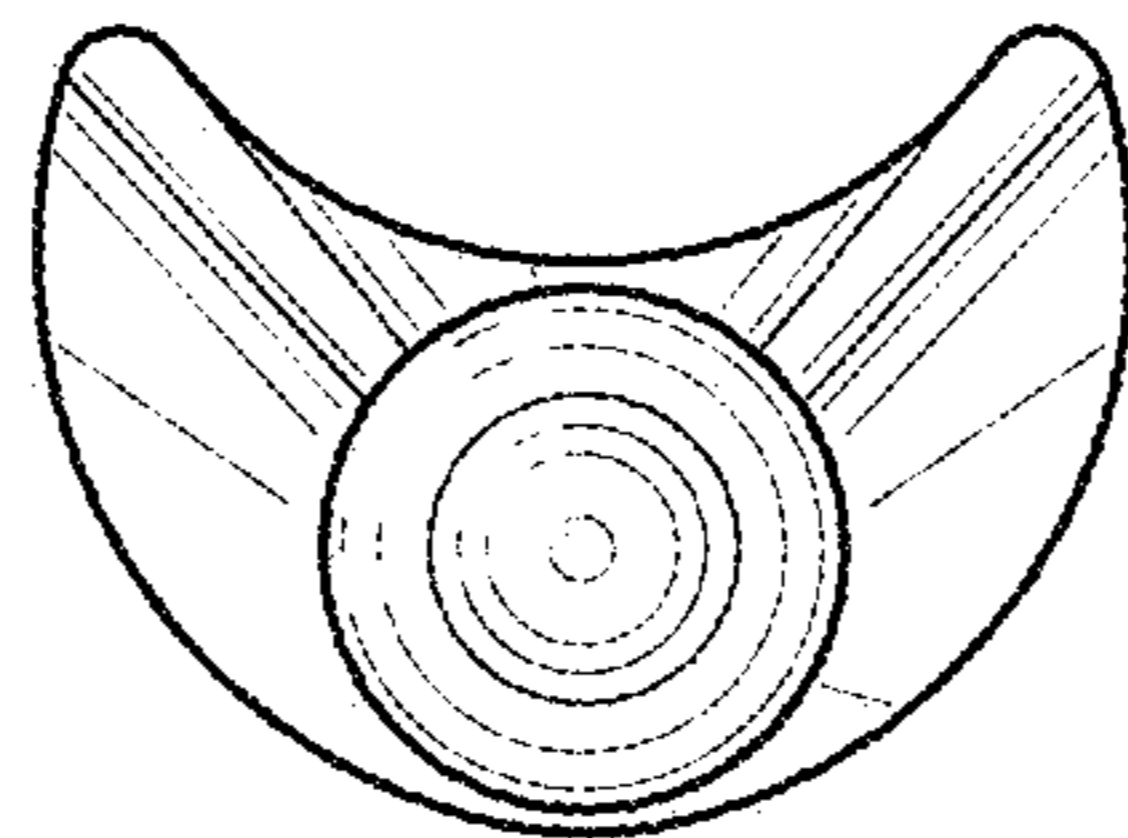


FIG. 7