



US00D936967S

(12) **United States Design Patent** (10) **Patent No.:** **US D936,967 S**
Parry (45) **Date of Patent:** **** Nov. 30, 2021**

(54) **PACKING CASE** 5,904,230 A * 5/1999 Peterson A45C 11/20
190/107
(71) Applicant: **Workplace-Worksafe Limited**, Ruthin D414,379 S * 9/1999 Haberkorn D7/607
(GB) D446,495 S * 8/2001 Kolpin D12/406
D446,937 S * 8/2001 Mogil A45C 7/0077
(72) Inventor: **Rhian Parry**, Ruthin (GB) D3/273
D495,489 S * 9/2004 Messina-Brown A45C 13/26
(73) Assignee: **Workplace-Worksafe LTD**, Ruthin D3/283
(GB) D724,320 S * 3/2015 Russell D3/273
D779,203 S * 2/2017 Kinskey D3/294
D831,350 S * 10/2018 Tonelli D3/262
(**) Term: **15 Years** 2020/0196725 A1 * 6/2020 Tonelli A45C 13/26

(21) Appl. No.: **35/509,674**

(22) Filed: **Dec. 20, 2019**

(80) **Hague Agreement Data**

Int. Filing Date: **Dec. 20, 2019**
Int. Reg. No.: **DM/206731**
Int. Reg. Date: **Dec. 20, 2019**
Int. Reg. Pub. Date: **Jun. 26, 2020**

(51) **LOC (13) Cl.** **03-01**

(52) **U.S. Cl.**
USPC **D3/273**

(58) **Field of Classification Search**
USPC D9/414, 420, 423, 424, 430, 432, 654,
D9/428, 455; D3/272, 273, 276, 282,
D3/290; D8/356, 358
CPC A45C 5/00; A45C 5/03; A45C 2005/032;
A45C 2005/035; A45C 5/08; A45C 11/00
See application file for complete search history.

(56) **References Cited**

U.S. PATENT DOCUMENTS

792,731 A * 6/1905 Romunder A45C 7/00
190/21
D234,273 S * 2/1975 Wilson et al. D3/272

* cited by examiner

Primary Examiner — Keli L Hill

(74) *Attorney, Agent, or Firm* — Woodard, Emhardt,
Henry, Reeves & Wagner, LLP

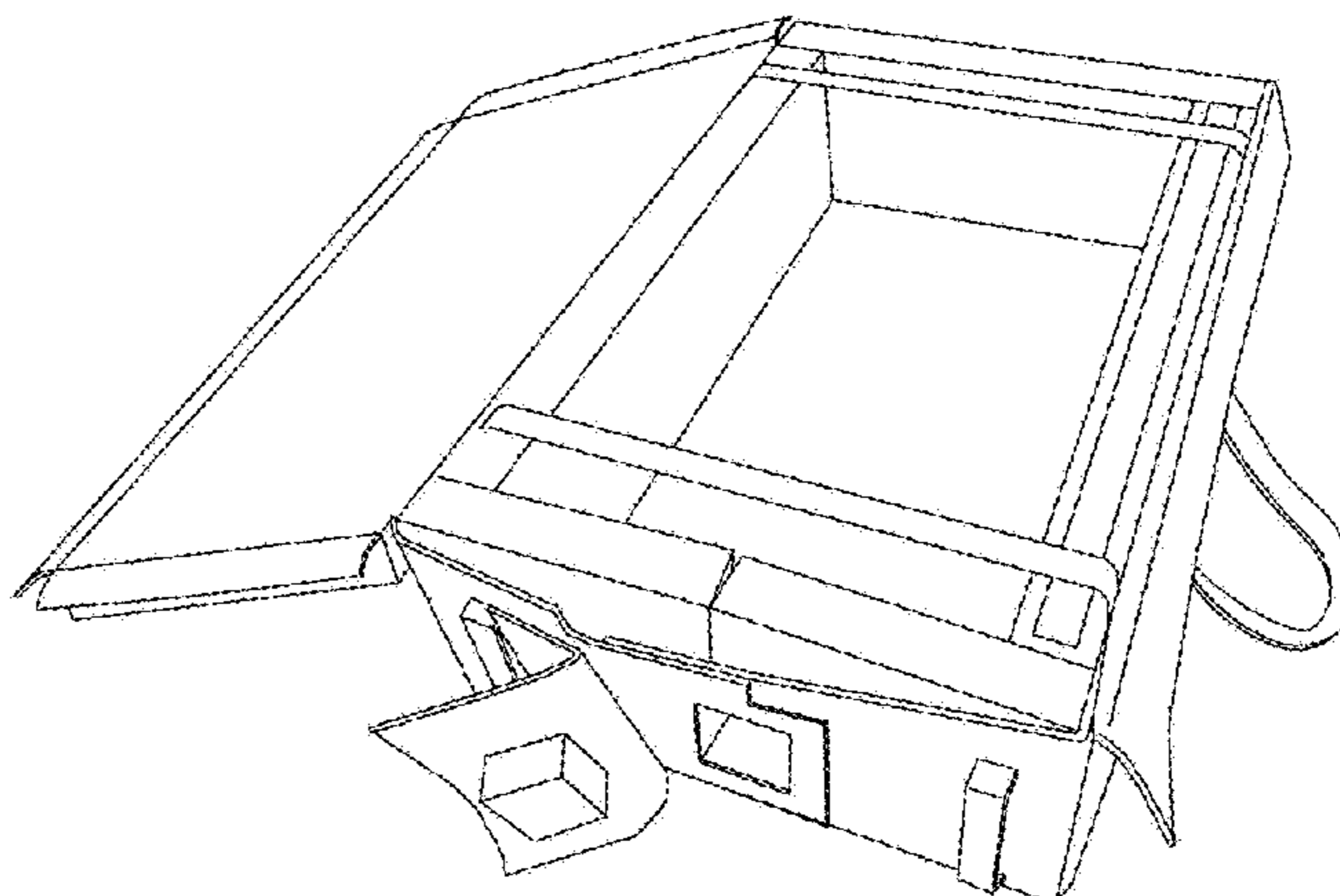
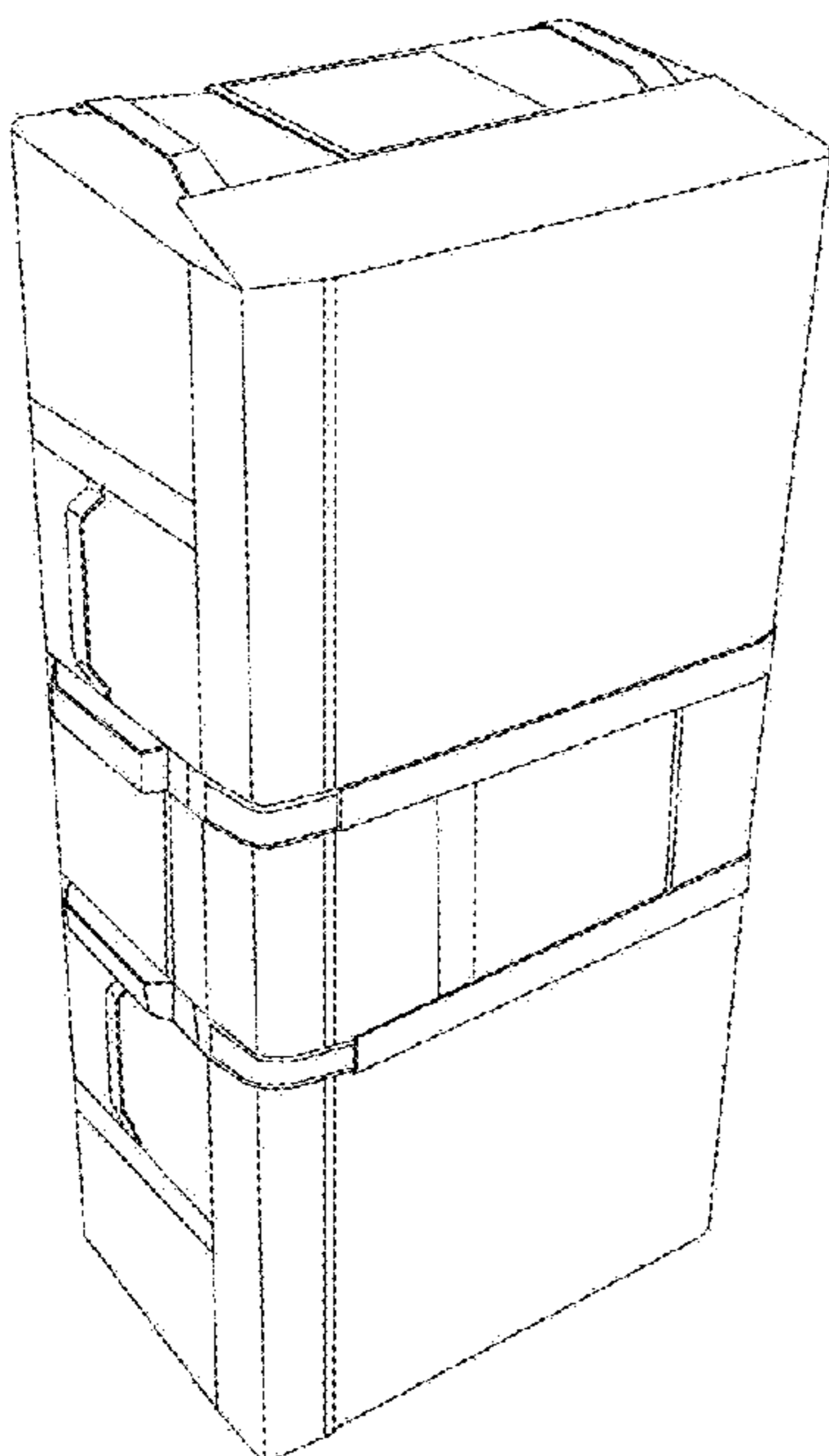
(57) **CLAIM**

The ornamental design for packing case, as shown and described.

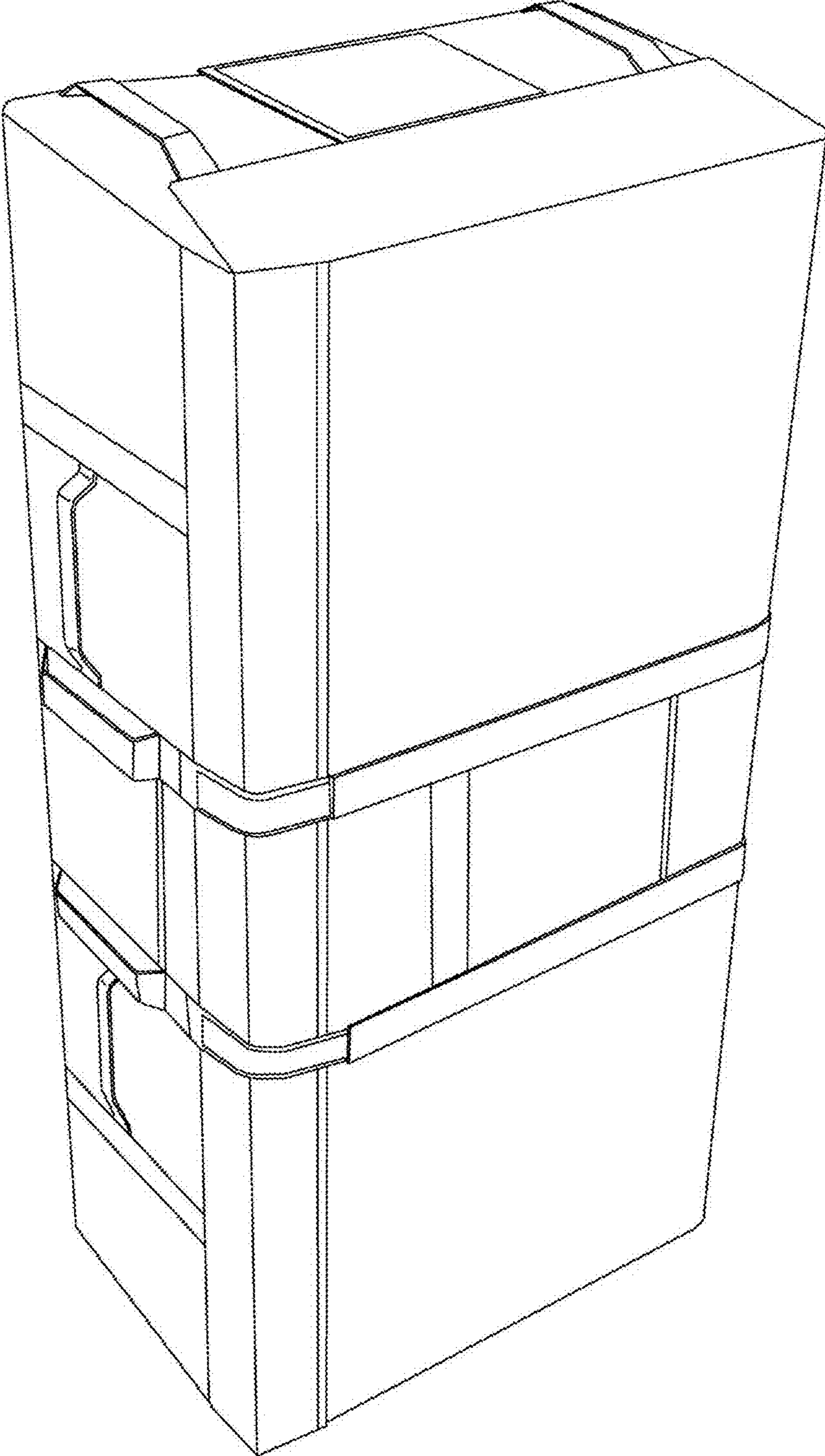
DESCRIPTION

- 1.-2. Packing case
- 1.1 : Perspective
- 1.2 : Perspective
- 1.3 : Front
- 1.4 : Right
- 1.5 : Back
- 1.6 : Left
- 1.7 : Top
- 1.8 : Bottom

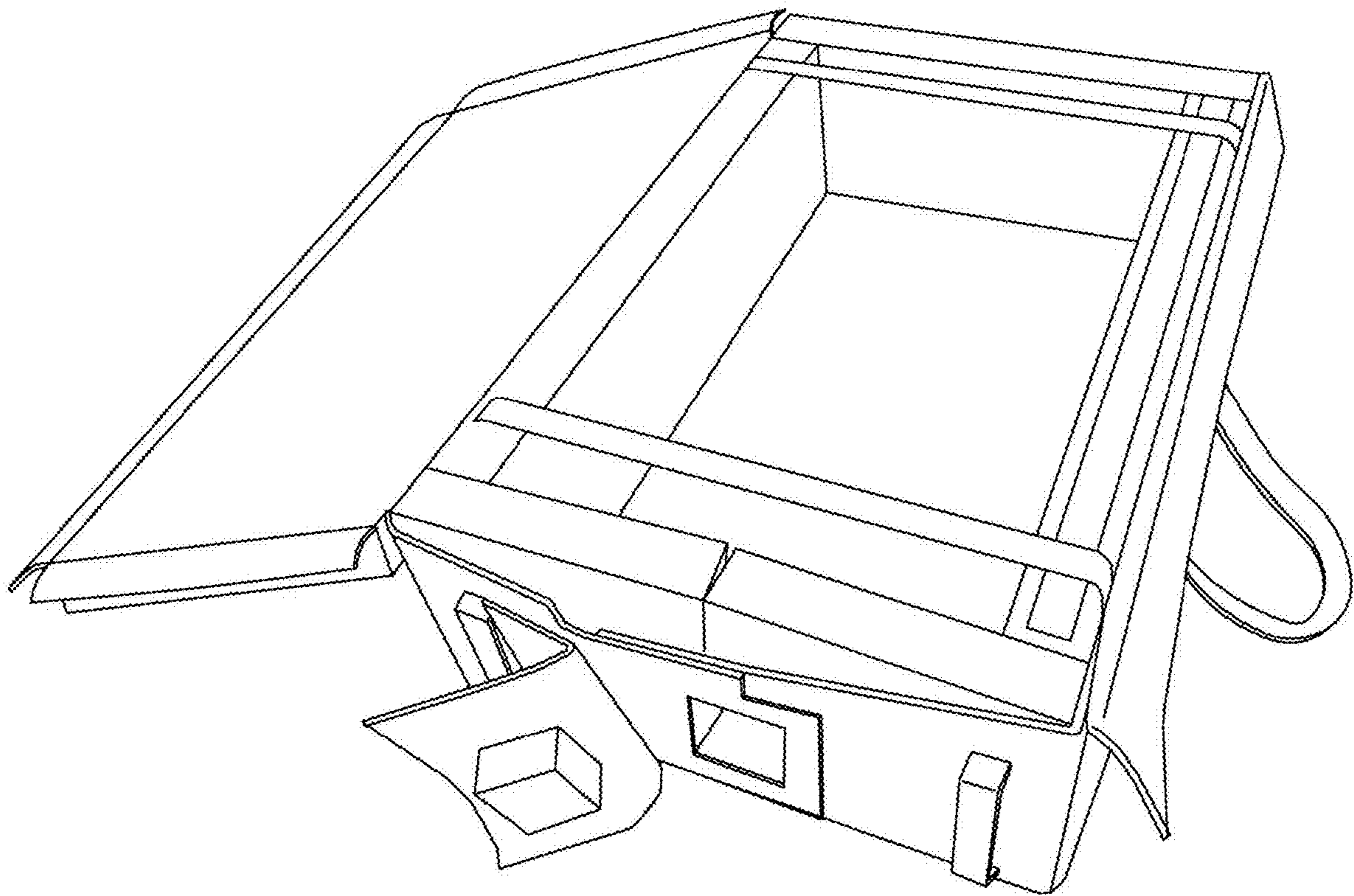
1 Claim, 8 Drawing Sheets



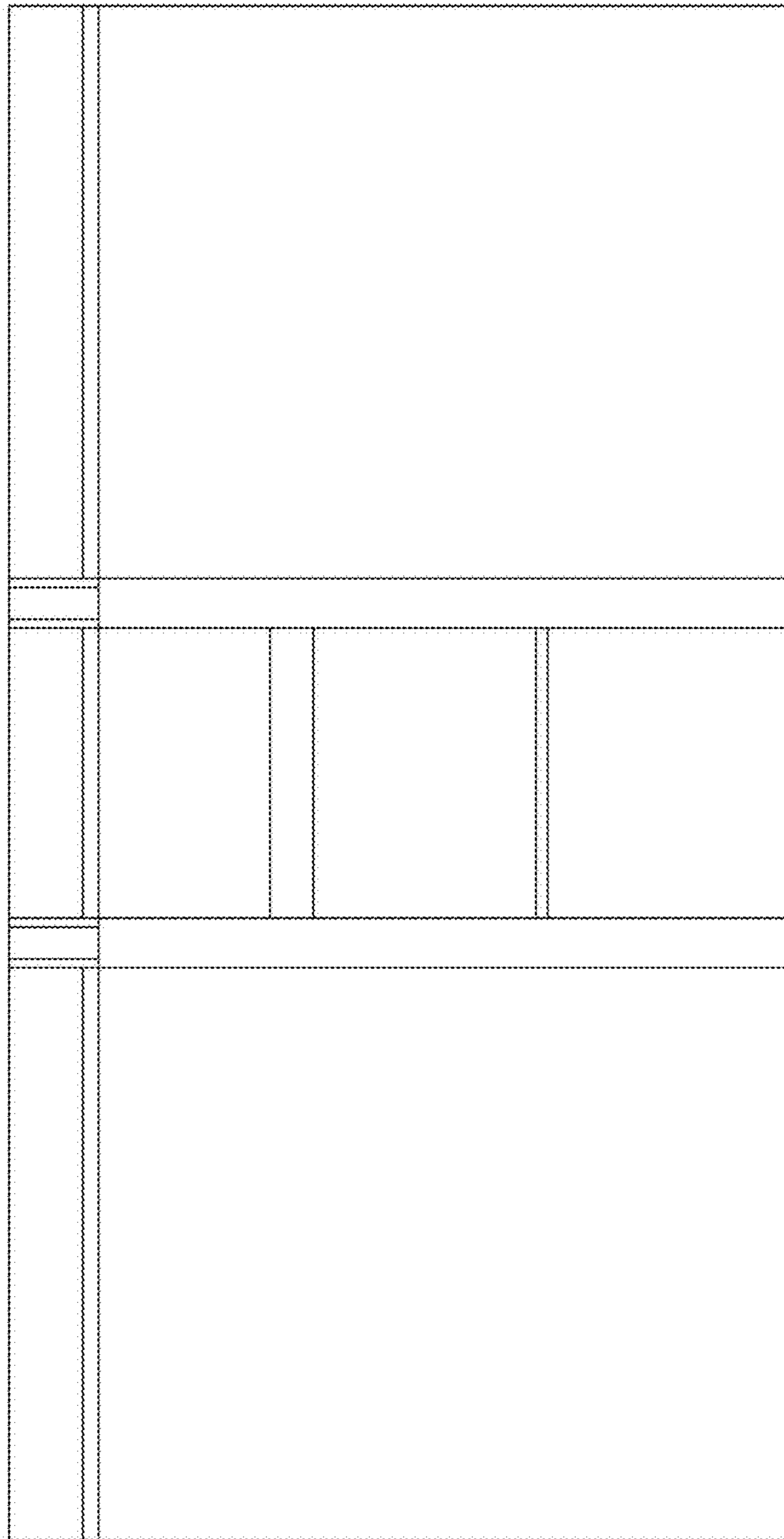
1.1



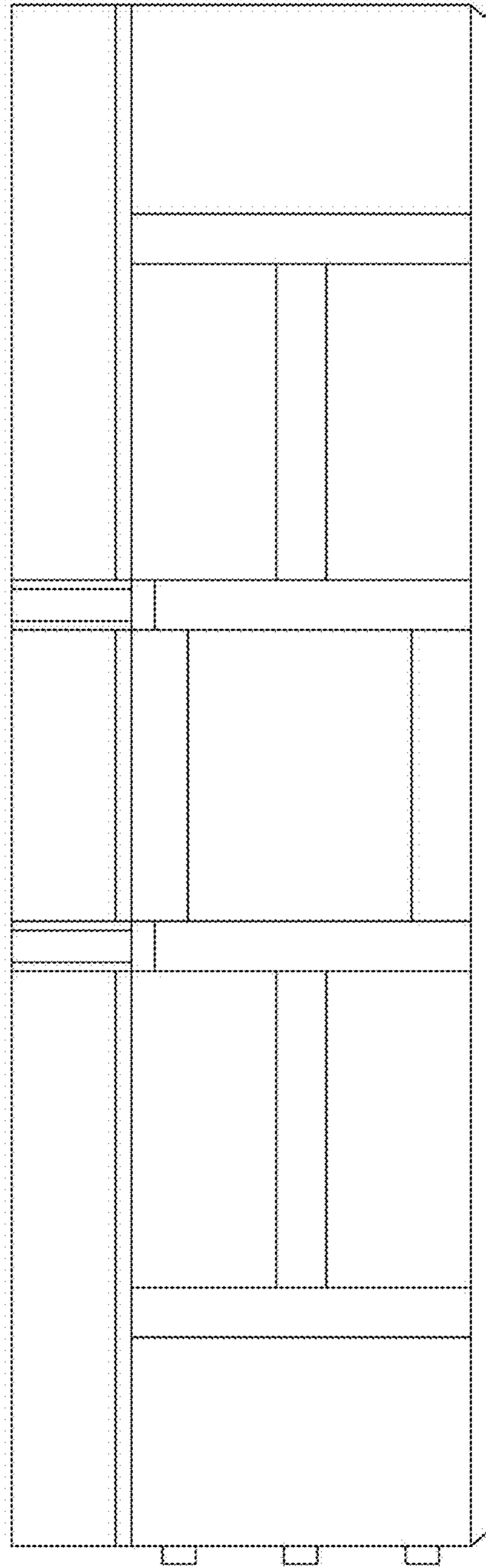
1.2



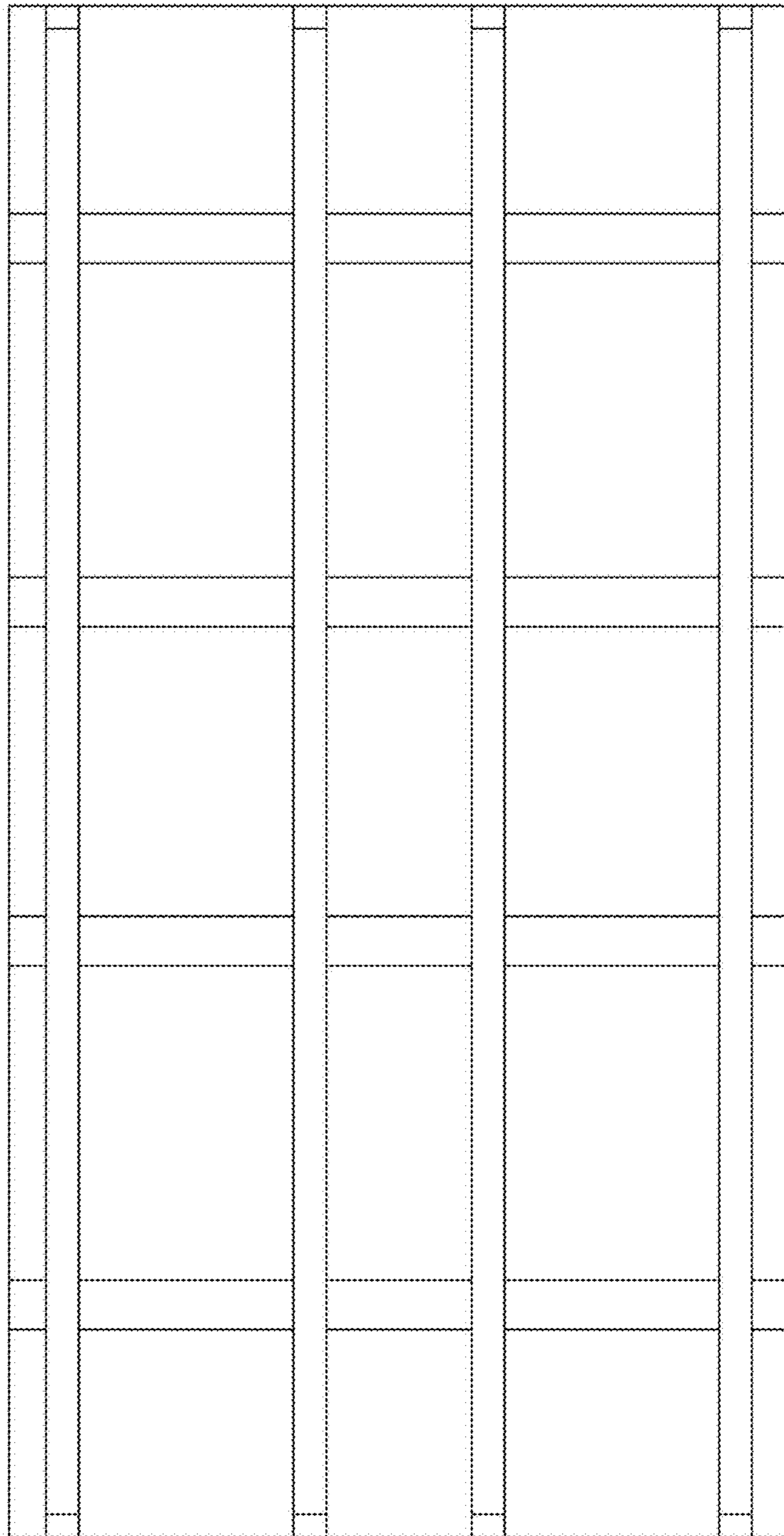
1.3



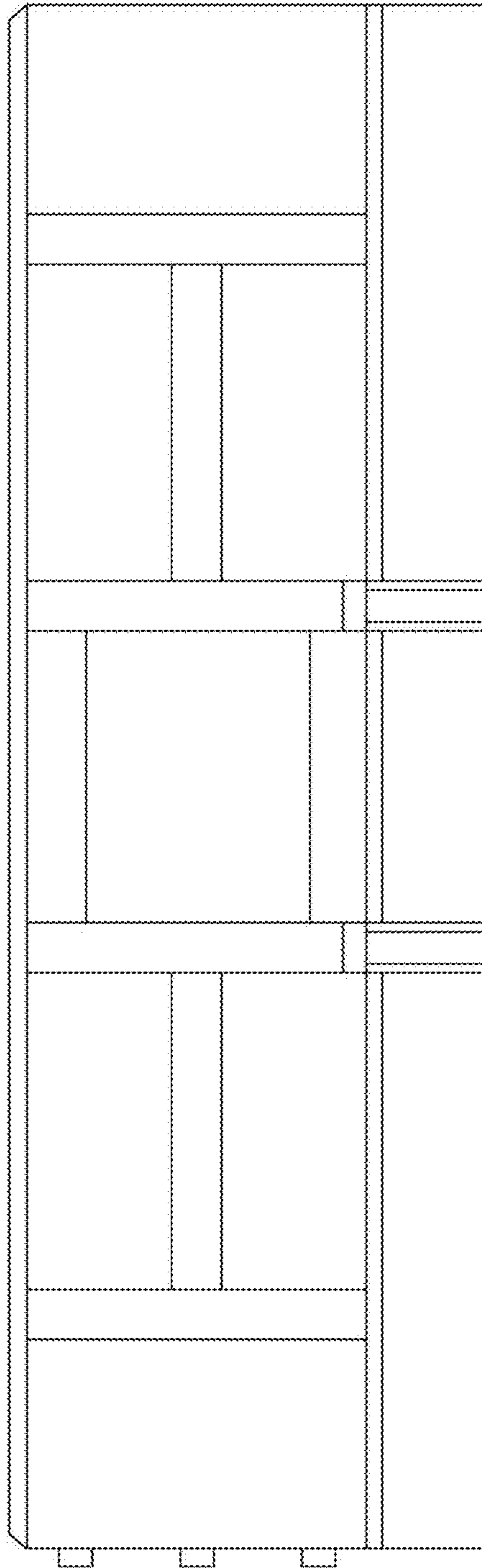
1.4



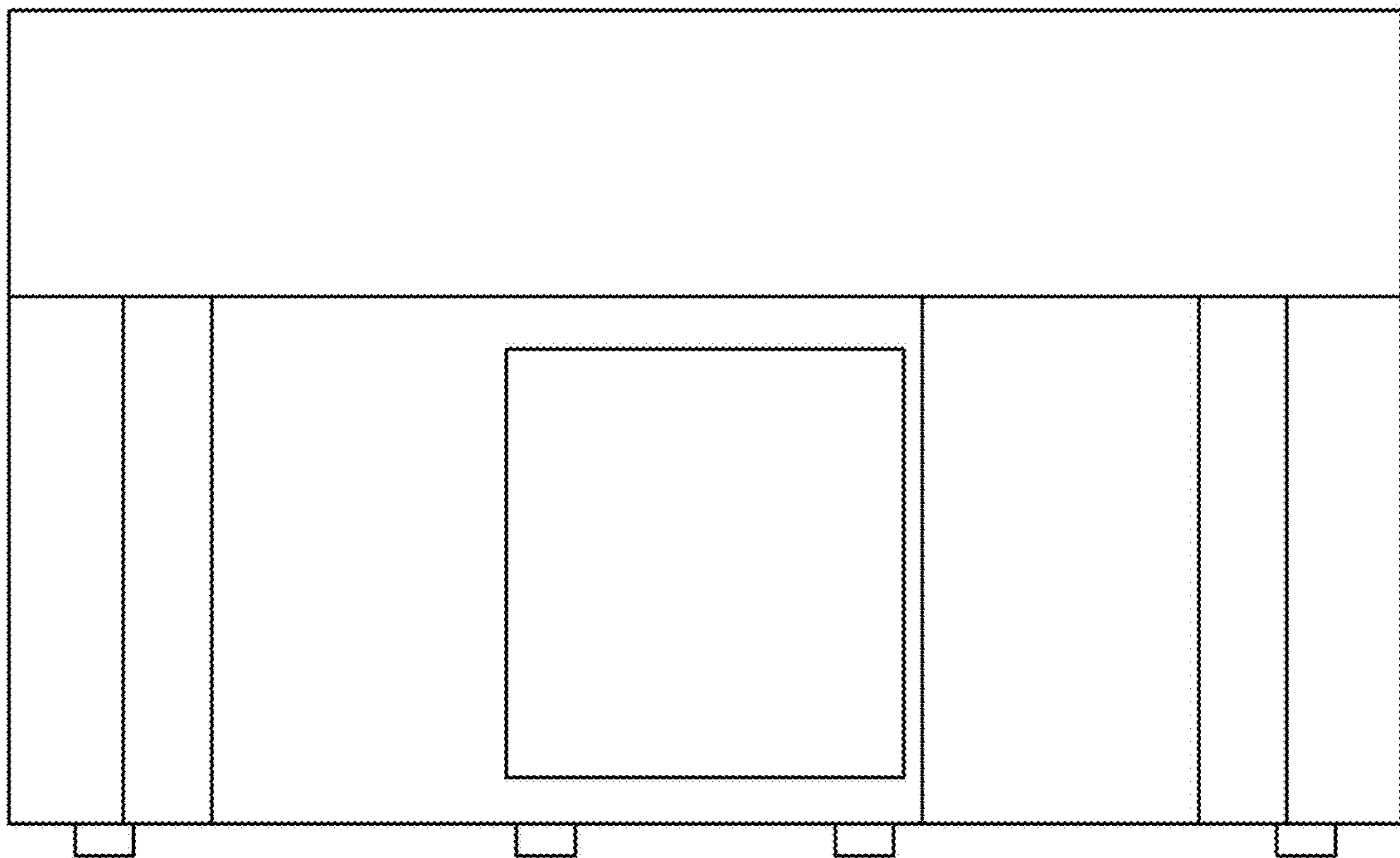
1.5



1.6



1.7



1.8

