



US00D936961S

(12) **United States Design Patent** (10) **Patent No.:** **US D936,961 S**  
**Northern et al.** (45) **Date of Patent:** **\*\* \*Nov. 30, 2021**

(54) **MEDICATION ADMINISTRATION CONTROL DEVICE**  
(71) Applicant: **Medcap Inc.**, Phoenix, AZ (US)  
(72) Inventors: **Kendall Northern**, Phoenix, AZ (US); **Robert Sassman**, Queen Creek, AZ (US)  
(73) Assignee: **MEDCAP INC.**, Phoenix, AZ (US)  
(\* ) Notice: This patent is subject to a terminal disclaimer.  
(\*\*) Term: **15 Years**  
(21) Appl. No.: **29/683,075**  
(22) Filed: **Mar. 11, 2019**  
(51) **LOC (13) Cl.** ..... **03-01**  
(52) **U.S. Cl.**  
USPC ..... **D3/203.1**  
(58) **Field of Classification Search**  
USPC ..... D3/203.1-203.4; D24/186, 107, 108; D9/690, 537, 549  
CPC ..... B65D 83/00; A61J 7/00; A61J 7/04; A61J 7/0409; A61J 7/0076; A61J 3/00; A61M 2205/33  
See application file for complete search history.

(56) **References Cited**  
U.S. PATENT DOCUMENTS  
D291,120 S \* 7/1987 Schuster ..... D24/226  
4,962,491 A \* 10/1990 Schaeffer ..... A61J 7/0481 221/15  
4,975,842 A \* 12/1990 Darrow ..... G06F 19/322 128/923  
D390,666 S \* 2/1998 Lagerlof ..... D24/186  
D399,050 S \* 10/1998 Evans ..... D3/203.2  
D420,446 S \* 2/2000 Kehr ..... D24/186

6,324,123 B1 \* 11/2001 Durso ..... A61J 7/0481 221/15  
D452,012 S \* 12/2001 Phillips ..... D24/186  
D453,830 S \* 2/2002 McDowell ..... D24/108  
D472,630 S \* 4/2003 Douglas ..... D24/108  
6,936,035 B2 \* 8/2005 Rake ..... A61M 5/14216 604/246  
7,158,011 B2 \* 1/2007 Brue ..... A61J 7/0481 340/309.16  
D579,542 S \* 10/2008 Ranalletta ..... D24/108  
D630,949 S \* 1/2011 Lim ..... D9/690  
7,907,477 B2 \* 3/2011 Puzia ..... A61J 7/0472 215/230  
D642,690 S \* 8/2011 Altmann ..... D24/186  
D657,691 S \* 4/2012 Lim ..... D9/690  
D658,298 S \* 4/2012 Prpa ..... D24/186  
8,152,020 B2 \* 4/2012 Flowers ..... G07F 17/0092 221/2  
D677,793 S \* 3/2013 Prpa ..... D24/186  
D677,794 S \* 3/2013 Prpa ..... D24/186  
D679,818 S \* 4/2013 Prpa ..... D24/186  
D691,897 S \* 10/2013 Jung ..... D9/690

(Continued)

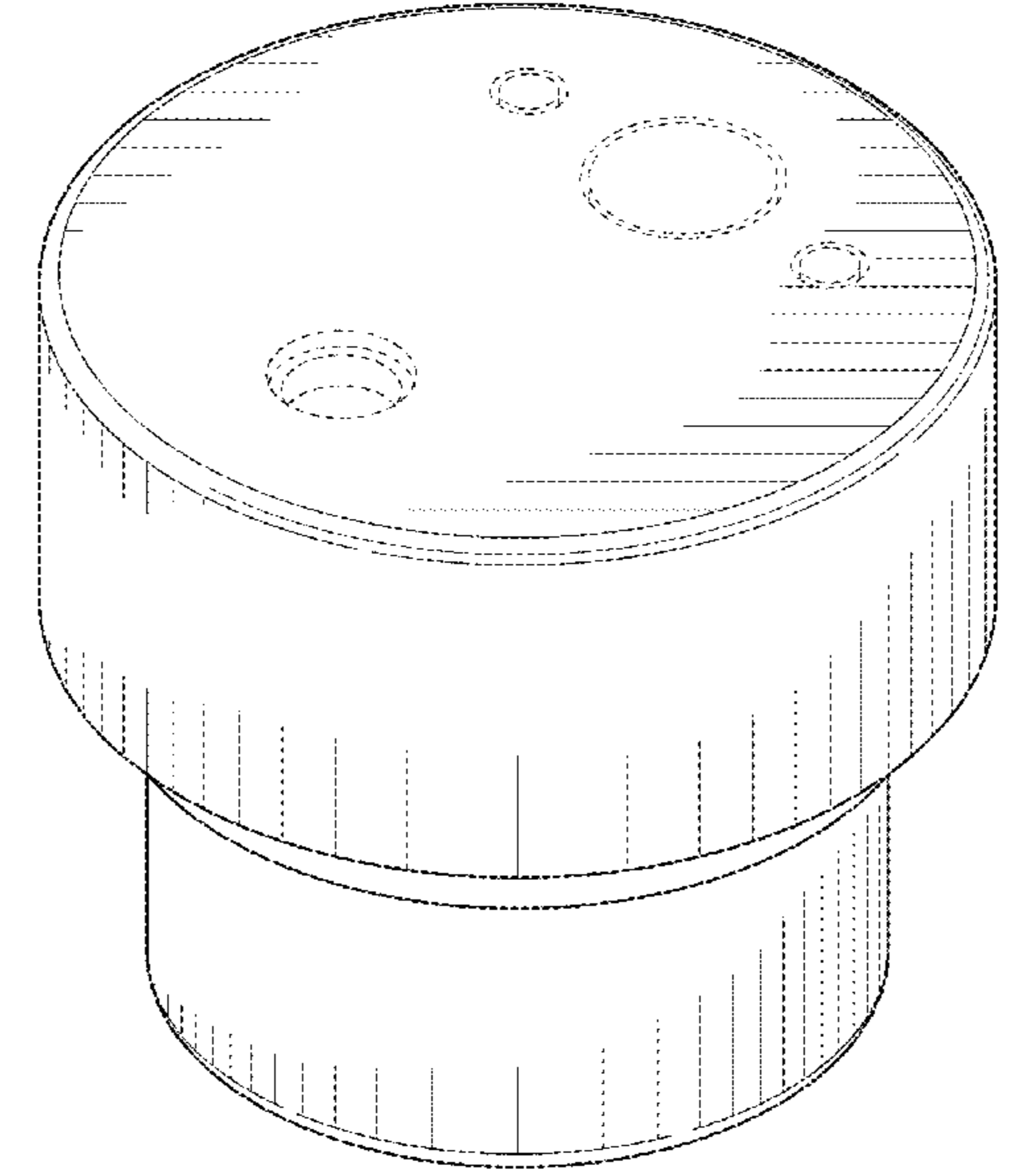
*Primary Examiner* — Steven J Cxyz  
(74) *Attorney, Agent, or Firm* — Flener IP & Business Law; Zareefa B. Flener; Ayhan E. Mertogul

(57) **CLAIM**  
The ornamental design for a medication administration control device, as shown and described.

**DESCRIPTION**

FIG. 1 is a perspective view of a medication administration control device showing our new design; FIG. 2 is a side view of the design of FIG. 1, wherein the side view is the same from all the sides; FIG. 3 is a top plan view of the design of FIG. 1; and, FIG. 4 is a bottom plan view of the design of FIG. 1. The broken lines in the drawings depict portions of the medication administration control device that form no part of the claim.

**1 Claim, 3 Drawing Sheets**



(56)

**References Cited**

## U.S. PATENT DOCUMENTS

8,690,838 B2 \* 4/2014 Ozawa ..... A61M 37/0015  
604/264  
D721,284 S \* 1/2015 Yeo ..... D9/684  
D750,885 S \* 3/2016 Chazel ..... D3/203.2  
D756,799 S \* 5/2016 Moretti ..... D9/503  
D757,562 S \* 5/2016 Jung ..... D9/690  
D779,811 S \* 2/2017 Van Lanschot ..... D3/203.3  
9,597,262 B2 \* 3/2017 Morgan ..... A61J 7/0418  
D786,692 S \* 5/2017 Kim ..... D9/690  
D796,115 S \* 8/2017 Kuitto ..... D28/10  
D806,380 S \* 1/2018 Hines ..... D3/203.2  
9,870,450 B2 \* 1/2018 Blackburn ..... A61J 7/0076  
9,984,213 B2 \* 5/2018 Howieson ..... A61J 7/0076  
D826,549 S \* 8/2018 Lospinoso ..... D3/203.1  
10,064,788 B2 \* 9/2018 Poddar ..... A61J 1/03  
D850,781 S \* 6/2019 Danopoulos ..... D3/203.1  
D852,589 S \* 7/2019 Bertsch ..... D7/629  
D854,310 S \* 7/2019 Xie ..... D3/203.1  
10,421,595 B2 \* 9/2019 Wondka ..... B65D 81/3205  
D864,774 S \* 10/2019 Lei ..... D10/81  
10,470,976 B2 \* 11/2019 Warden ..... B65D 41/04

\* cited by examiner

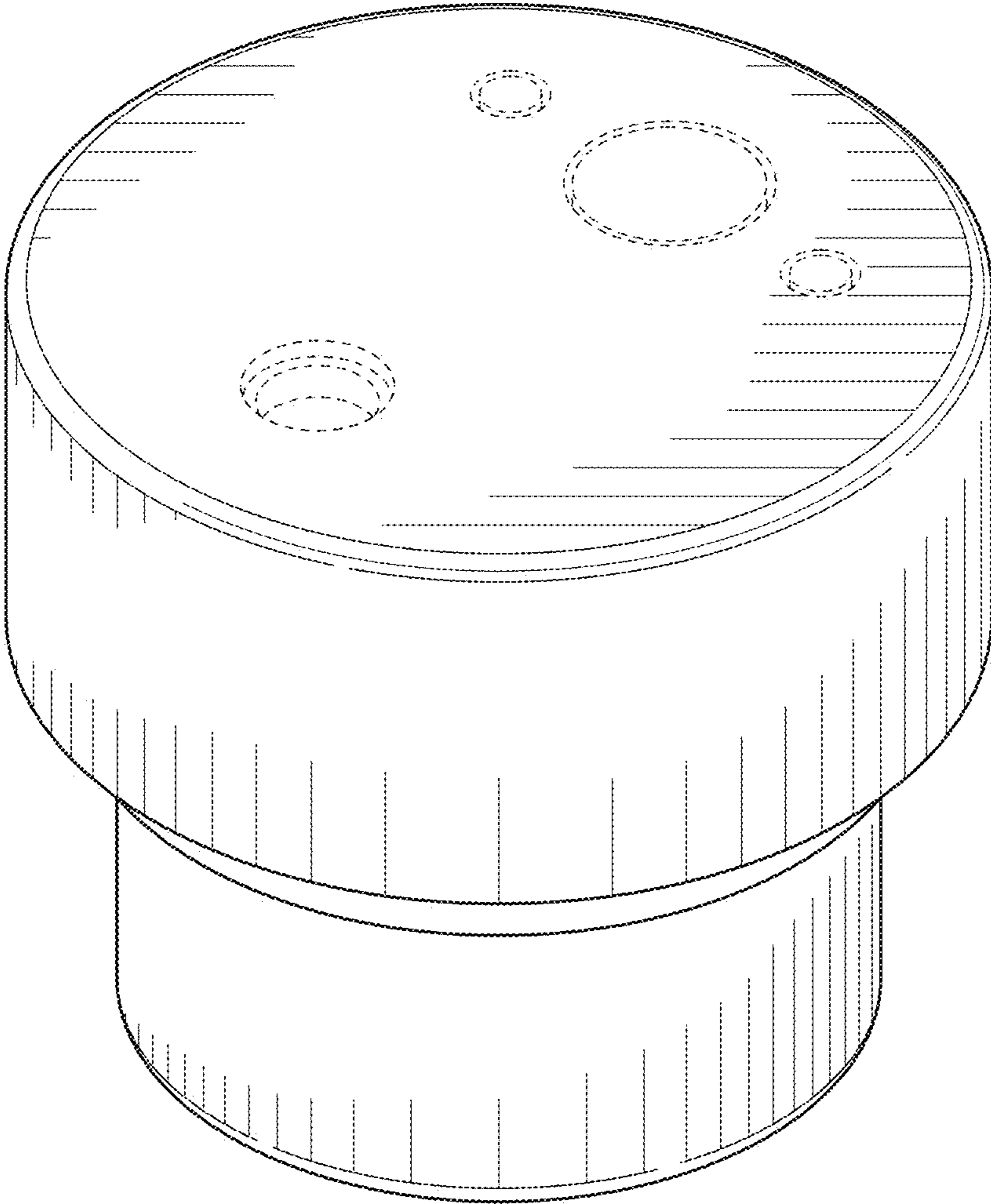


FIG. 1

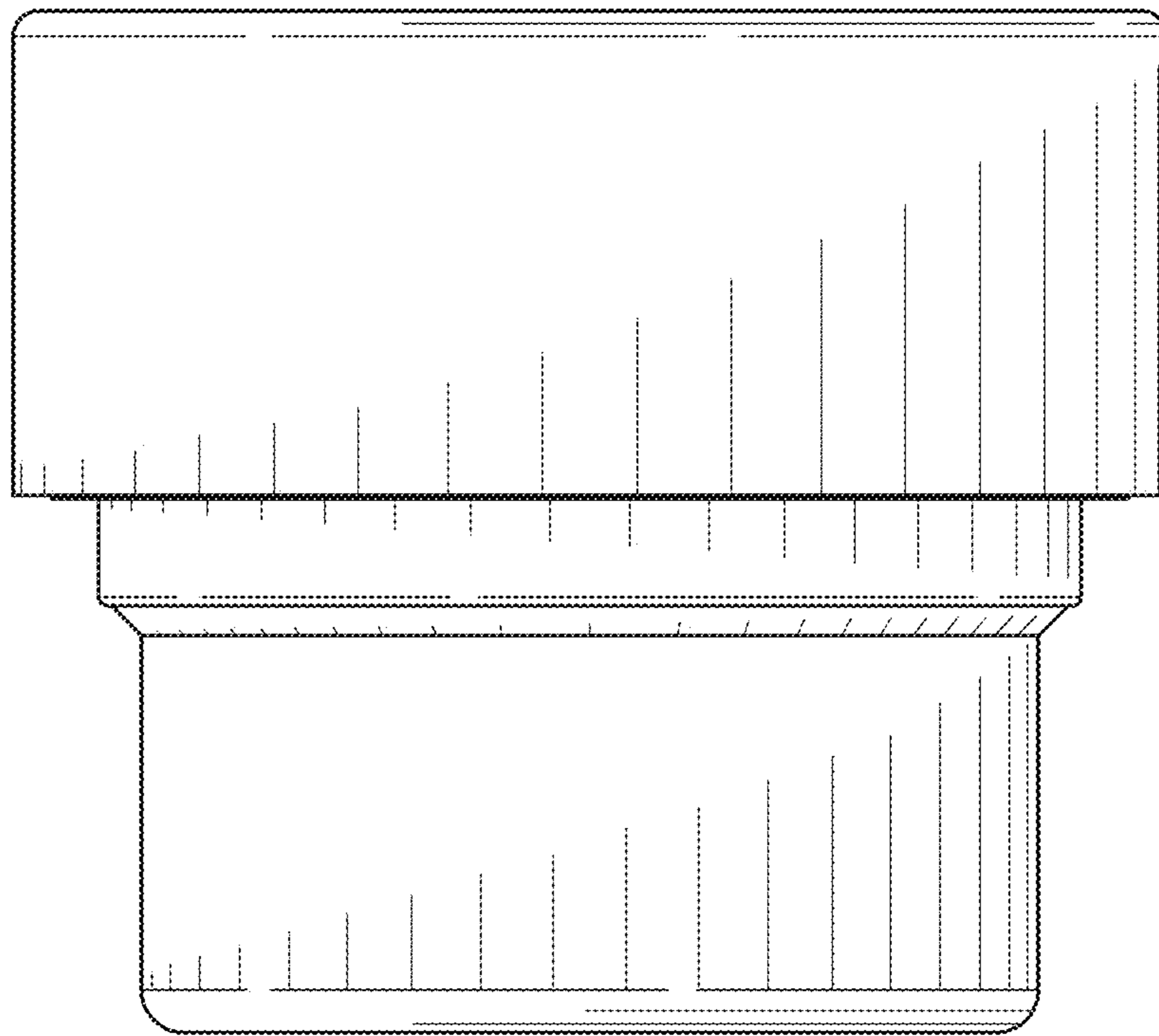


FIG. 2

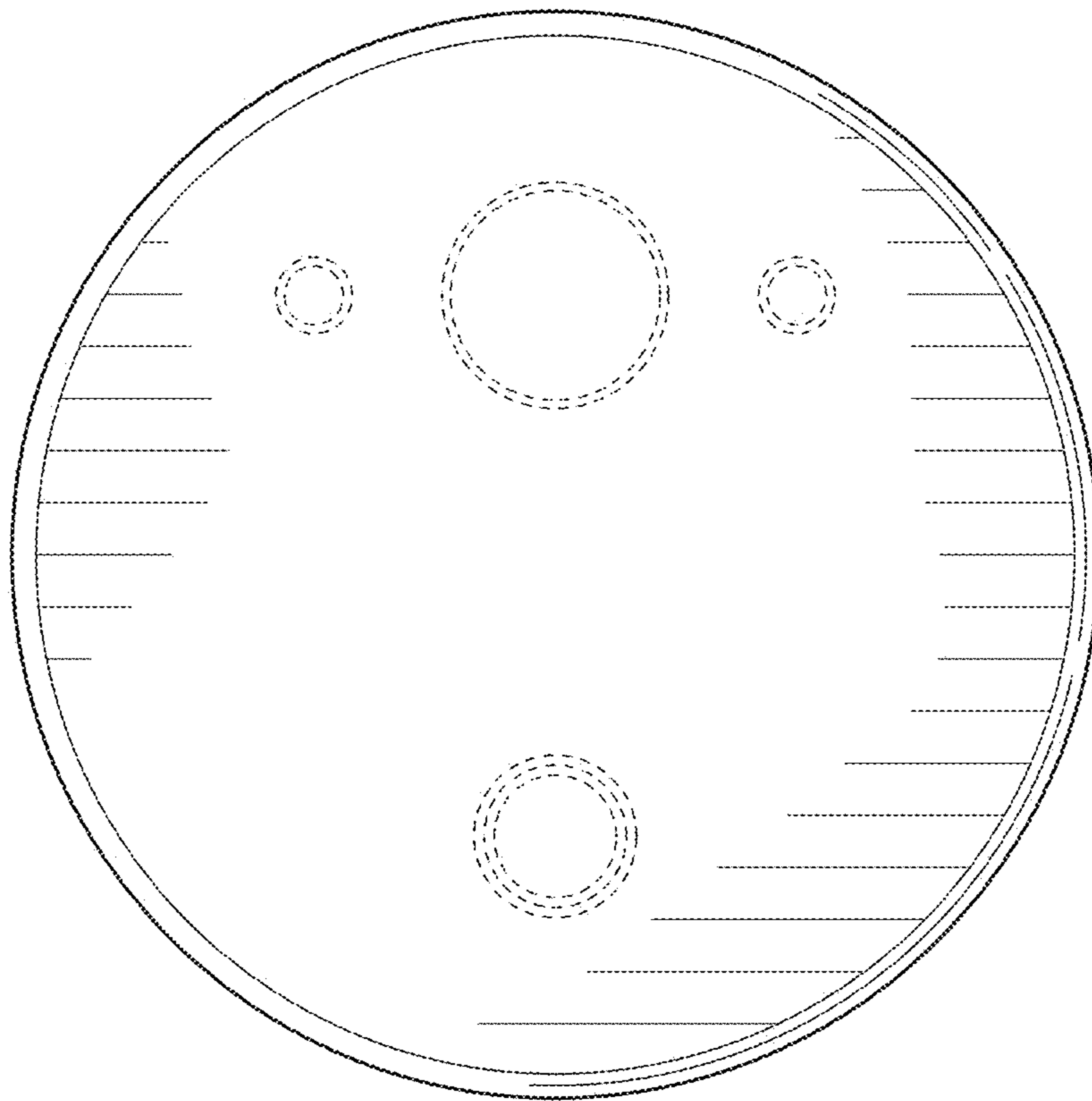


FIG. 3

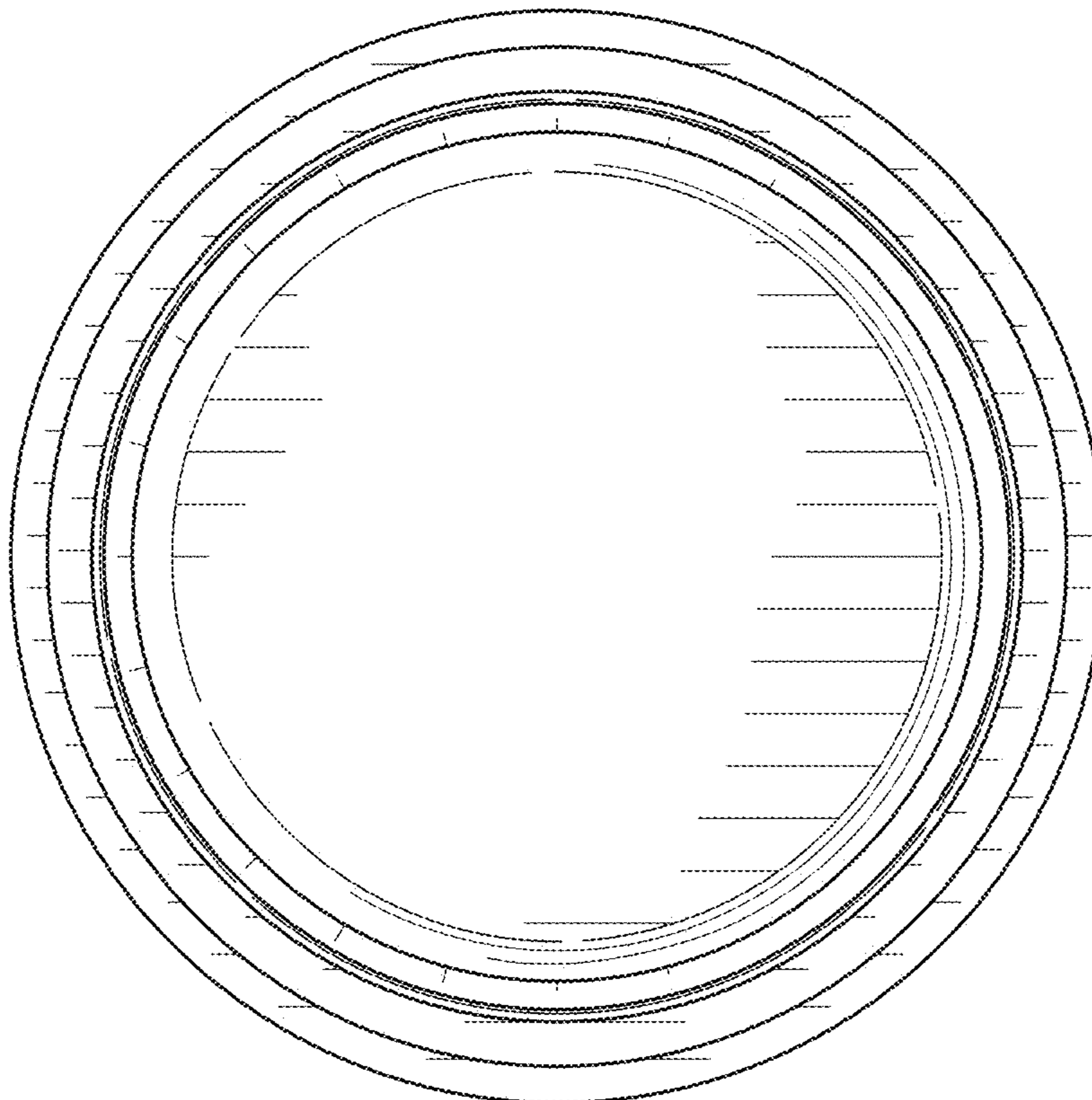


FIG. 4