



US00D936960S

(12) **United States Design Patent**
Sun

(10) **Patent No.:** **US D936,960 S**

(45) **Date of Patent:** **** Nov. 30, 2021**

(54) **COLLAPSIBLE BAG**

(71) Applicant: **Wenjing Sun**, Shenzhen (CN)

(72) Inventor: **Wenjing Sun**, Shenzhen (CN)

(**) Term: **15 Years**

(21) Appl. No.: **29/751,284**

(22) Filed: **Sep. 20, 2020**

(51) **LOC (13) Cl.** **03-01**

(52) **U.S. Cl.**
USPC **D3/201**

(58) **Field of Classification Search**
USPC D3/201, 263, 265, 289, 301, 905
CPC B65D 85/38; B65D 2575/329
See application file for complete search history.

(56) **References Cited**

U.S. PATENT DOCUMENTS

| | | | | | |
|-----------|-----|---------|------------|-------|---------------------------|
| 3,565,325 | A * | 2/1971 | Pugsley | | B65D 5/3628 229/117.05 |
| D261,076 | S * | 10/1981 | Chernoff | | D3/290 |
| D277,904 | S * | 3/1985 | Rabinowitz | | D3/290 |
| D303,499 | S * | 9/1989 | Cueva | | D9/414 |
| D367,208 | S * | 2/1996 | McConnell | | D3/303 |
| D413,723 | S * | 9/1999 | Quansah | | D3/233 |
| 6,149,025 | A * | 11/2000 | Wang | | B65D 37/00 220/6 |
| D487,347 | S * | 3/2004 | Felsenthal | | D3/305 |
| D531,458 | S * | 11/2006 | Lown | | B65D 33/08 D7/605 |
| D587,010 | S * | 2/2009 | Deck | | D3/246 |
| D708,837 | S * | 7/2014 | Lee | | D3/201 |

| | | | | |
|----------|-----|--------|---------|--------------|
| D808,154 | S | 1/2018 | Romano | |
| D850,787 | S | 6/2019 | Sew | |
| D885,746 | S * | 6/2020 | Evancho | D3/201 |

* cited by examiner

Primary Examiner — Holly E Thurman

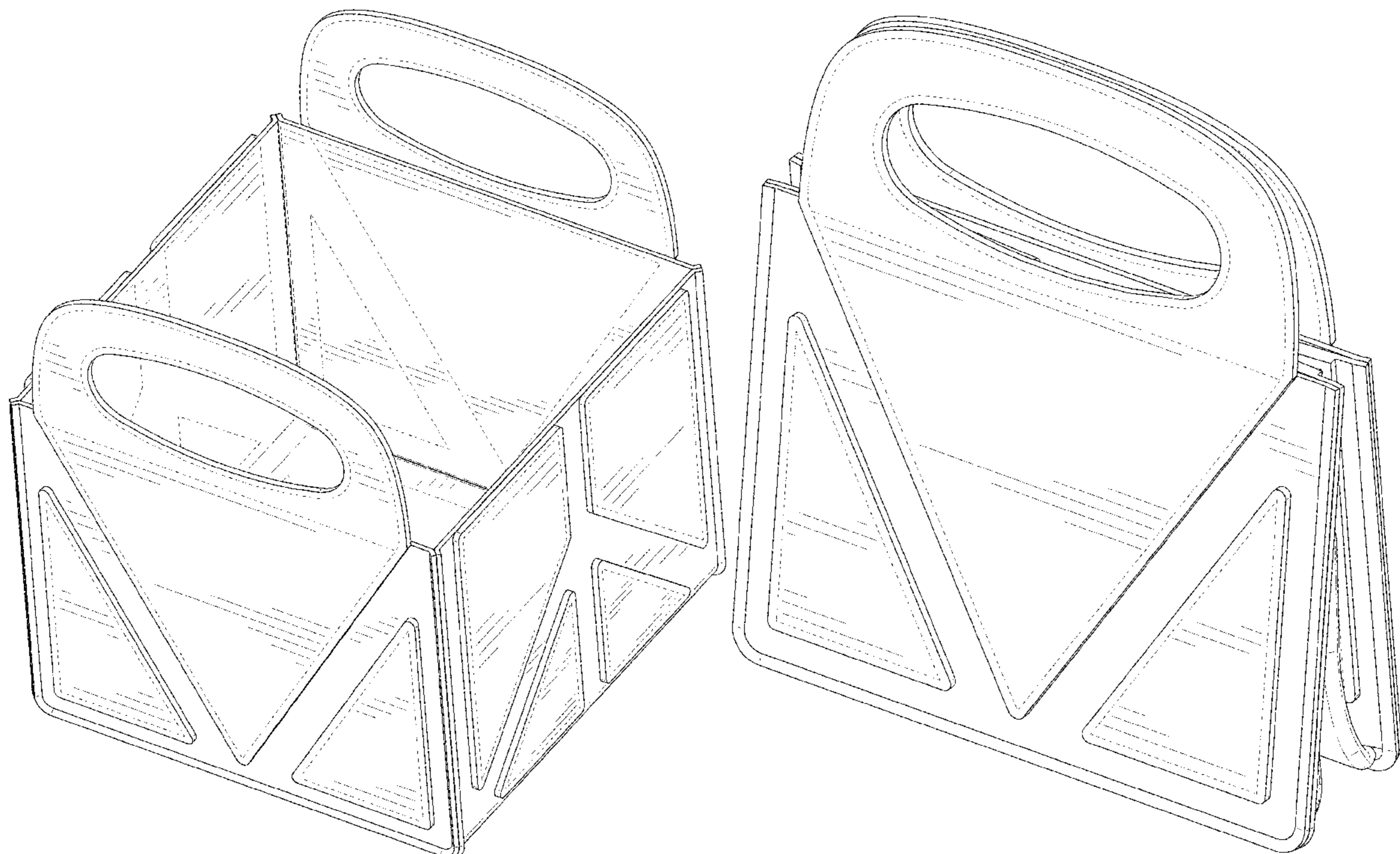
(57) **CLAIM**

The ornamental design for a collapsible bag, as shown and described.

DESCRIPTION

FIG. 1 is a perspective view of a collapsible bag showing my new design;
 FIG. 2 is another perspective view thereof;
 FIG. 3 is a front elevational view thereof;
 FIG. 4 is a rear elevational view thereof;
 FIG. 5 is a left side elevational view thereof;
 FIG. 6 is a right side elevational view thereof;
 FIG. 7 is a top plan view thereof;
 FIG. 8 is a bottom plan view thereof;
 FIG. 9 is a perspective view of a collapsible bag showing my new design where the collapsible bag is in a first configuration of use; and,
 FIG. 10 is a perspective view of the collapsible bag where the collapsible bag is in a second configuration of use.
 The broken lines in the drawings depict portions of the collapsible bag that form no part of the claimed design.

1 Claim, 10 Drawing Sheets



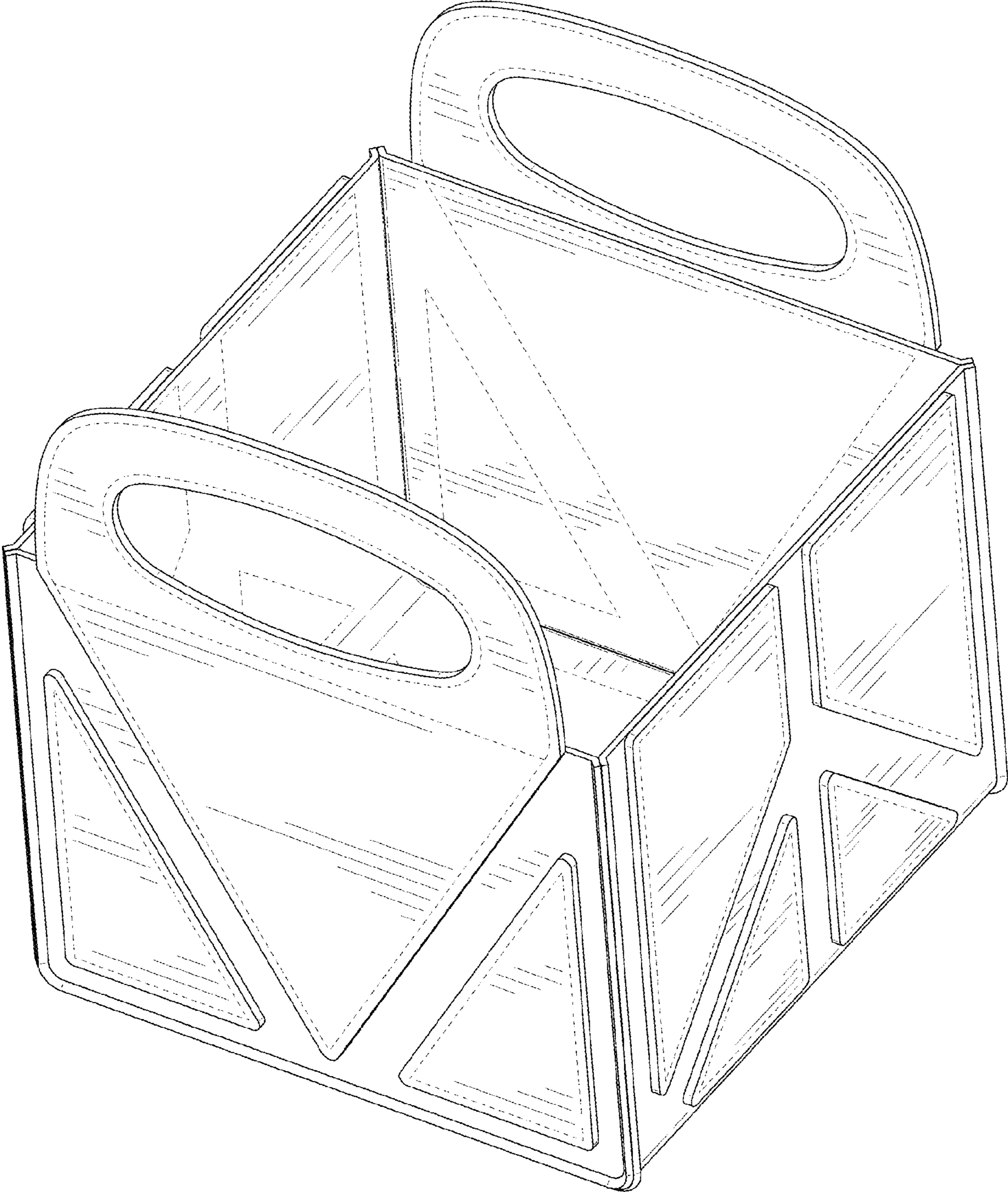


FIG. 1

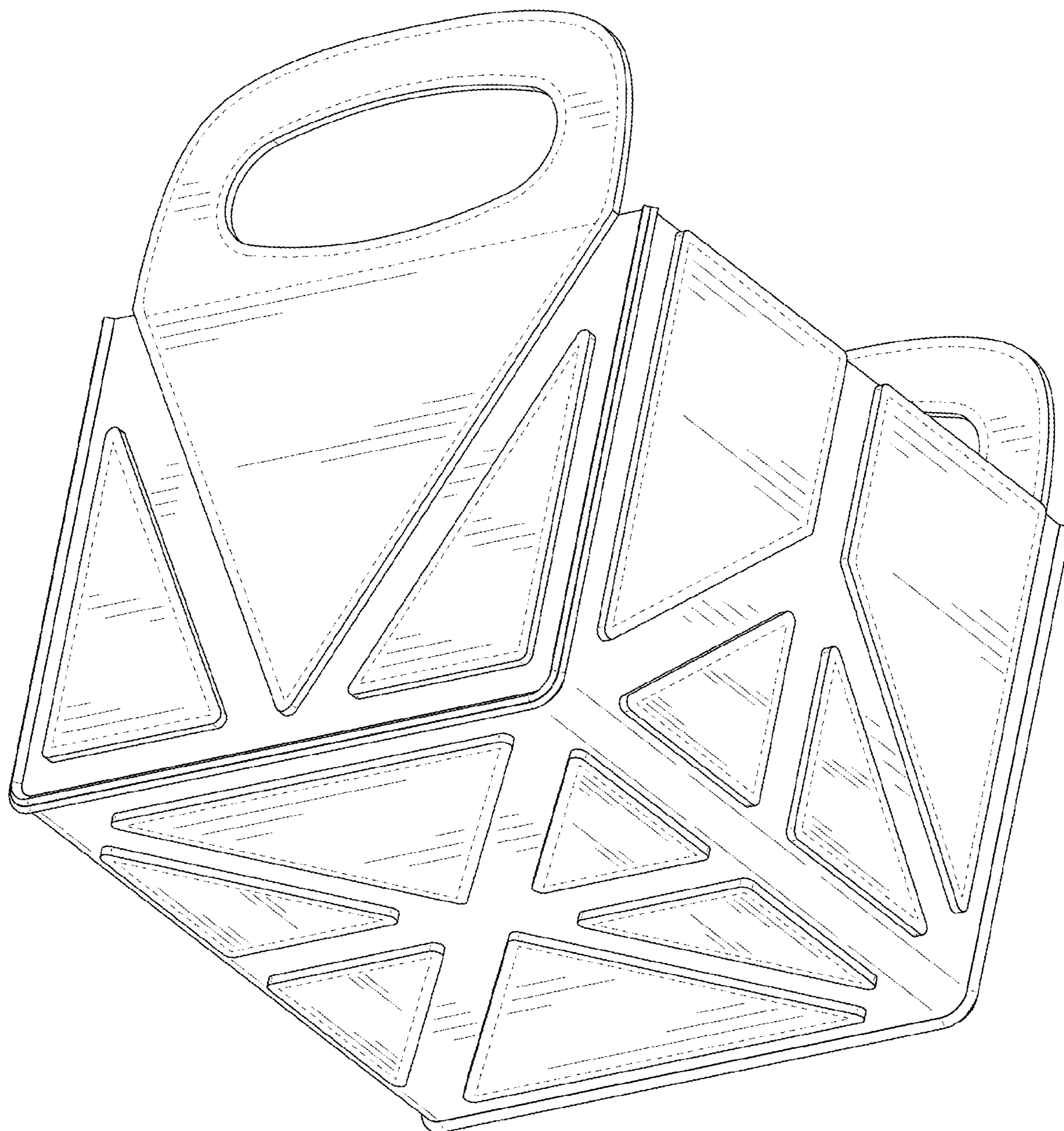


FIG. 2

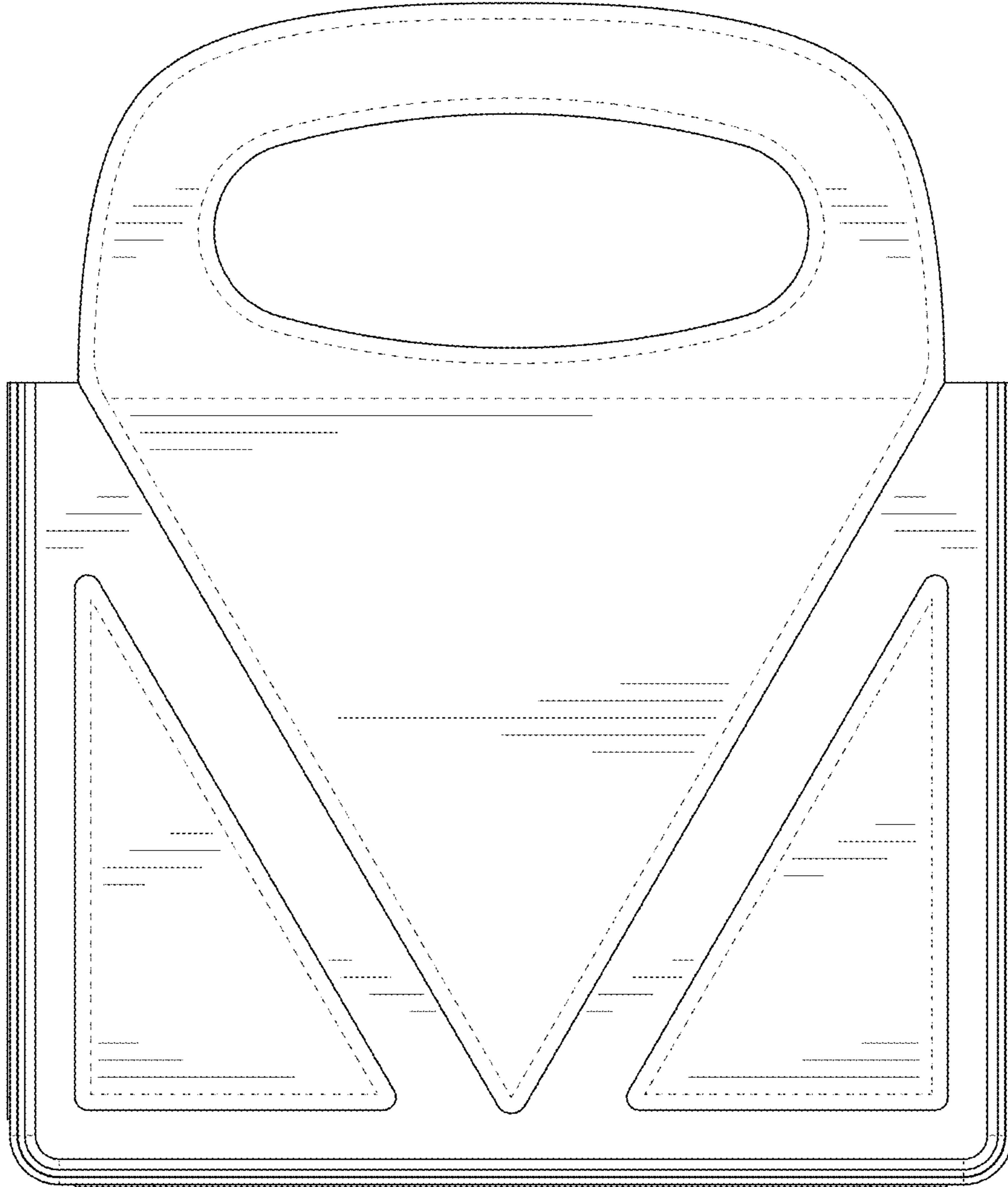


FIG. 3

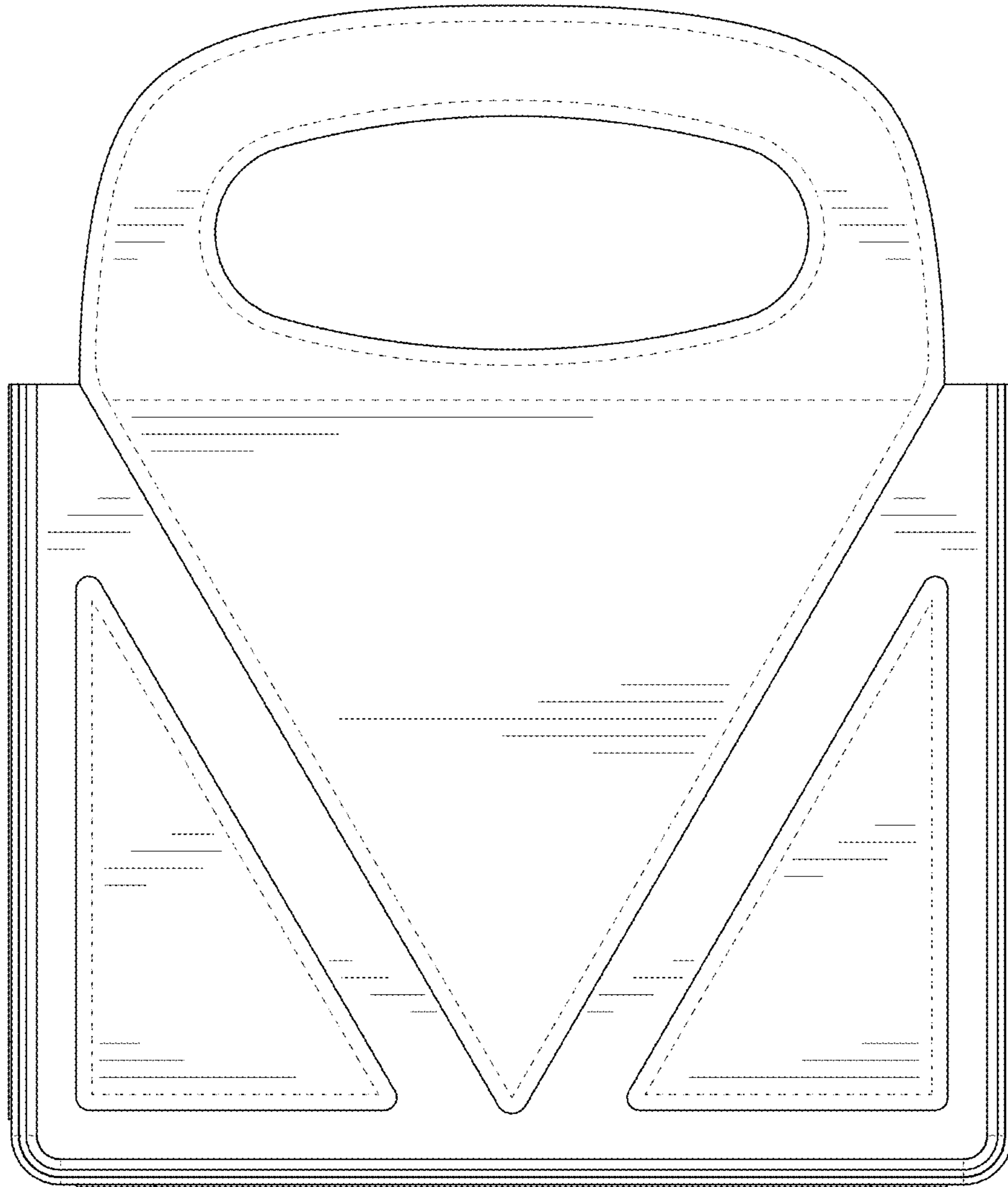


FIG. 4

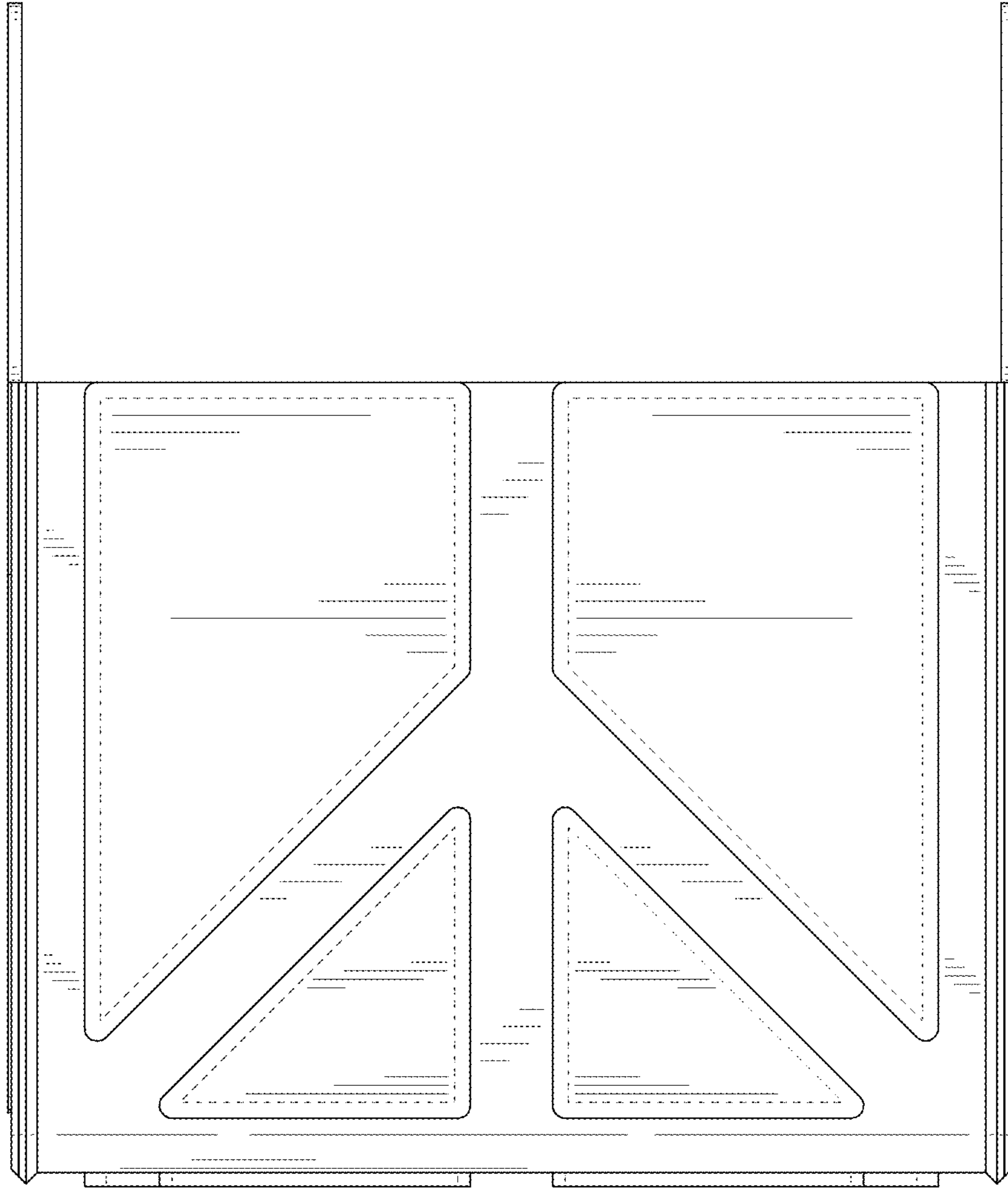


FIG. 5

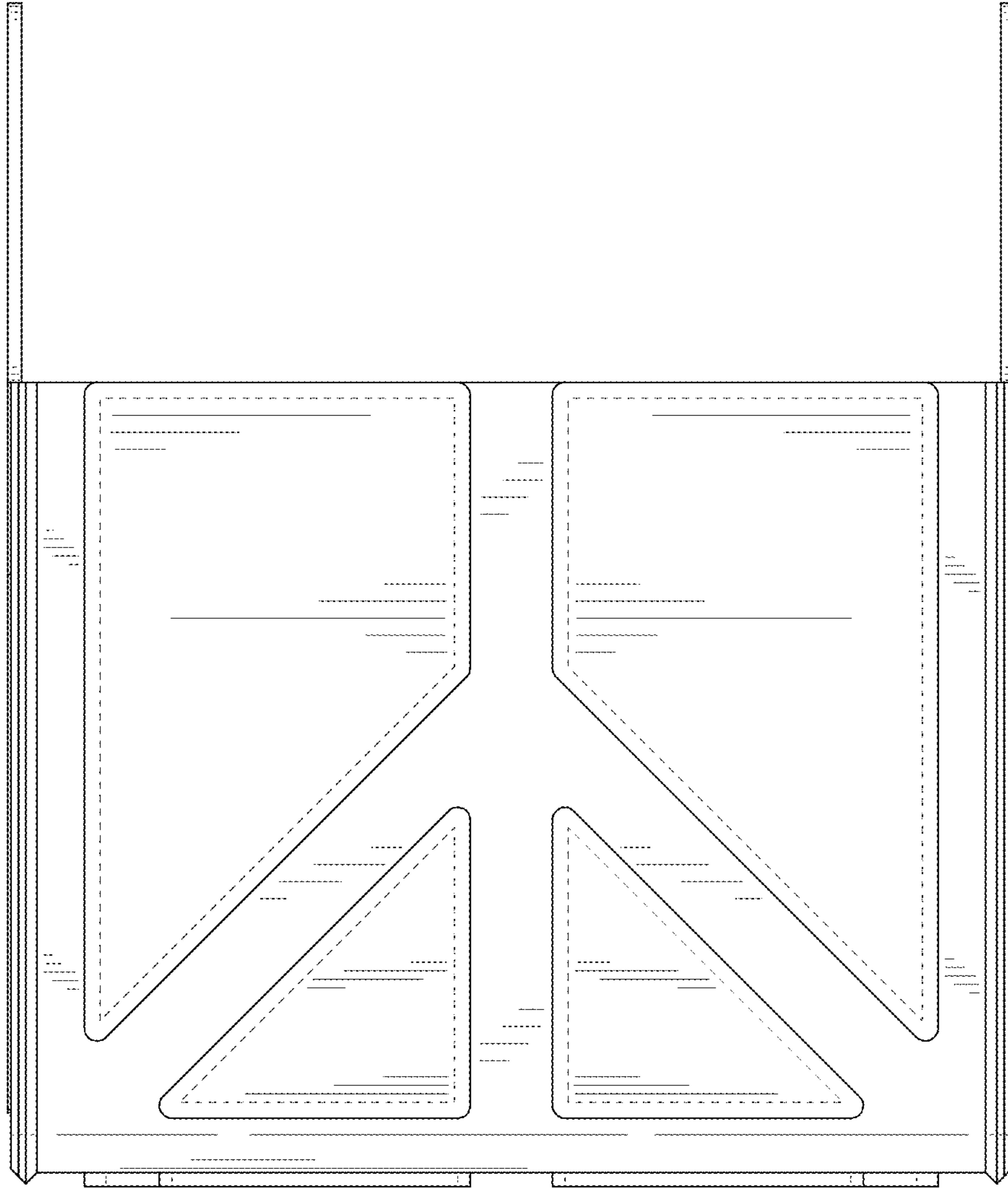


FIG. 6

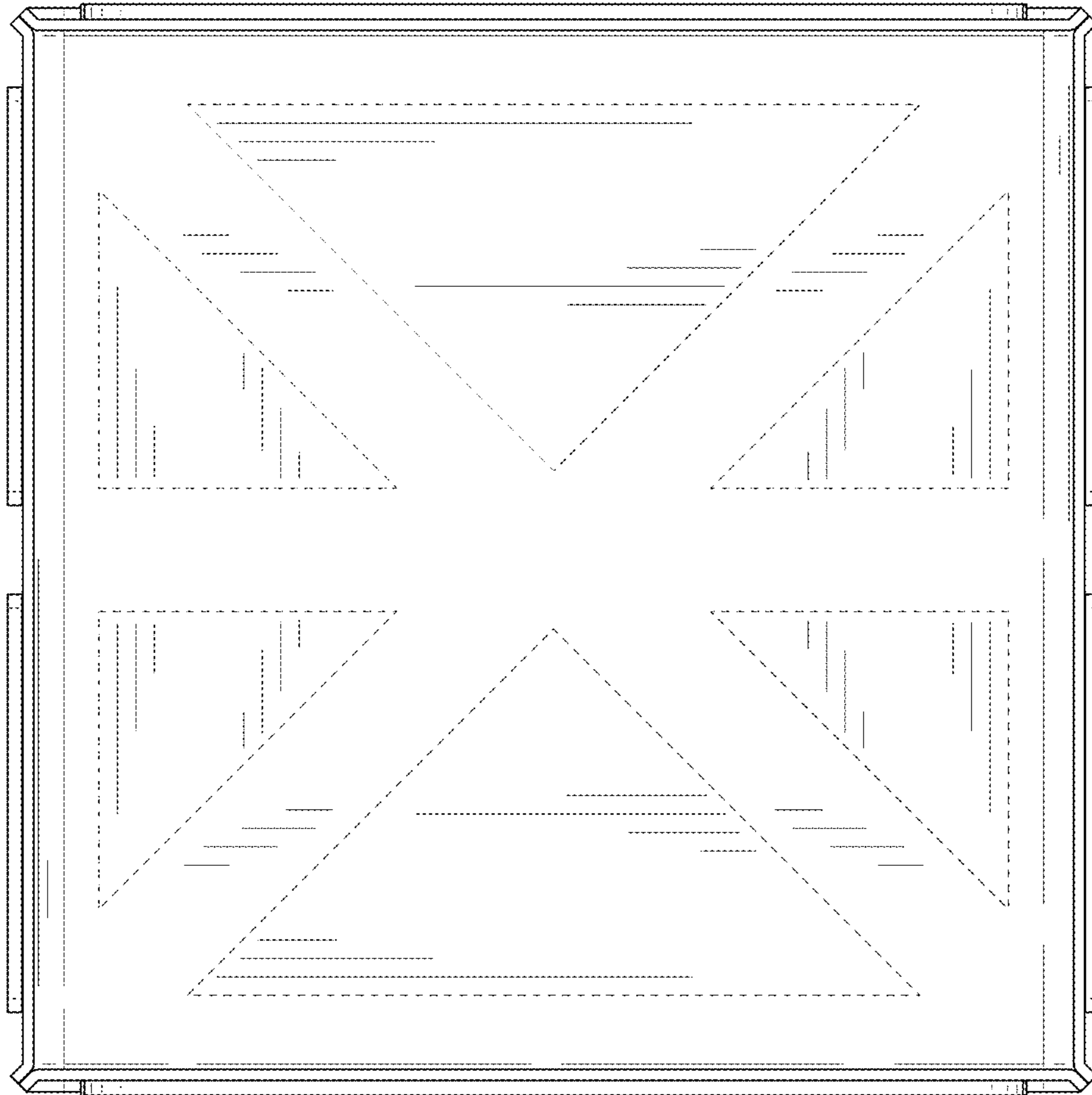


FIG. 7

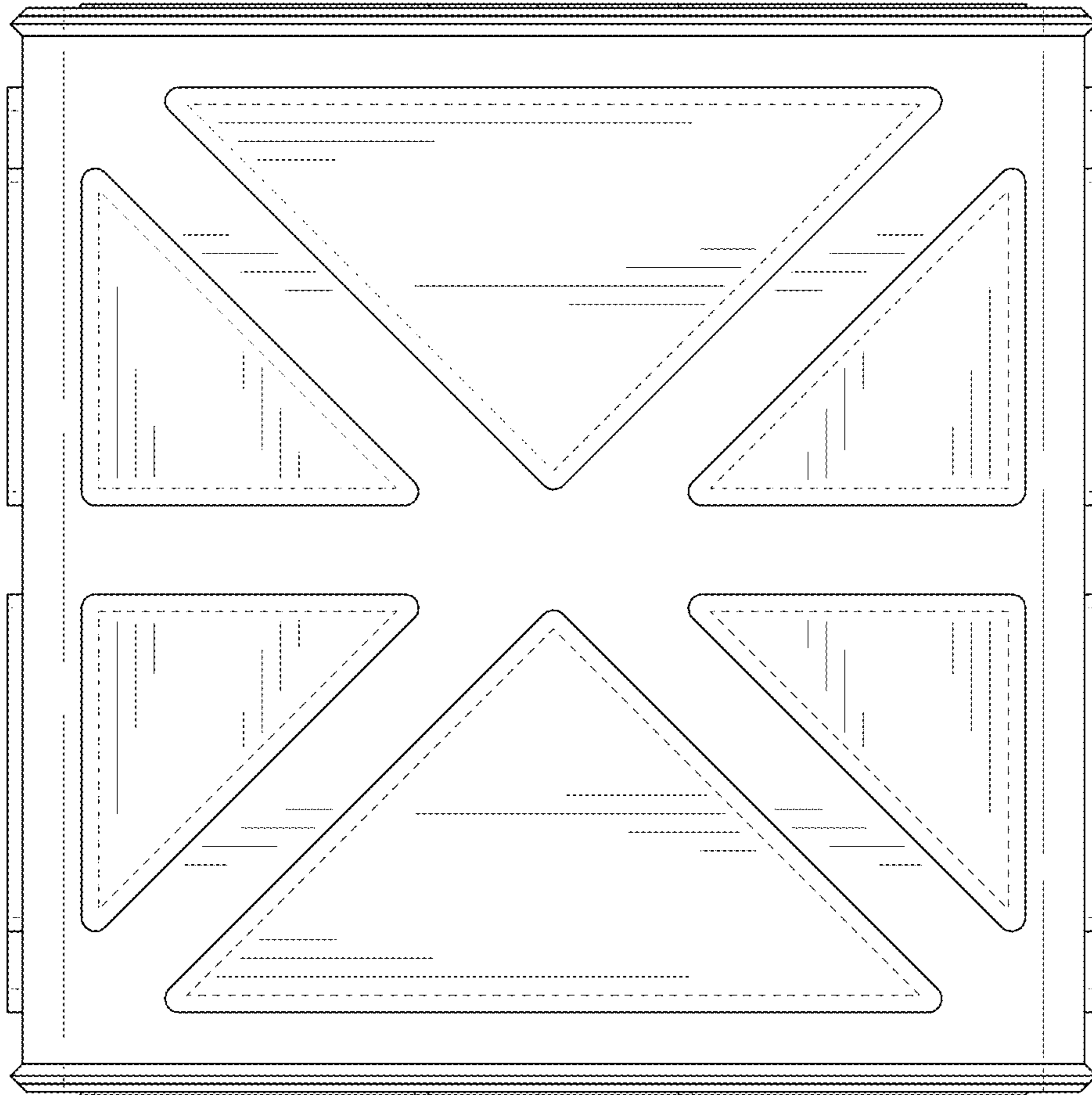


FIG. 8

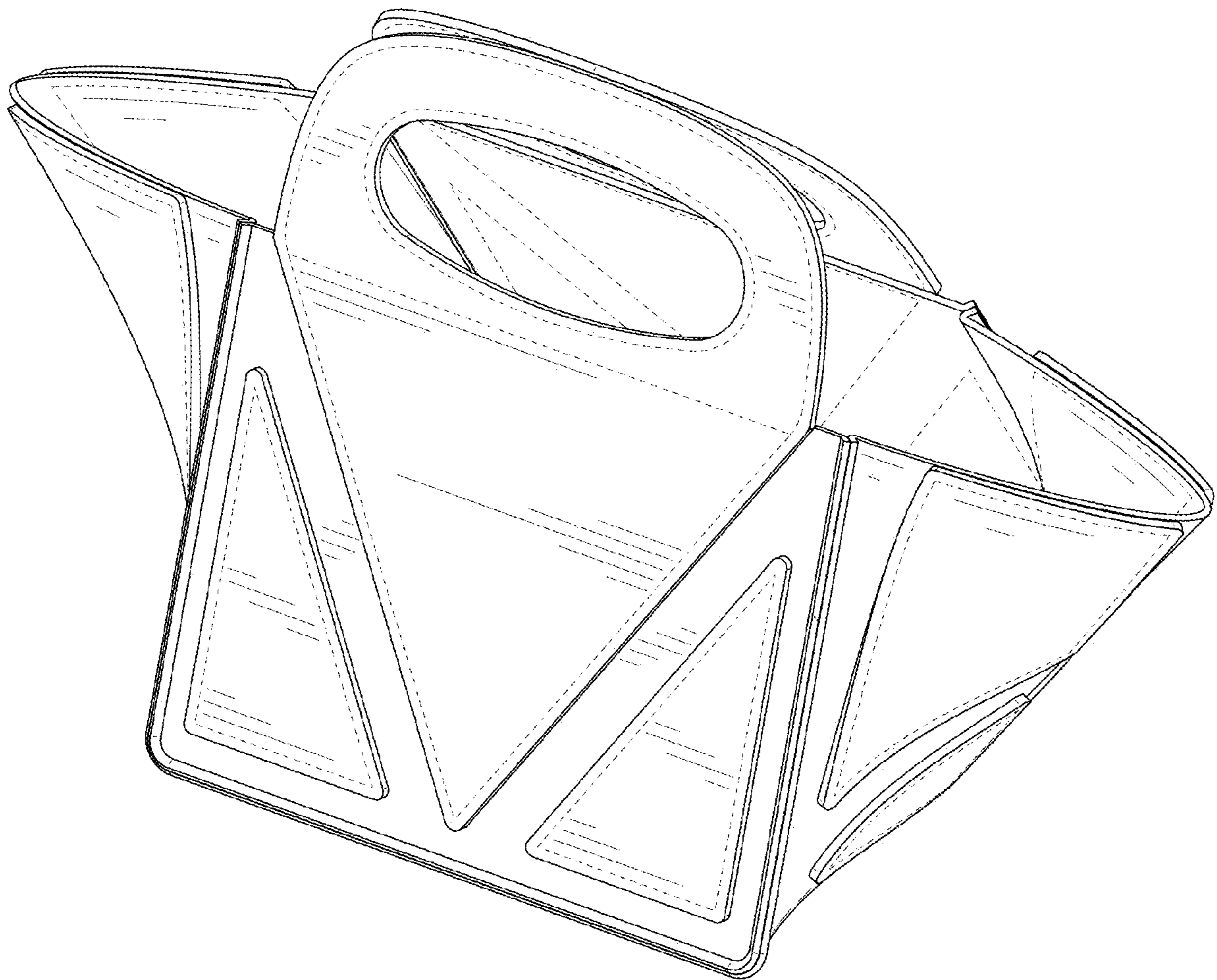


FIG. 9



FIG. 10