



US00D936957S

(12) **United States Design Patent**
Furick

(10) **Patent No.:** **US D936,957 S**

(45) **Date of Patent:** **** Nov. 30, 2021**

(54) **SHOELACE CLIP**

(71) Applicant: **Michael Furick**, Mooresville, NC (US)

(72) Inventor: **Michael Furick**, Mooresville, NC (US)

(**) Term: **15 Years**

(21) Appl. No.: **29/703,019**

(22) Filed: **Aug. 23, 2019**

(51) **LOC (13) Cl.** **02-07**

(52) **U.S. Cl.**

USPC **D2/978**; D2/976

(58) **Field of Classification Search**

USPC D2/902, 907, 908, 943-946, 969,
D2/972-974, 976-978; D28/39, 40, 42;
D11/40, 48, 75, 78; D21/386

CPC .. A43B 23/24; A43B 5/00; A43B 5/06; A43B
5/10; A43C 19/00; A43C 7/00; A43C
7/005; A43C 7/04; A43C 7/06; A43C
7/08; F16G 11/105

See application file for complete search history.

(56) **References Cited**

U.S. PATENT DOCUMENTS

2,612,135	A *	9/1952	Iny	A43B 3/30 116/170
2,869,204	A *	1/1959	Mopps	A43C 7/00 24/712.8
D292,442	S *	10/1987	Wadsworth	A43C 7/00 D2/976
6,311,699	B1 *	11/2001	Horman	A45D 8/24 132/273
D463,621	S *	9/2002	Tobin	A45D 8/24 D28/41
D473,456	S *	4/2003	Rodriguez, Jr.	D8/395

D735,987	S *	8/2015	Hsu	D2/978
D822,979	S *	7/2018	Wang	D2/976
D831,273	S *	10/2018	Sze	D28/40
D846,263	S *	4/2019	Lee	A45D 8/24 D2/978
D867,473	S *	11/2019	Fontaine	A43C 7/00 D21/498
D919,953	S *	5/2021	Dorn	A45D 8/06 D2/976
D926,457	S *	8/2021	Swanson	D2/978
D926,458	S *	8/2021	Swanson	D2/978
D926,459	S *	8/2021	Furick	D2/978
2020/0054095	A1 *	2/2020	McKenzie	A43C 7/04

* cited by examiner

Primary Examiner — Kevin K Rudzinski

Assistant Examiner — Clare Ann Gannon

(74) *Attorney, Agent, or Firm* — Trego, Hines & Ladenheim, PLLC

(57) **CLAIM**

I claim the ornamental design for a shoelace clip, as shown and described.

DESCRIPTION

FIG. 1 is a perspective view of a shoelace clip, showing my new design;

FIG. 2 is a rear elevational view thereof;

FIG. 3 is a front elevational view thereof;

FIG. 4 is a left side elevational view thereof;

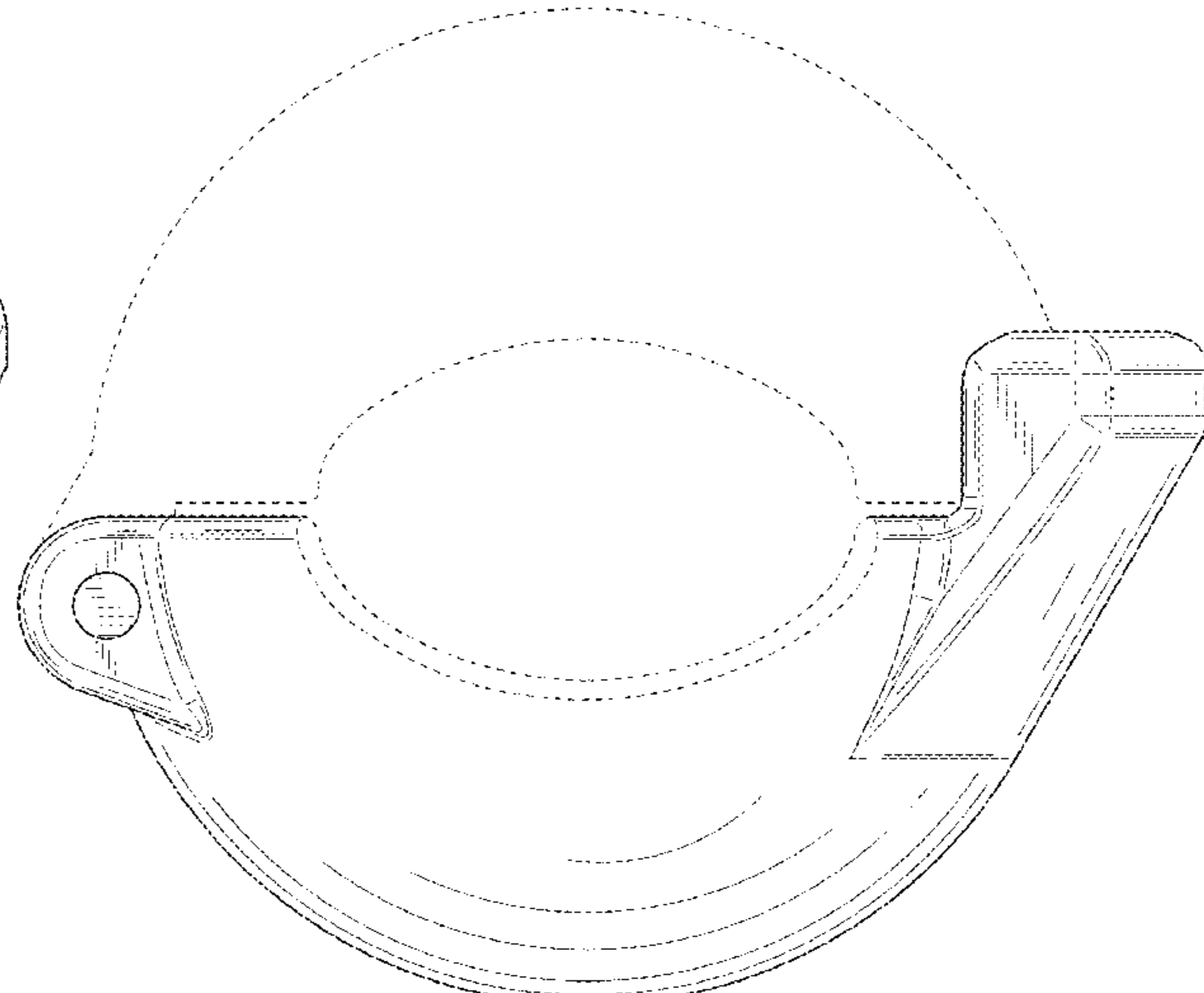
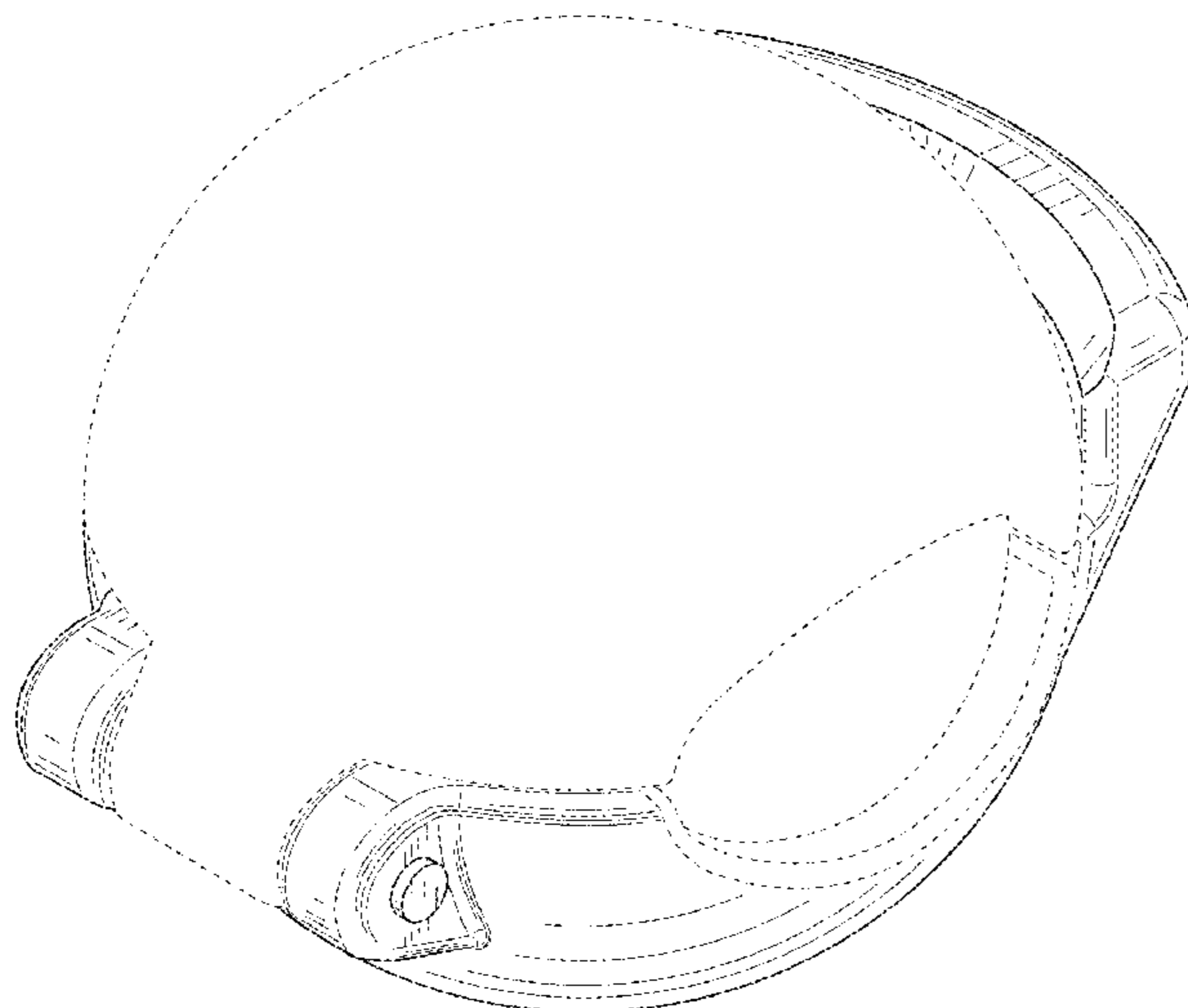
FIG. 5 is a right side elevational view thereof;

FIG. 6 is a top plan view thereof; and,

FIG. 7 is a bottom plan view thereof.

The broken lines shown in the figures are for environmental purposes only and form no part of the claimed design.

1 Claim, 7 Drawing Sheets



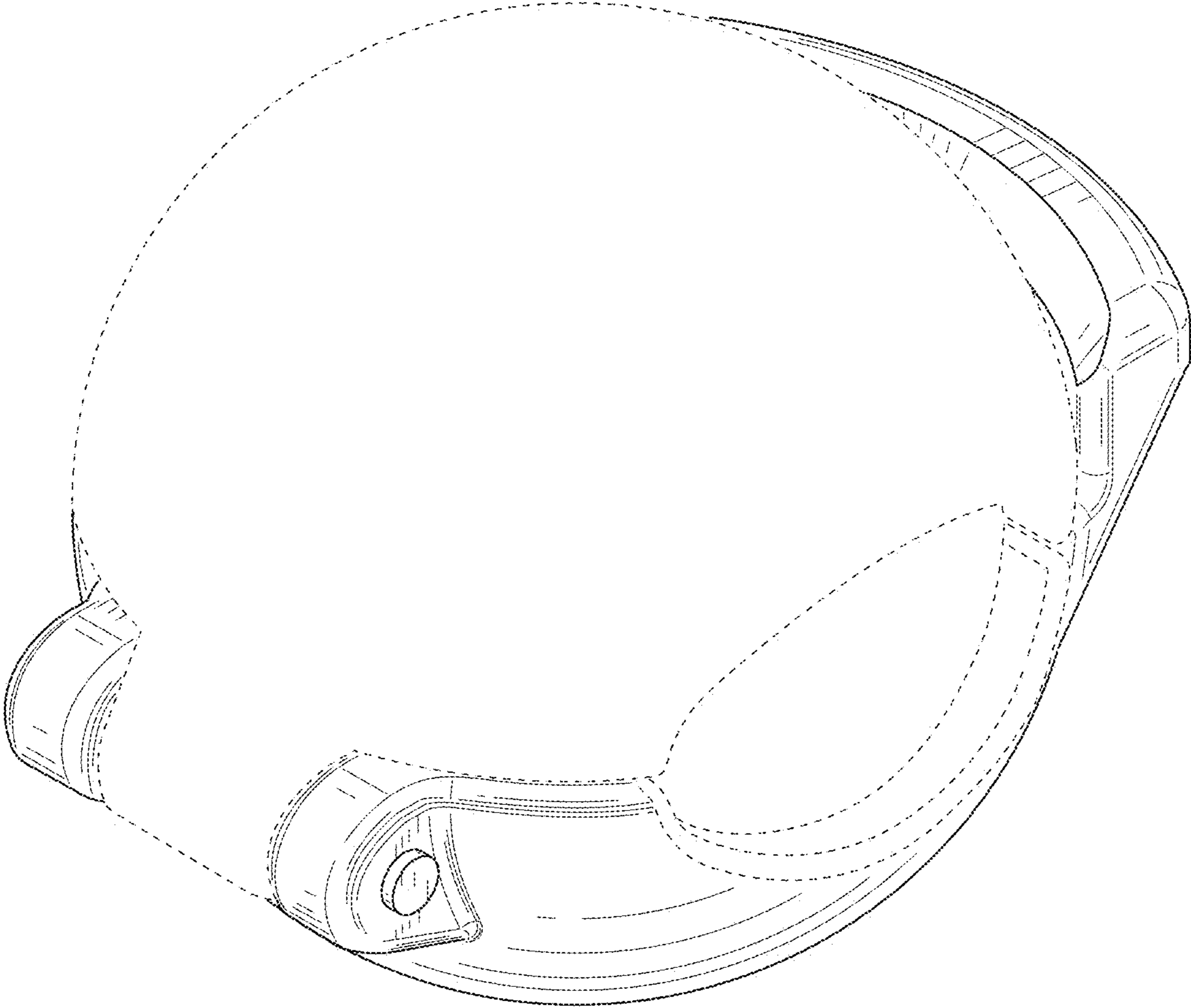


FIG. 1

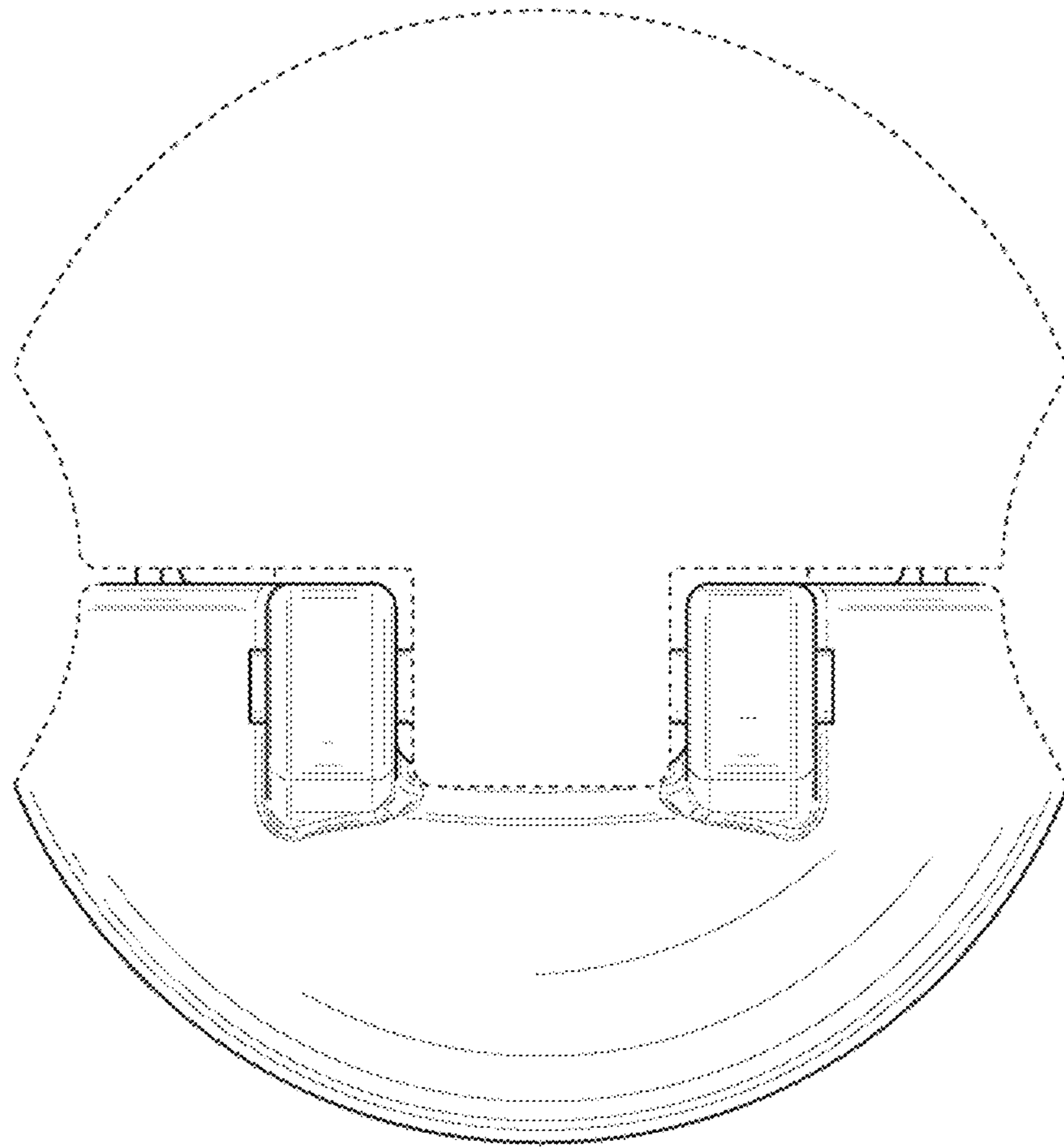


FIG. 2

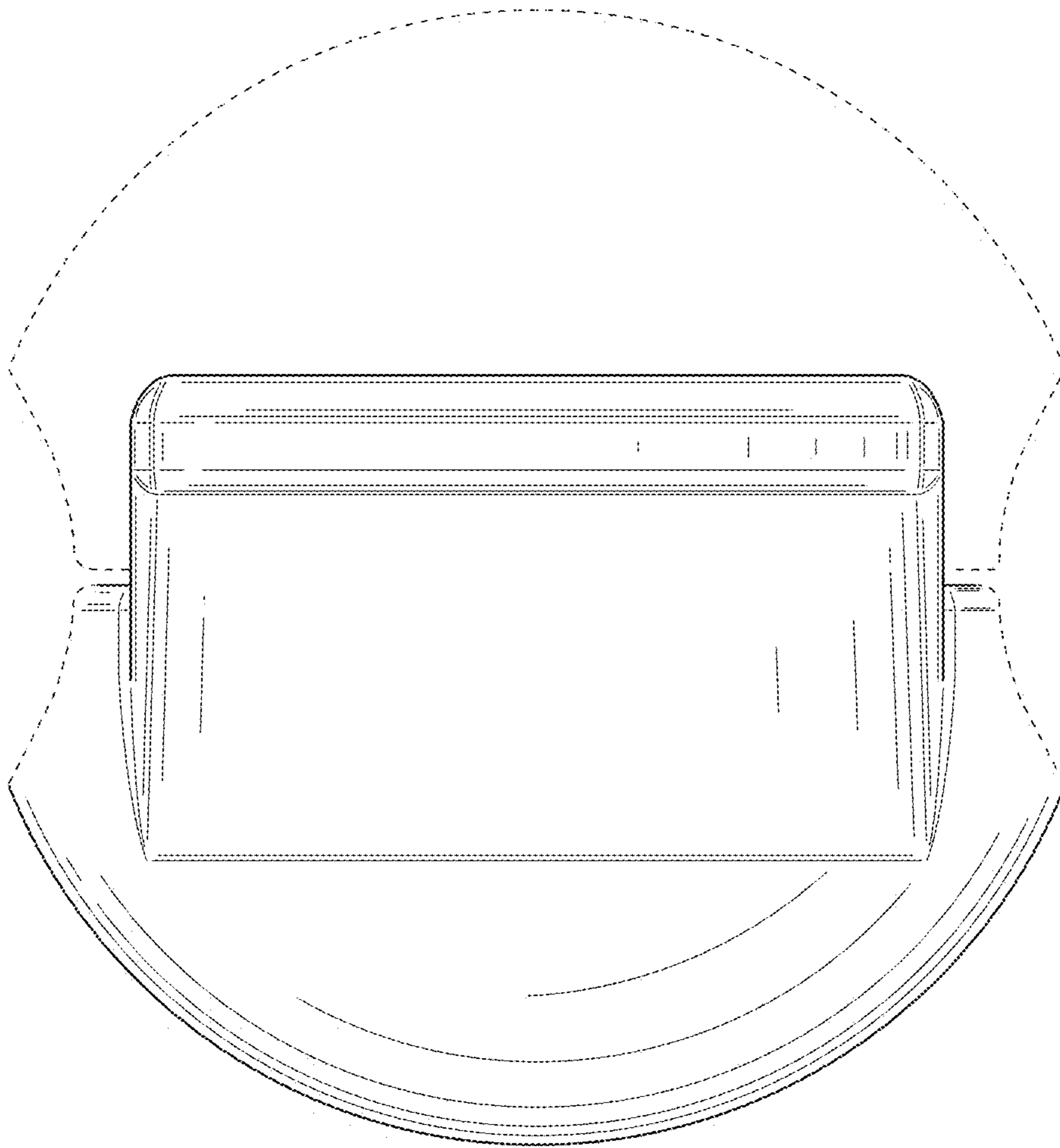


FIG. 3

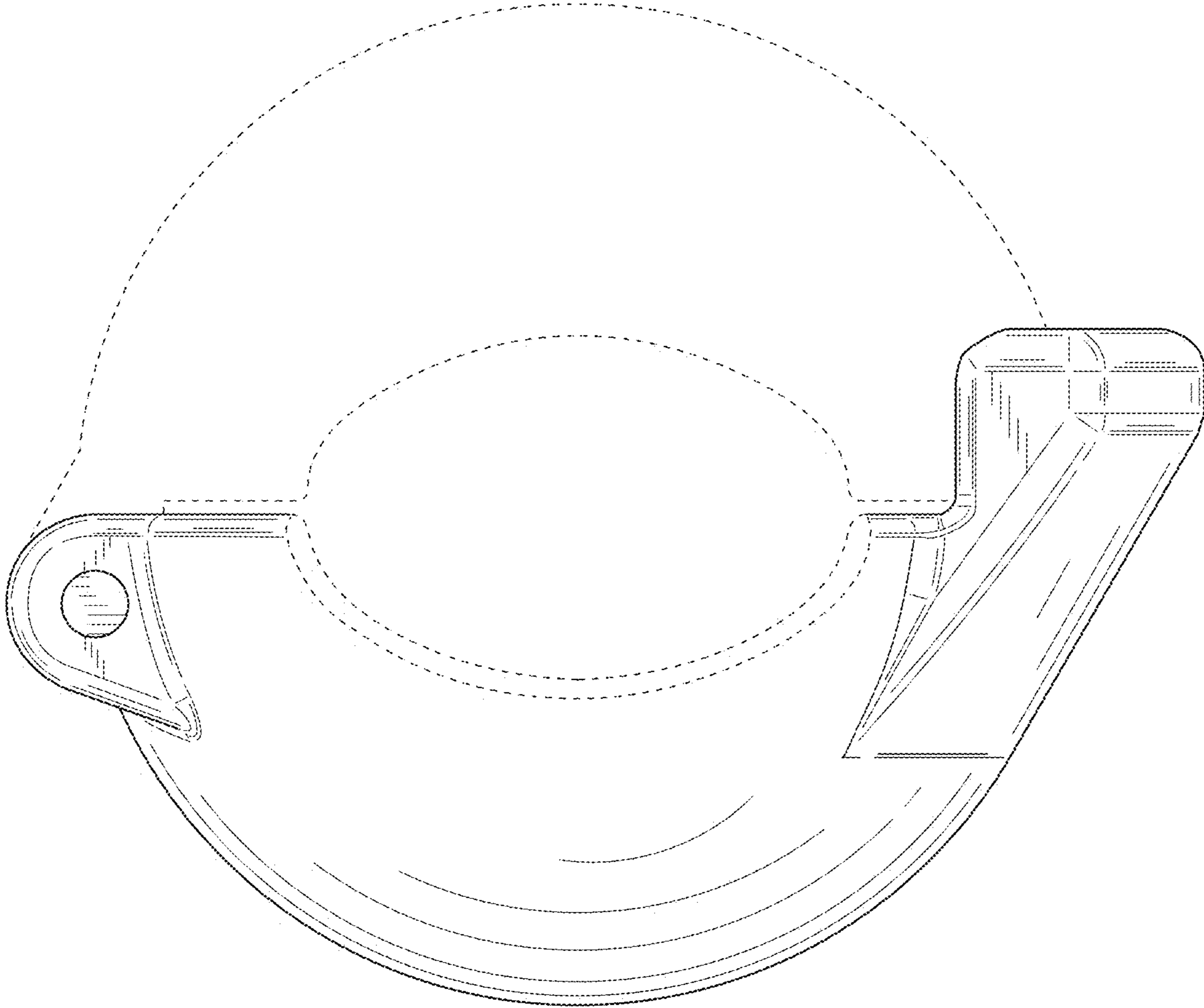


FIG. 4

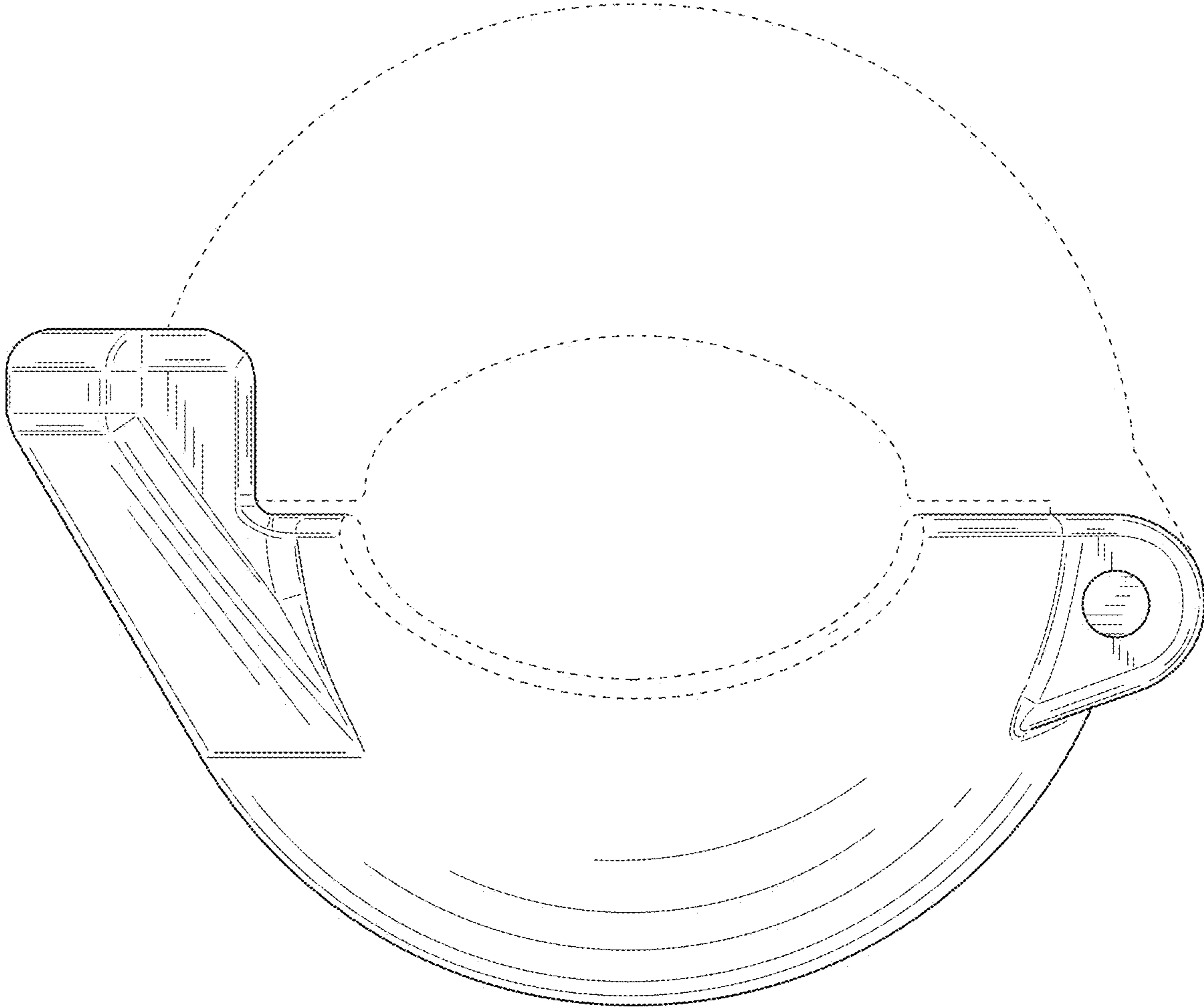


FIG. 5

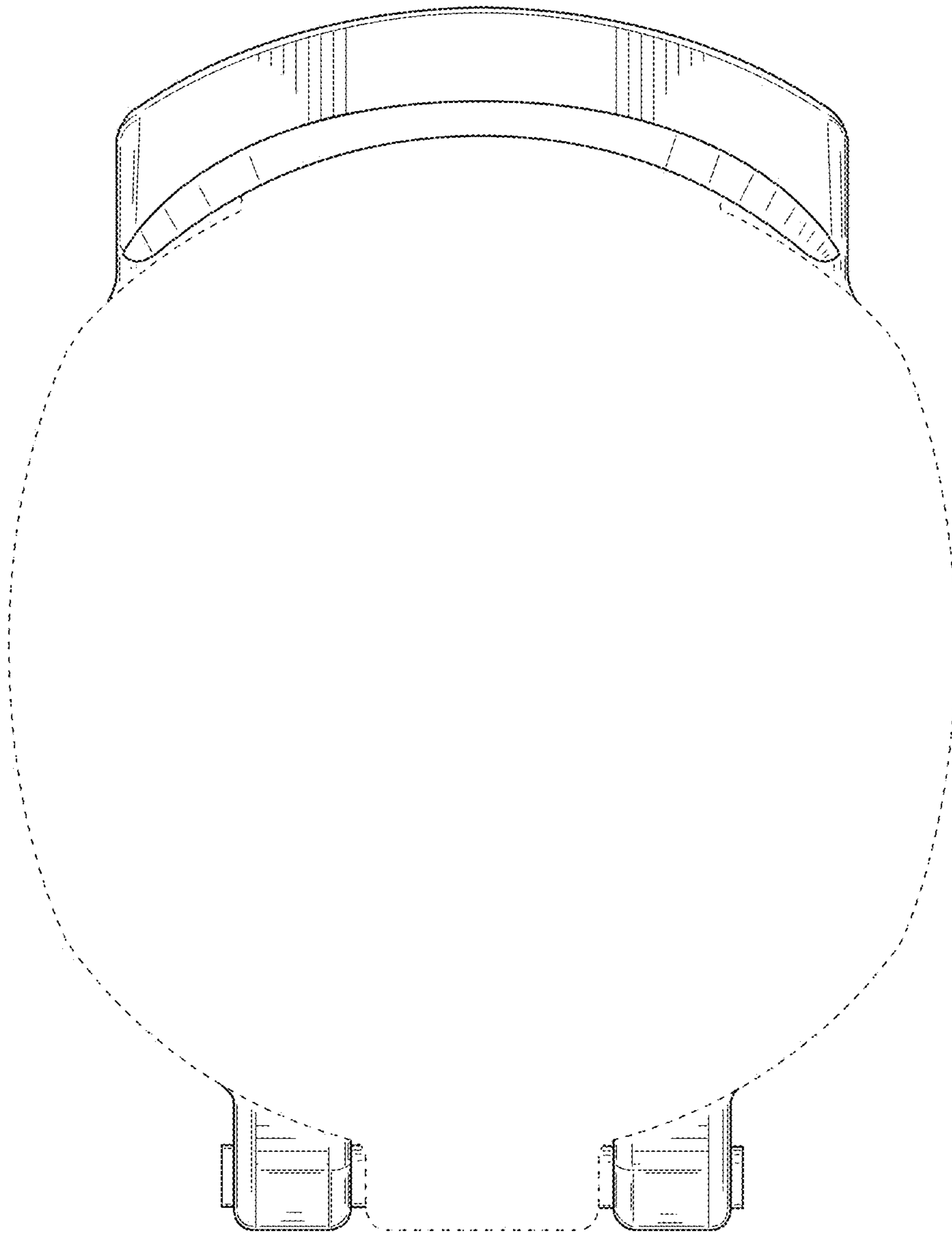


FIG. 6

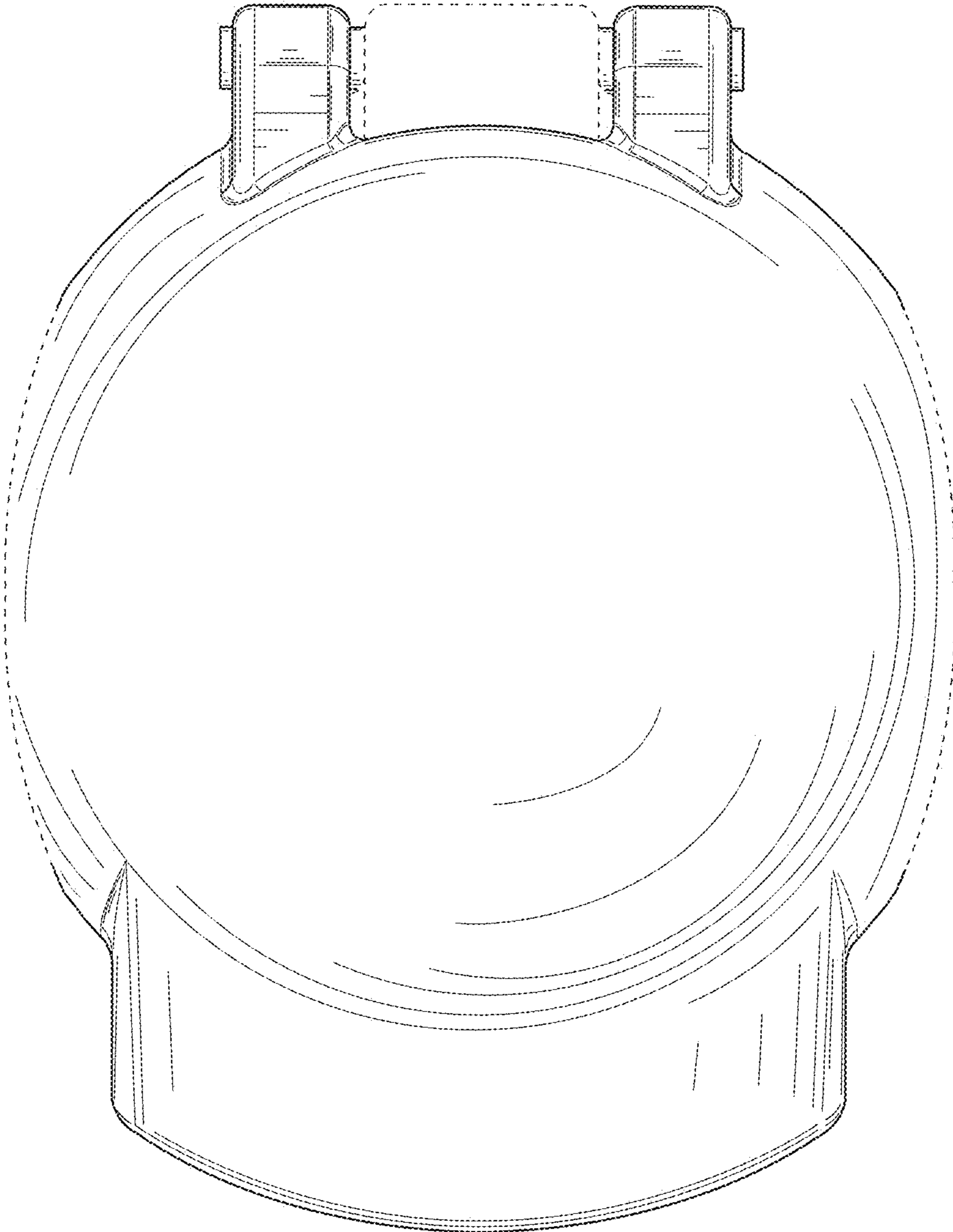


FIG. 7