



US00D936956S

(12) **United States Design Patent** (10) **Patent No.:** **US D936,956 S**
Furick (45) **Date of Patent:** **** Nov. 30, 2021**

(54) **SHOELACE CLIP**
(71) Applicant: **Michael Furick**, Mooresville, NC (US)
(72) Inventor: **Michael Furick**, Mooresville, NC (US)
(**) Term: **15 Years**
(21) Appl. No.: **29/703,018**
(22) Filed: **Aug. 23, 2019**
(51) **LOC (13) Cl.** **02-07**
(52) **U.S. Cl.**
USPC **D2/978**; D2/976
(58) **Field of Classification Search**
USPC D2/902, 907, 908, 943-946, 969,
D2/972-974, 976-978; D28/39, 40, 42;
D11/40, 48, 75, 78; D21/386
CPC .. A43B 23/24; A43B 5/00; A43B 5/06; A43B
5/10; A43C 19/00; A43C 7/00; A43C
7/005; A43C 7/04; A43C 7/06; A43C
7/08; F16G 11/105
See application file for complete search history.

D735,987 S * 8/2015 Hsu D2/978
D822,979 S * 7/2018 Wang D2/976
D831,273 S * 10/2018 Sze D28/40
D846,263 S * 4/2019 Lee A45D 8/24
D2/978
D867,473 S * 11/2019 Fontaine A43C 7/00
D21/498
D919,953 S * 5/2021 Dorn A45D 8/06
D2/976
D926,457 S * 8/2021 Swanson D2/978
D926,458 S * 8/2021 Swanson D2/978
D926,459 S * 8/2021 Furick D2/978
2020/0054095 A1* 2/2020 McKenzie A43C 7/04

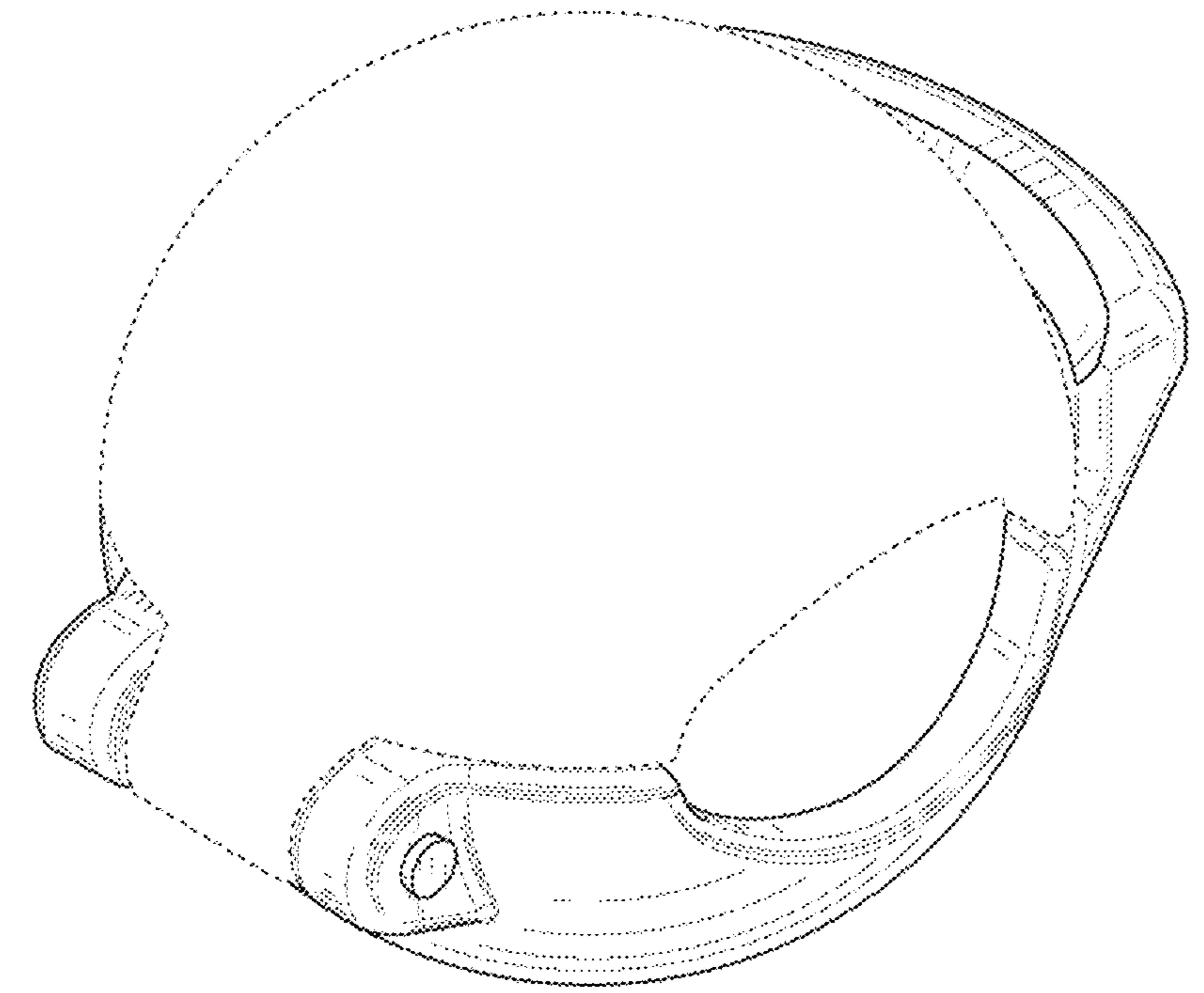
* cited by examiner
Primary Examiner — Kevin K Rudzinski
Assistant Examiner — Clare Ann Gannon
(74) *Attorney, Agent, or Firm* — Trego, Hines & Ladenheim, PLLC

(57) **CLAIM**
I claim the ornamental design for a shoelace clip, as shown and described.

(56) **References Cited**
U.S. PATENT DOCUMENTS
2,612,135 A * 9/1952 Iny A43B 3/30
116/170
2,869,204 A * 1/1959 Mopps A43C 7/00
24/712.8
D292,442 S * 10/1987 Wadsworth A43C 7/00
D2/976
6,311,699 B1 * 11/2001 Horman A45D 8/24
132/273
D463,621 S * 9/2002 Tobin A45D 8/24
D28/41
D473,456 S * 4/2003 Rodriguez, Jr. D8/395

DESCRIPTION
FIG. 1 is a perspective view of a shoelace clip, showing my new design;
FIG. 2 is a rear elevational view thereof;
FIG. 3 is a front elevational view thereof;
FIG. 4 is a left side elevational view thereof;
FIG. 5 is a right side elevational view thereof;
FIG. 6 is a top plan view thereof; and,
FIG. 7 is a bottom plan view thereof.
The broken lines shown in the figures are for environmental purposes only and form no part of the claimed design.

1 Claim, 7 Drawing Sheets



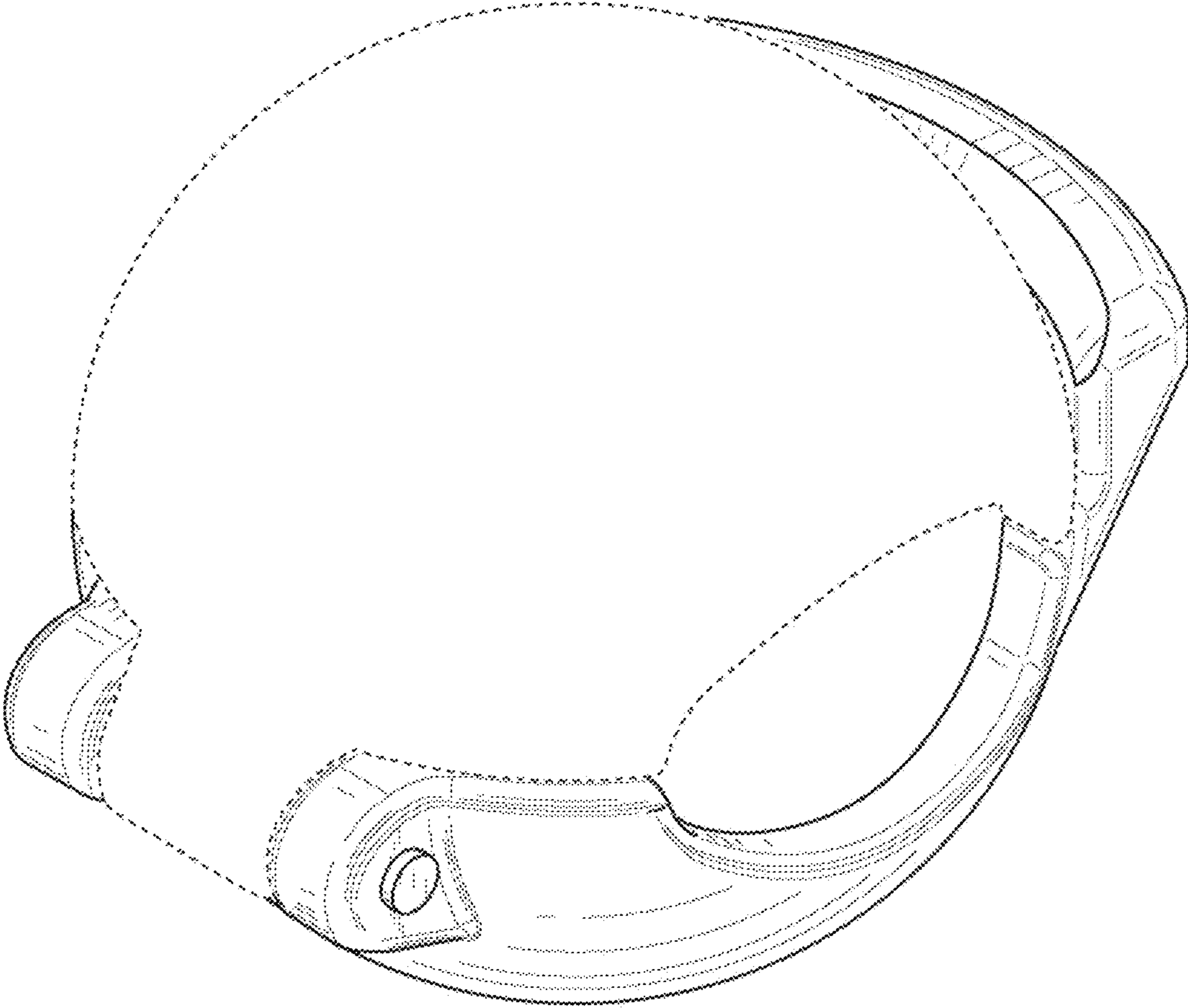


FIG. 1

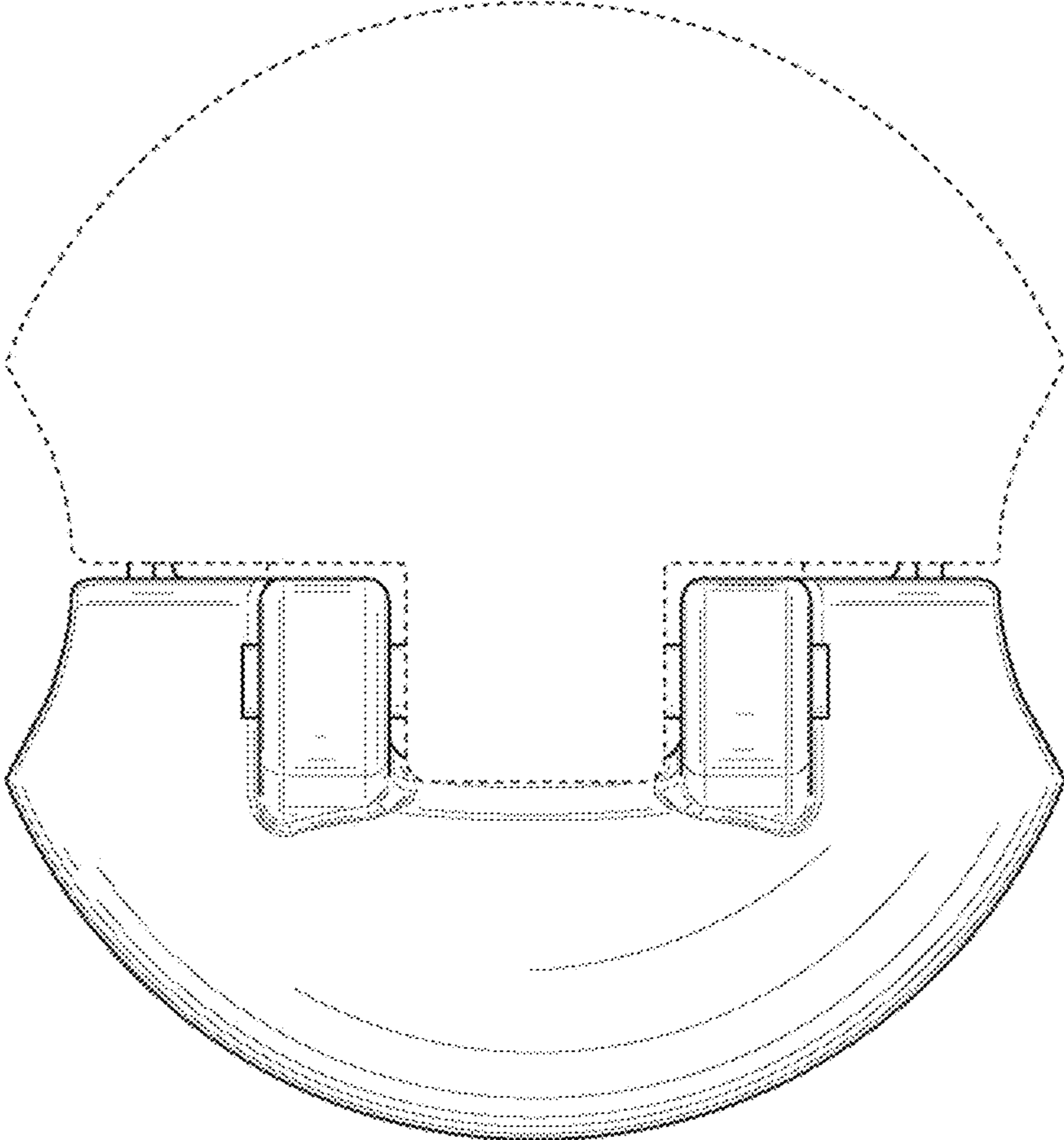


FIG. 2

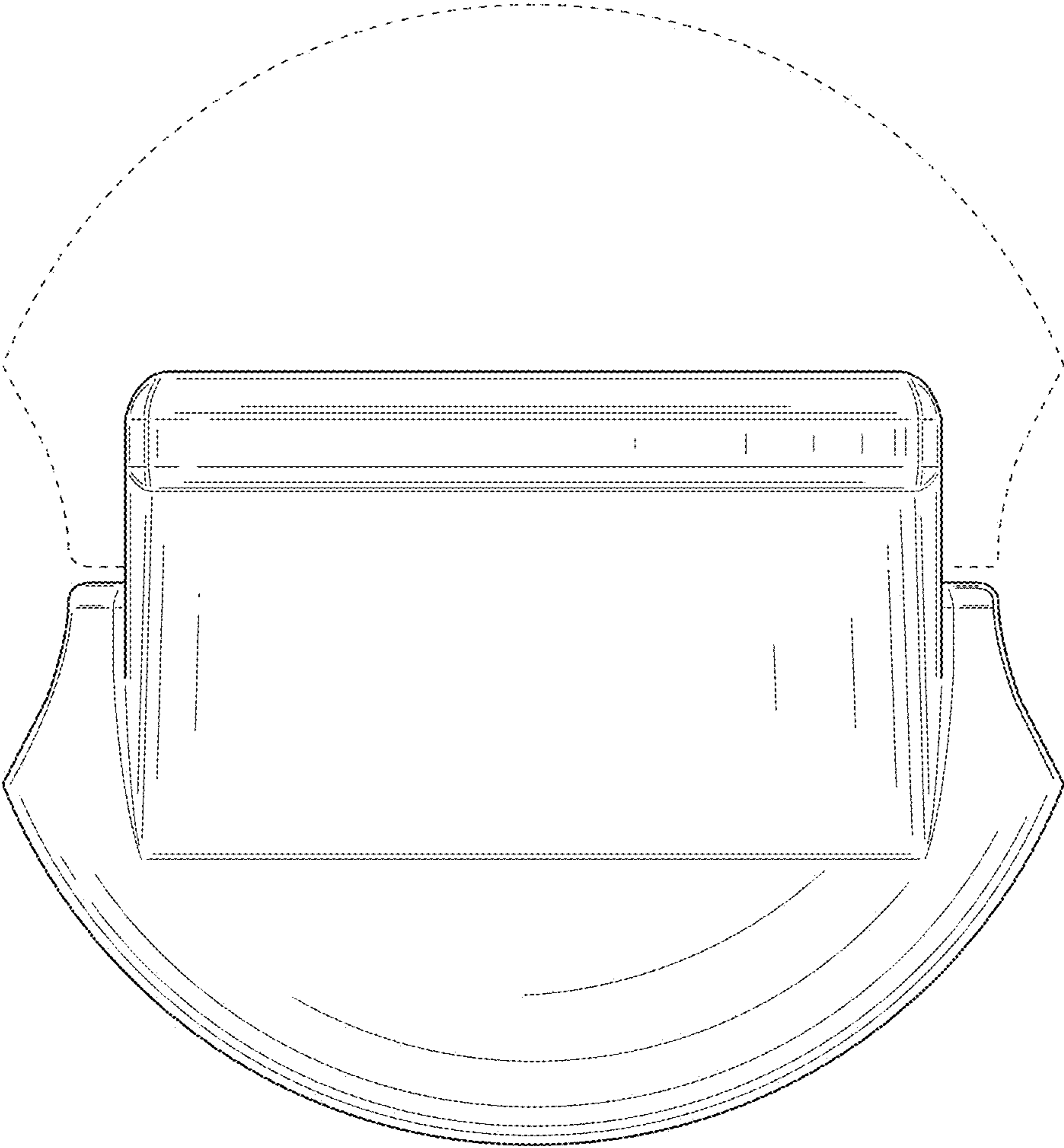


FIG. 3

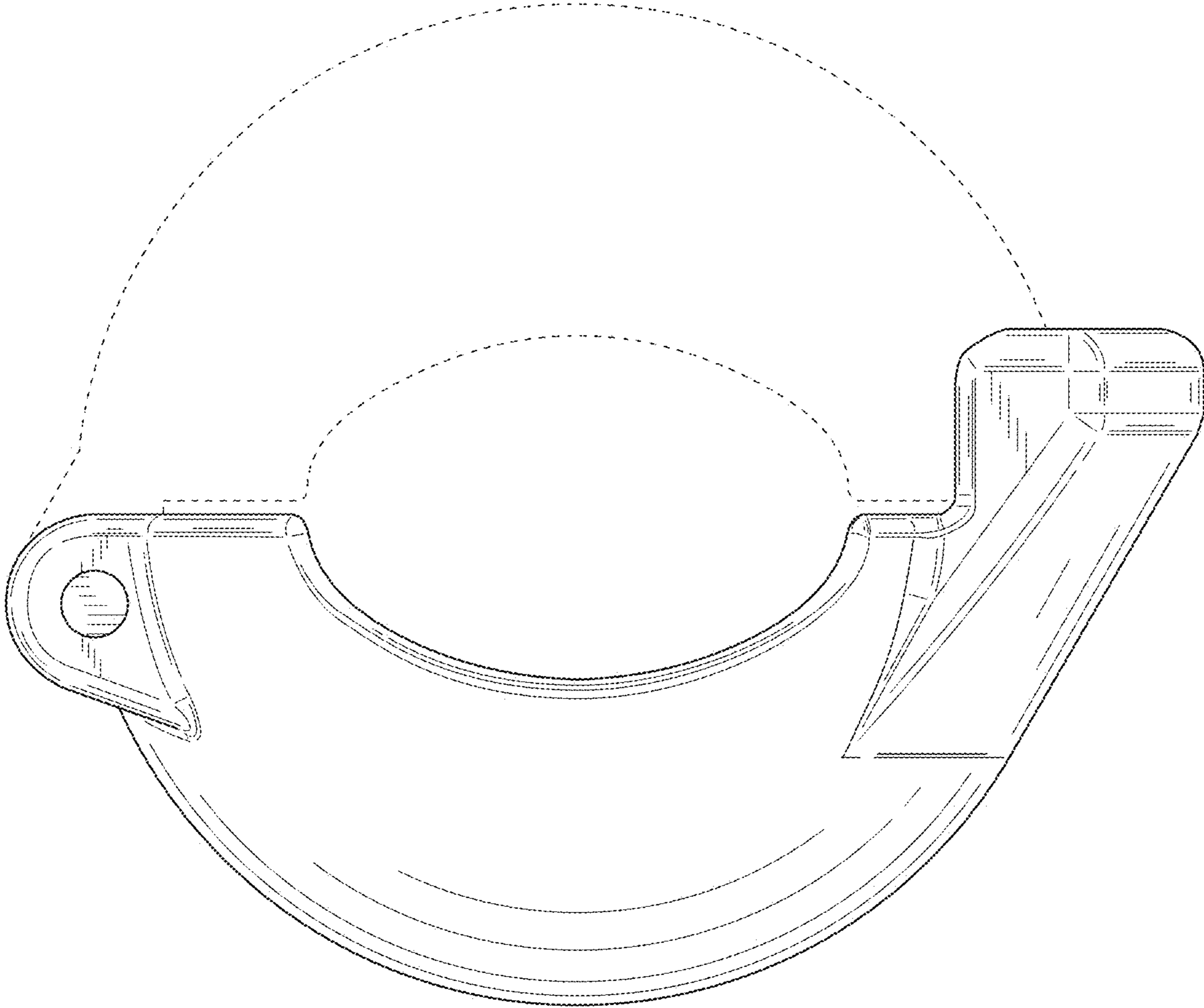


FIG. 4

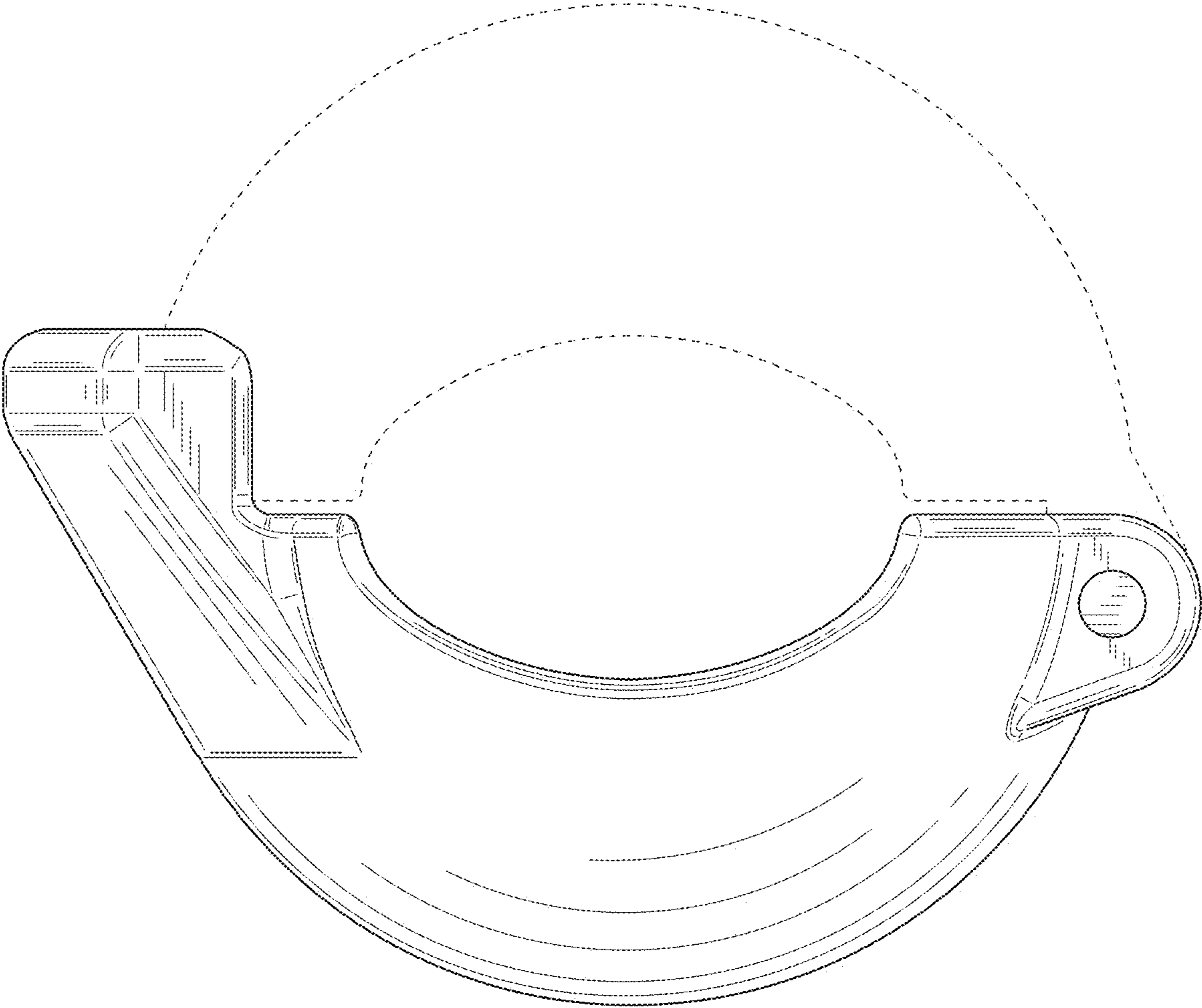


FIG. 5

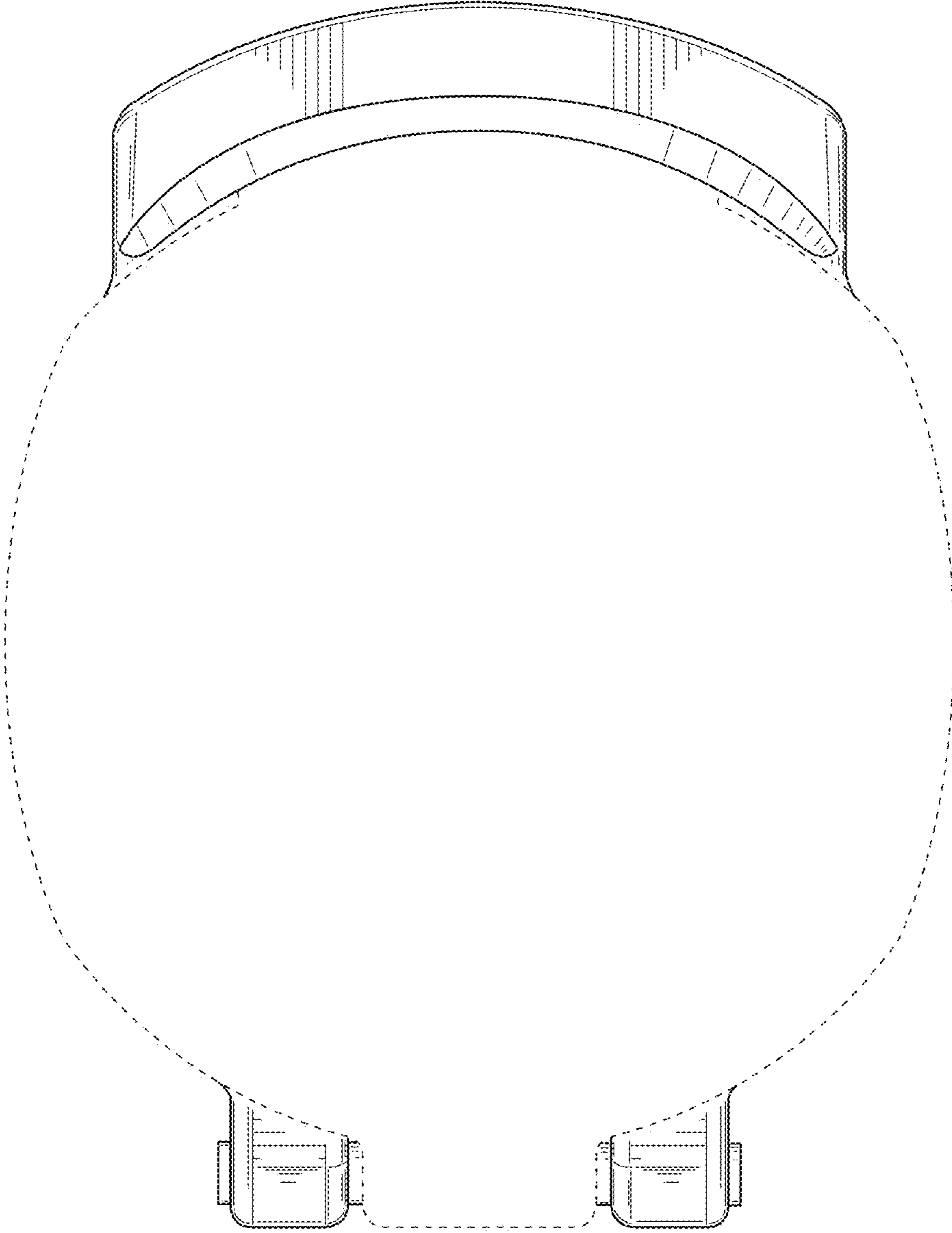


FIG. 6

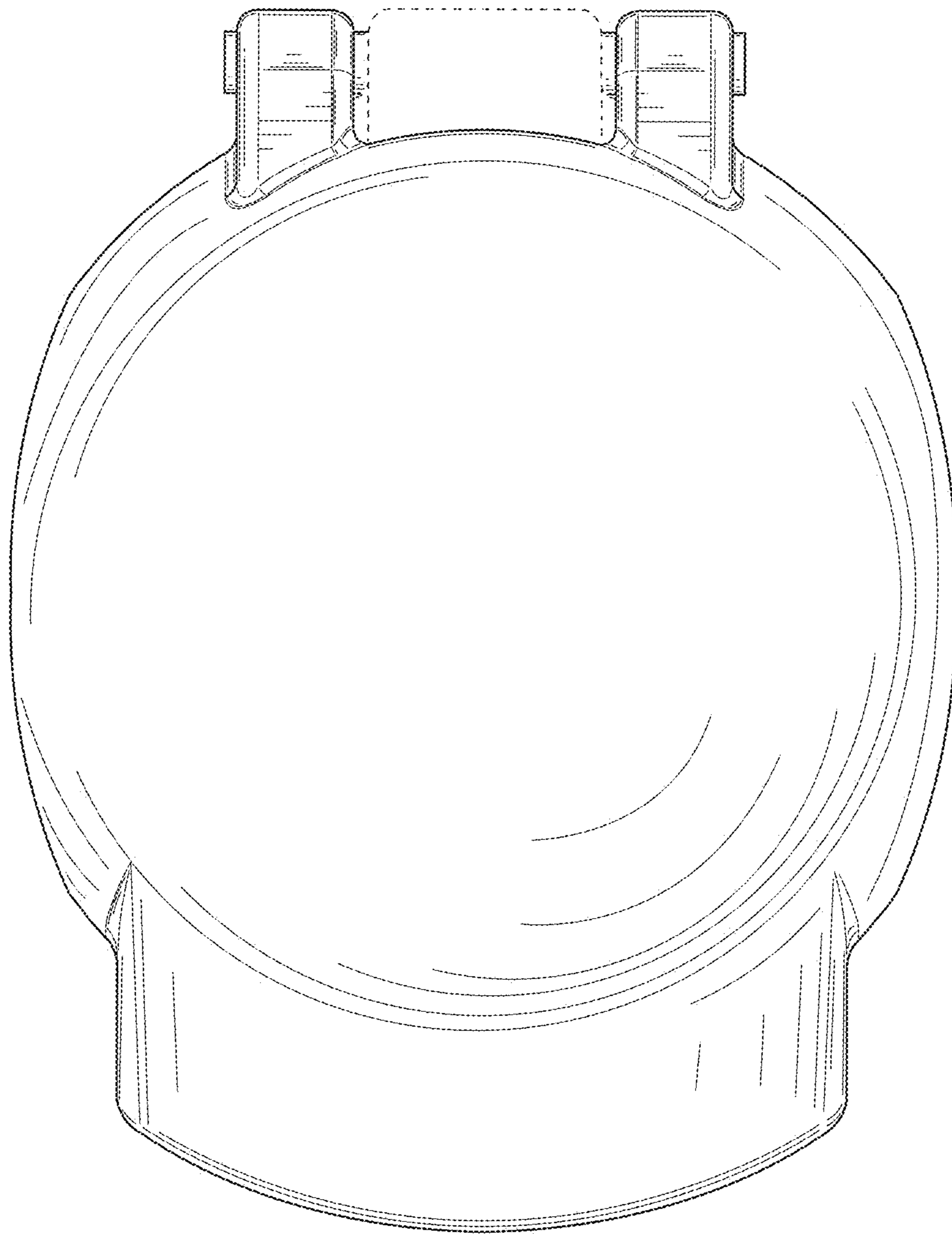


FIG. 7