



US00D936939S

(12) **United States Design Patent**
Sherman

(10) **Patent No.:** **US D936,939 S**

(45) **Date of Patent:** **** Nov. 30, 2021**

(54) **STRAPS FOR FOOTWEAR**

(71) Applicant: **Lowell Sherman**, Auburndale, MA
(US)

(72) Inventor: **Lowell Sherman**, Auburndale, MA
(US)

(**) Term: **15 Years**

(21) Appl. No.: **29/741,157**

(22) Filed: **Jul. 9, 2020**

(51) **LOC (13) Cl.** **02-04**

(52) **U.S. Cl.**
USPC **D2/916**

(58) **Field of Classification Search**
USPC D2/896-900, 916-918, 925-943, 969,
D2/971
CPC A43B 3/122; A43B 5/12; A43B 3/126;
A43B 23/24; A43B 3/28; A43B 3/102;
A43B 1/04
See application file for complete search history.

(56) **References Cited**

U.S. PATENT DOCUMENTS

D293,967 S * 2/1988 Maciel D2/916
D392,452 S * 3/1998 Jenkins D2/916

D506,595 S * 6/2005 Rimple D2/916
D781,539 S * 3/2017 Mitchell D2/916
D796,166 S * 9/2017 Ringholz D2/916
D852,472 S * 7/2019 Sherman D2/916

* cited by examiner

Primary Examiner — Rashida C. Walshon

(74) *Attorney, Agent, or Firm* — Lowell A. Sherman

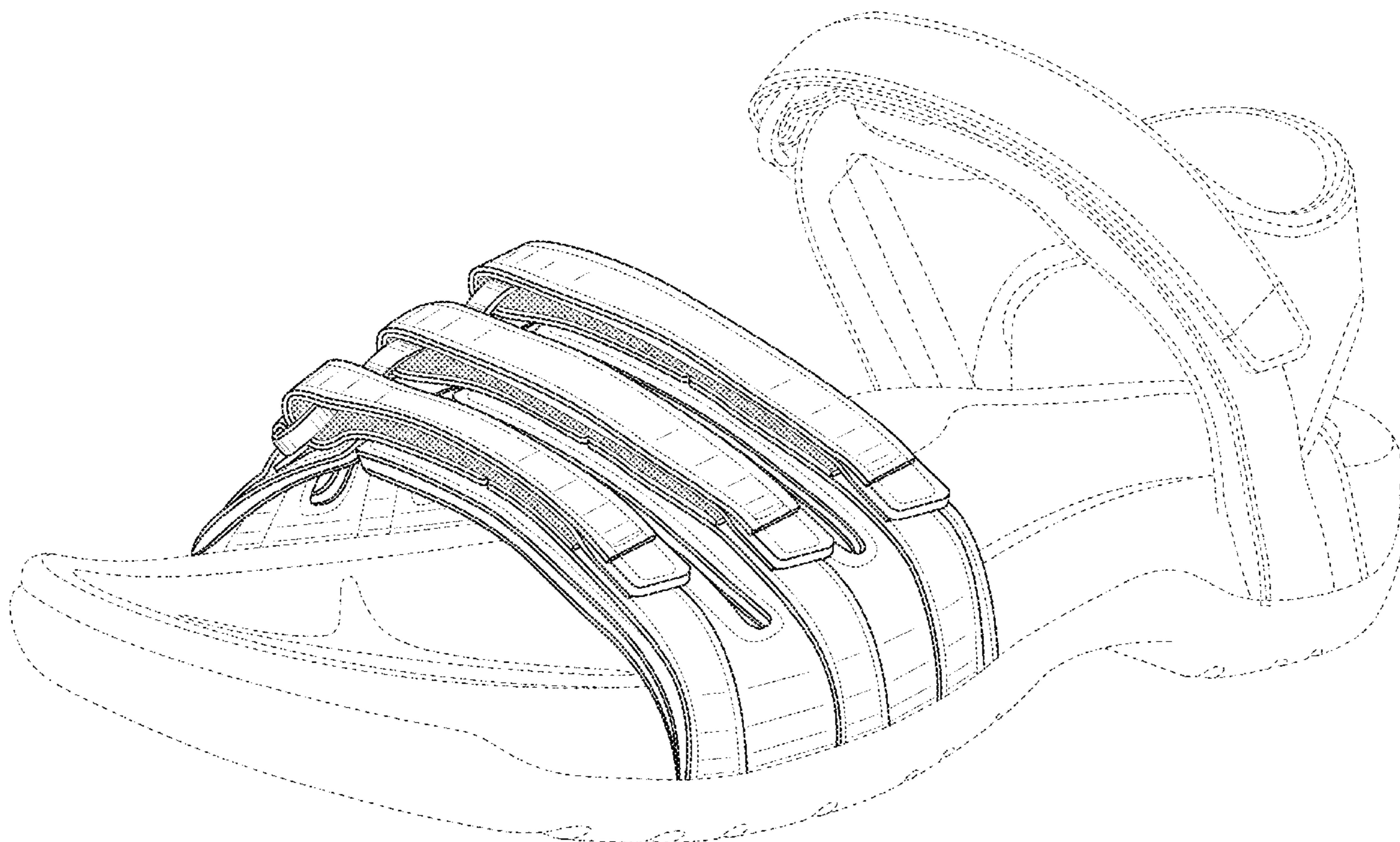
(57) **CLAIM**

The ornamental design of straps for footwear, as shown and described.

DESCRIPTION

FIG. 1 is a perspective view of straps for footwear embodying the inventive design;
FIG. 2 is a top elevated view thereof
FIG. 3 is a bottom view thereof
FIG. 4 is a front view thereof
FIG. 5 is a rear view thereof
FIG. 6 is a first side view thereof; and,
FIG. 7 is a second side view thereof.
The broken lines shown are included for the purpose of illustrating the unclaimed portions of the article and form no part of the claimed design.

1 Claim, 7 Drawing Sheets



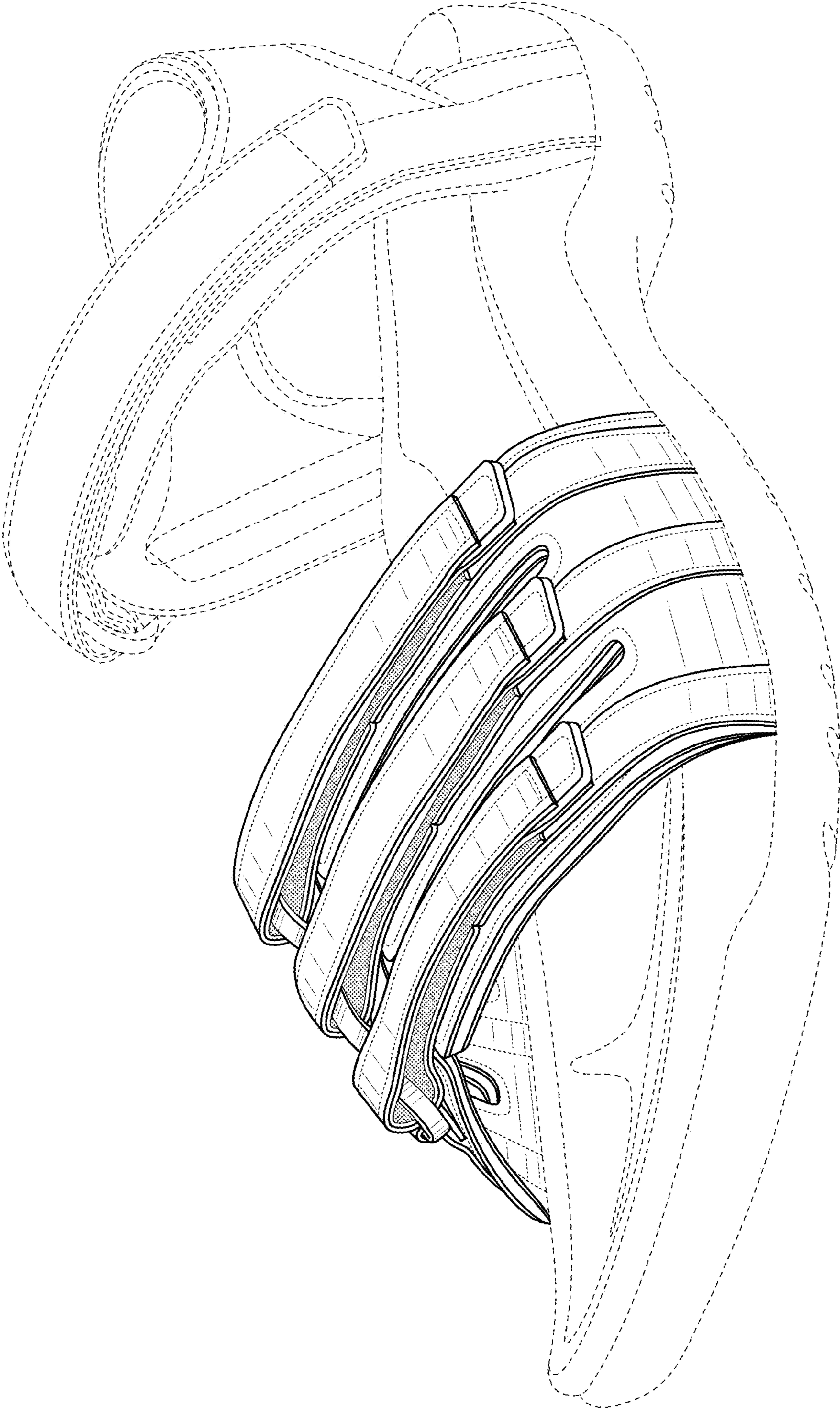


FIG. 1

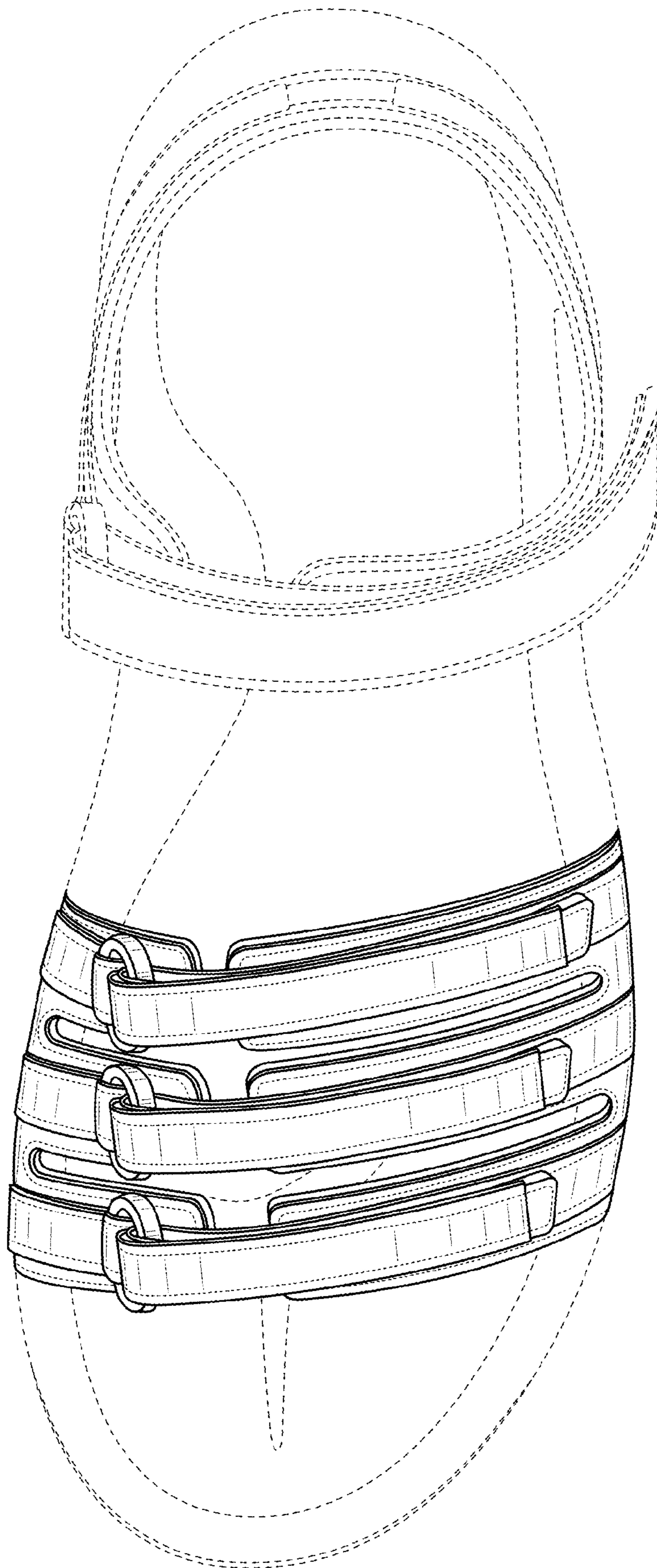


FIG. 2

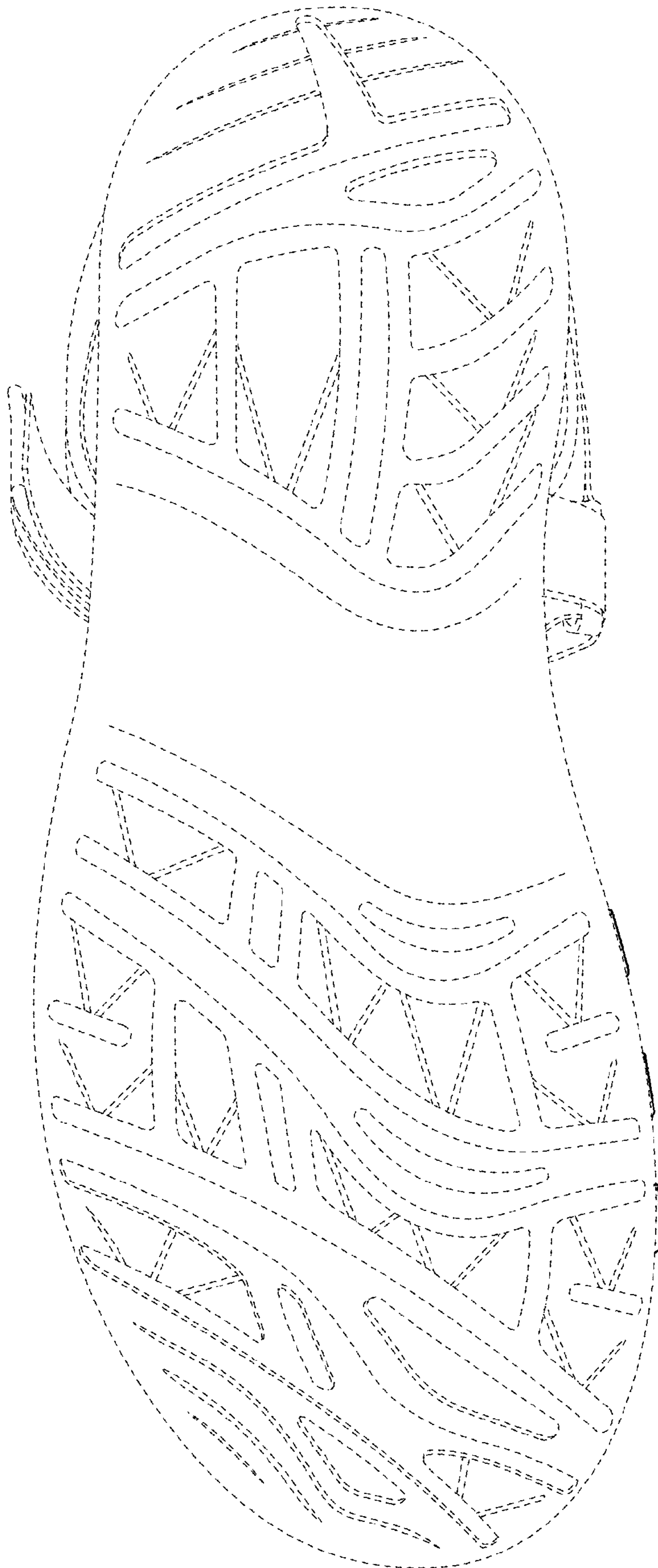


FIG. 3

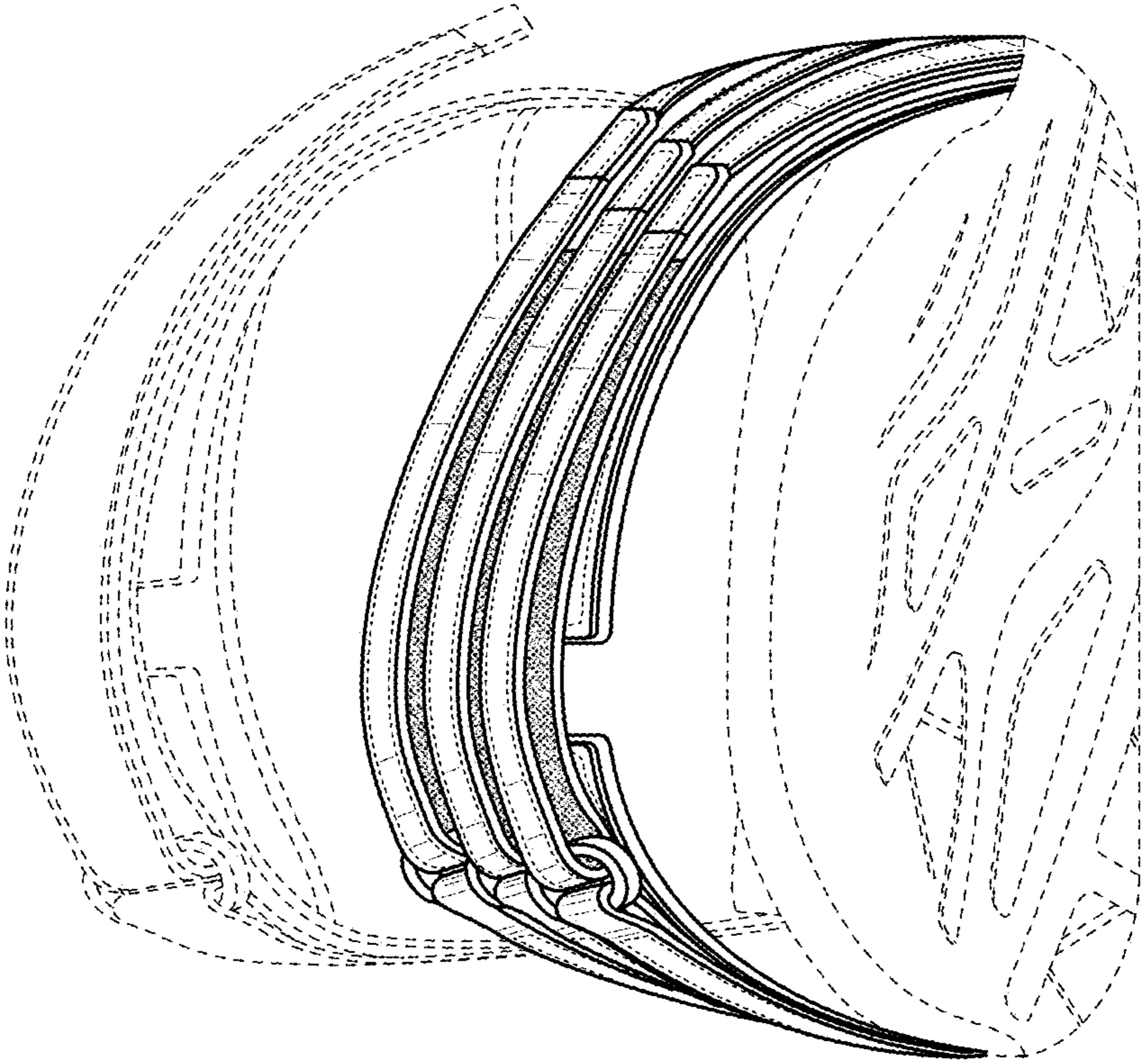


FIG. 4

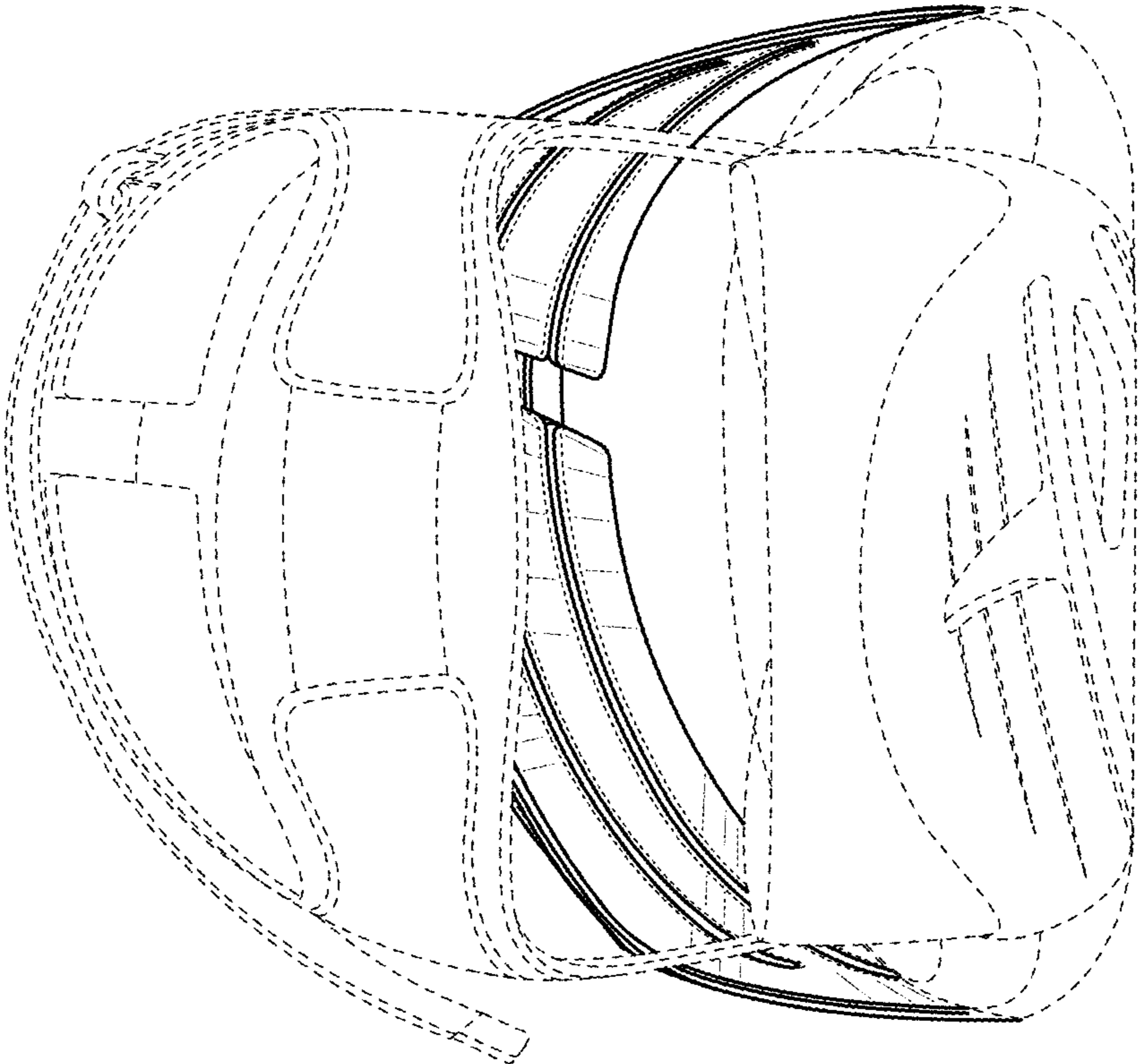


FIG. 5

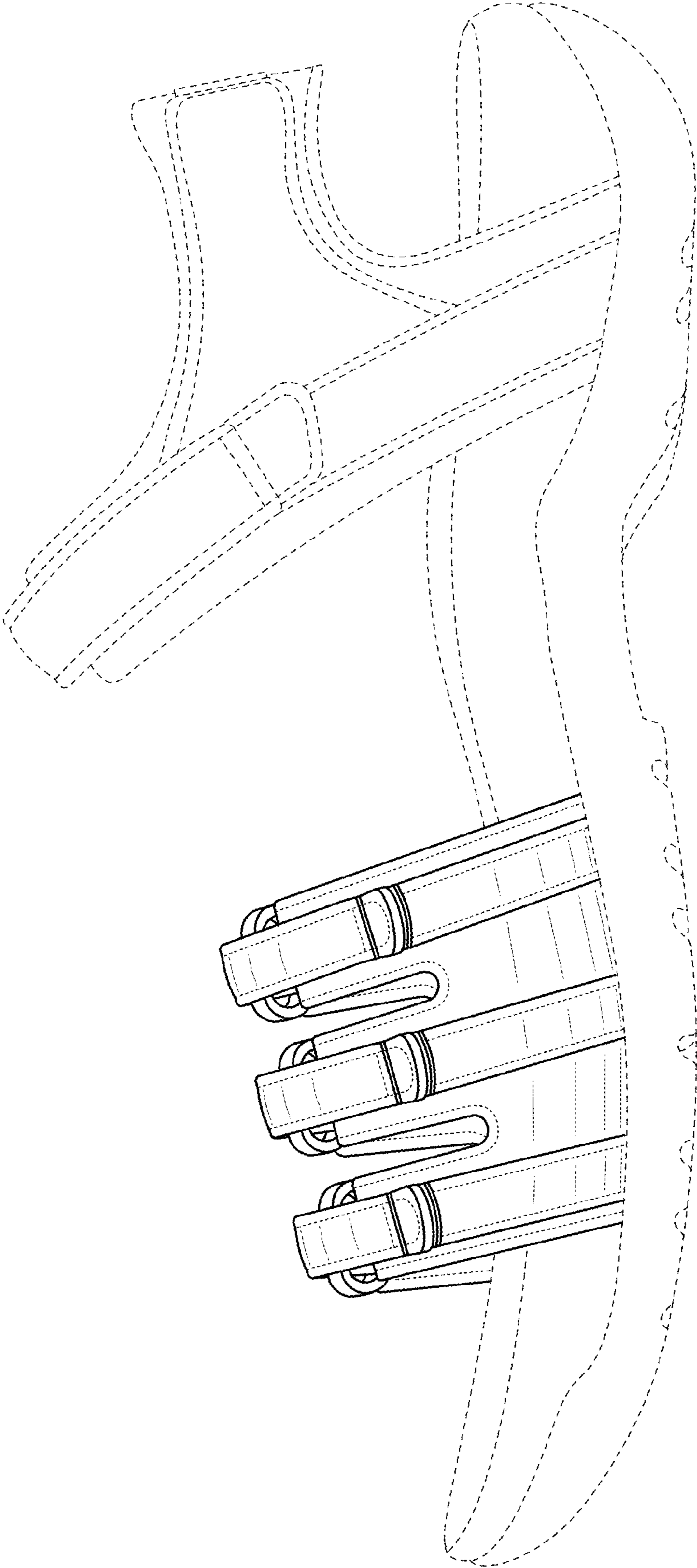


FIG. 6

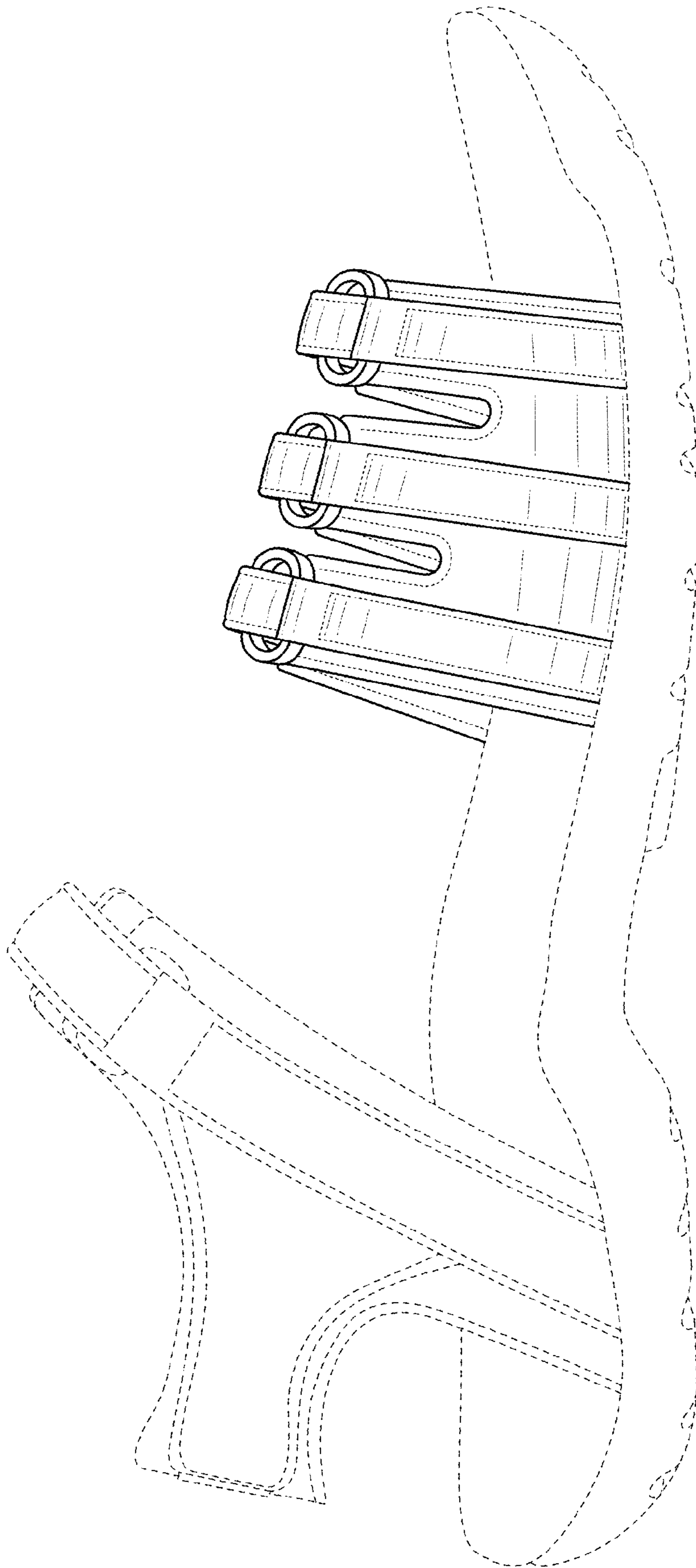


FIG. 7