



US00D936930S

(12) **United States Design Patent** (10) **Patent No.:** **US D936,930 S**
Hagler et al. (45) **Date of Patent:** **** Nov. 23, 2021**

(54) **MODEL VEHICLE WINCH ASSEMBLY**

(71) Applicant: **TRAXXAS LP**, McKinney, TX (US)

(72) Inventors: **Skylar Hagler**, Anna, TX (US); **Terry Soward**, Van Alstyne, TX (US); **Otto Karl Allmendinger**, Rowlett, TX (US); **Kent Poteet**, Lucas, TX (US)

(73) Assignee: **TRAXXAS LP**, McKinney, TX (US)

(**) Term: **15 Years**

(21) Appl. No.: **29/736,728**

(22) Filed: **Jun. 2, 2020**

(51) **LOC (13) Cl.** **12-05**

(52) **U.S. Cl.**
USPC **D34/33**

(58) **Field of Classification Search**
USPC D34/32, 33; D21/561
CPC ... B66D 1/12; B66D 1/14; B66D 1/16; B66D 1/40; B66D 1/42; B66D 1/56; B66D 5/34; B66D 3/18; B66D 3/20
See application file for complete search history.

(56) **References Cited**

U.S. PATENT DOCUMENTS

D550,720 S *	9/2007	Geisler	D34/33
D550,924 S *	9/2007	Huang	D34/33
D799,144 S *	10/2017	Cui	D34/33
D811,683 S *	2/2018	Frazier	D34/33
D888,360 S *	6/2020	Zheng	D34/33
D896,463 S *	9/2020	Saeger	D34/33

D898,321 S *	10/2020	Fretz	D34/33
D906,624 S *	12/2020	Wilcox	D34/33
D923,906 S *	6/2021	Fogg	D34/33
2014/0001427 A1 *	1/2014	Fretz	B66D 1/28 254/342
2014/0252286 A1 *	9/2014	Averill	B66D 1/16 254/344
2018/0118528 A1 *	5/2018	August	H05K 7/1432
2018/0273357 A1 *	9/2018	Huang	B66D 1/12
2019/0092608 A1 *	3/2019	Cui	B66D 1/225

* cited by examiner

Primary Examiner — Cynthia Ramirez

(74) *Attorney, Agent, or Firm* — Daryl R. Wright; Greg Carr

(57) **CLAIM**

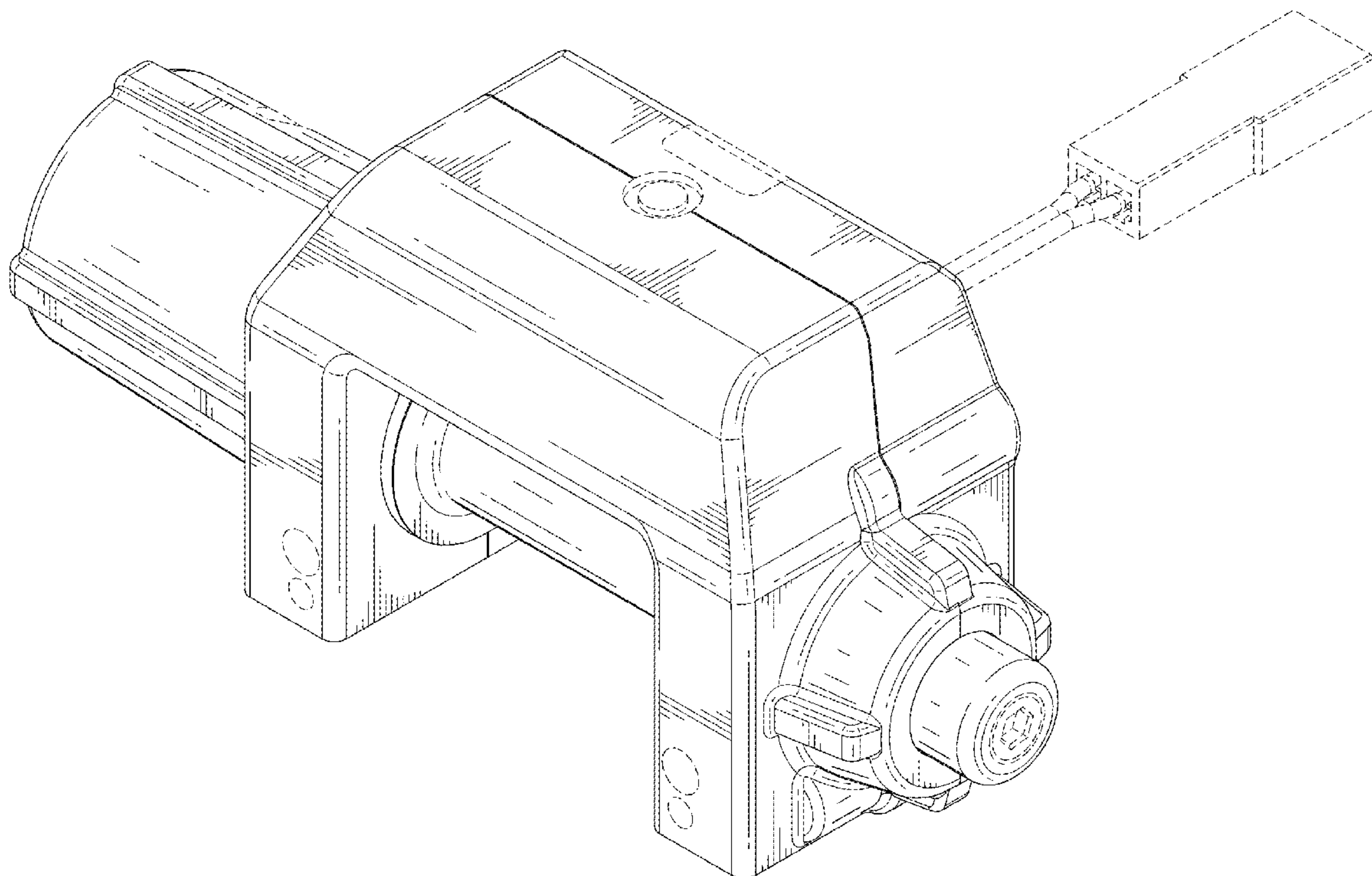
We claim the ornamental design for a model vehicle winch assembly, as shown and described.

DESCRIPTION

FIG. 1 is an upper, left, front perspective view of a model vehicle winch assembly showing our new design; FIG. 2 is a front elevation view thereof; FIG. 3 is a rear elevation view thereof; FIG. 4 is a right side elevation view thereof; FIG. 5 is a left side elevation view thereof; FIG. 6 is an upper plan view thereof; FIG. 7 is a lower plan view thereof; and, FIG. 8 is a lower, right, rear perspective view of the model vehicle winch assembly.

In the drawings, the broken lines illustrate portions of the model vehicle winch assembly that form no part of the claimed design.

1 Claim, 8 Drawing Sheets



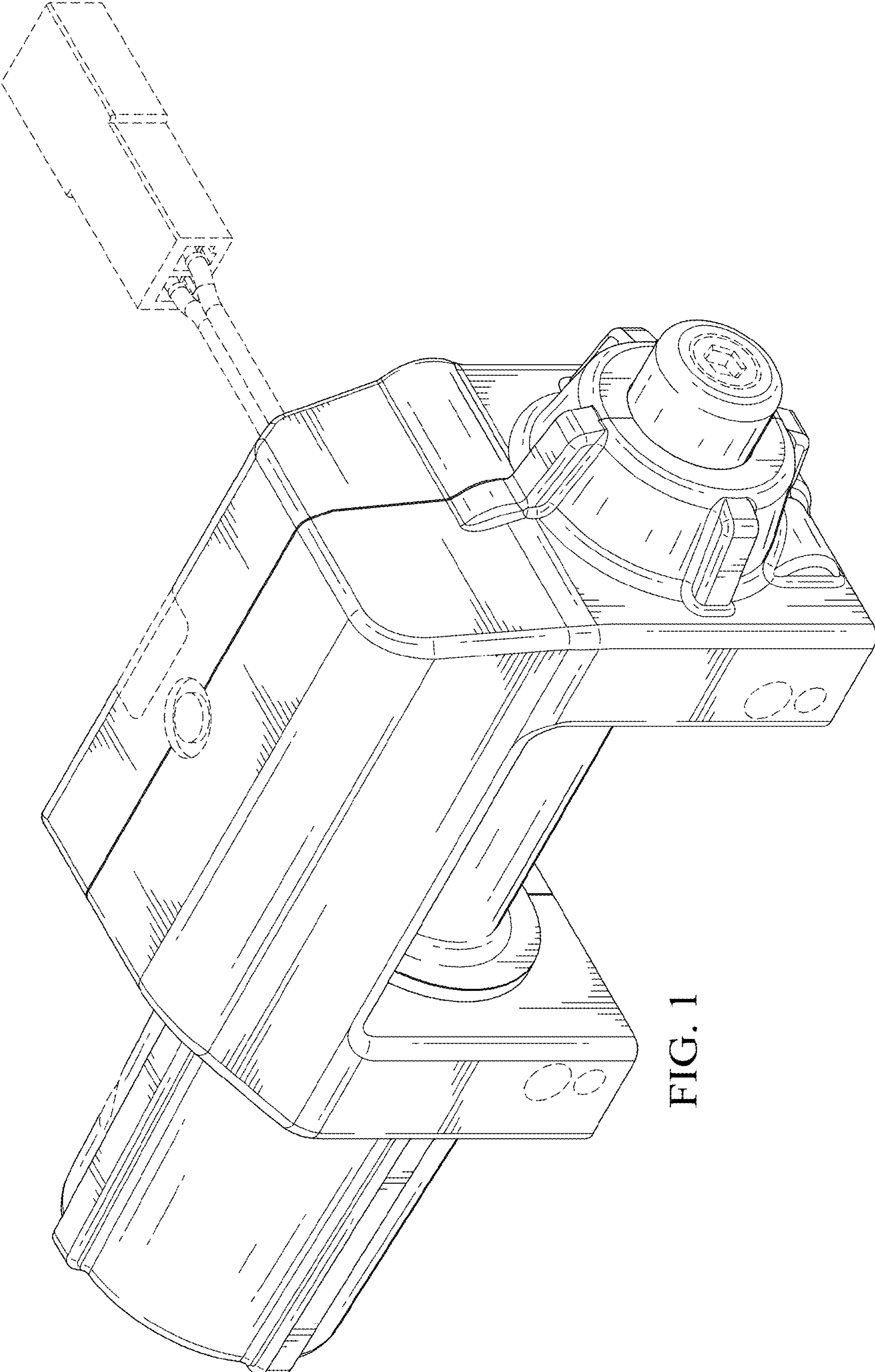


FIG. 1

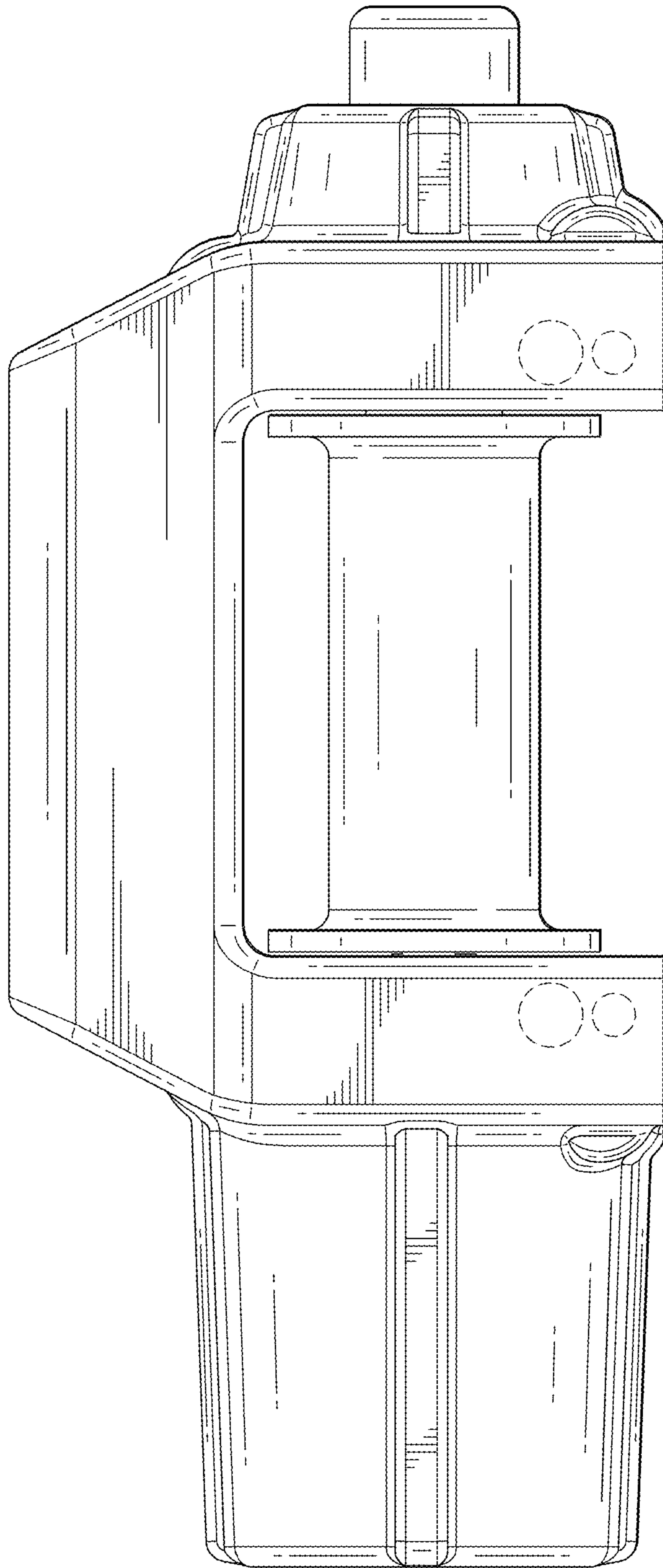


FIG. 2

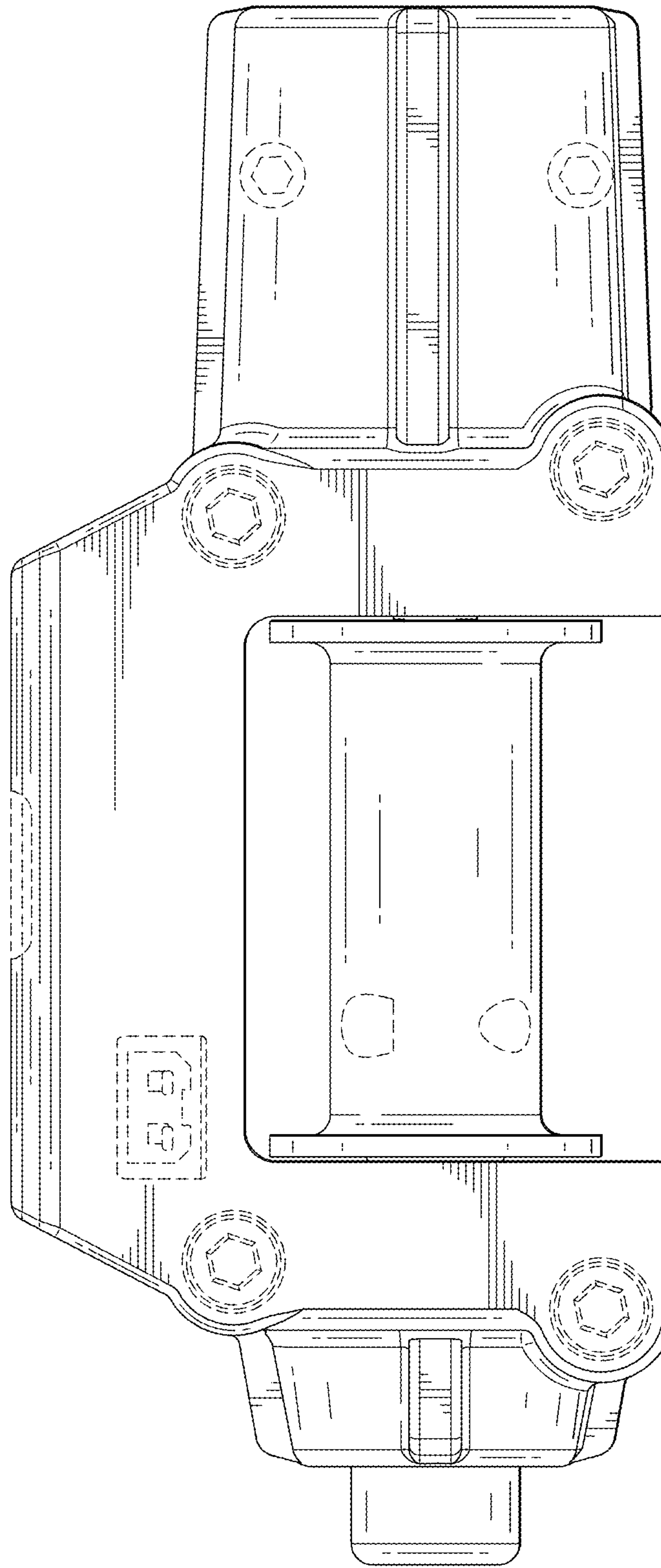


FIG. 3

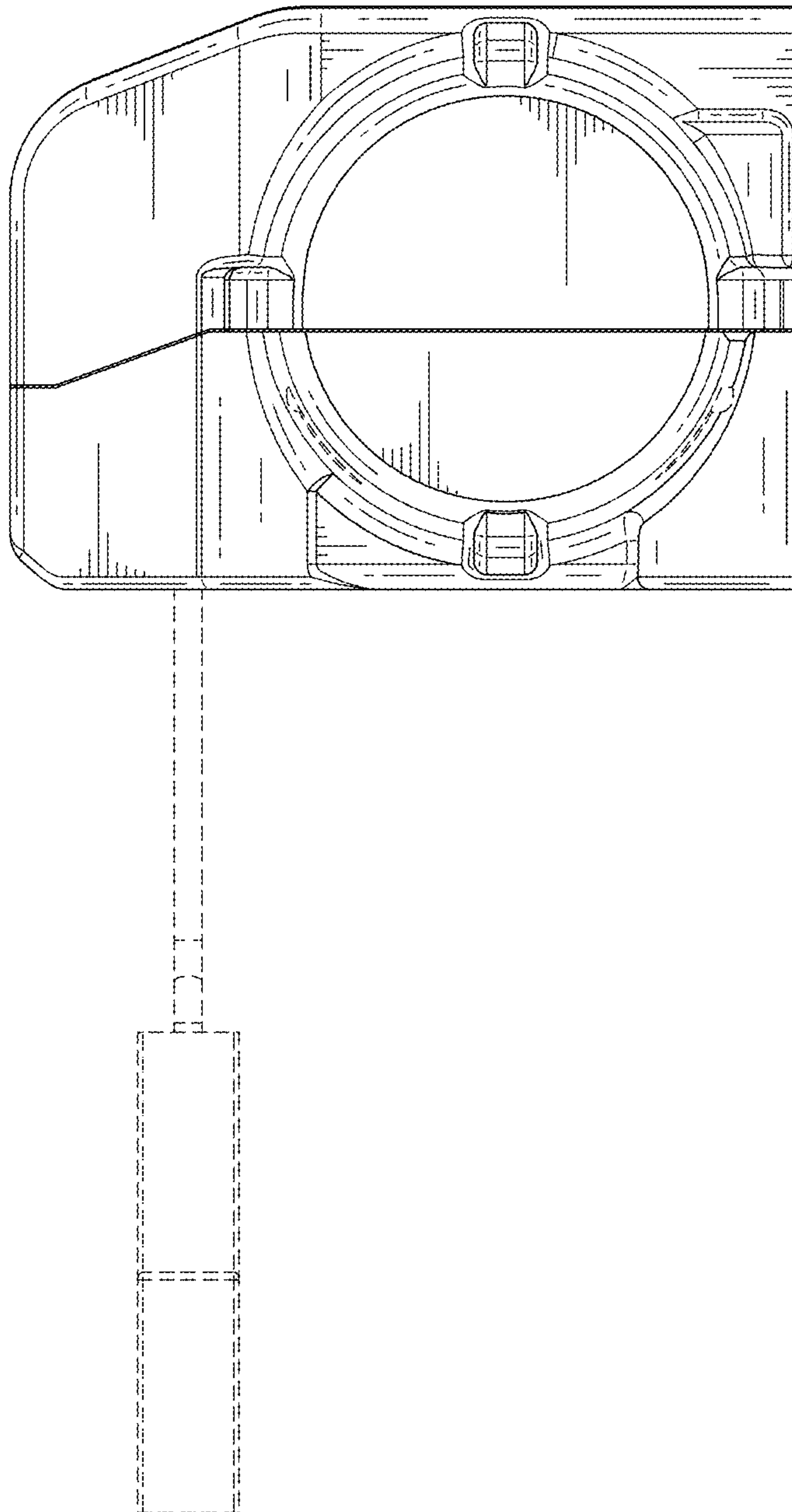


FIG. 4

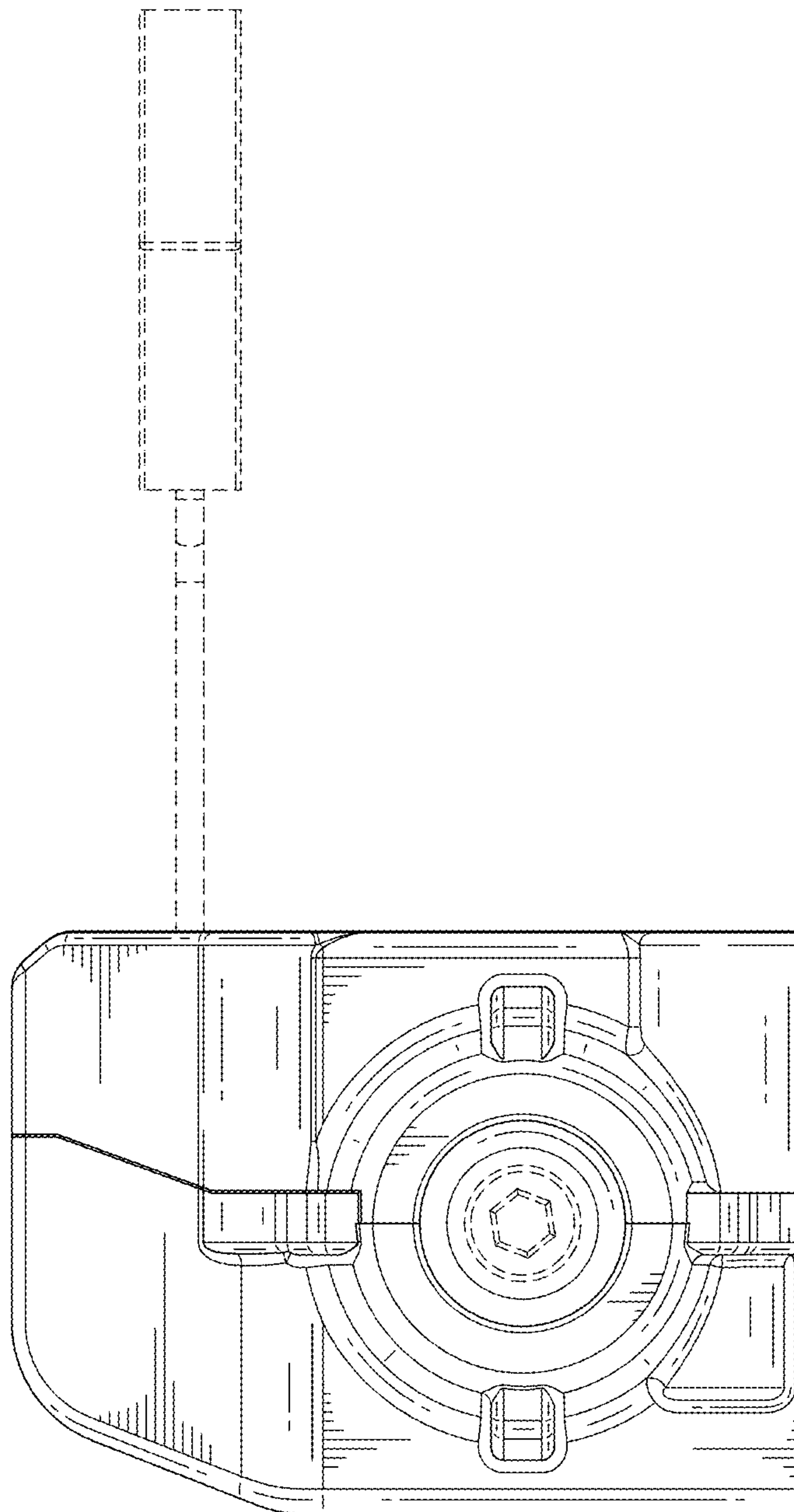


FIG. 5

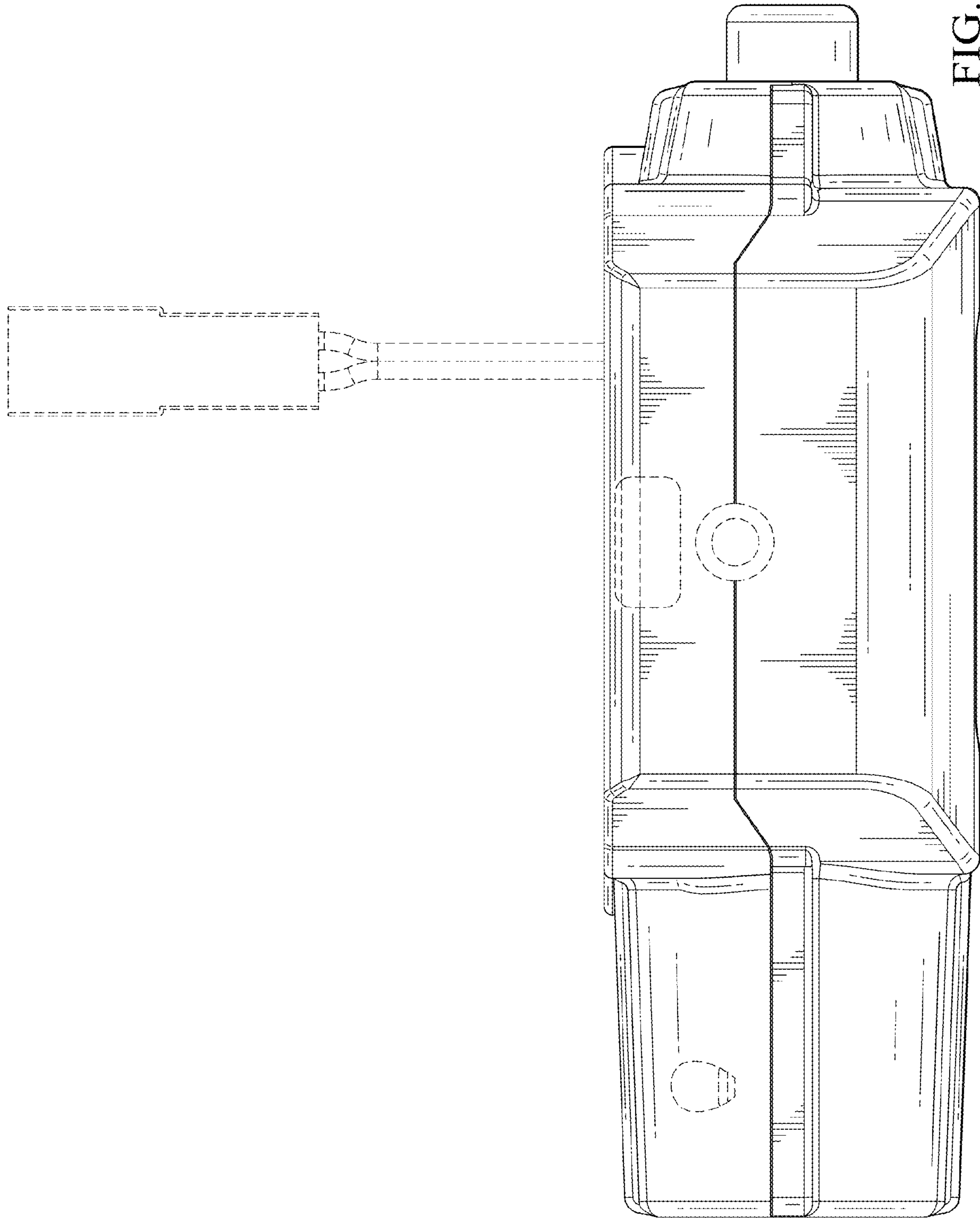


FIG. 6

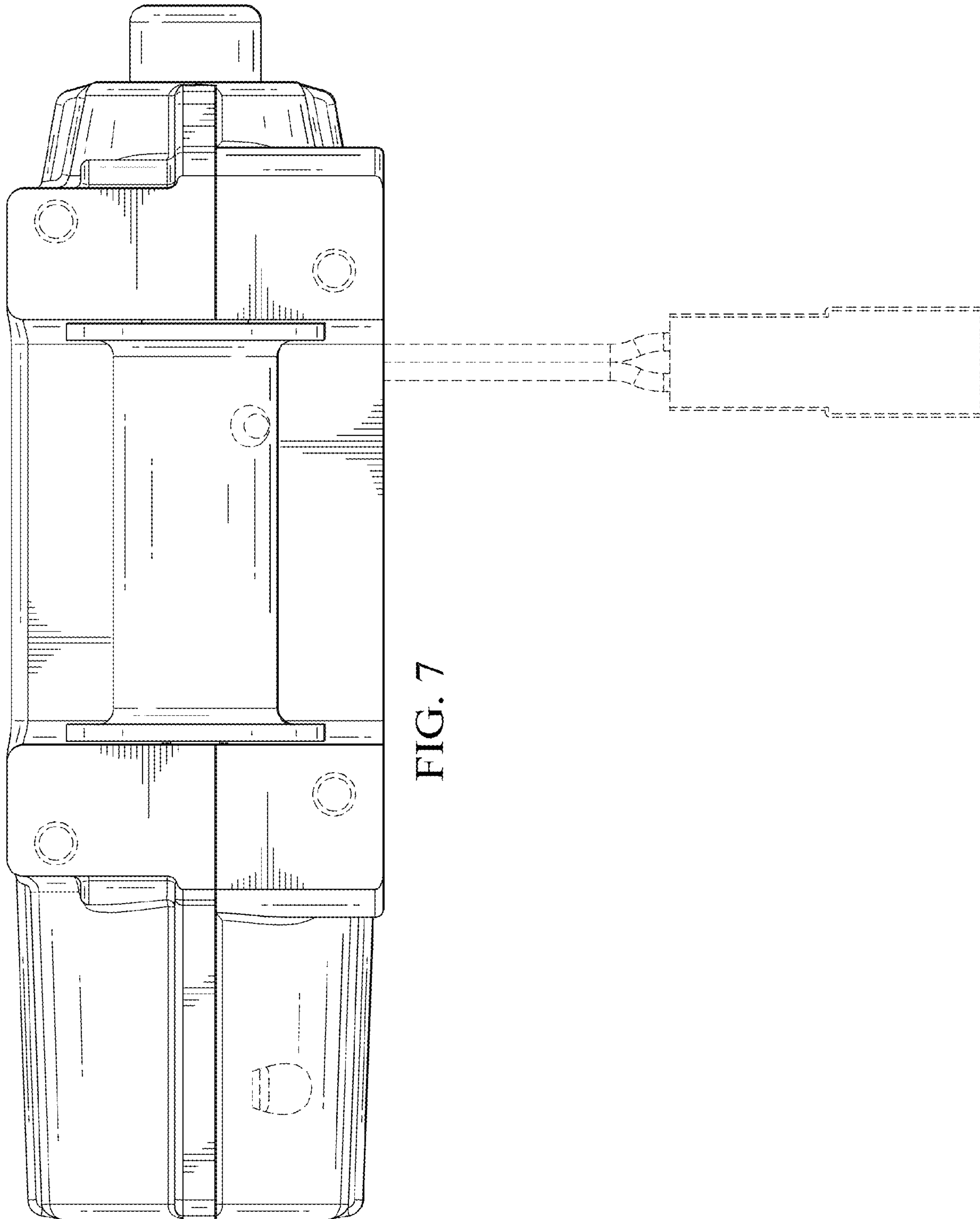


FIG. 7

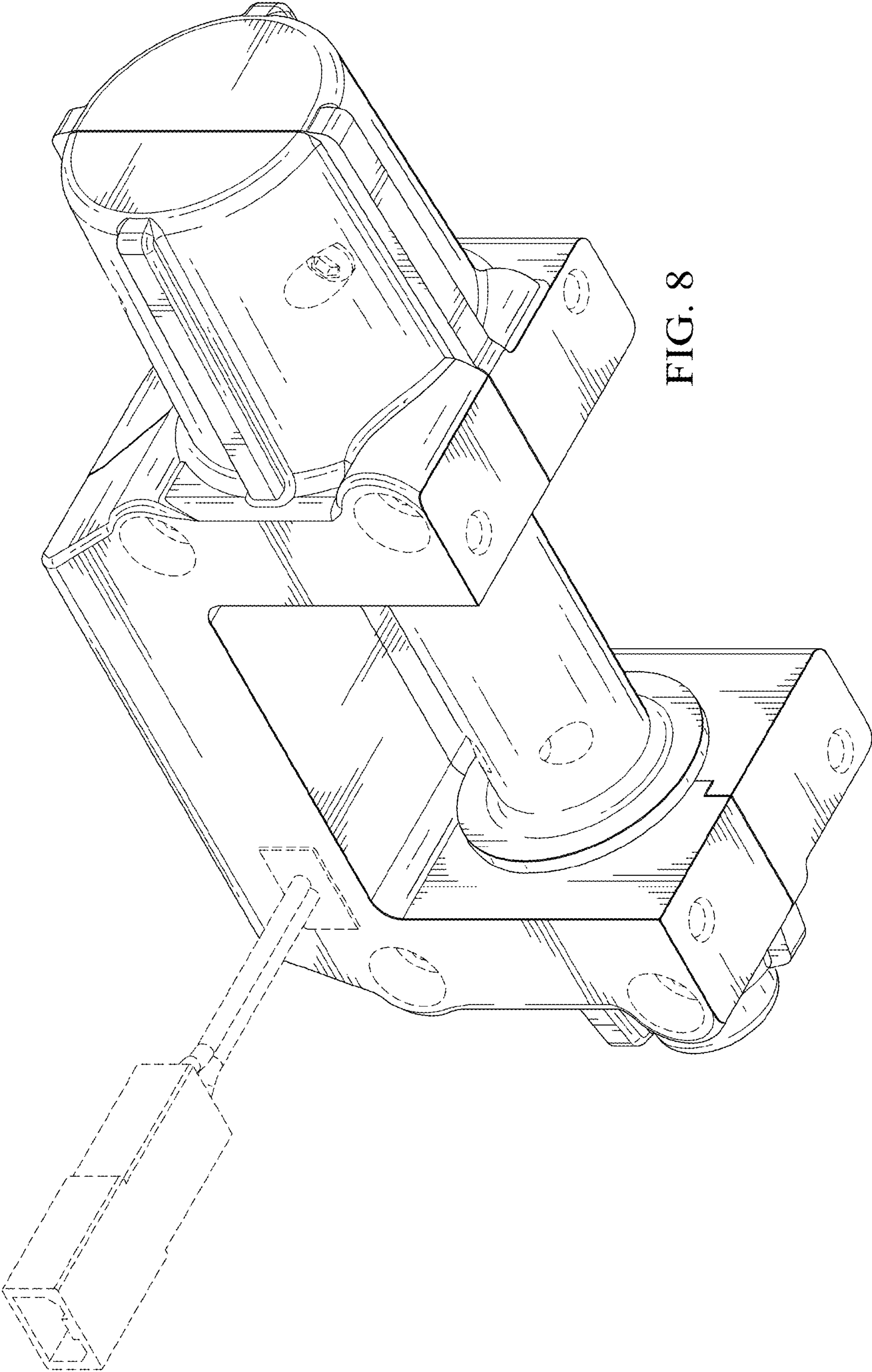


FIG. 8