



US00D936929S

(12) **United States Design Patent** (10) **Patent No.:** **US D936,929 S**
Joseph (45) **Date of Patent:** **** Nov. 23, 2021**

(54) **FOLDING RECYCLING BIN LID**
(71) Applicant: **JOSEPH JOSEPH LTD.**, London (GB)
(72) Inventor: **Antony Joseph**, London (GB)
(73) Assignee: **JOSEPH JOSEPH LTD.**, London (GB)
(**) Term: **15 Years**
(21) Appl. No.: **29/738,388**
(22) Filed: **Jun. 17, 2020**

D792,673 S * 7/2017 Lloyd D34/7
D796,766 S * 9/2017 Chen D34/7
D809,729 S * 2/2018 Chen D34/7
D836,278 S * 12/2018 Berberet B08B 9/08
D855,919 S * 8/2019 Yang D34/7
D860,570 S * 9/2019 Chen D34/7
D871,012 S * 12/2019 Chen D34/7
D872,959 S * 1/2020 Chen D34/7
D872,960 S * 1/2020 Chen D34/7
D877,441 S * 3/2020 Zhou D34/9
D903,217 S * 11/2020 Smeets D34/7
D905,367 S * 12/2020 Smeets D34/9
D909,002 S * 1/2021 Chang D34/9
D915,021 S * 3/2021 Massar D34/7
D922,718 S * 6/2021 Wang D34/11

(Continued)

(30) **Foreign Application Priority Data**

Dec. 17, 2019 (EM) 007419577

(51) **LOC (13) Cl.** **09-09**

(52) **U.S. Cl.**
USPC **D34/11**

(58) **Field of Classification Search**
USPC D34/1, 7, 8, 9, 10, 11
CPC B65F 1/163; B65F 1/16; B65F 2250/116;
B65F 2250/12; B65F 1/00; B65F 1/1638;
B65F 1/0033; B65F 1/122; B65F
2001/1669

See application file for complete search history.

(56) **References Cited**

U.S. PATENT DOCUMENTS

D250,744 S * 1/1979 Morin D34/5
D355,740 S * 2/1995 Kirchner D34/1
D362,932 S * 10/1995 Brightbill D32/37
D488,902 S * 4/2004 Yang D34/8
D580,613 S * 11/2008 Yang D34/7
D675,802 S * 2/2013 Yang D34/7
D725,860 S * 3/2015 Spivey D34/7
D762,037 S * 7/2016 Chen D34/7
D790,145 S * 6/2017 Chen D34/7

Primary Examiner — Cynthia Ramirez

(74) *Attorney, Agent, or Firm* — Millen, White, Zelano & Branigan, PC; Ryan Pool

(57) **CLAIM**

The ornamental design for a folding recycling bin lid, as shown and described.

DESCRIPTION

FIG. 1 is a perspective view of the folding recycling bin lid showing my new design.

FIG. 2 is a top perspective view in an open configuration thereof.

FIG. 3 is a front view thereof.

FIG. 4 is back view thereof.

FIG. 5 is a top view thereof.

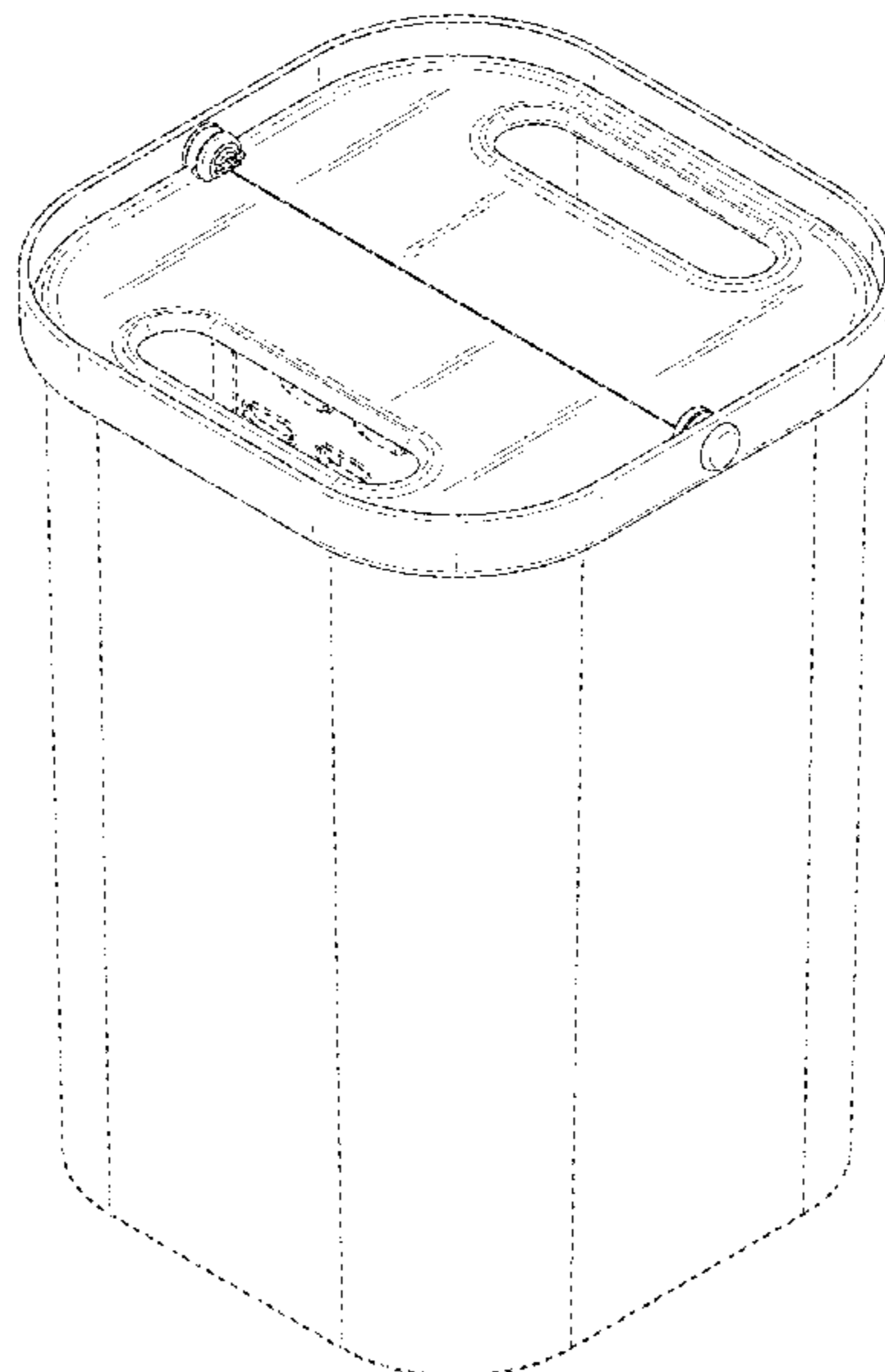
FIG. 6 is a bottom view thereof.

FIG. 7 is a side view thereof; and,

FIG. 8 is another side view thereof.

The broken lines in the drawings illustrate portions of the folding recycling bin lid which form no part of the claimed design.

1 Claim, 8 Drawing Sheets



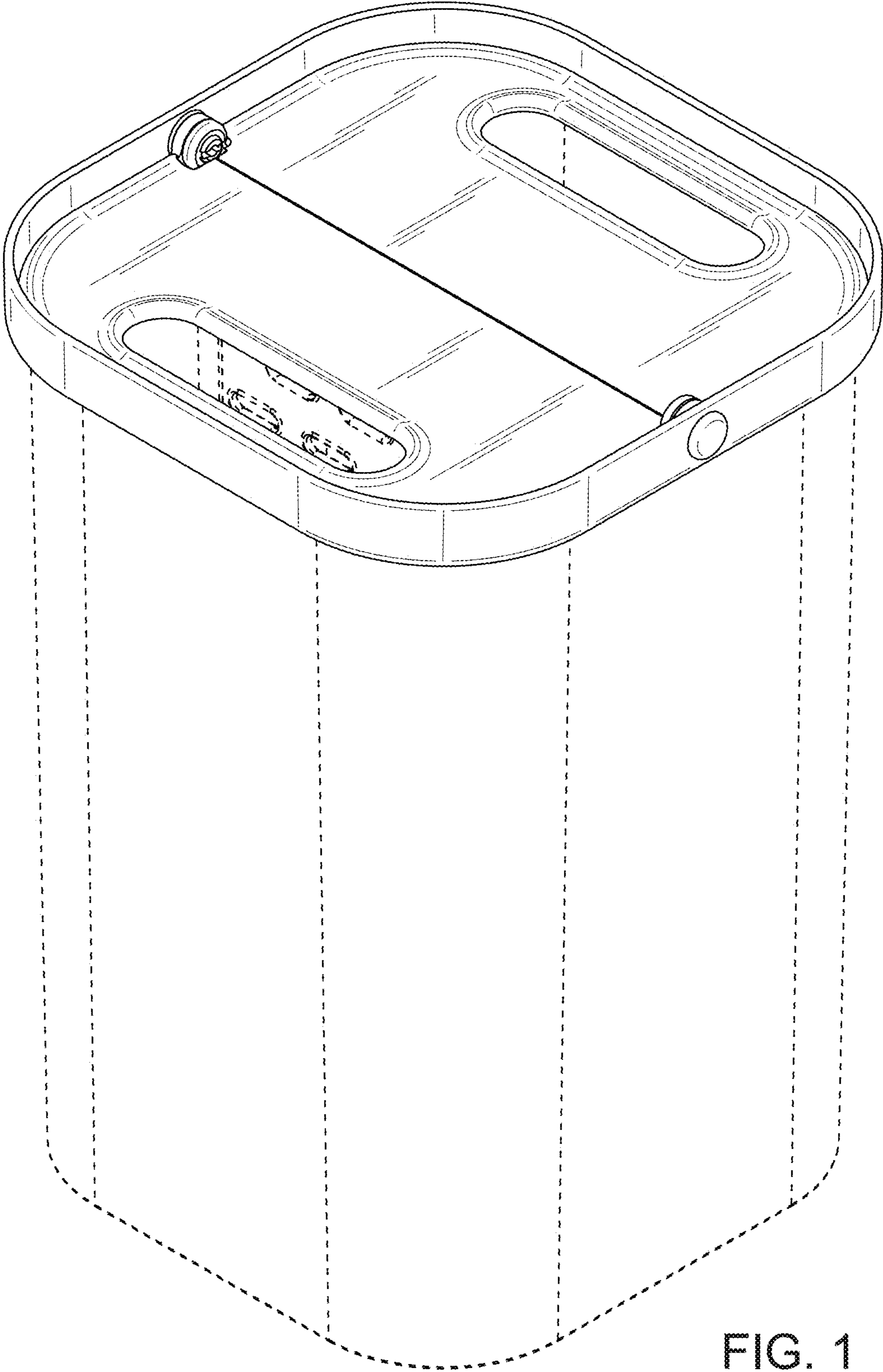
(56)

References Cited

U.S. PATENT DOCUMENTS

2009/0230131 A1* 9/2009 McDuffie B65F 1/163
220/495.06
2011/0049149 A1* 3/2011 Shih B65F 1/1607
220/260
2011/0220648 A1* 9/2011 Yang B65F 1/1638
220/211
2013/0277365 A1* 10/2013 Kaufman B65F 1/1623
220/8
2013/0298506 A1* 11/2013 Lucas B65B 1/02
53/452
2015/0251849 A1* 9/2015 Yang B65F 1/062
220/661
2016/0052711 A1* 2/2016 Fitzgerald B65F 1/06
220/495.08
2018/0079592 A1* 3/2018 Wang B65F 1/1646
2018/0305120 A1* 10/2018 Yang B65F 1/163
2019/0329977 A1* 10/2019 Sofy B65F 1/06
2020/0207544 A1* 7/2020 Pestl E05F 15/73
2020/0391939 A1* 12/2020 Wang A61L 2/24
2020/0391940 A1* 12/2020 Wang B65F 1/02
2021/0061559 A1* 3/2021 Fitzgerald B65F 1/1623

* cited by examiner



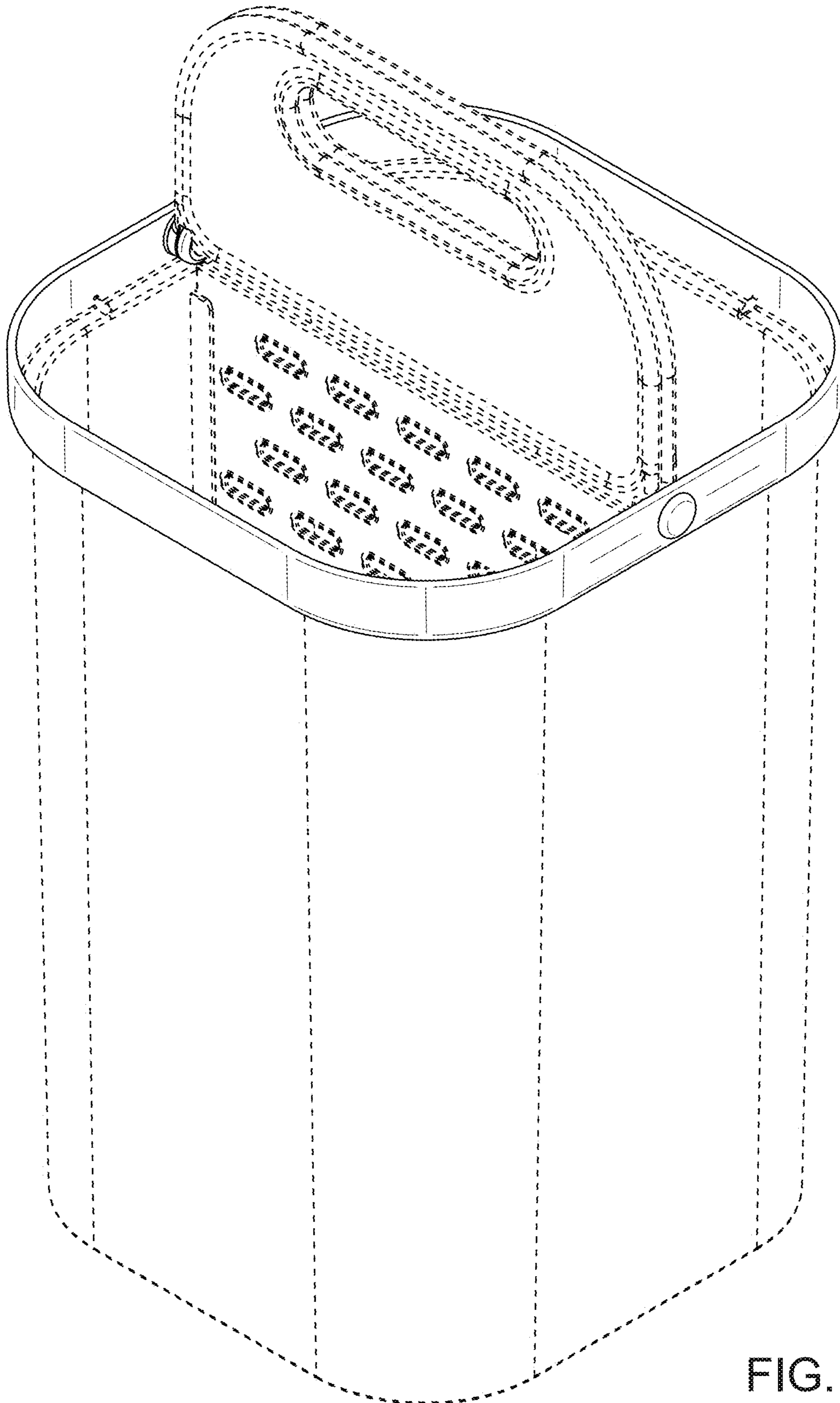


FIG. 2

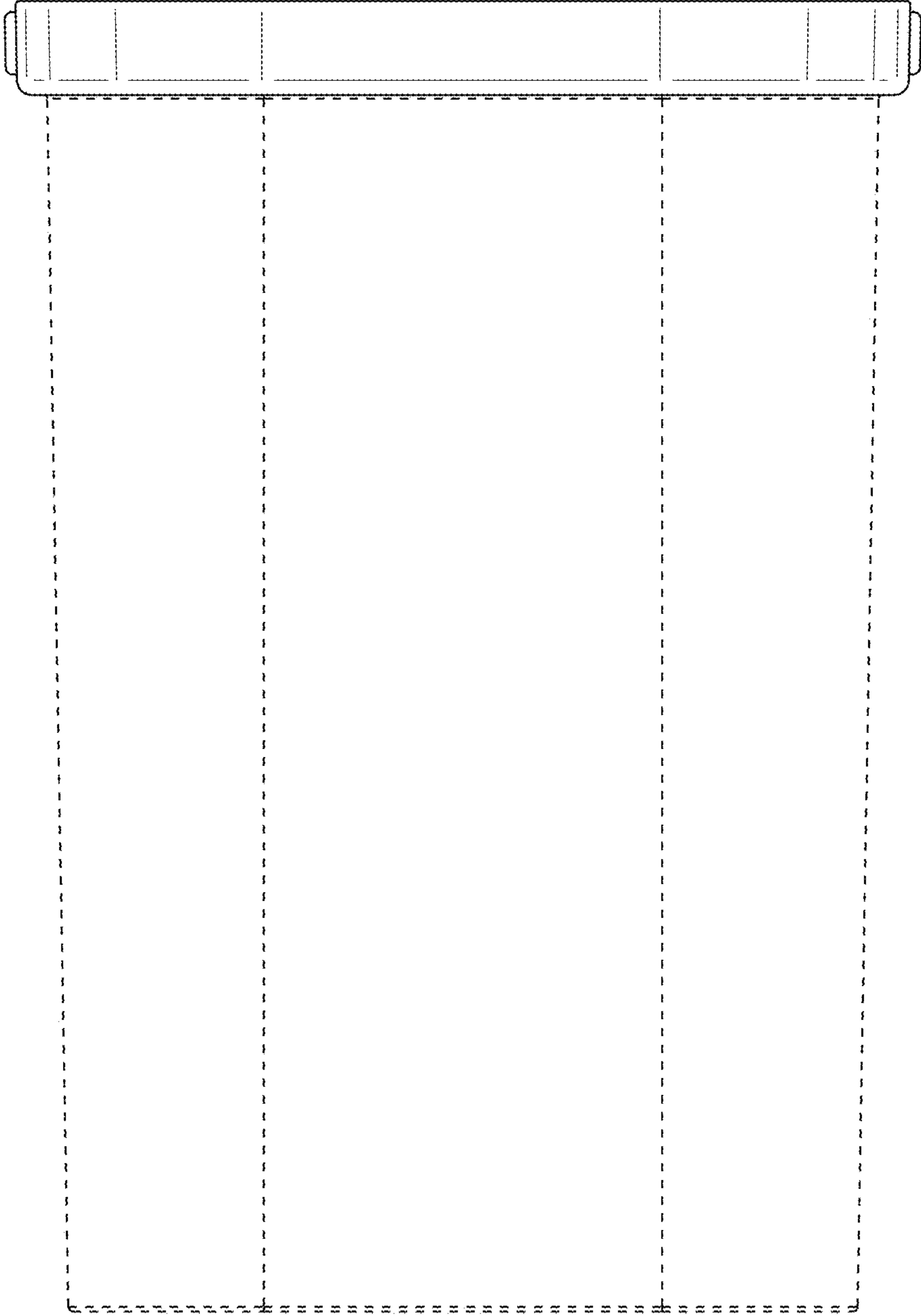


FIG. 3

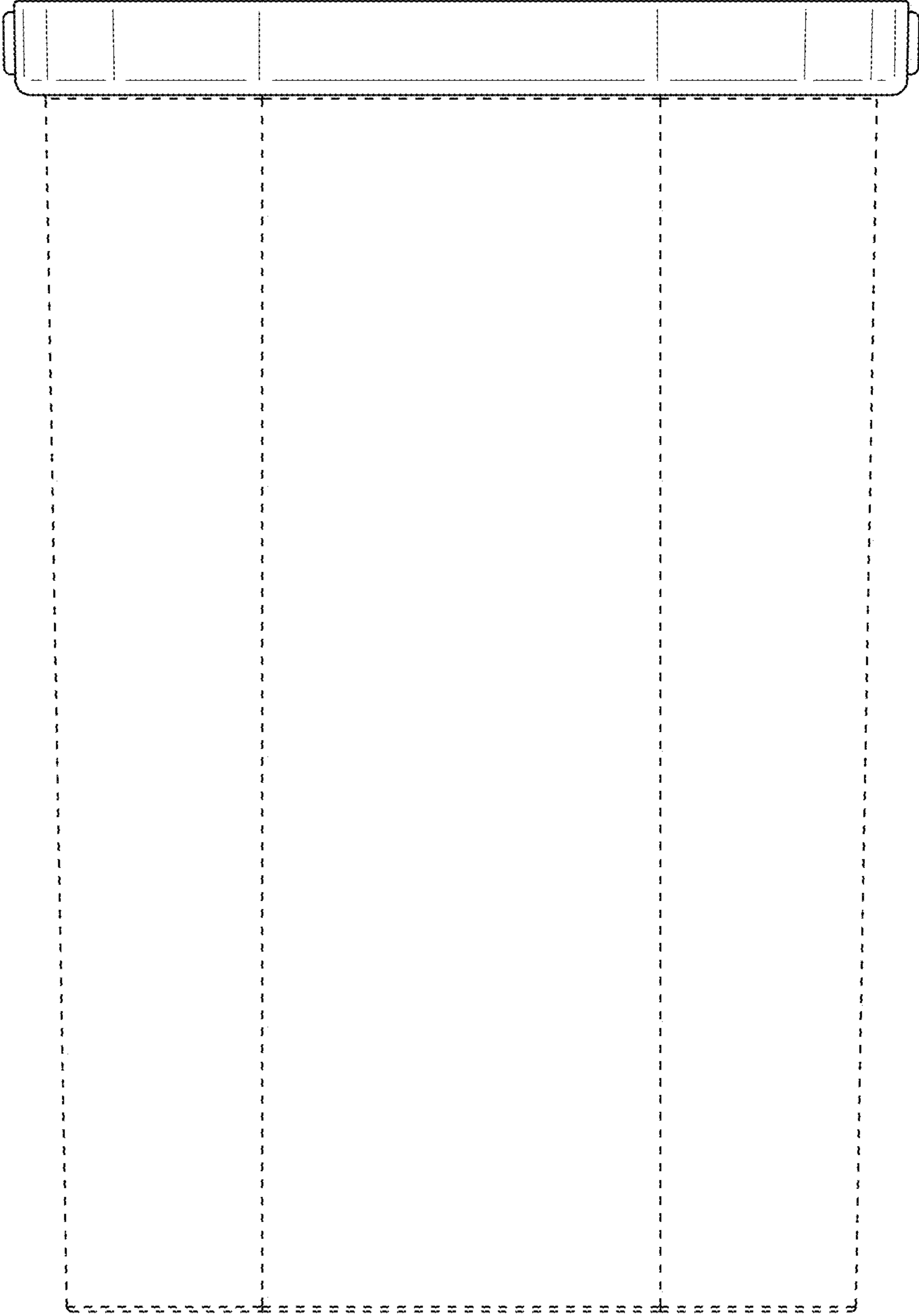


FIG. 4

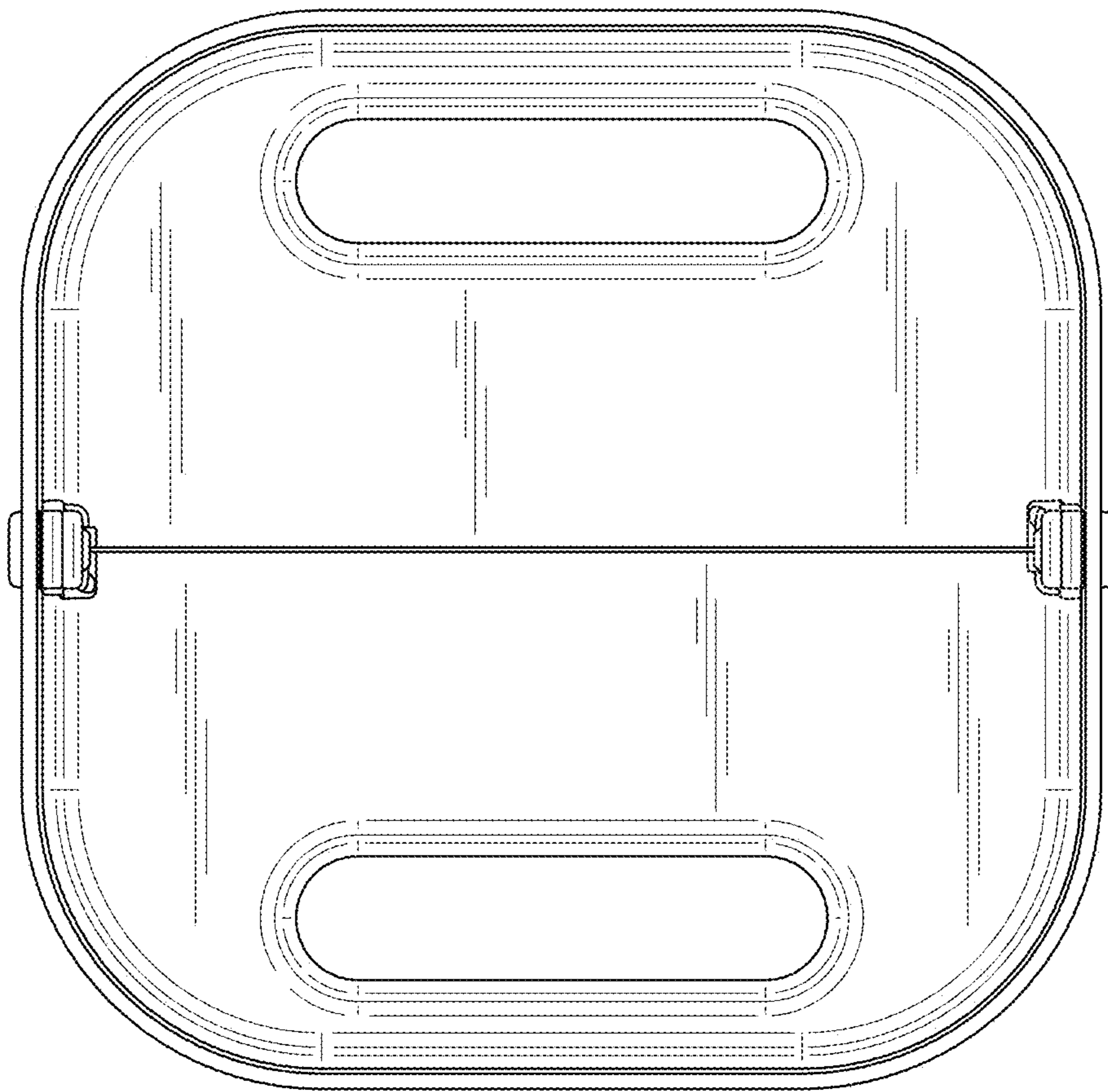


FIG. 5

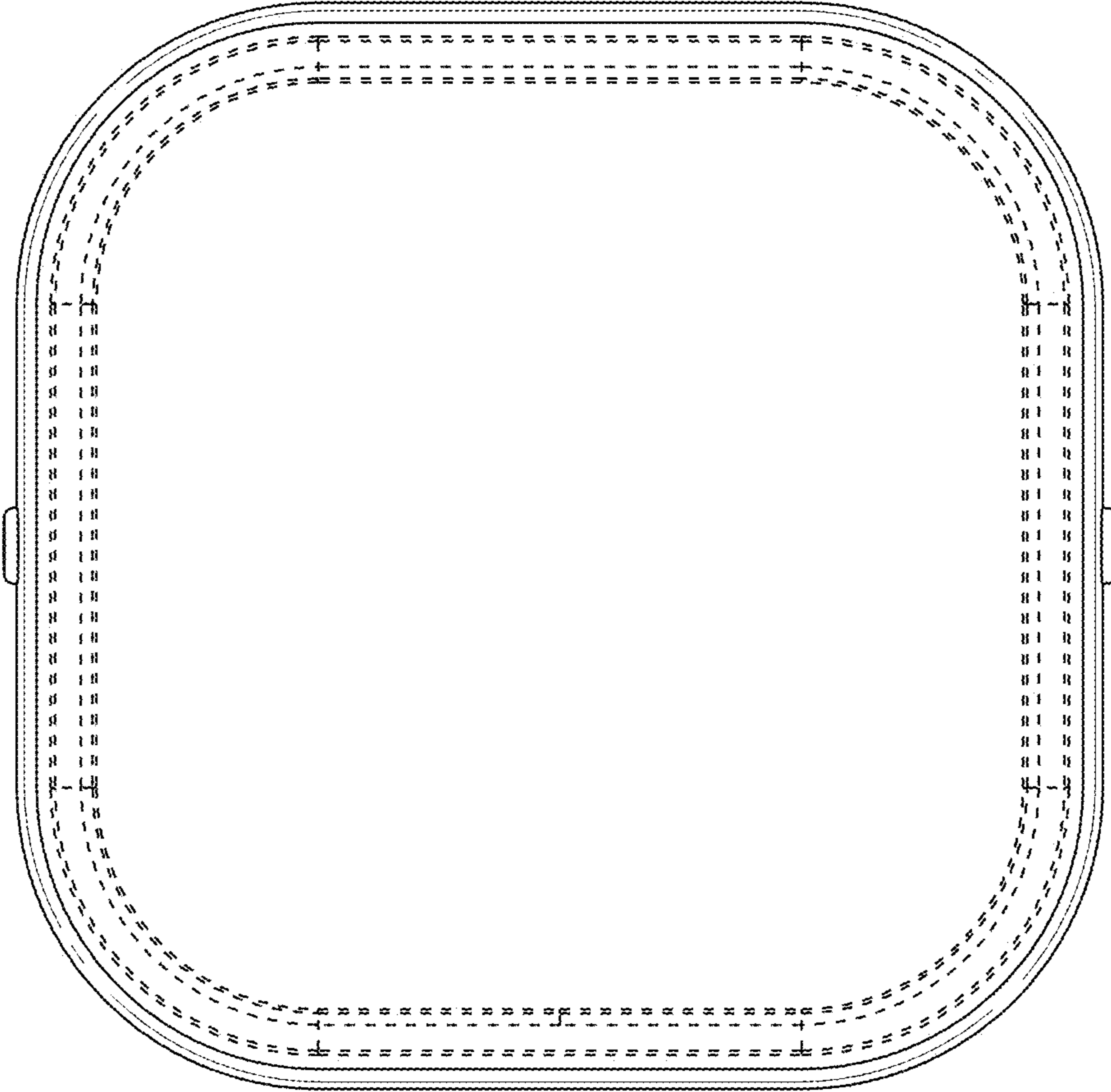


FIG. 6

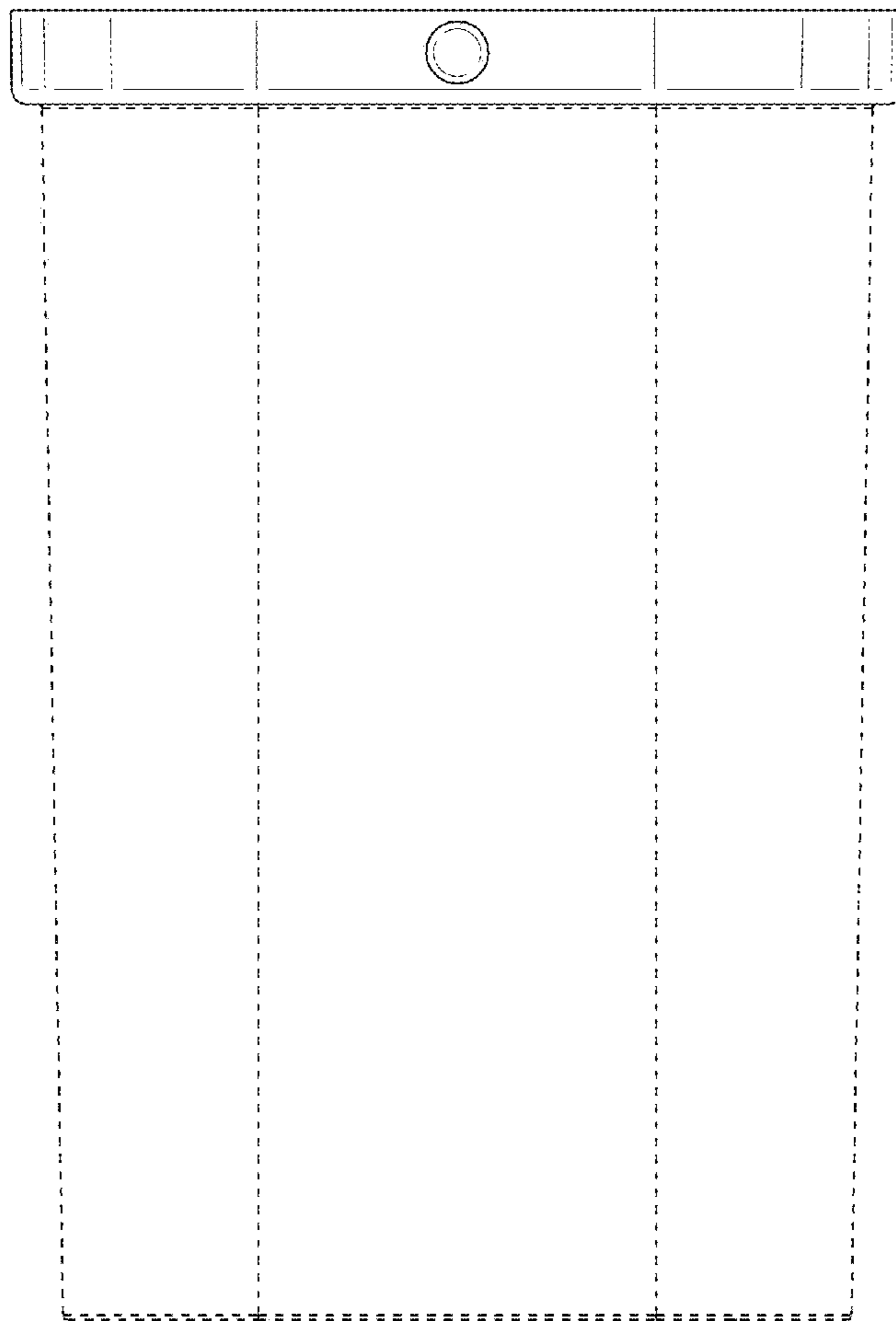


FIG. 7



FIG. 8