

US00D936926S

(12) **United States Design Patent** (10) **Patent No.:** **US D936,926 S**
Ghirardi (45) **Date of Patent:** **** Nov. 23, 2021**

(54) **WASTE GRINDING MACHINE**

F25D 25/04; F25D 2700/02; F25D 2700/06; F25D 2700/10; F25D 2700/12; F25D 27/005; F25D 29/005; F25D 29/008

(71) Applicant: **WASTE PROCESSING TECHNOLOGIES SRL**, Rome (IT)

See application file for complete search history.

(72) Inventor: **Simone Ghirardi**, Rome (IT)

(56) **References Cited**

(73) Assignee: **WASTE PROCESSING TECHNOLOGIES SRL**, Rome (IT)

U.S. PATENT DOCUMENTS

(**) Term: **15 Years**

| | | | | |
|--------------|---------|-----------|-------|---------------------|
| D187,898 S * | 5/1960 | Sherman | | D34/1.1 |
| D216,695 S * | 3/1970 | Hogarth | | D34/1.1 |
| D236,472 S * | 8/1975 | Banks | | D34/1.1 |
| D533,702 S * | 12/2006 | Messier | | D34/7 |
| D534,327 S * | 12/2006 | Messier | | D34/1 |
| D549,418 S * | 8/2007 | Boydston | | D34/1 |
| D566,920 S * | 4/2008 | Boydston | | D34/1 |
| D620,218 S * | 7/2010 | Larin | | B65F 1/122 D34/1 |
| D797,394 S * | 9/2017 | Nichols | | D34/10 |
| D815,383 S * | 4/2018 | Moseley | | D34/1 |
| D844,925 S * | 4/2019 | Picarazzi | | D34/1 |

(21) Appl. No.: **35/509,369**

(22) Filed: **Nov. 15, 2019**

(80) **Hague Agreement Data**

Int. Filing Date: **Nov. 15, 2019**
Int. Reg. No.: **DM/206870**
Int. Reg. Date: **Nov. 15, 2019**
Int. Reg. Pub. Date: **May 15, 2020**

* cited by examiner

(30) **Foreign Application Priority Data**

May 17, 2019 (EM) 006477279

Primary Examiner — Khawaja Anwar

(74) *Attorney, Agent, or Firm* — Howson & Howson LLP

(51) **LOC (13) Cl.** **23-99**

(57) **CLAIM**

(52) **U.S. Cl.**
USPC **D34/1**

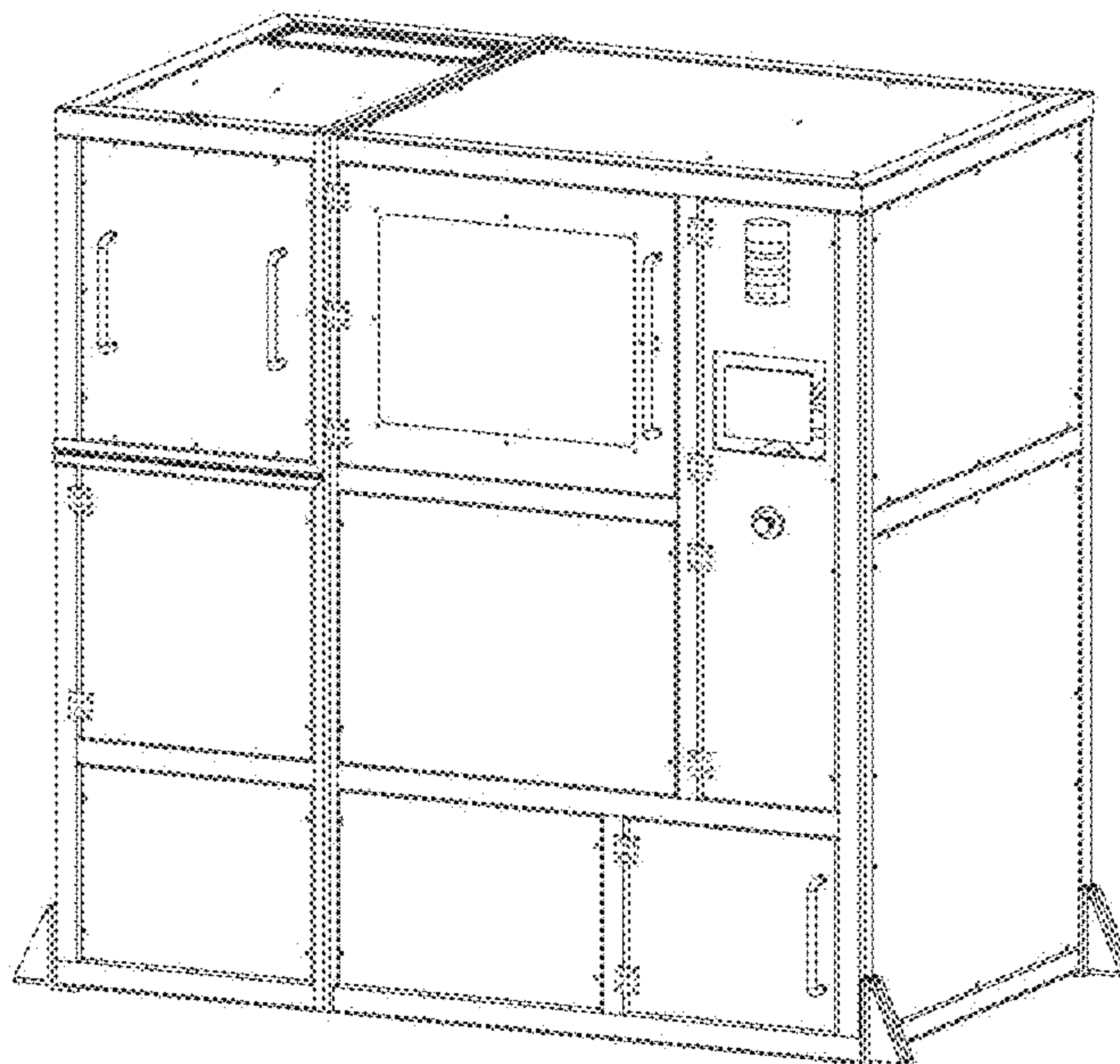
The ornamental design for a waste grinding machine, as shown and described.

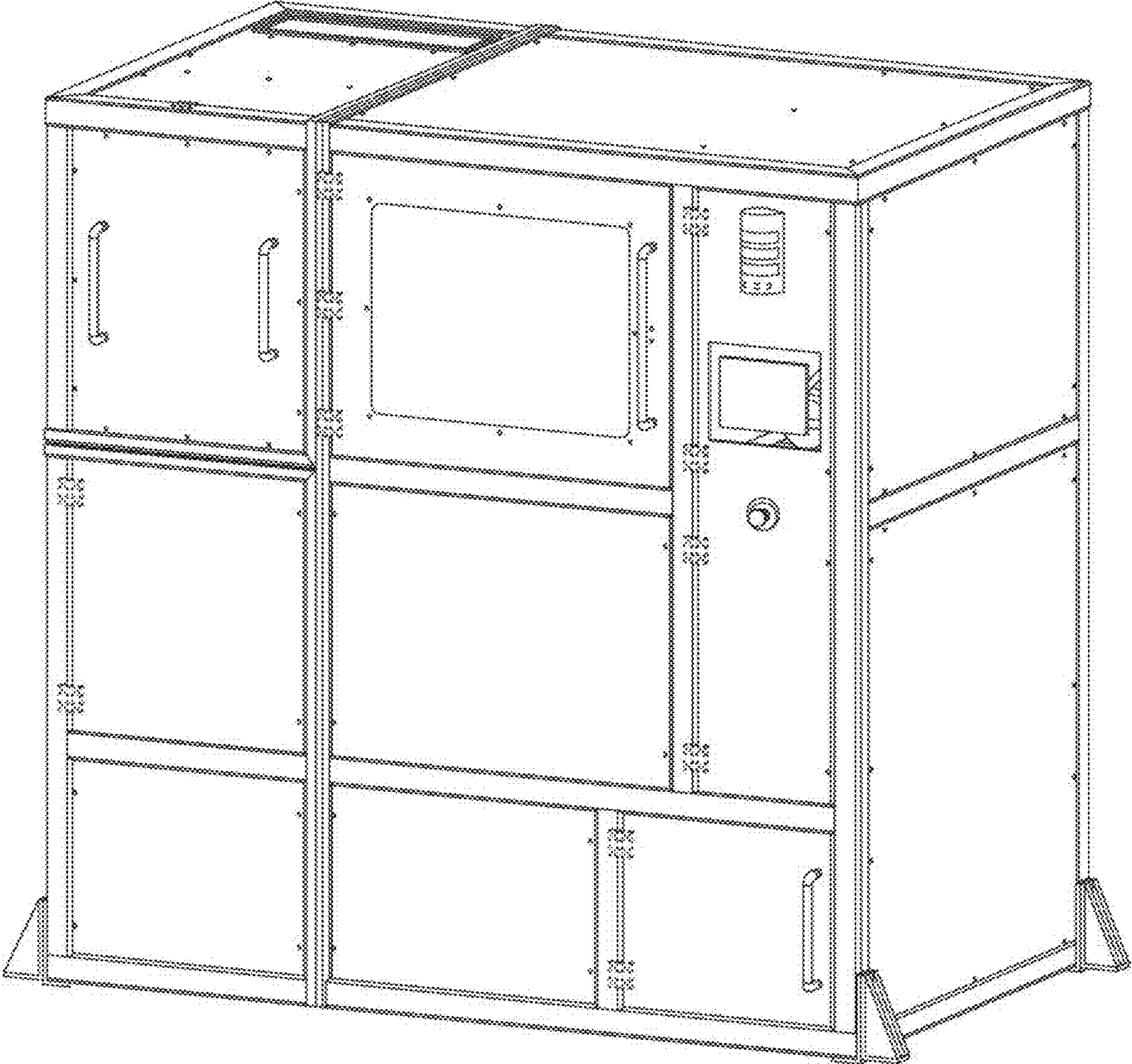
(58) **Field of Classification Search**
USPC D34/1, 7, 9, 10, 11
CPC .. F25D 17/062; F25D 2400/361; F25D 25/02; F25D 2700/04; F25D 29/00; F25D 11/003; F25D 11/022; F25D 13/06; F25D 13/067; F25D 17/02; F25D 17/042; F25D 17/065; F25D 17/067; F25D 2317/04131; F25D 2325/023; F25D 2327/001; F25D 23/08; F25D 23/126; F25D 2400/26; F25D 2400/30; F25D 2500/06; F25D 25/005; F25D 25/024; F25D 25/025;

DESCRIPTION

1. Waste grinding machine
The design is a waste grinding machine; reproduction 1.1 is a perspective view of the waste grinding machine, the broken lines depict portions of the waste grinding machine that form no part of the claimed design.

1 Claim, 1 Drawing Sheet





1.1