



US00D936924S

(12) **United States Design Patent**  
**Kaicker et al.**

(10) **Patent No.:** **US D936,924 S**

(45) **Date of Patent:** **\*\* Nov. 23, 2021**

(54) **POLISHING MAT**

(71) Applicant: **Anisa International, Inc.**, Atlanta, GA  
(US)

(72) Inventors: **Anisa Telwar Kaicker**, Atlanta, GA  
(US); **Shuai Chen**, Atlanta, GA (US)

(73) Assignee: **Anisa International, Inc.**, Atlanta, GA  
(US)

(\*\*) Term: **15 Years**

(21) Appl. No.: **29/734,144**

(22) Filed: **May 8, 2020**

(51) **LOC (13) Cl.** ..... **07-05**

(52) **U.S. Cl.**  
USPC ..... **D32/57**

(58) **Field of Classification Search**  
USPC ..... D32/55, 57; D30/133; D6/510, 525;  
D4/199

CPC ..... A47J 47/20; A47J 2201/00; A47J 47/00;  
B65D 35/02; B65D 35/22; B65D 35/56;  
A46B 17/06; A47L 13/10; A47L 13/12;  
A47L 13/28

See application file for complete search history.

(56) **References Cited**

**U.S. PATENT DOCUMENTS**

- D628,422 S \* 12/2010 Meyers ..... D6/583
- D650,730 S \* 12/2011 Jeackjuntra ..... D12/203
- 9,015,895 B2 4/2015 Filho et al.
- D746,010 S \* 12/2015 Xavier ..... D32/57
- 9,345,316 B2 5/2016 Filho et al.
- 9,345,379 B2 5/2016 Filho et al.
- 9,474,361 B2 10/2016 Filho et al.
- 9,492,050 B2 11/2016 Filho et al.
- D782,763 S 3/2017 Xavier et al.
- D782,764 S 3/2017 Xavier et al.
- D790,788 S 6/2017 Xavier et al.
- D792,041 S 7/2017 Xavier et al.
- D793,933 S \* 8/2017 Alesi ..... D12/203

- D800,043 S \* 10/2017 Alesi ..... D12/203
- 9,888,764 B2 2/2018 Xavier et al.
- 9,924,790 B2 3/2018 Xavier et al.
- D814,805 S \* 4/2018 Hwang ..... D4/199
- D830,025 S \* 10/2018 Huang ..... D32/35
- D845,852 S \* 4/2019 Johnson ..... D12/203
- D866,429 S \* 11/2019 Johnson ..... D12/203
- D887,934 S \* 6/2020 Diamond ..... D12/203

(Continued)

**OTHER PUBLICATIONS**

amazon.com; Article entitled: "LORMAY Silicone Makeup Brush Organizer + Makeup Brush Cleaning Mat + Brush Holder for Air Drying. East to Mount to Wall, Mirror, Dresser, or Tile (Mint Green)", located at <[https://www.amazon.com/LORMAY-Organizer-Cleaning-Container-Accessories-Makeup/dp/B07G5TLMFG/ref=cm\\_cr\\_arp\\_d\\_product\\_top?ie=UTF8](https://www.amazon.com/LORMAY-Organizer-Cleaning-Container-Accessories-Makeup/dp/B07G5TLMFG/ref=cm_cr_arp_d_product_top?ie=UTF8)>, accessed on May 4, 2020, 6 pgs.

(Continued)

*Primary Examiner* — Philip S Hyder  
(74) *Attorney, Agent, or Firm* — Taylor English Duma LLP

(57) **CLAIM**

We claim the ornamental design for a polishing mat, as shown and described.

**DESCRIPTION**

FIG. 1 is a perspective view of an aspect of the polishing mat.

FIG. 2 is a front elevation view thereof.

FIG. 3 is a rear elevation view thereof.

FIG. 4 is a left-side elevation view thereof.

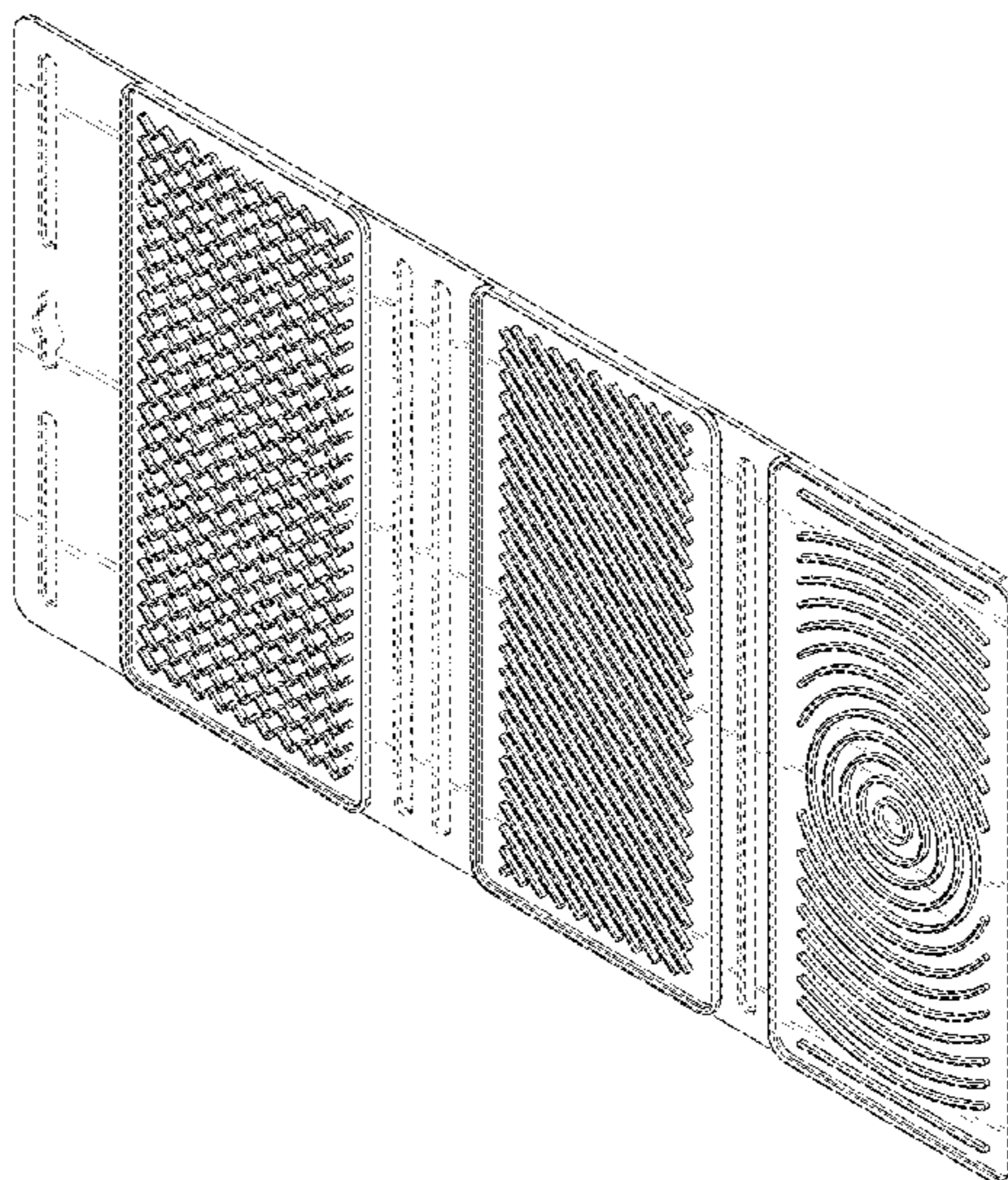
FIG. 5 is a right-side elevation view thereof.

FIG. 6 is a top plan view thereof; and,

FIG. 7 is a bottom plan view thereof.

Those features shown in broken lines, including a plurality of openings, shown in FIGS. 1-3, and a tab, shown in FIGS. 3-7, form no part of the claimed design.

**1 Claim, 5 Drawing Sheets**



(56)

**References Cited**

U.S. PATENT DOCUMENTS

D919,212 S \* 5/2021 Li ..... D32/35  
2015/0027496 A1\* 1/2015 Xavier ..... A46B 17/06  
134/6

OTHER PUBLICATIONS

Kaicker, Anisa Telway; Notice of Allowance for Design U.S. Appl.  
No. 29/734,143, filed May 8, 2020, dated Jul. 9, 2021, 12 pgs.

\* cited by examiner

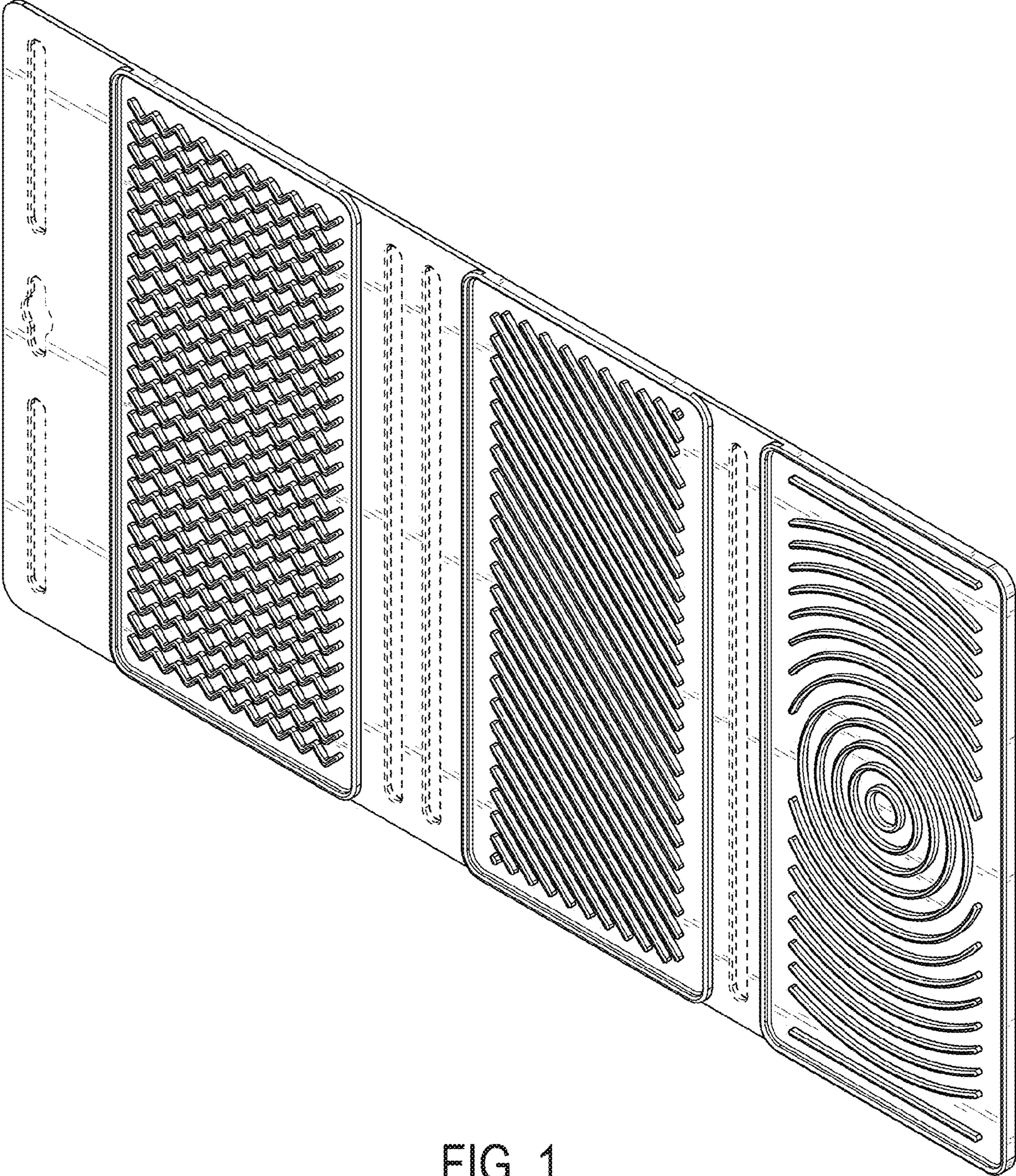


FIG. 1

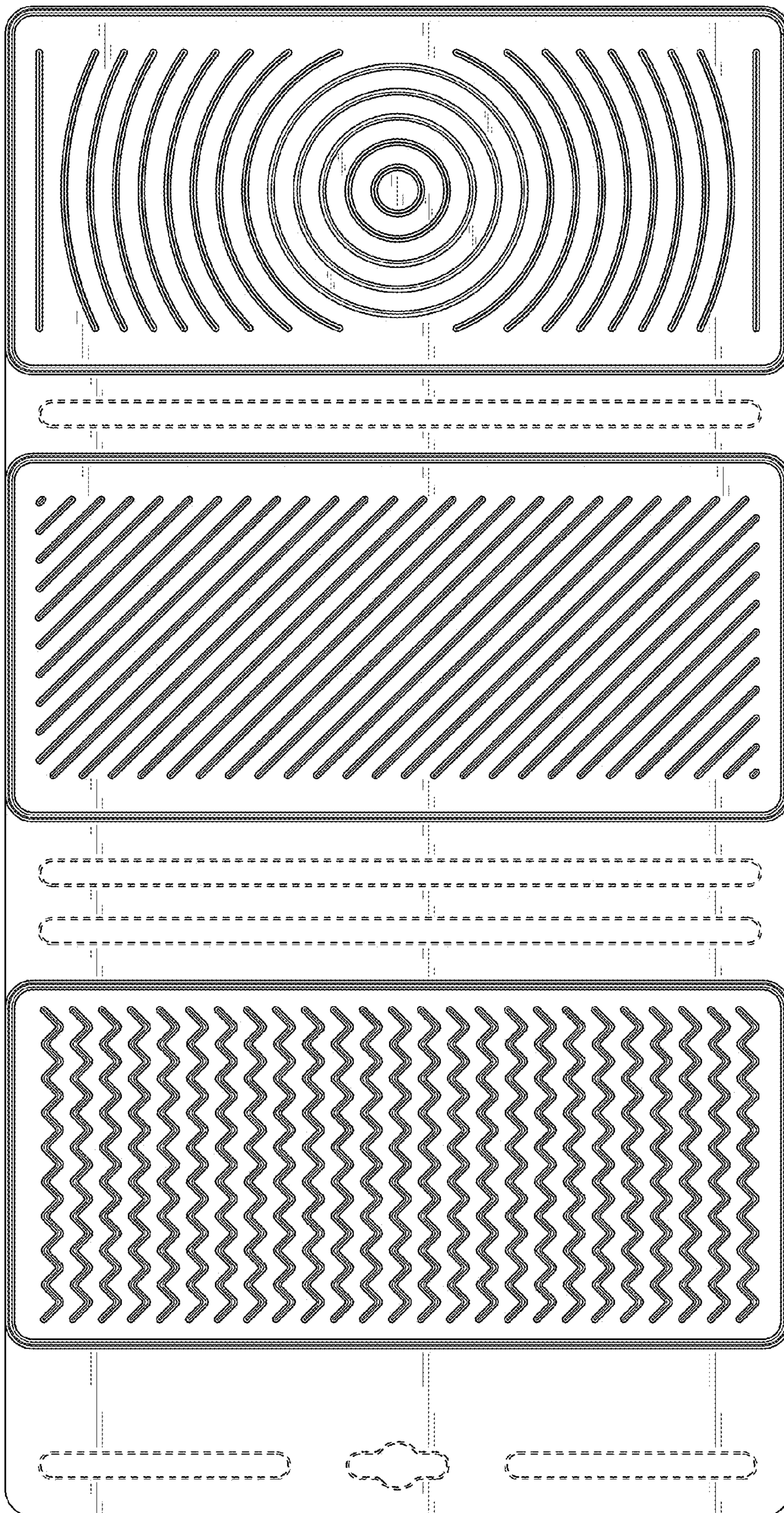


FIG. 2

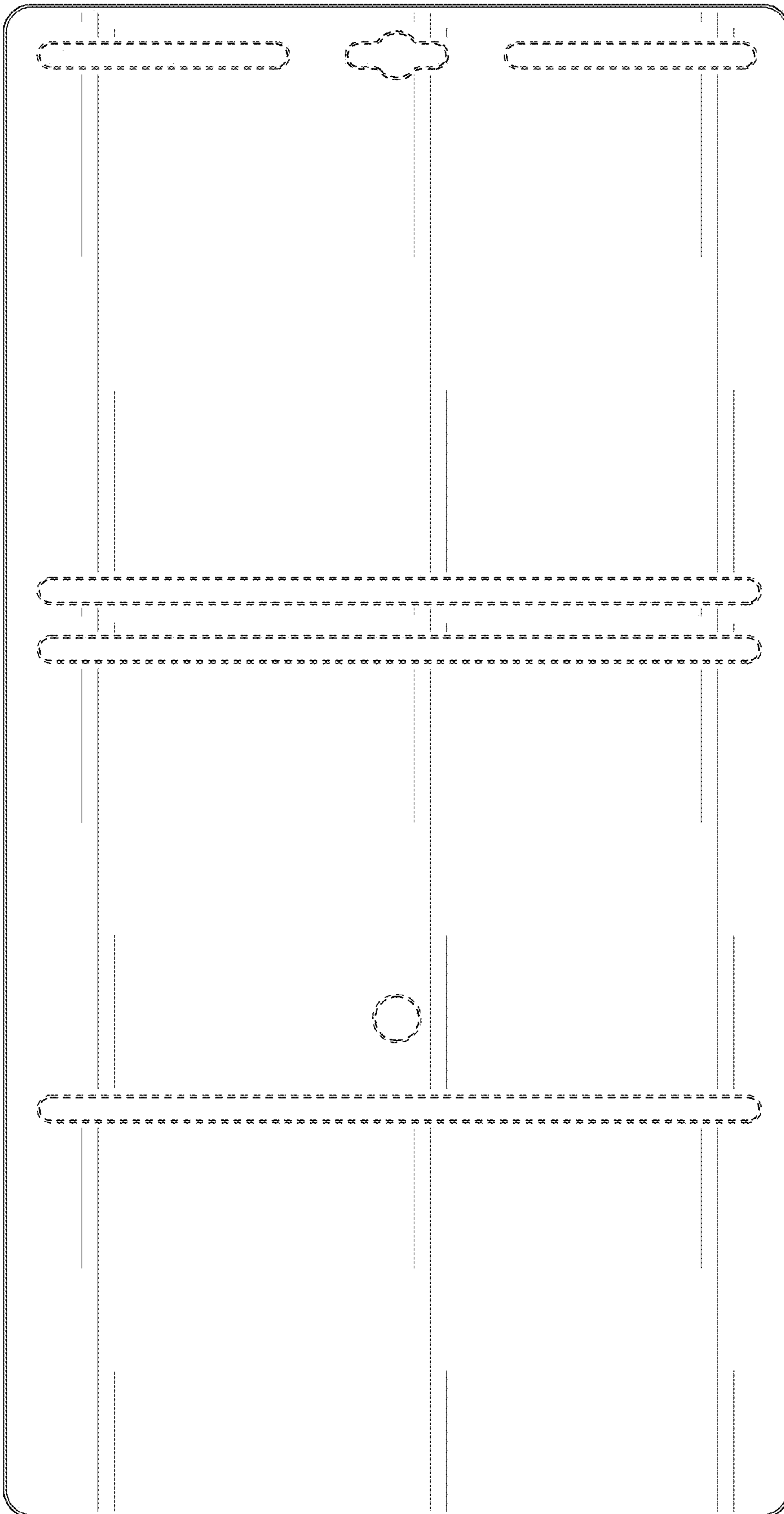


FIG. 3



FIG. 4

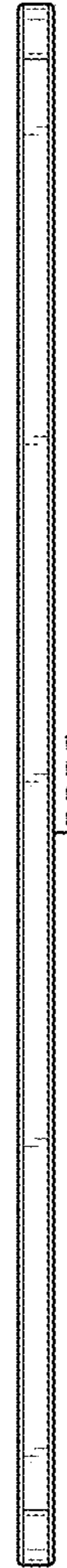


FIG. 5



FIG. 6

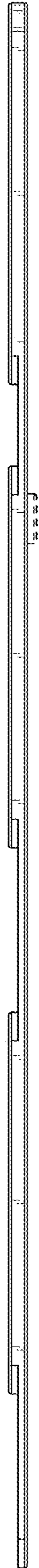


FIG. 7