



US00D936917S

(12) **United States Design Patent**  
**Li**

(10) **Patent No.:** **US D936,917 S**  
(45) **Date of Patent:** **\*\* Nov. 23, 2021**

(54) **DOG TRAINING DEVICE**

(71) Applicant: **Shenzhen Huihongyuan Technology Co., Ltd.**, Shenzhen (CN)

(72) Inventor: **Li Li**, Hunan (CN)

(\*\*) Term: **15 Years**

(21) Appl. No.: **29/709,436**

(22) Filed: **Oct. 15, 2019**

(30) **Foreign Application Priority Data**

Aug. 5, 2019 (CN) ..... 201930420522.0

(51) **LOC (13) Cl.** ..... **30-99**

(52) **U.S. Cl.**  
USPC ..... **D30/199**; D10/104.1

(58) **Field of Classification Search**  
USPC ..... D30/151–155, 144, 199, 160;  
119/792–798, 850, 855–859, 863–865,  
119/654, 905, 907, 815, 712, 802, 784,  
119/769, 760, 776, 862, 908, 860,  
119/719–721; 242/381.1–381.2, 385.4,  
242/378.3, 376.1, 385.1, 916, 601, 570,  
242/405, 404, 371, 223, 170, 388.1,  
242/405.2, 377, 381.3, 381.6, 405.3,  
242/388.6, 384.7, 382, 396.1, 404.1, 380;  
362/108; 33/767, 769, 414; D12/400;  
D3/229, 230, 207, 208, 215; 40/1.5, 455,  
40/640, 303; 206/63.3, 459.5, 702, 408;  
D6/515; D8/358, 360, 347, 360.1, 359,  
D8/356, DIG. 1; D24/145, 167, 186, 146,  
D24/169; D10/57, 72, 106.1, 104.1,  
D10/104.2, 109.2, 70, 97, 98, 78, 65;  
D20/28; 224/666, 678; 16/445; 283/74,  
283/70; D11/232, 200, 216, 1, 2, 86, 87,  
D11/201, 206–210, 212–215, 218;  
24/163 K, 122.3, 323, 702, 600.4–600.7,  
24/163 R, 169–171, 173, 177–179, 191,  
24/194, 195, 197, 200, 303, 616, 635,

24/313, 615, 3, 6, 3 K, 599.2, 96, 221,  
24/237, 311, 312, 314, 321, 338, 339,  
24/309; 428/3, 4; 54/76, 1, 71; 63/29.1,  
63/3; 191/12.2 R, 12.4; D13/154, 153,  
D13/137.4, 155, 103, 168; D19/69, 67;  
379/438; 446/26; 473/576; D22/140;  
174/135; 439/504, 13, 501; D34/33;  
188/83, 82.1, 65.1; 254/134.3 FT;  
D29/124; D2/627, 624, 633, 625;  
132/145, 146, 148; 2/314; 59/79.1;  
340/573.3, 573.1, 573, 573.4,  
340/539.13–539.19; 343/895;

(Continued)

(56) **References Cited**

**U.S. PATENT DOCUMENTS**

D576,128 S \* 9/2008 Tran ..... D14/137  
D616,844 S \* 6/2010 Xia ..... D14/137

(Continued)

*Primary Examiner* — Susan Moon Lee

(74) *Attorney, Agent, or Firm* — Prakash Nama; Global IP Services, PLLC

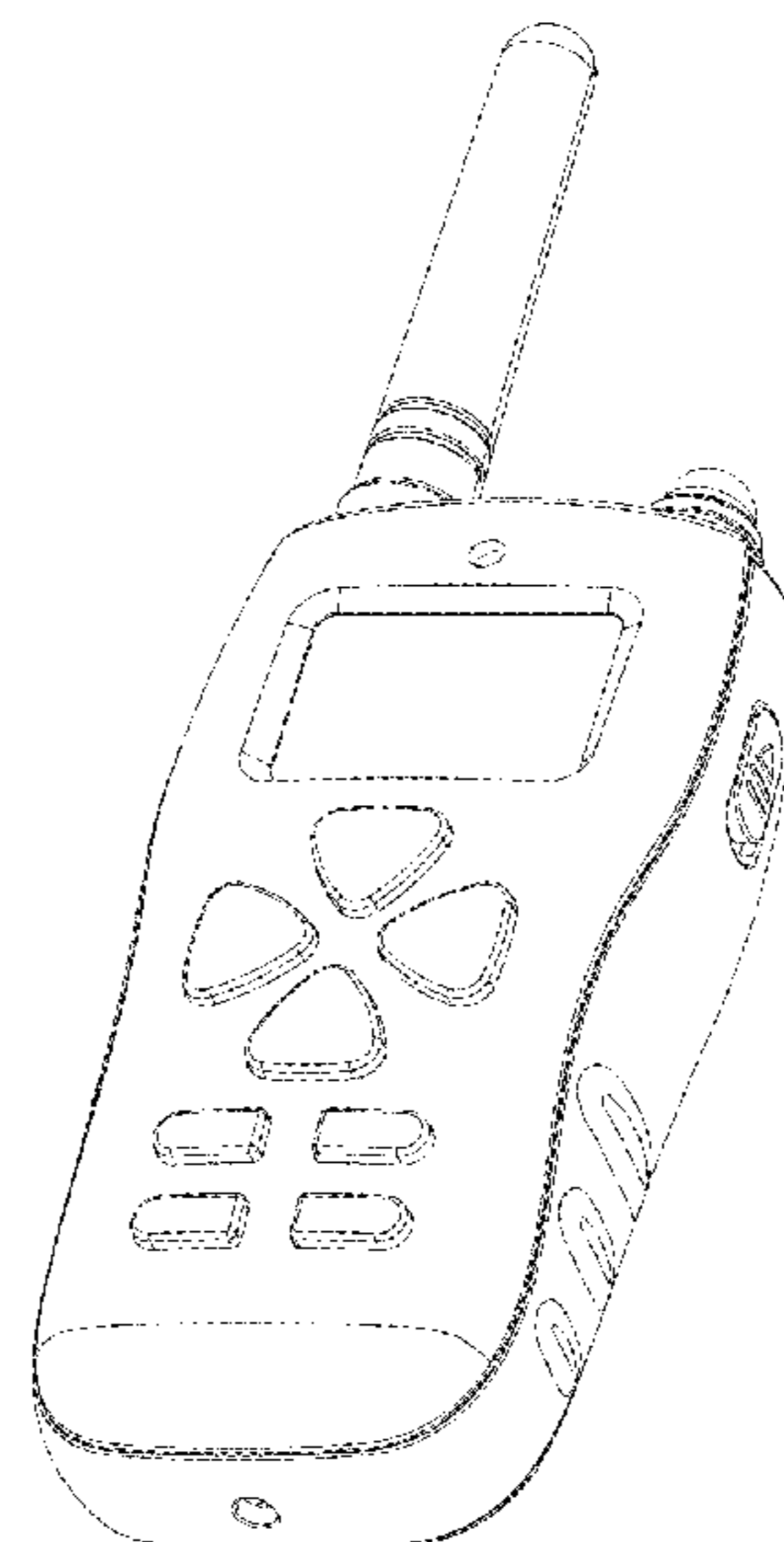
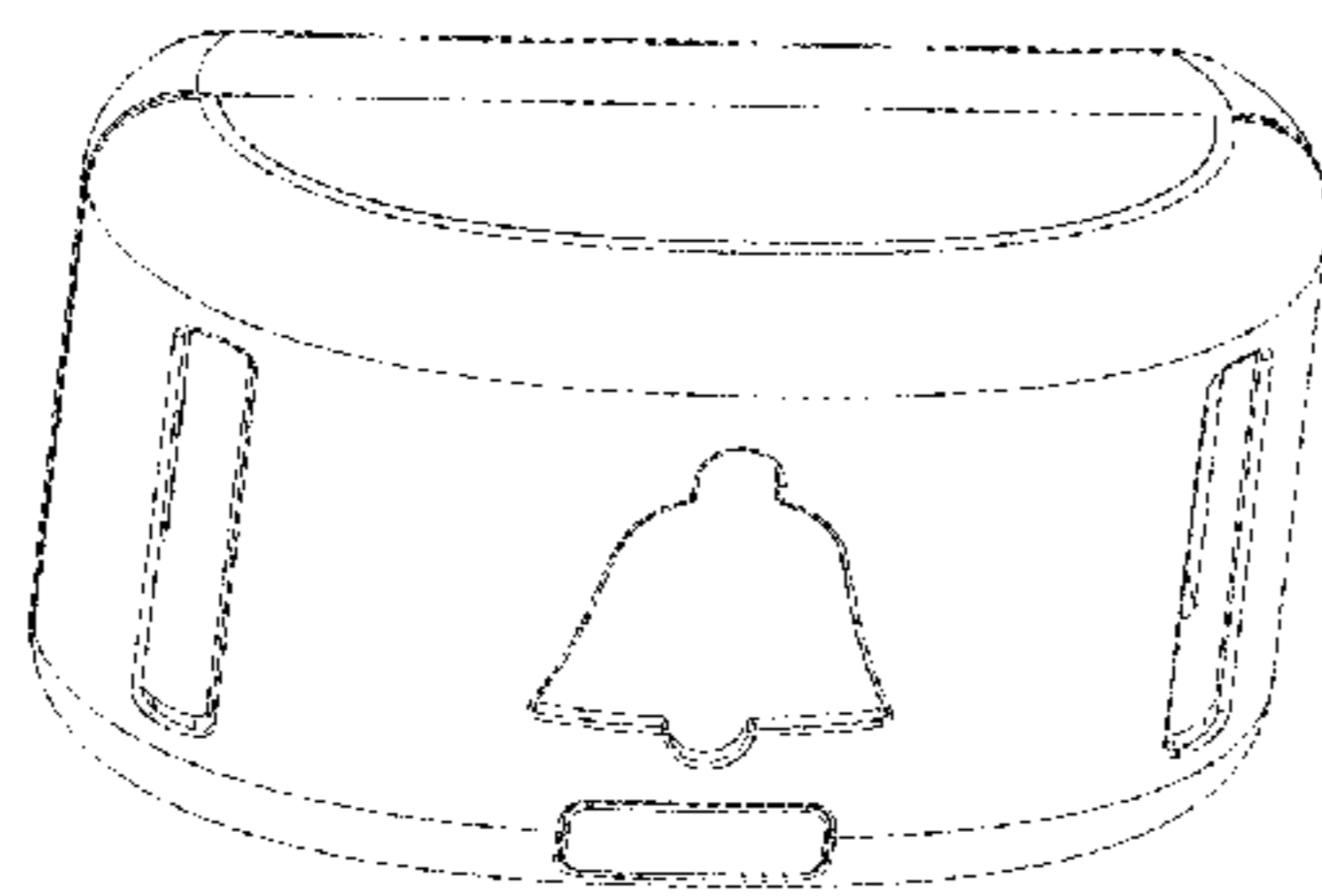
(57) **CLAIM**

The ornamental design for a dog training device, as shown.

**DESCRIPTION**

FIG. 1 is a front elevational view of a dog training device showing my new design;  
FIG. 2 is a rear elevational view thereof;  
FIG. 3 is a left side view thereof;  
FIG. 4 is a right side view thereof;  
FIG. 5 is a top plan view thereof;  
FIG. 6 is a bottom plan view thereof;  
FIG. 7 is a perspective view thereof; and,  
FIG. 8 is another perspective view thereof.

**1 Claim, 8 Drawing Sheets**



(58) **Field of Classification Search**

USPC ..... 278/8 AES; 231/7; 361/232; D14/344,  
 D14/341, 137, 155, 496, 203.5, 203.3,  
 D14/144, 218, 188, 216, 192;  
 342/357.51, 357.57, 357.52, 357.55;  
 455/100, 352, 456.1, 550.1; 315/291  
 CPC .... A01K 15/021; A01K 15/02; A01K 15/022;  
 A01K 15/023; A01K 15/029; A01K  
 15/04; A01K 15/00; A01K 15/006; A01K  
 12/022; A01K 27/009; A01K 27/00;  
 A01K 27/001; A01K 27/006-008; A01K  
 29/005; A01K 29/00; A61B 5/0002-0028;  
 A61B 5/681; A61B 5/6822; A61B  
 5/6824; A61B 5/6829; G01S 5/0294  
 See application file for complete search history.

(56) **References Cited**

U.S. PATENT DOCUMENTS

D624,838 S \* 10/2010 Chen ..... D10/78  
 D666,367 S \* 8/2012 Miller ..... D30/152  
 D700,148 S \* 2/2014 Paul ..... D13/168  
 D706,500 S \* 6/2014 Hu ..... D30/199  
 D719,708 S \* 12/2014 Ye ..... D30/199  
 D721,861 S \* 1/2015 Guo ..... D30/199  
 D762,333 S \* 7/2016 Pulliam ..... D30/199  
 D798,003 S \* 9/2017 Dong ..... D30/199  
 D806,593 S \* 1/2018 Sova ..... D10/78  
 D811,016 S \* 2/2018 Liu ..... D30/152  
 D815,372 S \* 4/2018 Goetzl ..... D30/199

D816,632 S \* 5/2018 Yamamoto ..... D14/137  
 D819,280 S \* 5/2018 Li ..... D30/199  
 D822,921 S \* 7/2018 Wen ..... D30/199  
 D822,922 S \* 7/2018 Wen ..... D30/199  
 D835,860 S \* 12/2018 Li ..... D30/199  
 D861,259 S \* 9/2019 Dong ..... D30/152  
 D862,812 S \* 10/2019 Jia ..... D30/199  
 D870,399 S \* 12/2019 Van Curen ..... D30/152  
 D872,383 S \* 1/2020 Darnell ..... D30/152  
 D879,390 S \* 3/2020 Cai ..... D30/199  
 D880,442 S \* 4/2020 Wang ..... D14/137  
 D886,394 S \* 6/2020 Dong ..... D30/152  
 D890,456 S \* 7/2020 Dai ..... D30/199  
 D891,385 S \* 7/2020 Zhang ..... D14/137  
 D892,757 S \* 8/2020 Pang ..... D14/137  
 D898,308 S \* 10/2020 Yang ..... D30/199  
 D904,214 S \* 12/2020 Zinn ..... D10/104.1  
 D904,702 S \* 12/2020 Jia ..... D30/199  
 D924,827 S \* 7/2021 Tschopp ..... D14/137  
 D925,142 S \* 7/2021 Jia ..... D30/199  
 D925,485 S \* 7/2021 Wang ..... D14/137  
 D926,396 S \* 7/2021 Jia ..... D30/199  
 2005/0045681 A1 \* 3/2005 Hancock ..... B60R 11/0205  
 224/401  
 2005/0145200 A1 \* 7/2005 Napollez ..... A01K 15/022  
 119/718  
 2009/0102668 A1 \* 4/2009 Thompson ..... A01K 15/023  
 340/573.3  
 2014/0261233 A1 \* 9/2014 So ..... A01K 27/009  
 119/720  
 2015/0033794 A1 \* 2/2015 Ma ..... A01K 27/006  
 63/1.13  
 2020/0015456 A1 \* 1/2020 Van Curen ..... A01K 27/009

\* cited by examiner

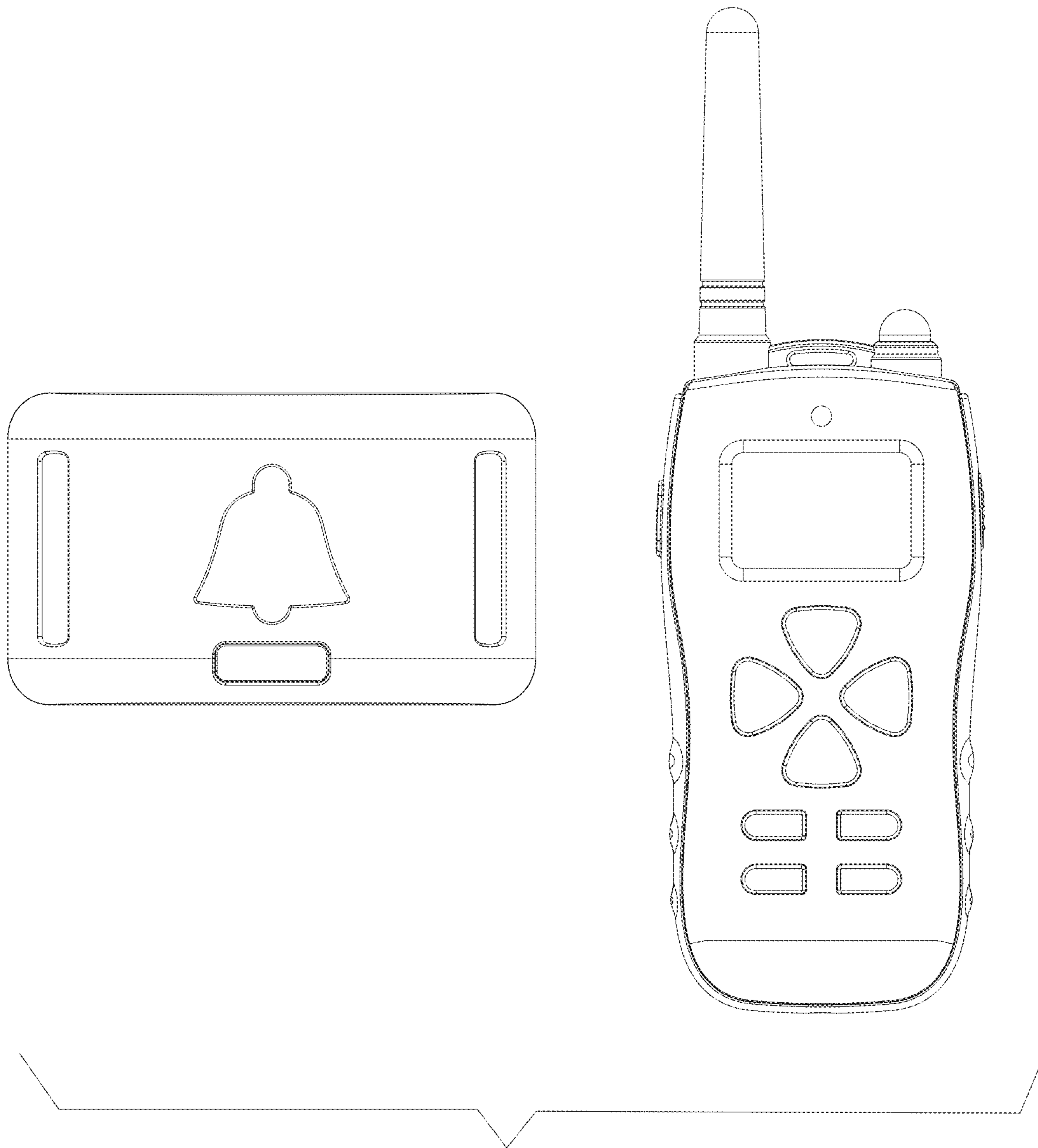


Fig. 1

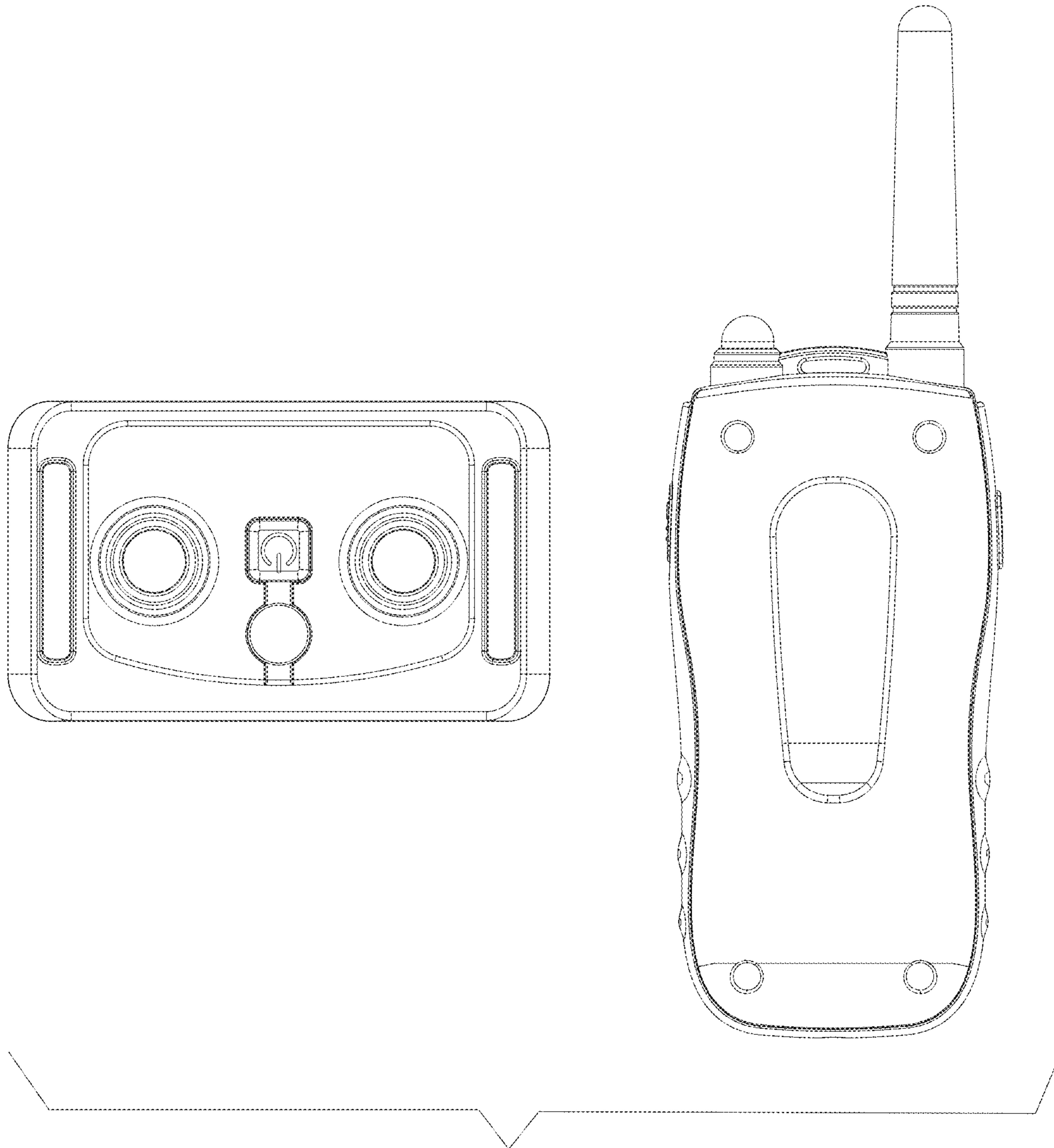


Fig. 2

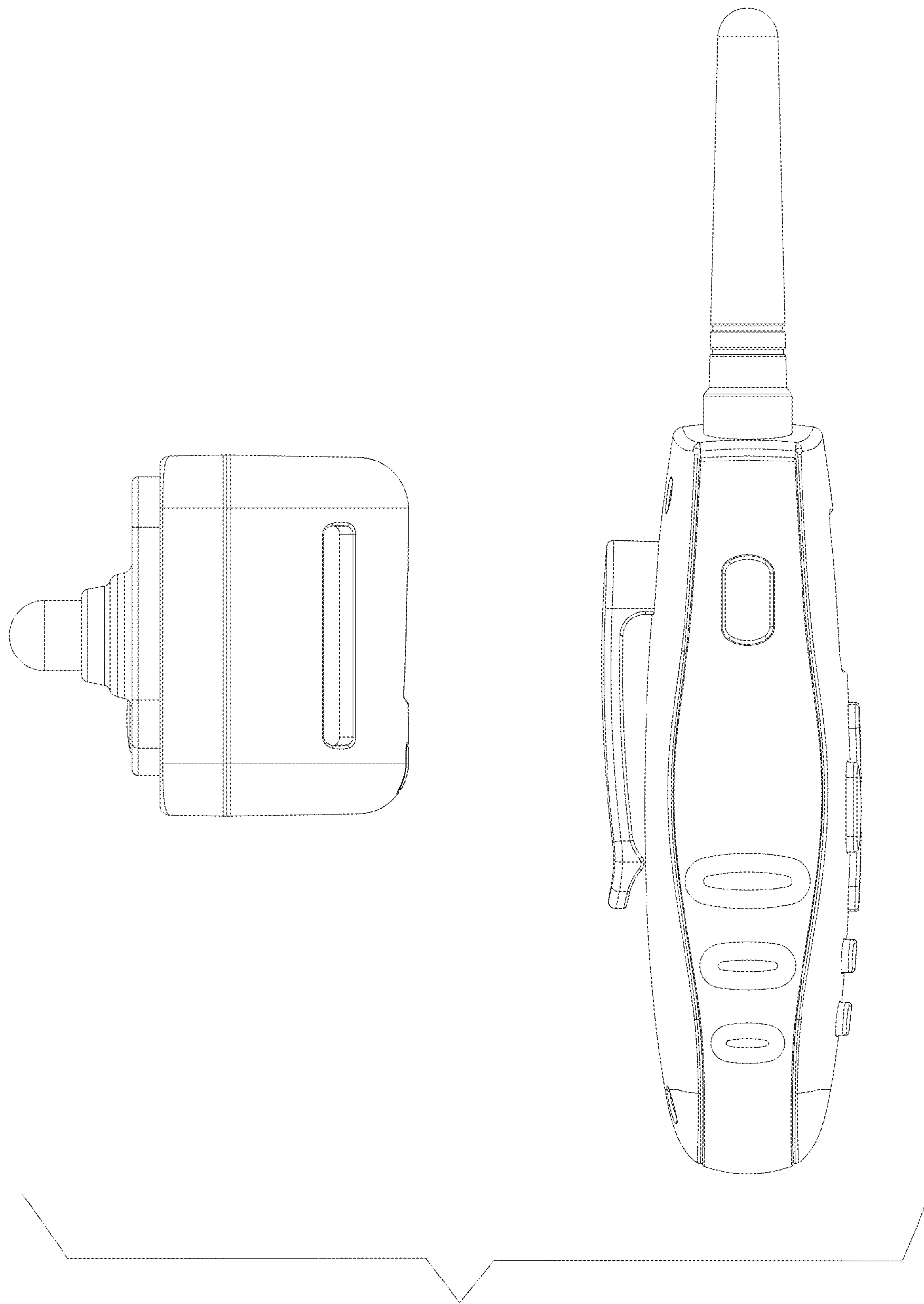


Fig. 3

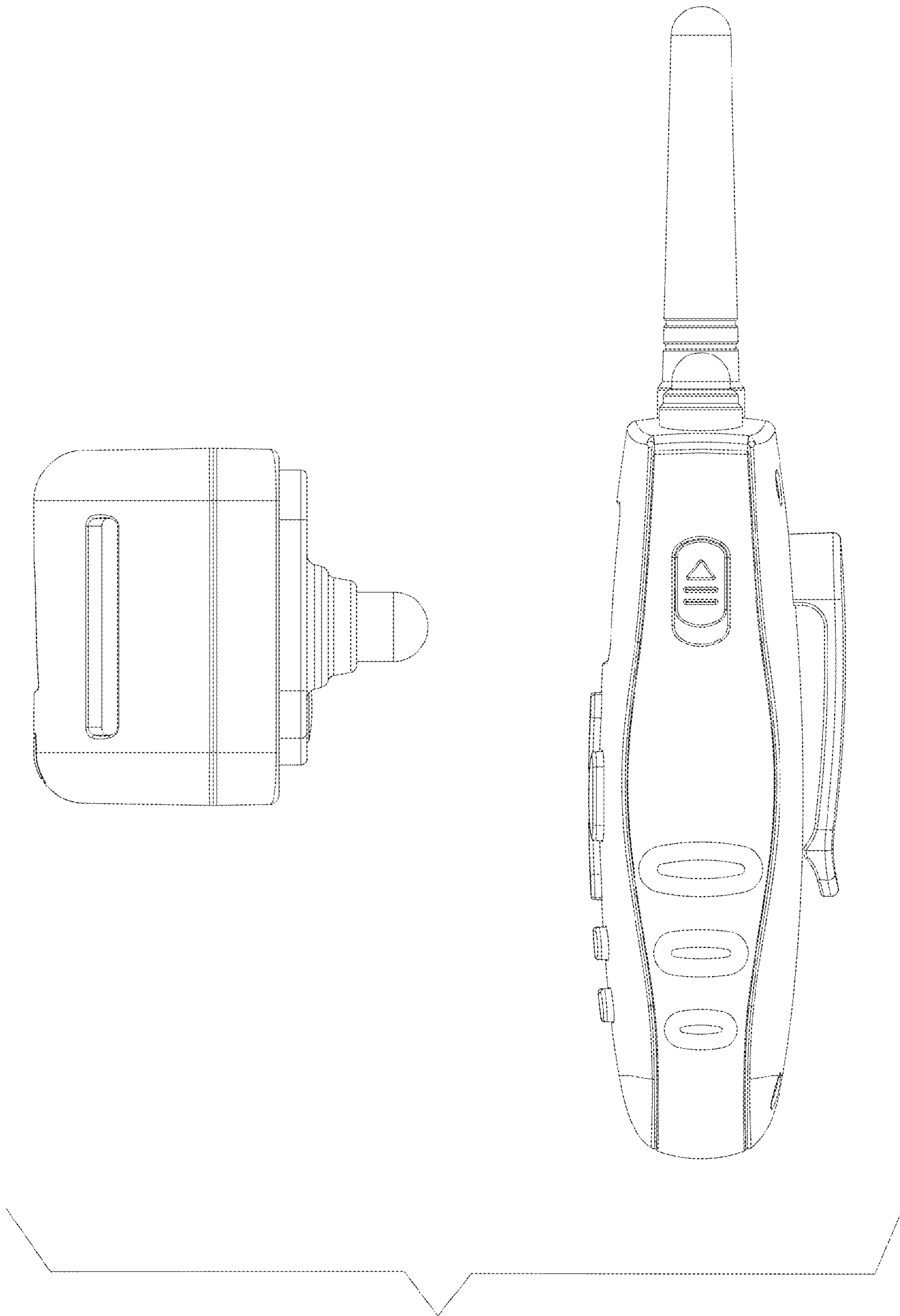


Fig. 4

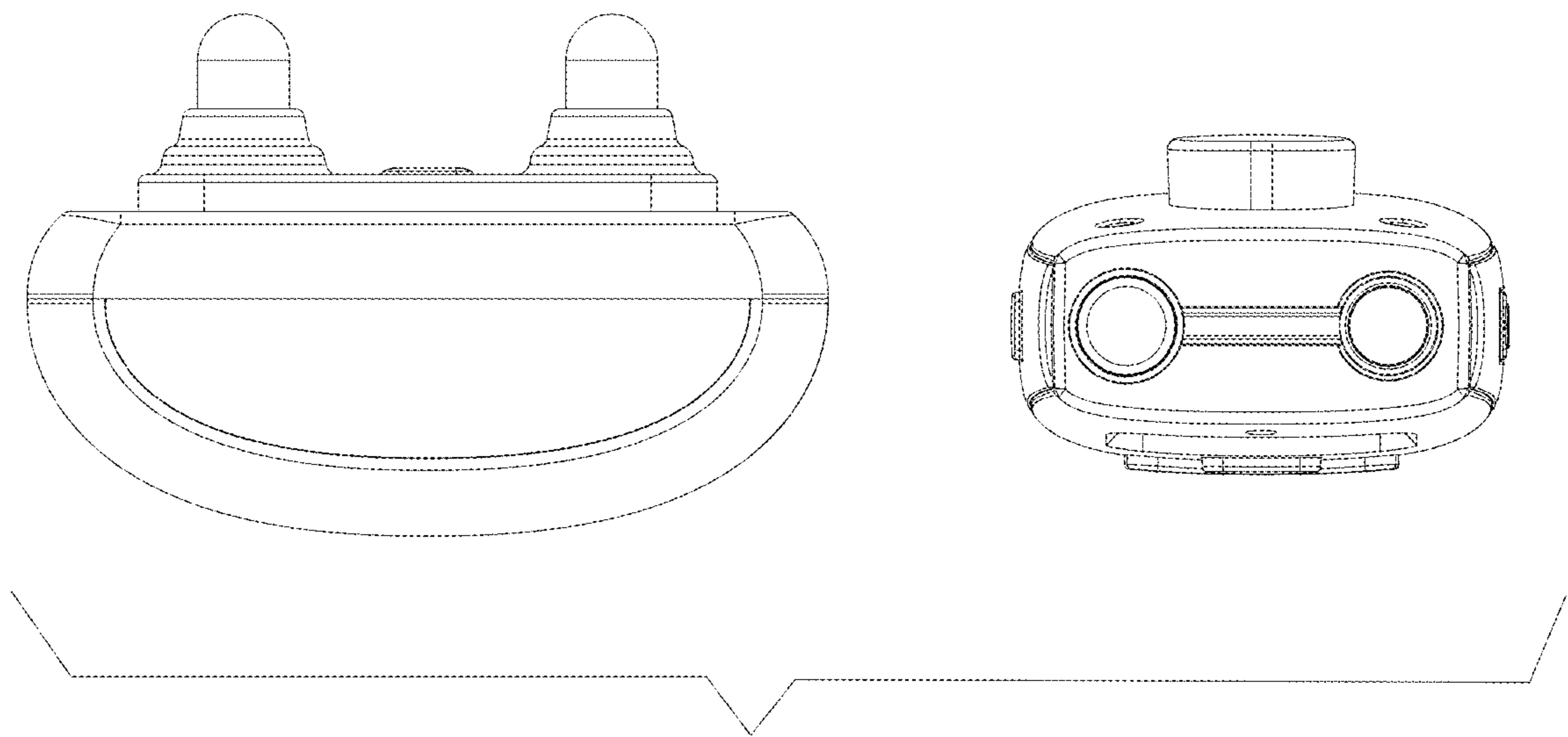


Fig. 5

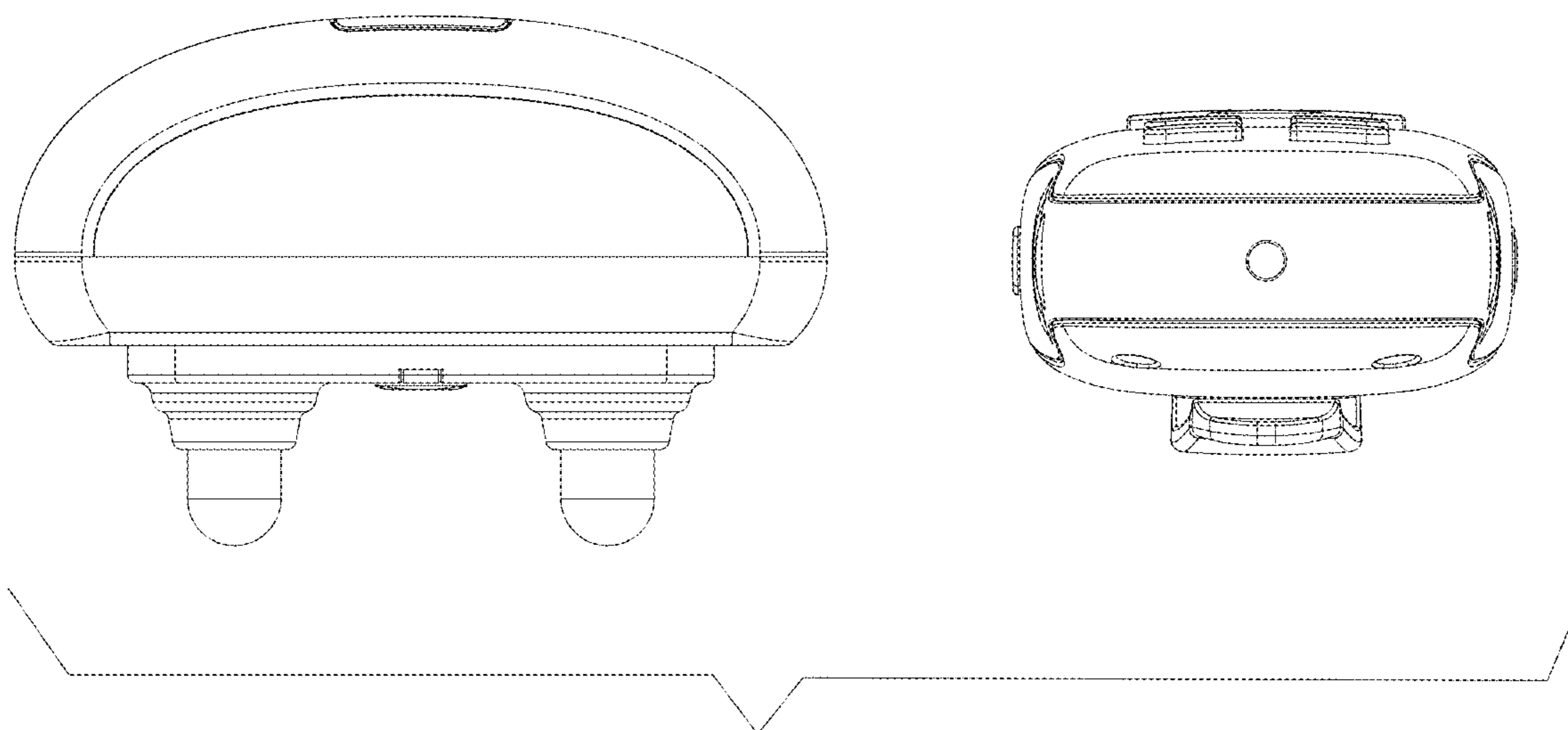


Fig. 6



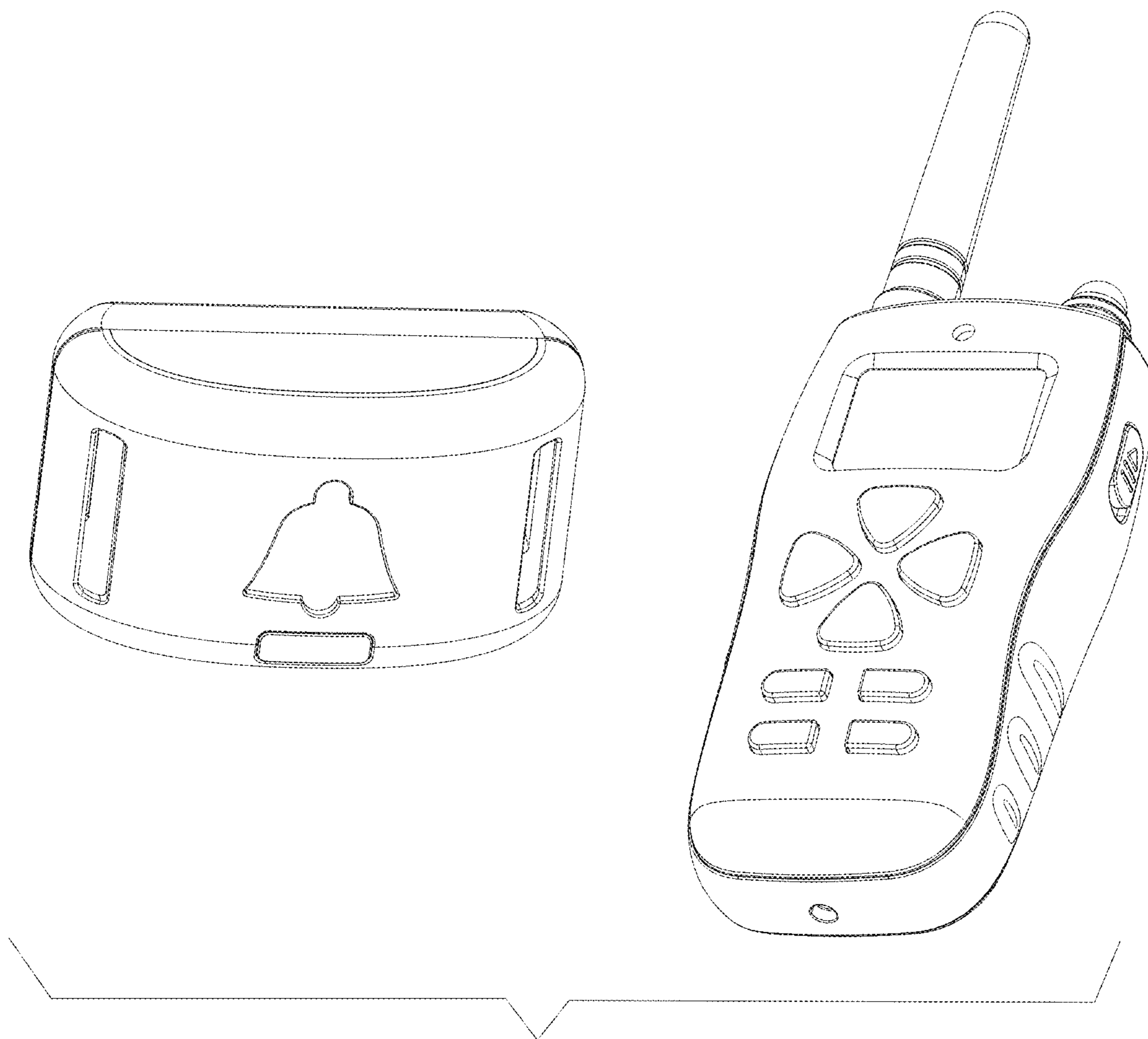


Fig. 7

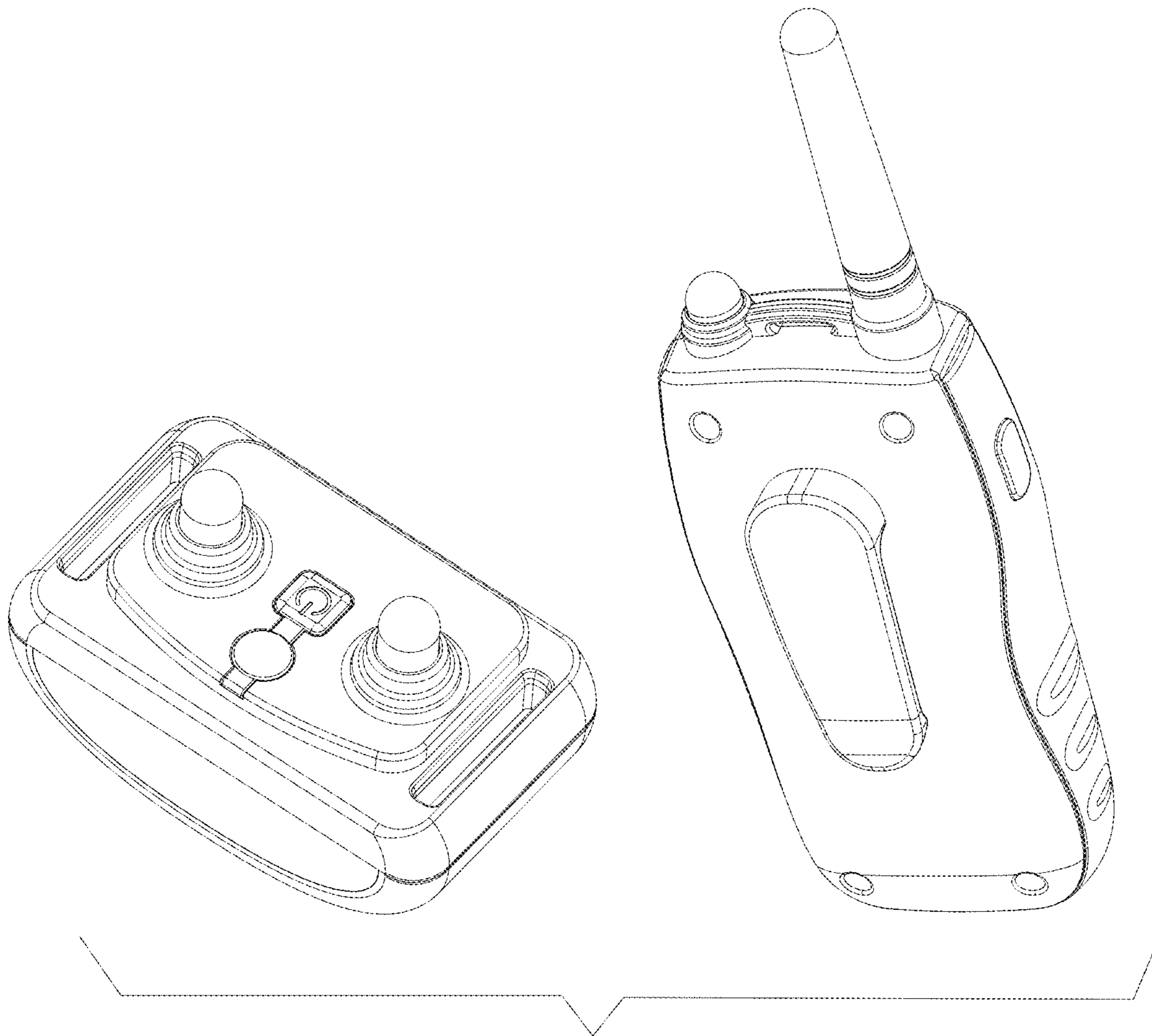


Fig. 8