



US00D936916S

(12) **United States Design Patent**
Li

(10) **Patent No.:** **US D936,916 S**

(45) **Date of Patent:** **** Nov. 23, 2021**

(54) **TRANSMITTER OF DOG TRAINING COLLAR**

(71) Applicant: **Shenzhen Patpet Technology CO., LTD**, Shenzhen (CN)

(72) Inventor: **Linxian Li**, Beijing (CN)

(**) Term: **15 Years**

(21) Appl. No.: **29/707,811**

(22) Filed: **Oct. 1, 2019**

(51) **LOC (13) Cl.** **30-99**

(52) **U.S. Cl.**
USPC **D30/199; D10/104.1**

(58) **Field of Classification Search**

USPC D10/57, 72, 106.1, 104.1, 104.2, 109.2, D10/70, 97, 98, 78, 65; D20/28; 224/666, 678; 16/445; 283/74, 70; D11/232, 200, 216, 1, 2, 86, 87, 201, D11/206–210, 212–215, 218; 24/163 K, 24/122.3, 323, 702, 600.4–600.7, 163 R, 24/169–171, 173, 177–179, 191, 194, 24/195, 197, 200, 303, 616, 635, 313, 24/615, 3, 6, 3 K, 599.2, 96, 221, 237, 24/311, 312, 314, 321, 338, 339, 309; 428/3, 4; 54/76, 1, 71; 63/29.1, 3; 191/12.2 R, 12.4; D13/154, 153, 137.4, D13/155, 103, 168; D19/69, 67; 379/438; 446/26; 473/576; D22/140; 174/135; 439/504, 13, 501; D34/33; 188/83, 82.1, 65.1; 254/134.3 FT; D29/124; D2/627, 624, 633, 625; 132/145, 146, 148; 2/314; 59/79.1; D30/151–155, 144, 199, 160; 119/792–798, 850, 855–859, 863–865, 119/654, 905, 907, 815, 712, 802, 784, 119/769, 760, 776, 862, 908, 860, 119/719–721; 242/381.1–381.2, 385.4, 242/378.3, 376.1, 385.1, 916, 601, 570, 242/405, 404, 371, 223, 170, 388.1,

242/405.2, 377, 381.3, 381.6, 405.3, 242/388.6, 384.7, 382, 396.1, 404.1, 380; 362/108; 33/767, 769, 414; D12/400; D3/229, 230, 207, 208, 215; 40/1.5, 455, 40/640, 303; 206/63.3, 459.5, 702, 408; D6/515; D8/358, 360, 347, 360.1, 359, D8/356, DIG. 1; D24/145, 167, 186, 146, D24/169; 340/573.3, 573.1, 573, 573.4, 340/539.13–539.19; 343/895; 278/8 AES; 231/7; 361/232; D14/344, D14/341, 137, 155, 496, 203.5, 203.3, (Continued)

(56) **References Cited**

U.S. PATENT DOCUMENTS

D385,207 S * 10/1997 Urvoy D10/104.1
D427,060 S * 6/2000 Lluch D14/163
(Continued)

Primary Examiner — Susan Moon Lee

(74) *Attorney, Agent, or Firm* — Yanling Jiang

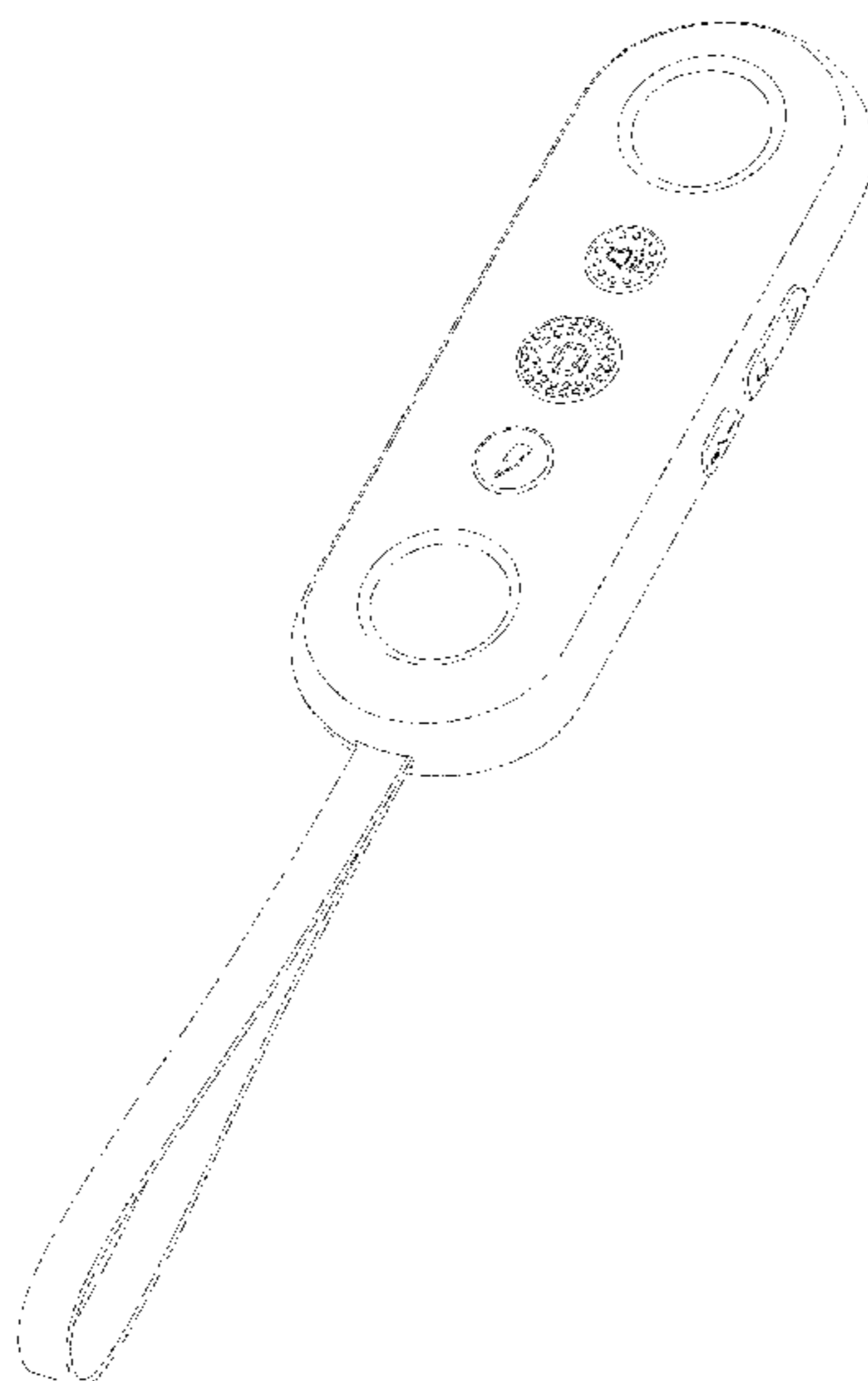
(57) **CLAIM**

The ornamental design for a transmitter of dog training collar, as shown and described.

DESCRIPTION

FIG. 1 is a top right perspective view showing a new transmitter of dog training collar, showing my new design; FIG. 2 is a front elevation view thereof; FIG. 3 is a rear elevation view thereof; FIG. 4 is a top plan view thereof; FIG. 5 is a bottom plan view thereof; FIG. 6 is a side view thereof; and, FIG. 7 is an opposite side view thereof. The broken lines depict unclaimed features of the transmitter, shown for purposes of illustration, and form no part of the claimed design.

1 Claim, 7 Drawing Sheets



(58) **Field of Classification Search**

USPC D14/144, 218, 188, 216, 192;
 342/357.51, 357.57, 357.52, 357.55;
 455/100, 352, 456.1, 550.1; 315/291
 CPC A01K 15/021; A01K 15/02; A01K 15/022;
 A01K 15/023; A01K 15/029; A01K
 15/04; A01K 15/00; A01K 15/006; A01K
 12/022; A01K 27/009; A01K 27/00;
 A01K 27/001; A01K 27/006-008; A01K
 29/005; A01K 29/00; A61B 5/0002-0028;
 A61B 5/681; A61B 5/6822; A61B
 5/6824; A61B 5/6829; G01S 5/0294

See application file for complete search history.

(56) **References Cited**

U.S. PATENT DOCUMENTS

D477,344 S * 7/2003 Ng D16/202
 D508,028 S * 8/2005 Deubler, Jr. D10/104.1
 D571,305 S * 6/2008 Thursfield D13/168
 D619,558 S * 7/2010 Seil D14/155
 D626,952 S * 11/2010 Ding D14/242
 D633,478 S * 3/2011 Bolton D14/218
 D636,371 S * 4/2011 Spielvogel D14/142
 D685,756 S * 7/2013 Liu D14/155
 D708,974 S * 7/2014 Dauwalter, III D10/104.1
 D733,888 S * 7/2015 Tuhkanen D24/167
 D744,109 S * 11/2015 Yoneta D24/186

D760,903 S * 7/2016 Lin D24/165
 D776,640 S * 1/2017 Simonian D14/218
 D776,659 S * 1/2017 Hou D14/433
 D797,686 S * 9/2017 McRoberts D13/168
 D800,313 S * 10/2017 Chang D24/167
 D805,482 S * 12/2017 McRoberts D13/168
 D818,457 S * 5/2018 Paschke D14/218
 D819,619 S * 6/2018 Li D14/240
 D821,334 S * 6/2018 McRoberts D13/168
 D824,517 S * 7/2018 Young D24/146
 D824,863 S * 8/2018 McRoberts D13/168
 D825,356 S * 8/2018 Yu D10/70
 D838,923 S * 1/2019 Ni D30/199
 D881,162 S * 4/2020 Zhu D14/218
 D897,614 S * 9/2020 Tang D30/199
 D898,307 S * 10/2020 Yang D30/199
 D898,309 S * 10/2020 Yang D30/199
 2004/0224717 A1 * 11/2004 Hertzberg H04M 1/72475
 455/550.1
 2010/0298655 A1 * 11/2010 McCombie A61B 5/02125
 600/301
 2011/0224564 A1 * 9/2011 Moon A61B 5/00
 600/509
 2013/0052978 A1 * 2/2013 Sabin A01K 27/009
 455/404.1
 2014/0156196 A1 * 6/2014 Martinez A61B 5/681
 702/19
 2017/0208775 A1 * 7/2017 Van Curen A01K 15/021
 2020/0015456 A1 * 1/2020 Van Curen A01K 27/009

* cited by examiner

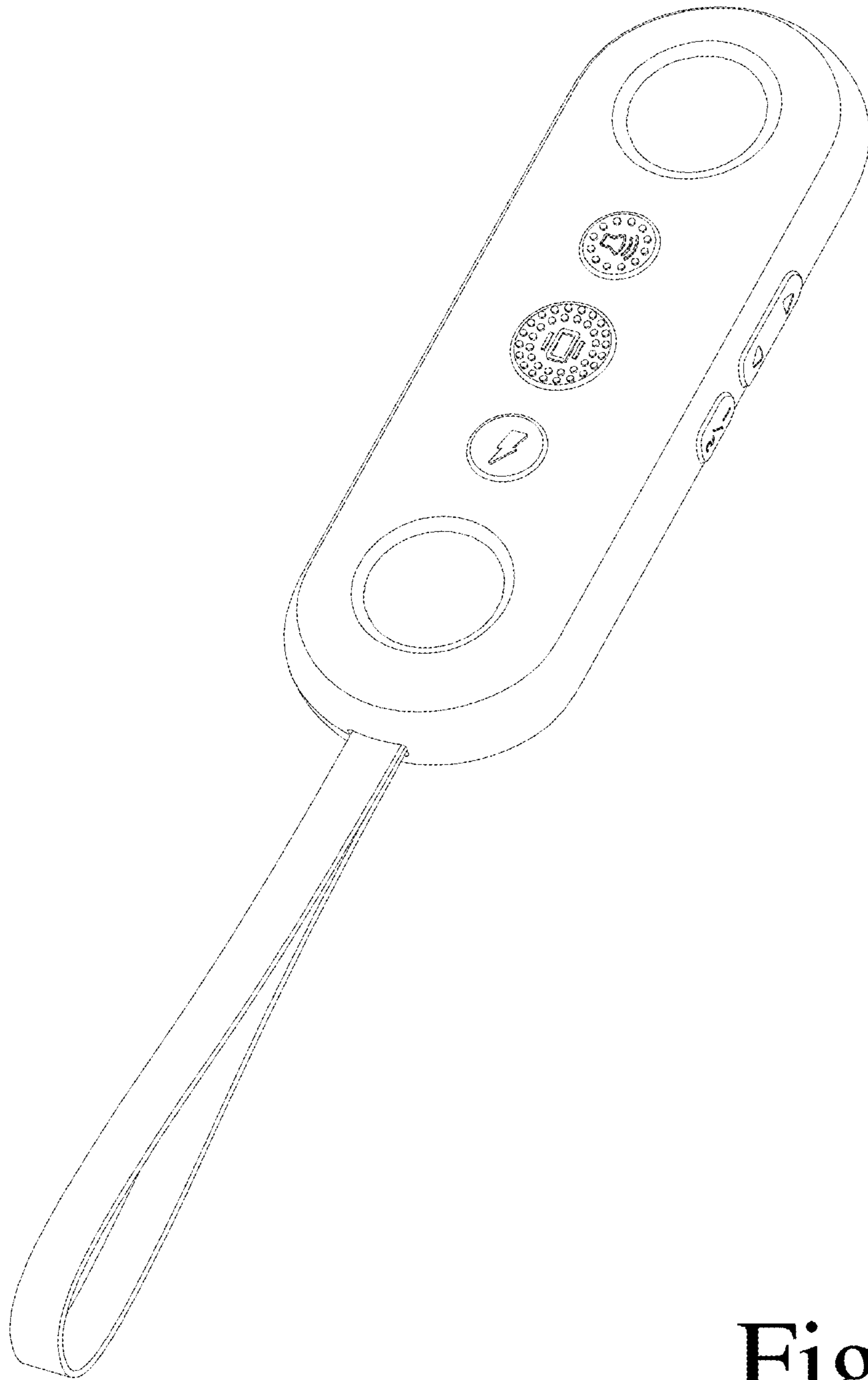


Fig. 1

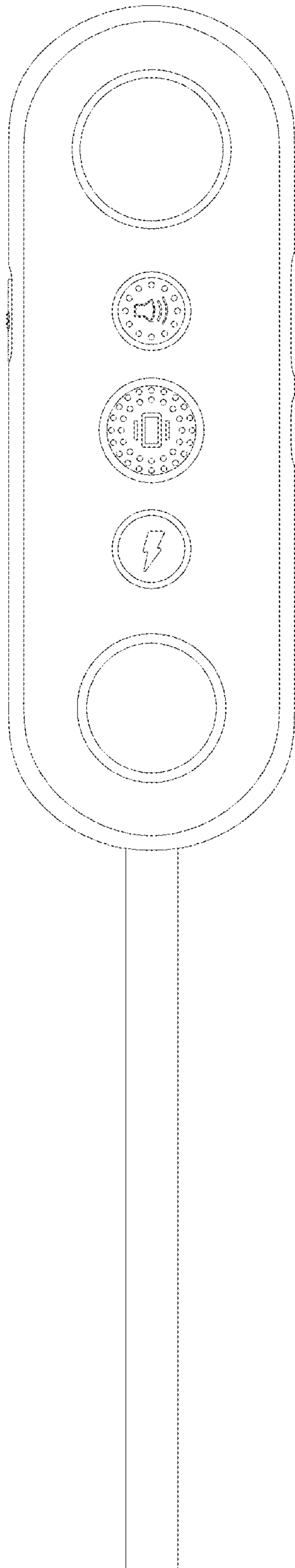


Fig. 2

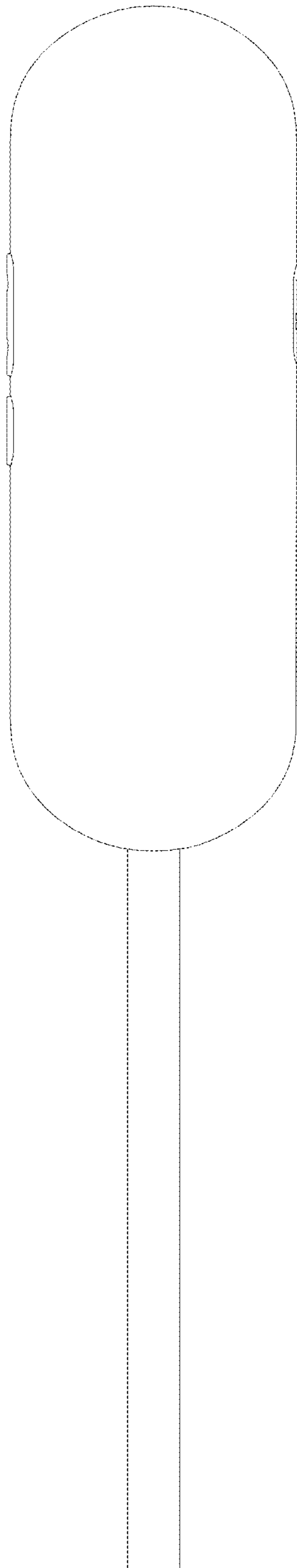


Fig. 3

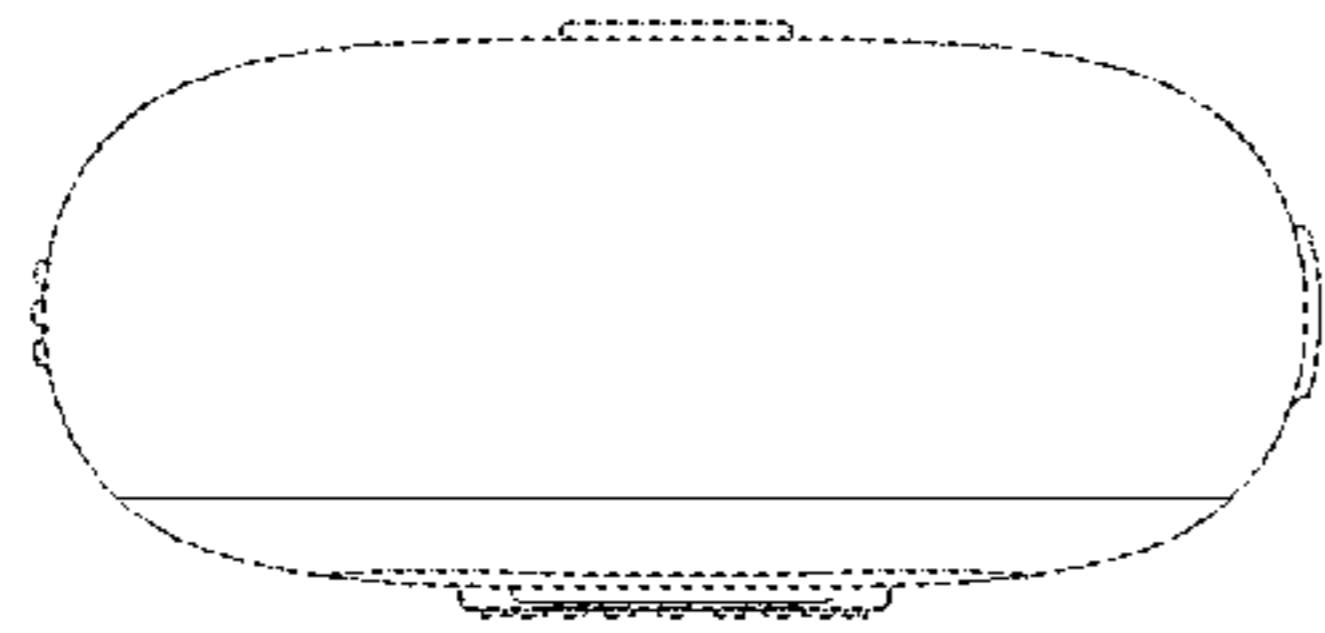


Fig. 4

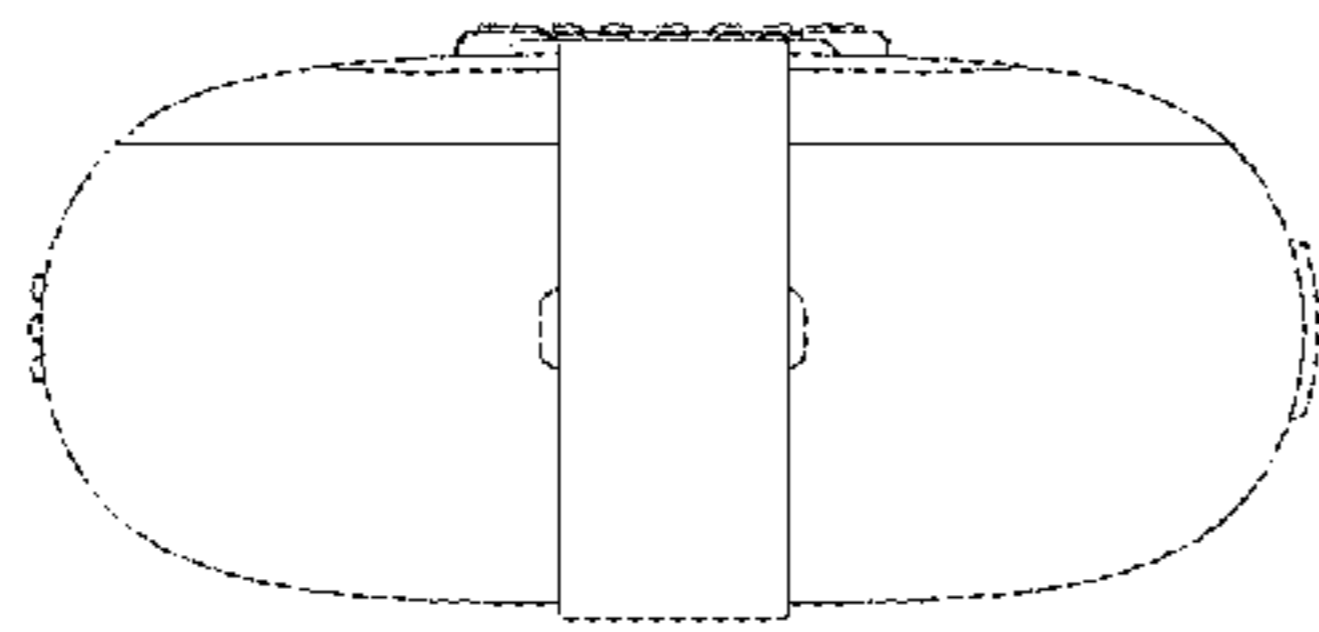


Fig. 5

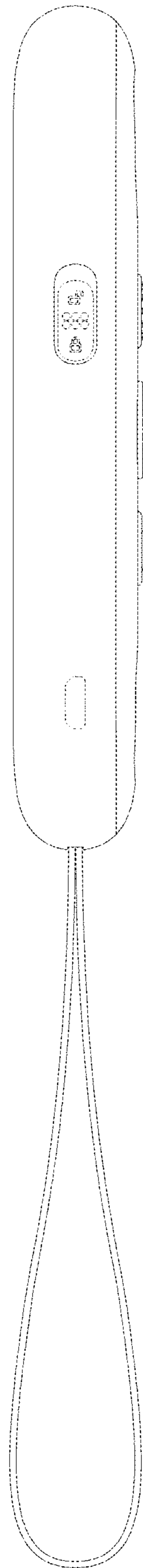


Fig. 6

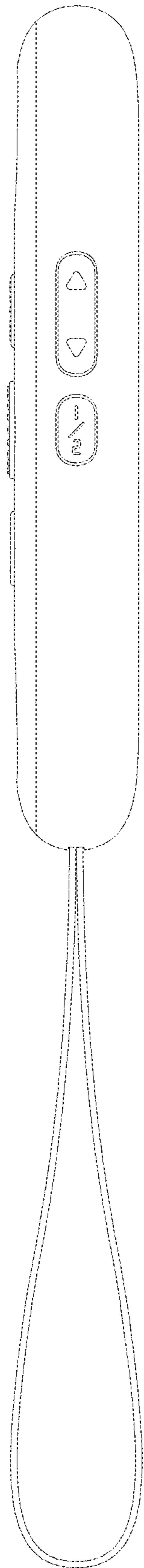


Fig. 7