



US00D936914S

(12) **United States Design Patent** (10) **Patent No.:** **US D936,914 S**
Deng (45) **Date of Patent:** **** Nov. 23, 2021**

(54) **DOG HARNESS**

(71) Applicant: **Zhaoshuai Deng**, Changning (CN)

(72) Inventor: **Zhaoshuai Deng**, Changning (CN)

(**) Term: **15 Years**

(21) Appl. No.: **29/696,995**

(22) Filed: **Jul. 3, 2019**

(51) **LOC (13) Cl.** **30-04**

(52) **U.S. Cl.**

USPC **D30/152**

(58) **Field of Classification Search**

USPC D30/144, 145, 151, 152, 153, 154, 155, D30/199; D3/215, 218, 221, 222, 226, D3/231, 229, 228, 254; D29/101.1, D29/101.3, 101.4, 101.5, 103, 122; D24/190-192, 199, 186, 207, 165, 206, D24/169; D10/40, 70, 50, 52, 60, 61, D10/104.1, 104.2; D14/344, 242; D12/409; D11/4; D8/333, 343, 346; D26/38; D21/662, 804; D2/627
CPC A01K 27/00; A01K 27/001; A01K 27/002; A01K 27/003; A01K 27/004; A01K 27/005; A01K 27/006; A01K 27/008; A01K 27/009; A01K 25/00; A01K 15/04; A01K 15/021; A01K 15/022; A01K 11/006; A01K 11/008; B68B 1/02; B68B 1/01

See application file for complete search history.

(56) **References Cited**

U.S. PATENT DOCUMENTS

D878,684 S *	3/2020	Zimmermann	D30/152
D893,812 S *	8/2020	Wu	D30/152
D894,502 S *	8/2020	Li	D30/152
D907,311 S *	1/2021	Guo	D30/152
D908,981 S *	1/2021	Guo	D30/152
D914,301 S *	3/2021	Xu	D30/152
D927,093 S *	8/2021	Li	D30/152

11,102,958 B1 *	8/2021	Chang	A01K 27/002
2017/0215386 A1 *	8/2017	Pianelli	A01K 27/002
2019/0124890 A1 *	5/2019	Kath	A01K 1/0263
2020/0100469 A1 *	4/2020	Elam	A01K 27/008
2021/0059216 A1 *	3/2021	Guidetti	A01K 27/002

FOREIGN PATENT DOCUMENTS

CN	303425648	*	10/2015
CN	303482980	*	12/2015
CN	304994777	*	1/2019

(Continued)

OTHER PUBLICATIONS

WINSEE Tactical Dog Harness for Large Dogs, published Dec. 23, 2020 [online][retrieved May 17, 2021], Available from Internet, URL: https://www.amazon.com/WINSEE-Tactical-Reflective-Adjustable-Training/dp/B08R6T8LC4/ref=sr_1_6?dchild=1&keywords=dog+harness+winsee&qid=1621014995&sr=8-6.*

(Continued)

Primary Examiner — Dana K Weiland
Assistant Examiner — Mary Claire Ramirez

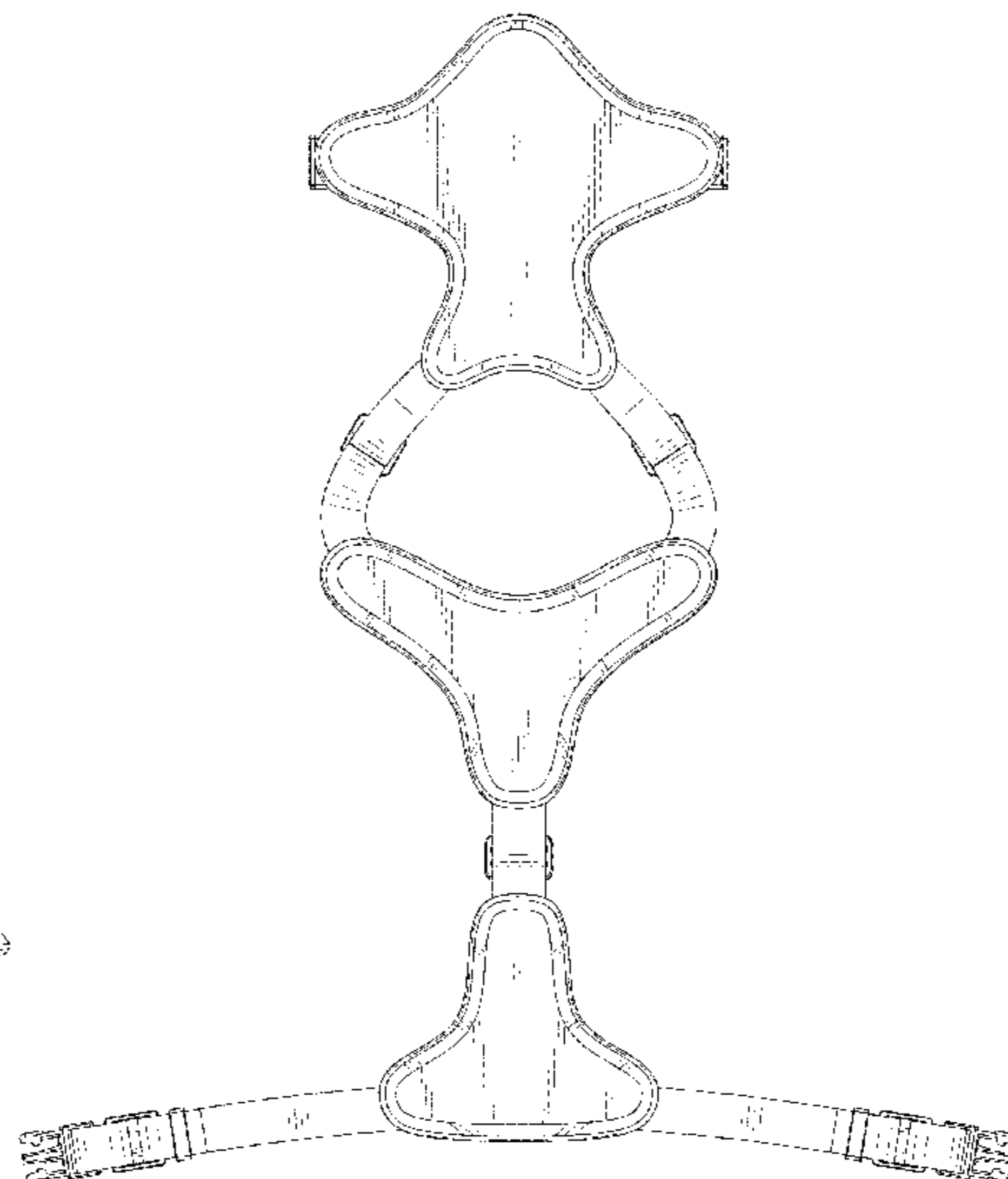
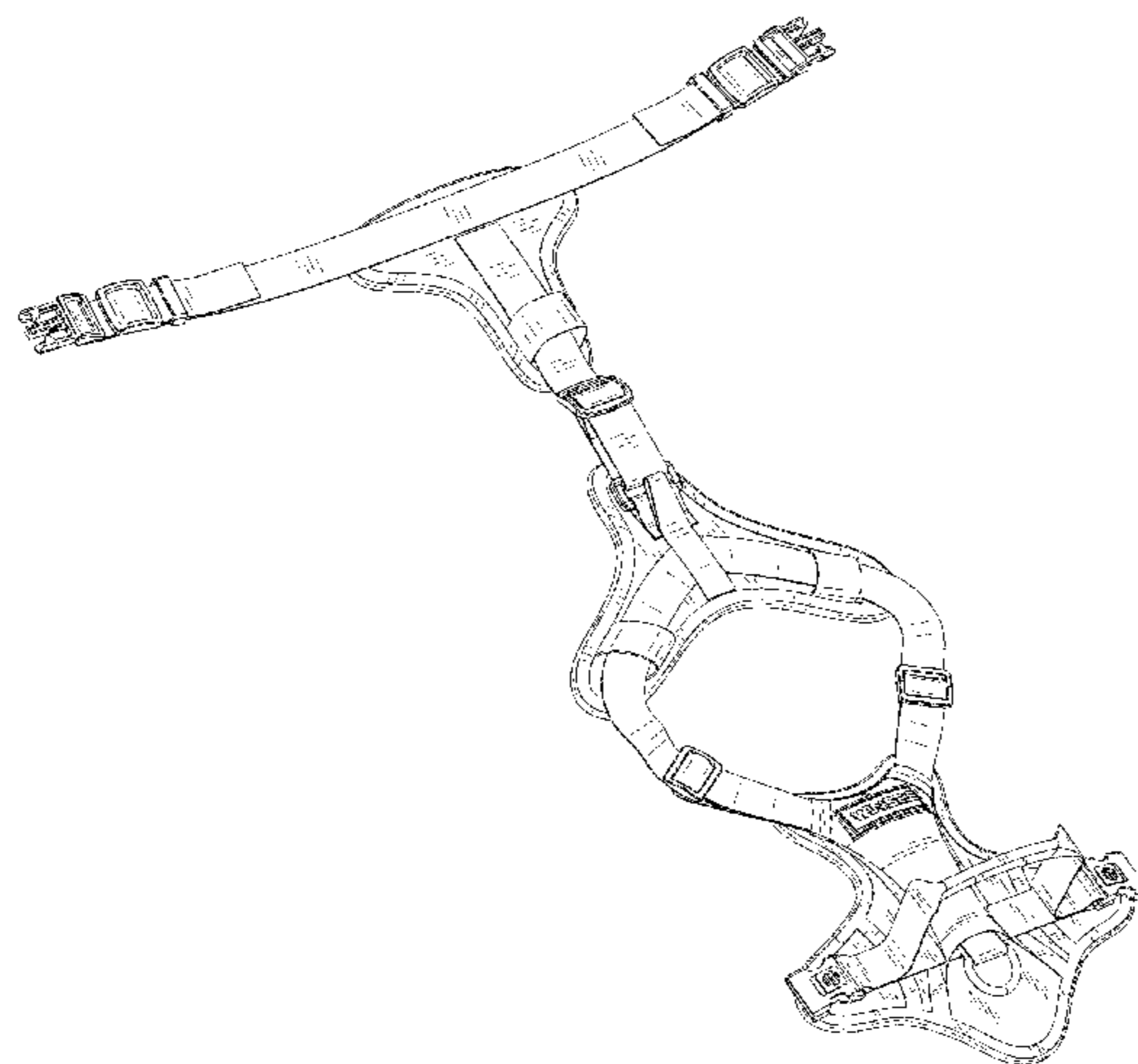
(57) **CLAIM**

The ornamental design for a dog harness, as shown and described.

DESCRIPTION

FIG. 1 is a front, top perspective view of a dog harness showing my new design;
FIG. 2 is another front, top perspective view of the dog harness shown in an extended position;
FIG. 3 is a front elevational view of the dog harness of FIG. 1;
FIG. 4 is a rear elevational view thereof;
FIG. 5 is a left side elevational view thereof;
FIG. 6 is a right side elevational view thereof;
FIG. 7 is a top plan view thereof; and,
FIG. 8 is a bottom plan view thereof.

1 Claim, 8 Drawing Sheets



(56)

References Cited

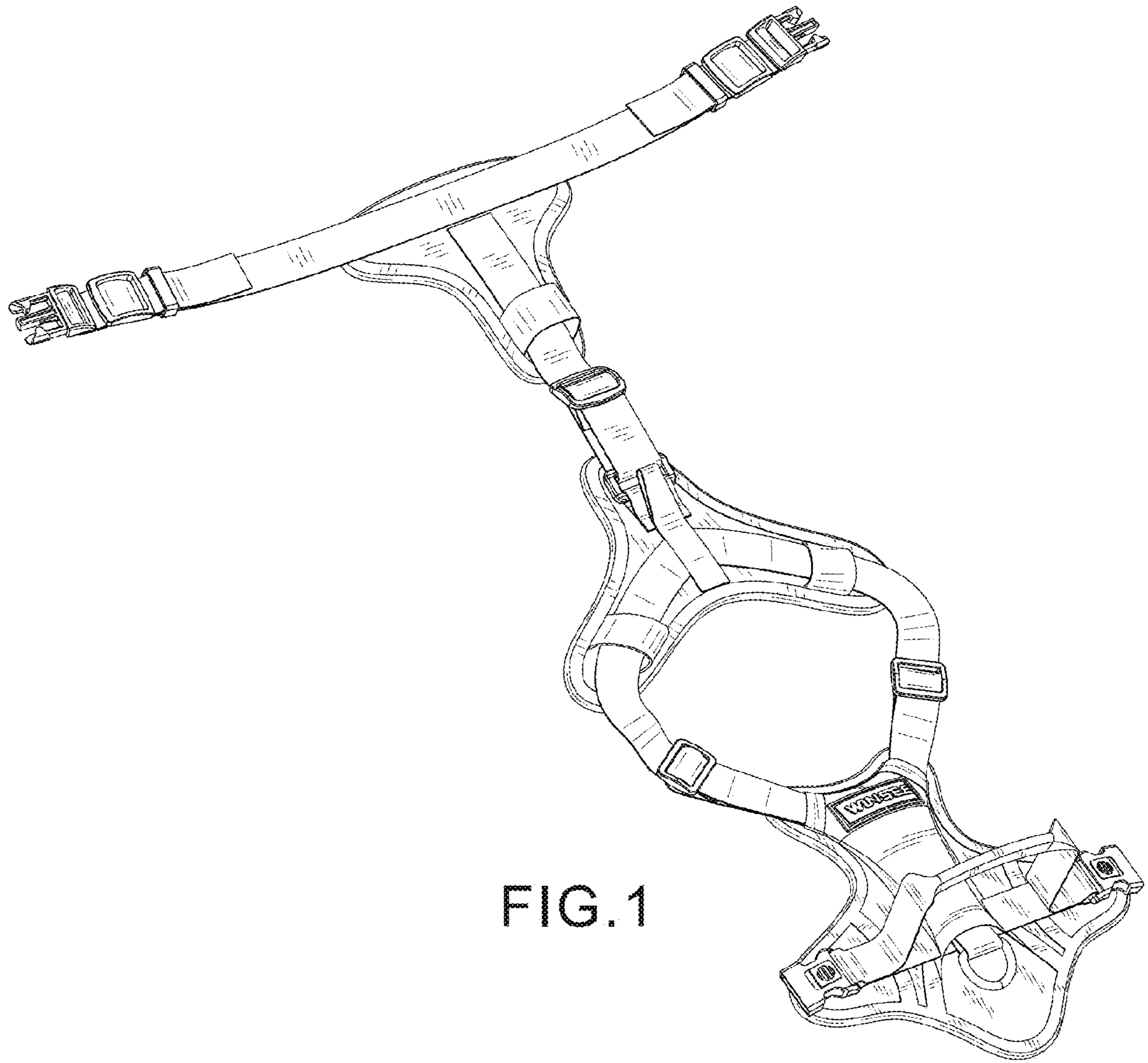
FOREIGN PATENT DOCUMENTS

CN	305077934	*	3/2019
EM	008204804-0003	*	10/2020
GB	9008204804-0003	*	10/2020

OTHER PUBLICATIONS

WINSEE Dog Harness No Pull, published Nov. 2, 2020 [online][retrieved May 17, 2021], Available from Internet, URL: https://www.amazon.com/WINSEE-Harness-Harnesses-Adjustable-Reflective/dp/B08MF6G125/ref=sr_1_9?dchild=1&keywords=dog+harness+winsee+belly&qid=1621015225&sr=8-9.*

* cited by examiner



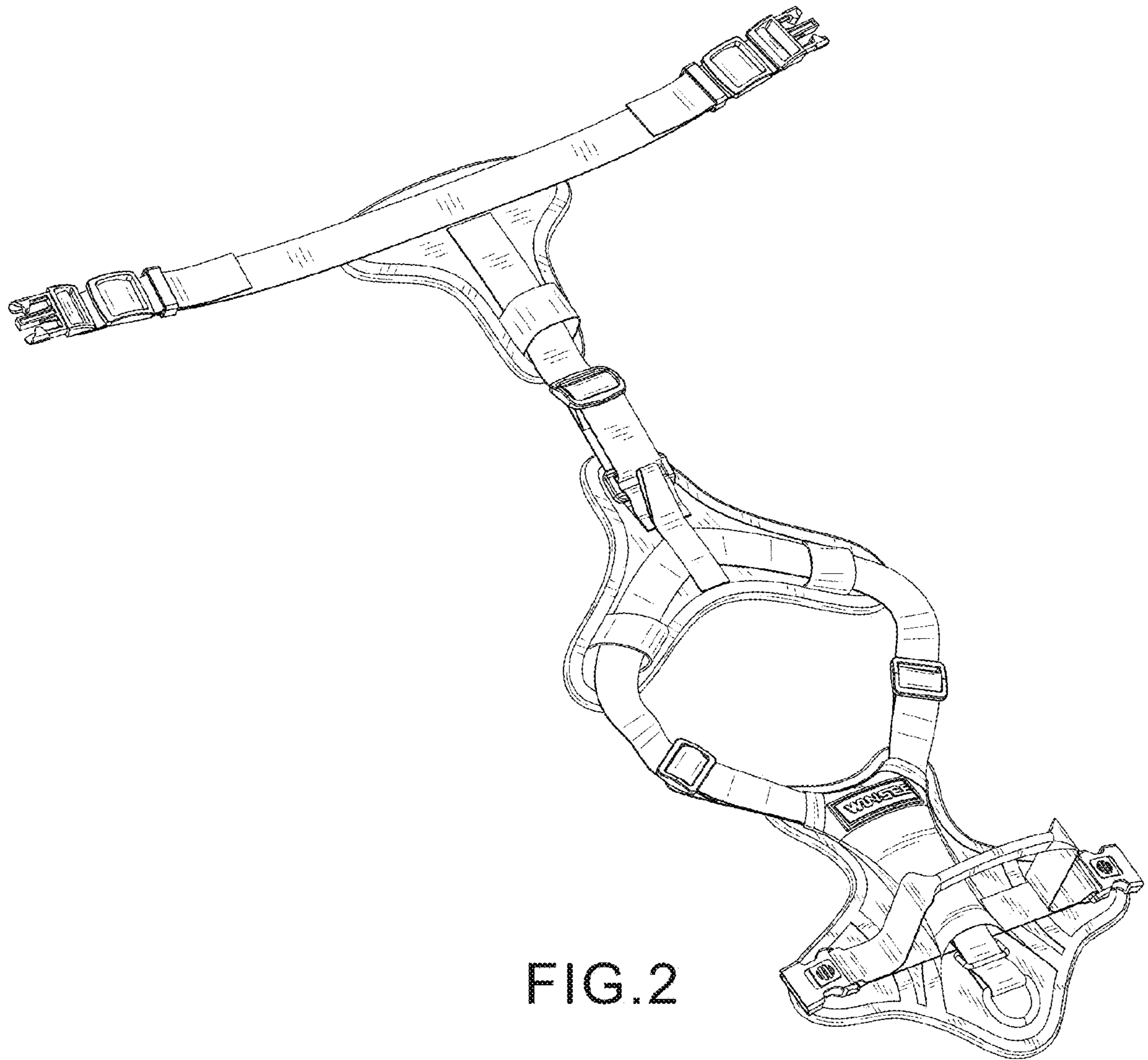


FIG. 2

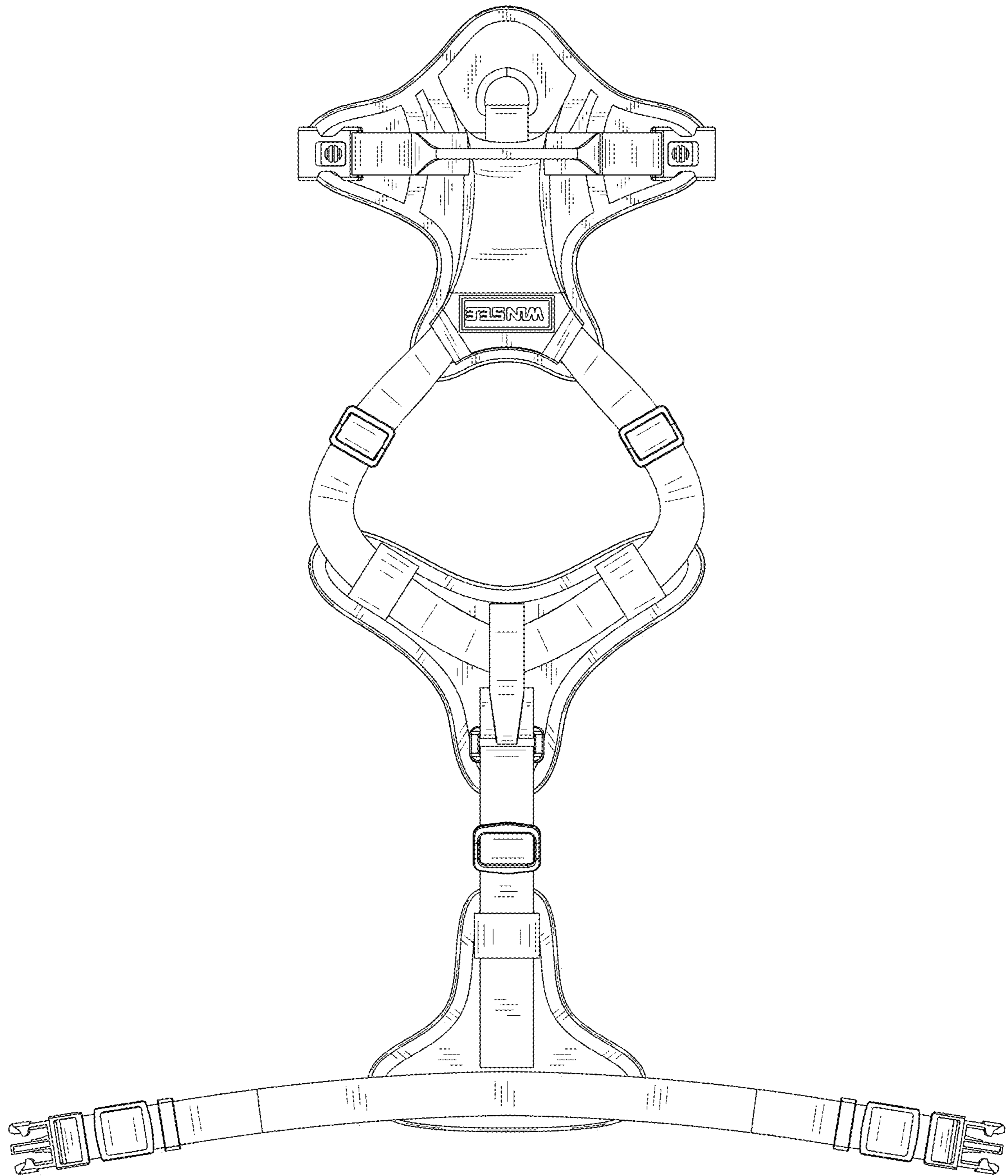


FIG. 3

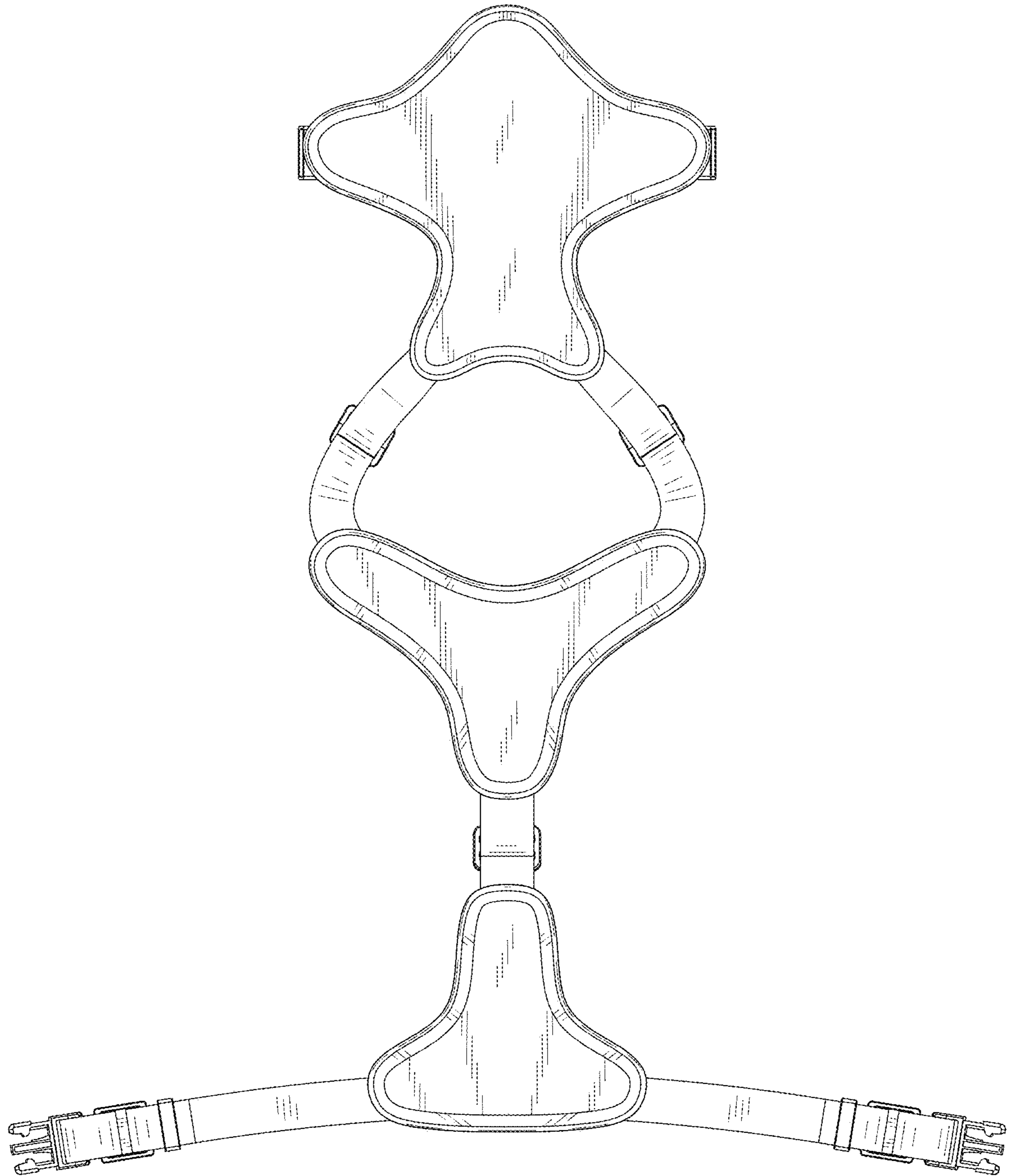


FIG. 4

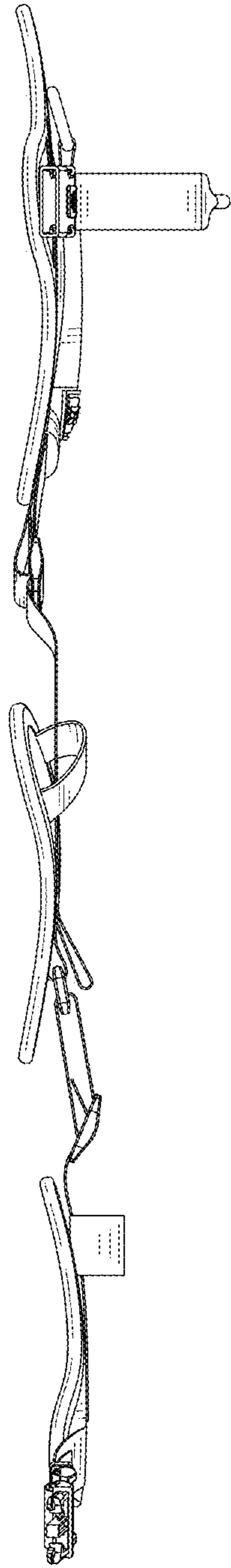


FIG. 5

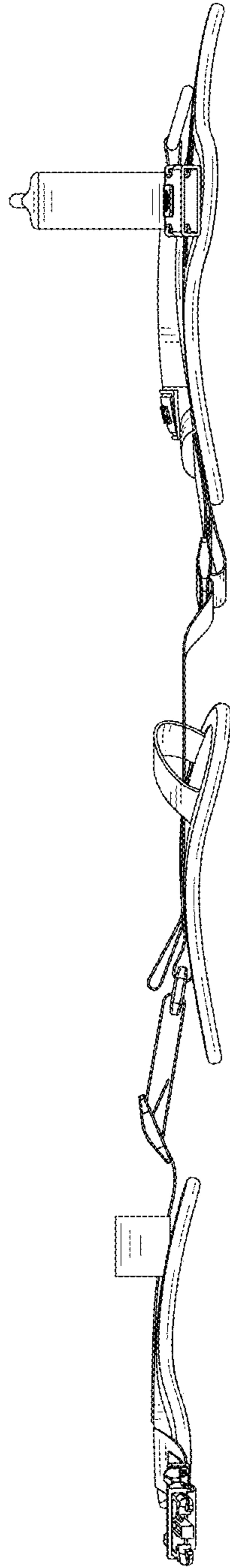


FIG. 6

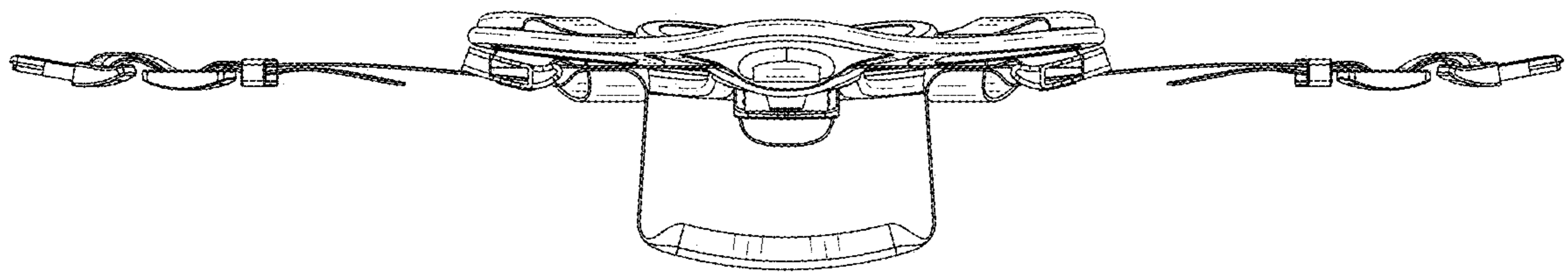


FIG.7

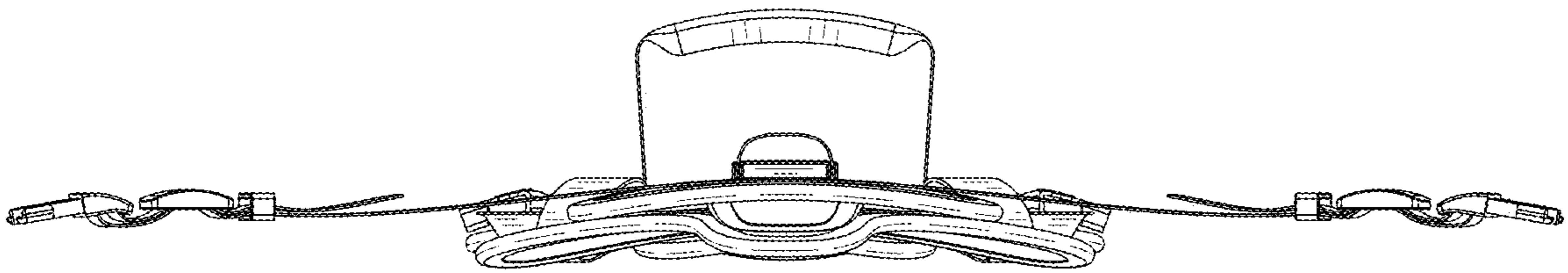


FIG.8