



US00D936913S

(12) **United States Design Patent**
Huang

(10) **Patent No.:** **US D936,913 S**

(45) **Date of Patent:** **** Nov. 23, 2021**

(54) **WATER DRINKING DEVICE FOR PETS**

D912,910 S * 3/2021 Xue D30/132
D914,300 S * 3/2021 Wu D30/132
D927,798 S * 8/2021 Tao D30/132

(71) Applicant: **Junzhou Huang**, Guangdong (CN)

(72) Inventor: **Junzhou Huang**, Guangdong (CN)

(**) Term: **15 Years**

(21) Appl. No.: **29/739,293**

(22) Filed: **Jun. 24, 2020**

(30) **Foreign Application Priority Data**

Dec. 26, 2019 (CN) 201930730285.8

(51) **LOC (13) Cl.** **30-03**

(52) **U.S. Cl.**
USPC **D30/132**

(58) **Field of Classification Search**
USPC D30/121, 122, 129–133, 199; 119/51.01,
119/51.02, 51.03, 51.11, 51.15, 51.5, 70,
119/52.1, 52.3, 52.4, 53, 53.5, 54, 57.92,
119/61.1, 61.3, 61.5, 61, 52, 61.53, 61.54,
119/61.55, 68, 72, 73, 74, 75, 78, 174
CPC . A01K 5/00; A01K 7/00; A01K 39/02; A01K
39/04; A01K 39/0213; A01K 5/0114;
A01K 5/0121; A01K 5/0135; A01K 7/005
See application file for complete search history.

(56) **References Cited**

U.S. PATENT DOCUMENTS

D820,533 S * 6/2018 Huang D30/132
10,165,753 B1 * 1/2019 Huang A01K 7/02
D849,336 S * 5/2019 Huang D30/132
D849,337 S * 5/2019 Huang D30/132
D850,731 S * 6/2019 Wu D30/132
D893,810 S * 8/2020 Wu D30/132
D894,500 S * 8/2020 Cui D30/132
D912,333 S * 3/2021 Wang D30/132

OTHER PUBLICATIONS

“Cat Water Fountain Stainless Steel” available Oct. 23, 2019, [online], [site visited Sep. 22, 2021]. Retrieved from Internet, URL:https://www.amazon.com/Dispenser-Stainless-Intelligent-Fountain-Cleaning/dp/B07ZH2TWSH/ref=sr_1_2 (Year: 2019).*
“Cat Water Fountain” available Nov. 25, 2019, [online], [site visited Sep. 22, 2021]. Retrieved from Internet, URL:https://www.amazon.com/Fountain-Stainless-Dispenser-Replacement-Filters/dp/B081Z6DB8B/ref=sr_1_23 (Year: 2019).*

* cited by examiner

Primary Examiner — W. A. Teddy Falloway

Assistant Examiner — Katrina N Gonzalez

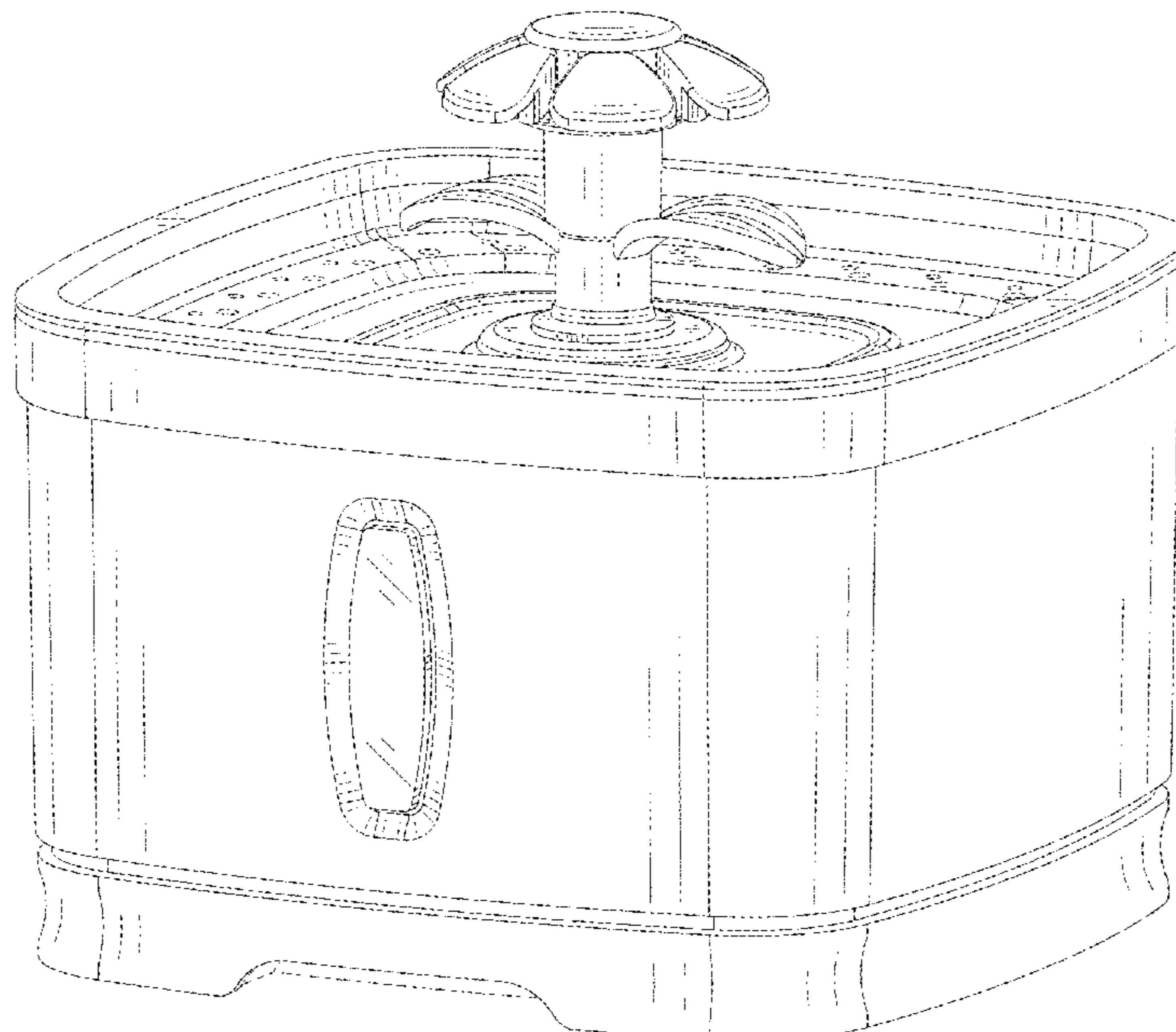
(57) **CLAIM**

The ornamental design for a water drinking device for pets, as shown and described.

DESCRIPTION

FIG. 1 is a front elevational view of a water drinking device for pets showing my new design;
FIG. 2 is a rear elevational view thereof;
FIG. 3 is a left side view thereof;
FIG. 4 is a right side view thereof;
FIG. 5 is a top plan view thereof;
FIG. 6 is a bottom plan view thereof;
FIG. 7 is a top, front and right side perspective view thereof; and,
FIG. 8 is a top, rear and left side perspective view thereof. The broken lines in the drawings illustrate portions of the water drinking device for pets which form no part of the claimed design.

1 Claim, 8 Drawing Sheets



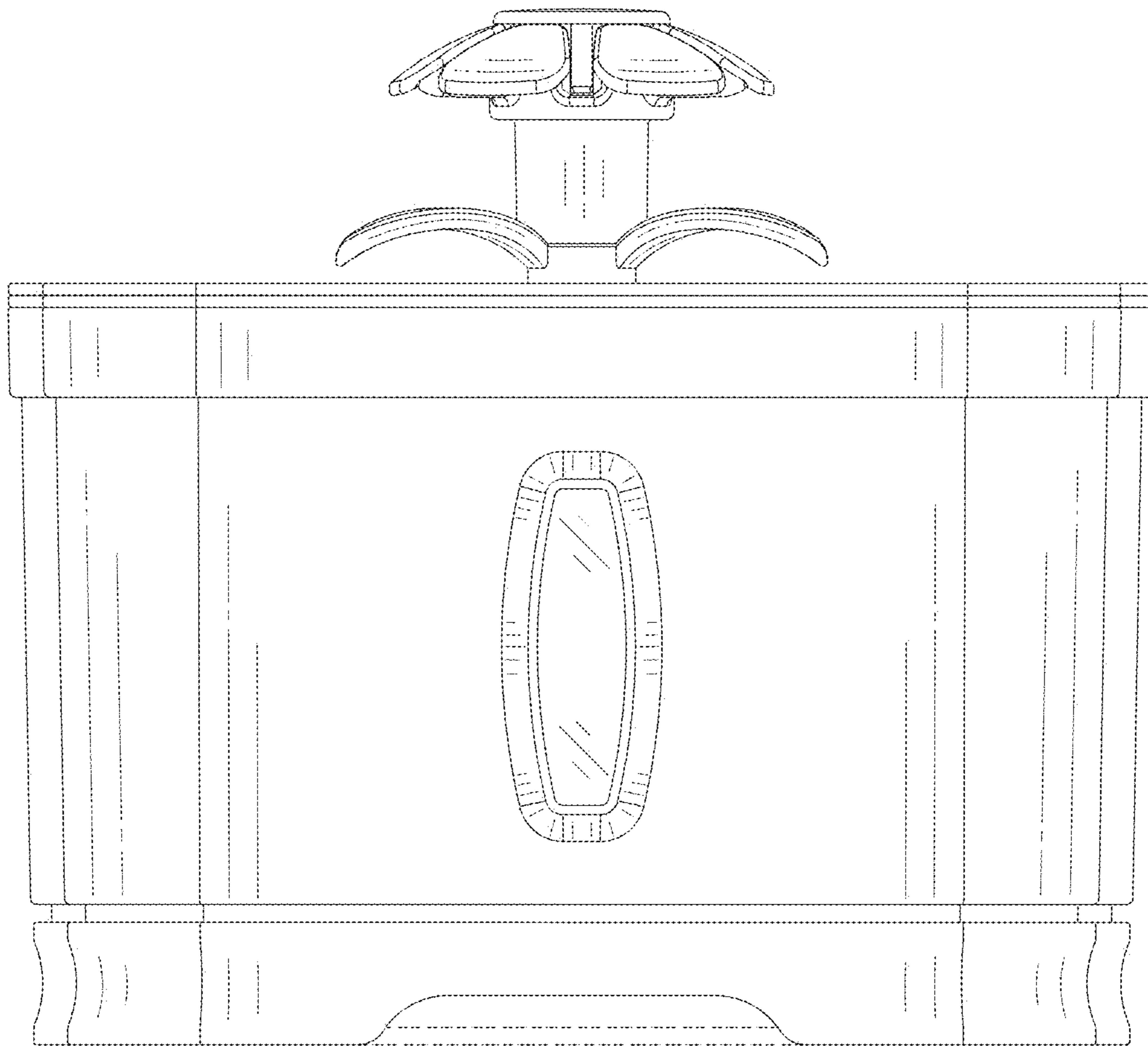


Fig.1

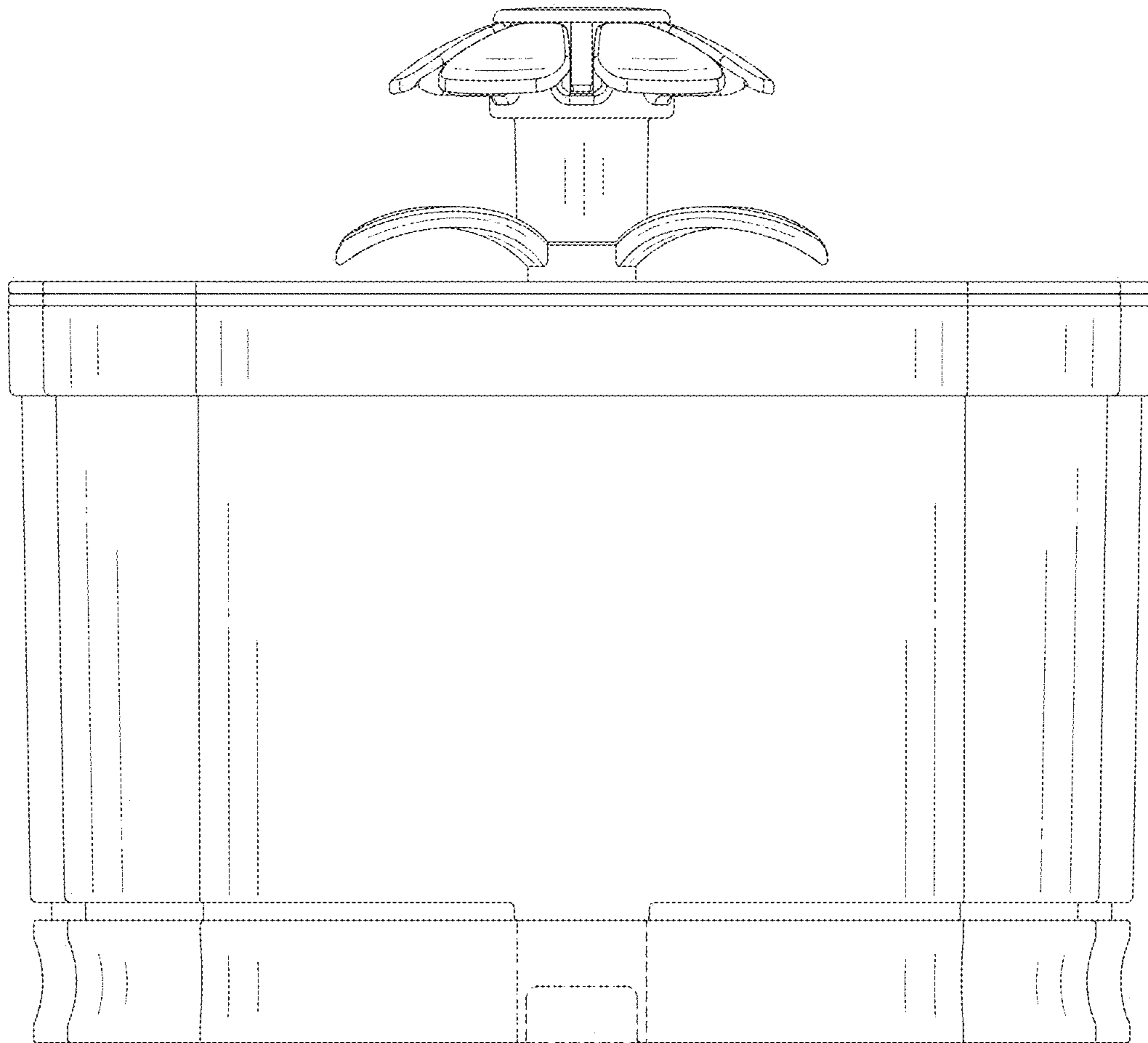


Fig.2

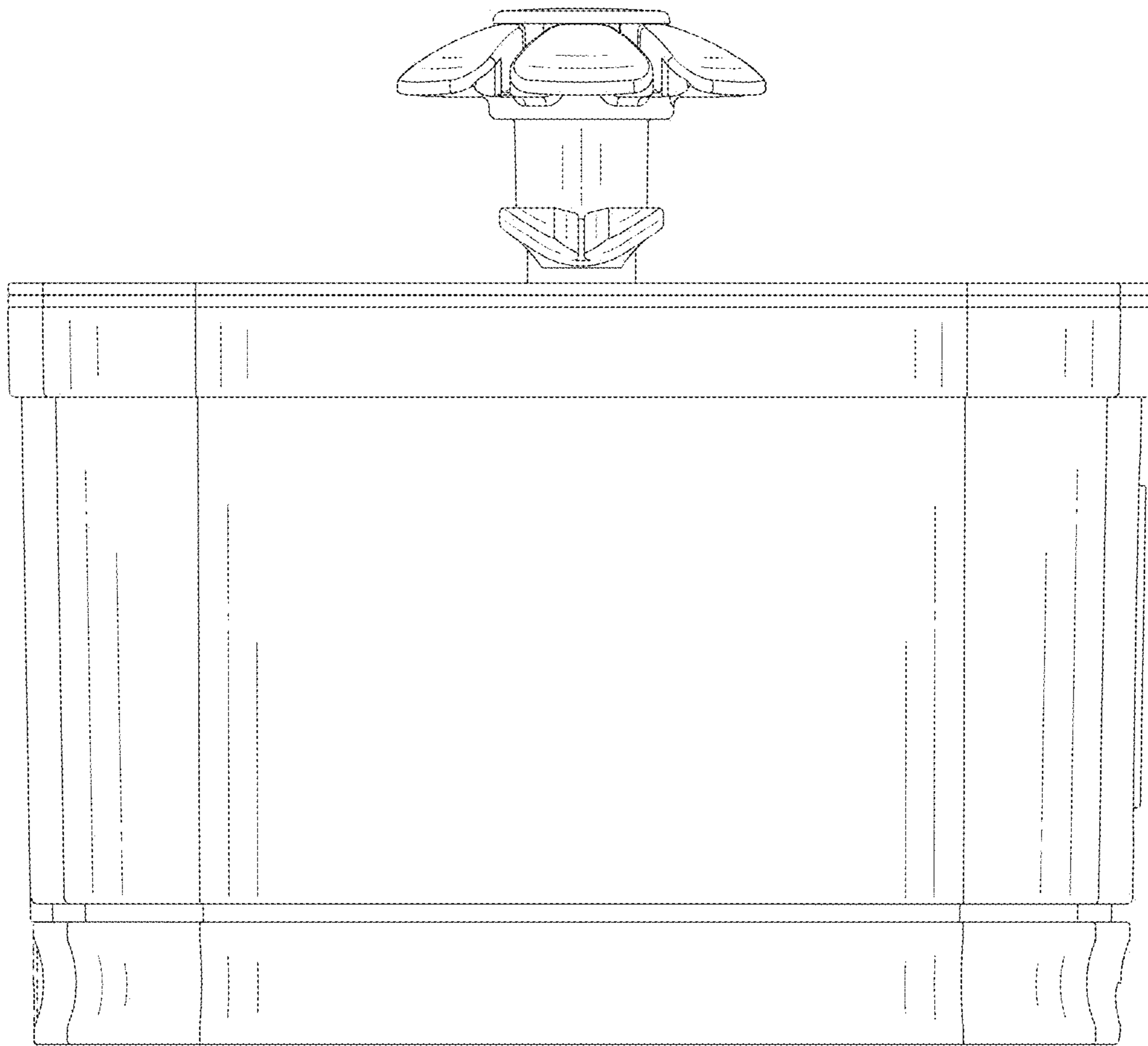


Fig.3

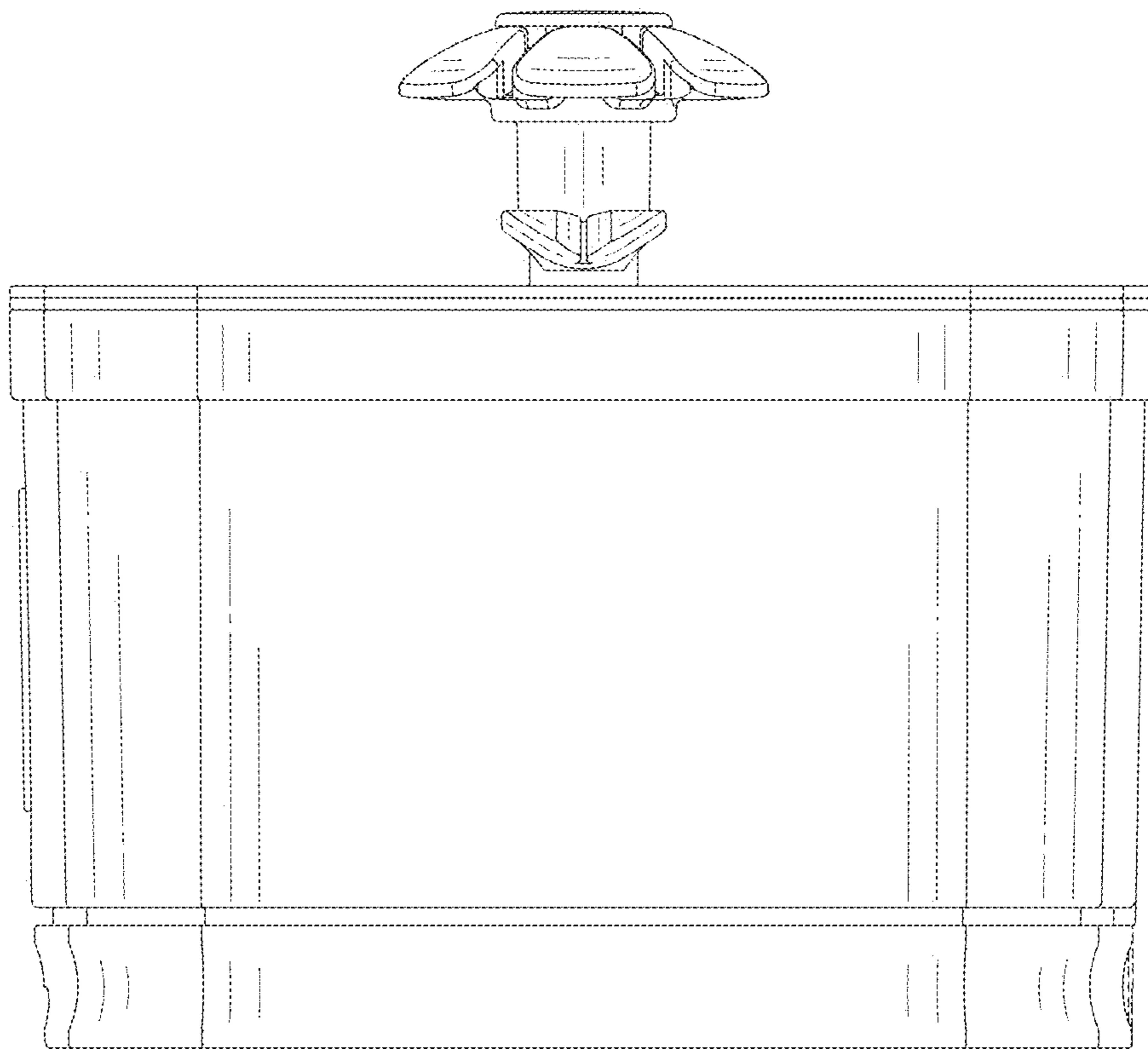


Fig.4

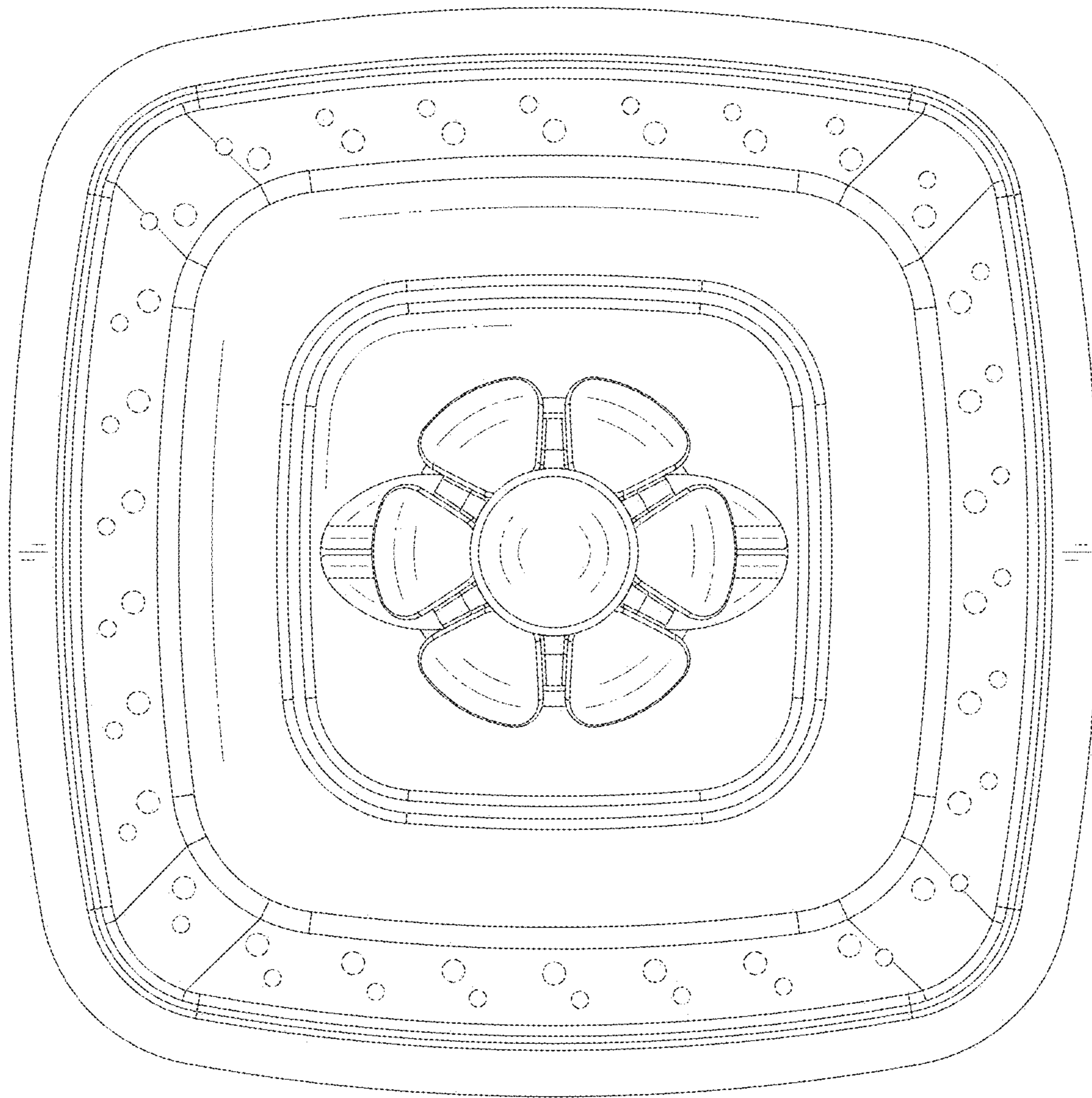


Fig.5

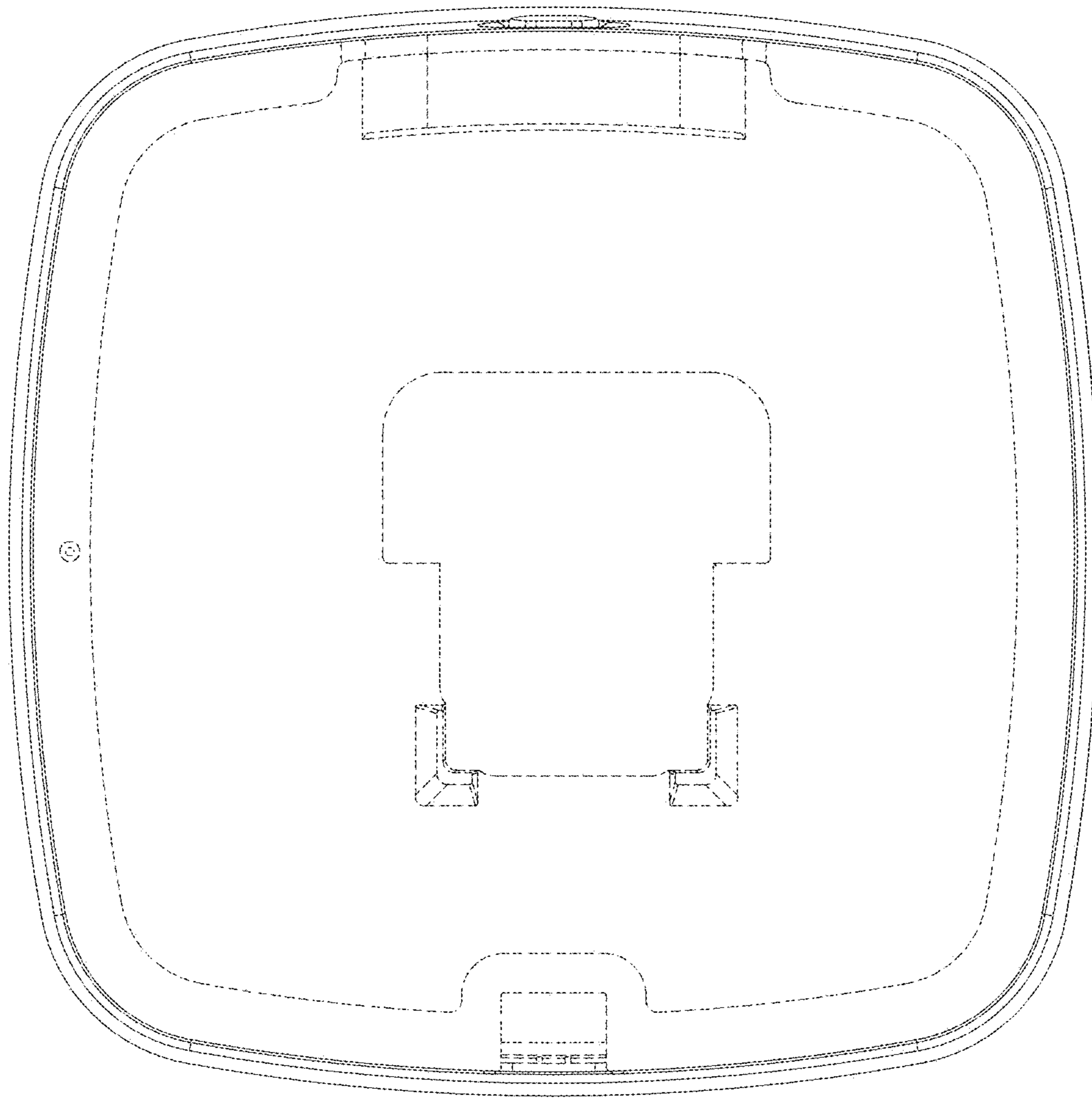


Fig.6

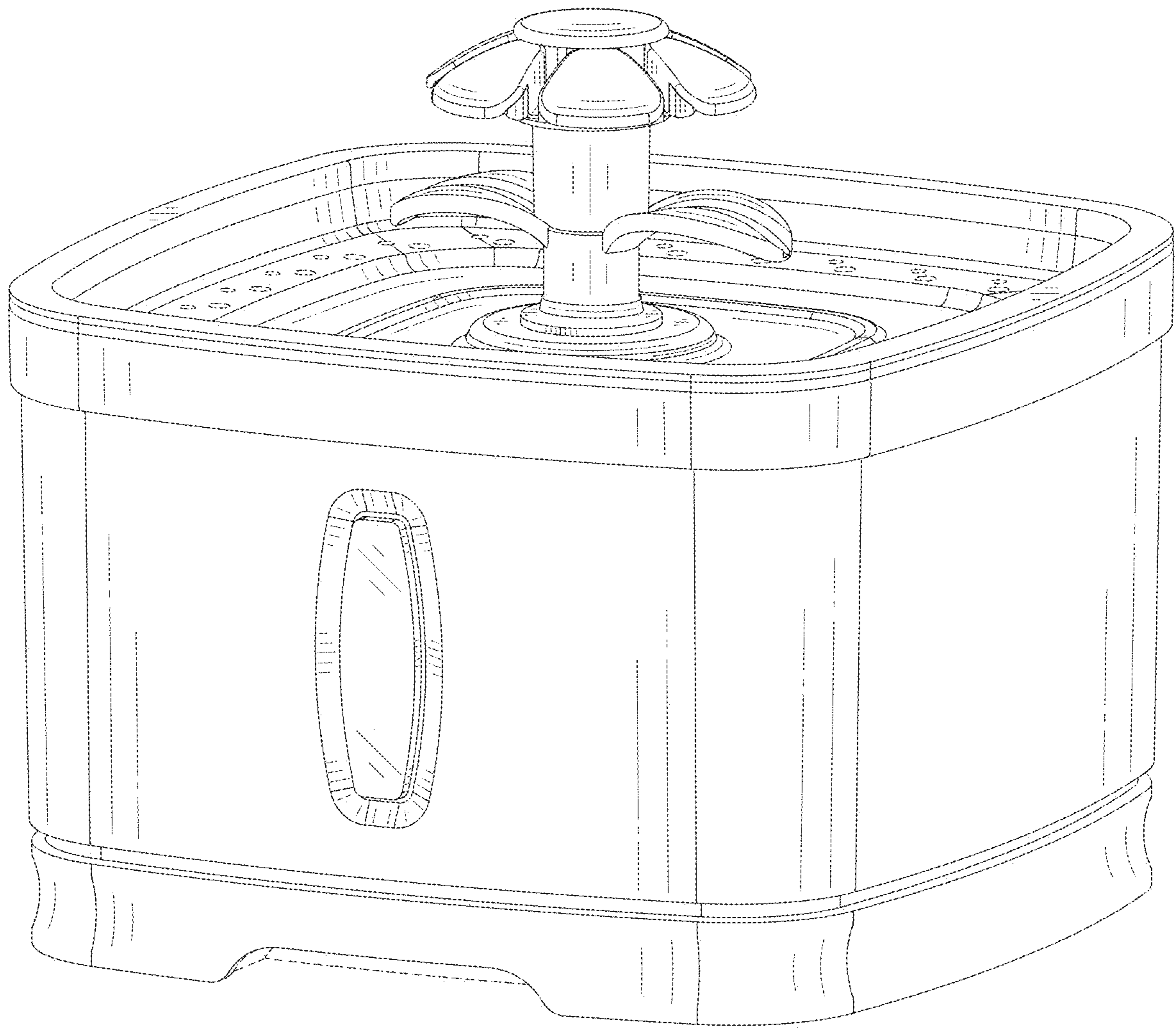


Fig.7

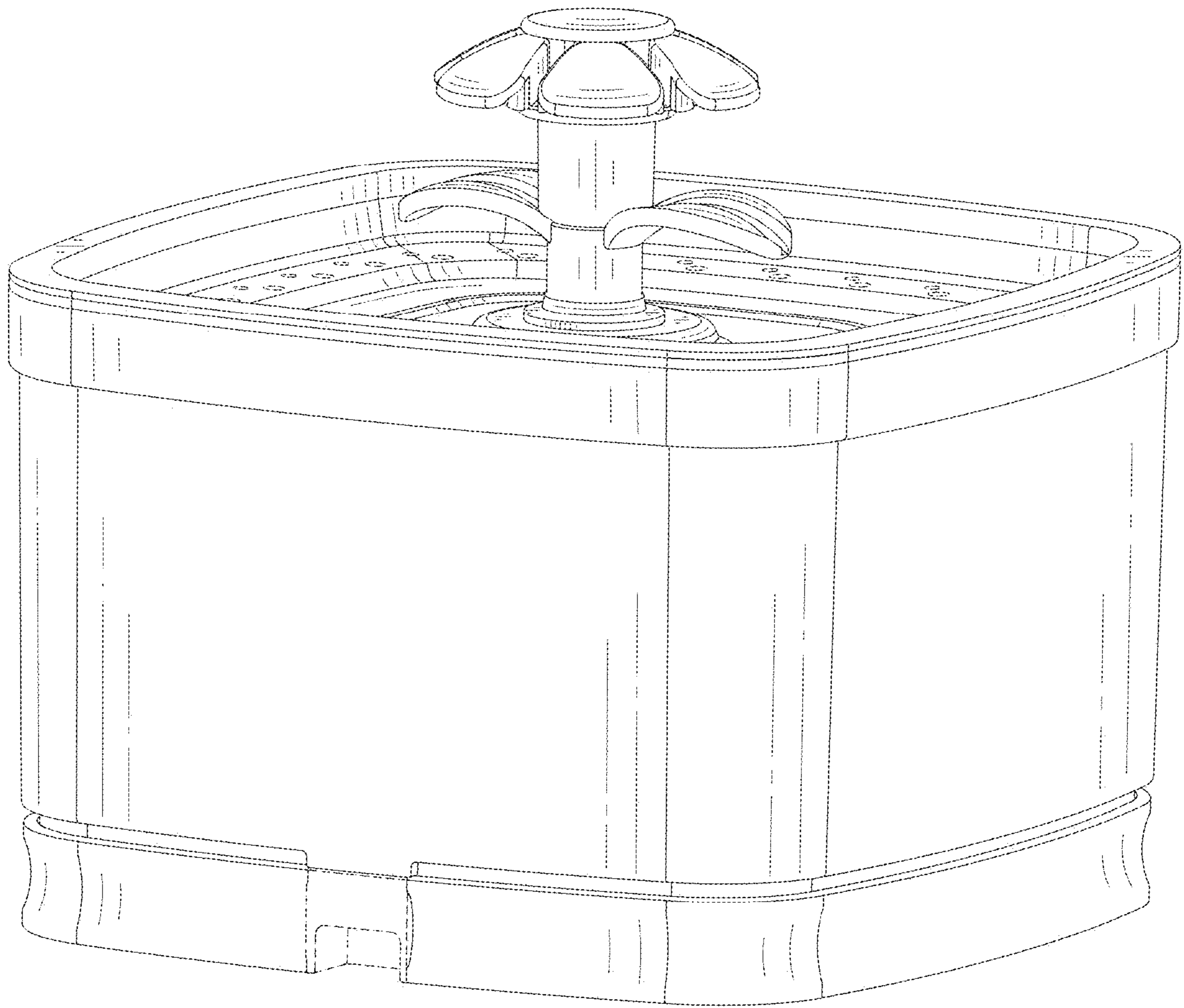


Fig.8