



US00D936912S

(12) **United States Design Patent**  
**Huang**

(10) **Patent No.:** **US D936,912 S**

(45) **Date of Patent:** **\*\* Nov. 23, 2021**

(54) **WATER DRINKING DEVICE FOR PETS**

D912,910 S \* 3/2021 Xue ..... D30/132  
D914,300 S \* 3/2021 Wu ..... D30/132  
D927,798 S \* 8/2021 Tao ..... D30/132

(71) Applicant: **Junzhou Huang**, Guangdong (CN)

(72) Inventor: **Junzhou Huang**, Guangdong (CN)

(\*\*) Term: **15 Years**

(21) Appl. No.: **29/735,632**

(22) Filed: **May 22, 2020**

(30) **Foreign Application Priority Data**

Nov. 25, 2019 (CN) ..... 201930650375.6

(51) **LOC (13) Cl.** ..... **30-03**

(52) **U.S. Cl.**  
USPC ..... **D30/132**

(58) **Field of Classification Search**

USPC ..... D30/121, 122, 129-133, 199; 119/51.01,  
119/51.02, 51.03, 51.11, 51.15, 51.5, 70,  
119/52.1, 52.3, 52.4, 53, 53.5, 54, 57.92,  
119/61.1, 61.3, 61.5, 61, 52, 61.53, 61.54,  
119/61.55, 68, 72, 73, 74, 75, 78, 174

CPC . A01K 5/00; A01K 7/00; A01K 39/02; A01K  
39/04; A01K 39/0213; A01K 5/0114;  
A01K 5/0121; A01K 5/0135; A01K 7/005

See application file for complete search history.

(56) **References Cited**

**U.S. PATENT DOCUMENTS**

D820,533 S \* 6/2018 Huang ..... D30/132  
10,165,753 B1 \* 1/2019 Huang ..... A01K 7/02  
D849,336 S \* 5/2019 Huang ..... D30/132  
D849,337 S \* 5/2019 Huang ..... D30/132  
D850,731 S \* 6/2019 Wu ..... D30/132  
D893,810 S \* 8/2020 Wu ..... D30/132  
D894,500 S \* 8/2020 Cui ..... D30/132  
D912,333 S \* 3/2021 Wang ..... D30/132

**OTHER PUBLICATIONS**

“NICREW Cat Water Fountain” available Jul. 4, 2019, [online], [site visited Sep. 20, 2021]. Retrieved from Internet, URL:https://www.amazon.com/NICREW-Fountain-Dispenser-Nightlight-Stainless/dp/B07TTM6791/ref=sr\_1\_141 (Year: 2019).\*

“Petbuy Pet Cat Water Fountain” available Mar. 29, 2021, [online], [site visited Sep. 20, 2021]. Retrieved from Internet, URL:https://www.amazon.com/Petbuy-Stainless-Automatic-Re-Circulation-Filtration/dp/B0919T12SZ/ref=sr\_1\_292\_sspa (Year: 2021).\*

“Ewilibe Cat Water Fountain” available Apr. 7, 2021, [online], [site visited Sep. 20, 2021]. Retrieved from Internet, URL:https://www.amazon.com/Ewilibe-Stainless-Automatic-Dispenser-Filtration/dp/B091XXK4SD/ref=sr\_1\_304\_sspa (Year: 2021).\*

\* cited by examiner

*Primary Examiner* — W. A. Teddy Falloway

*Assistant Examiner* — Katrina N Gonzalez

(57) **CLAIM**

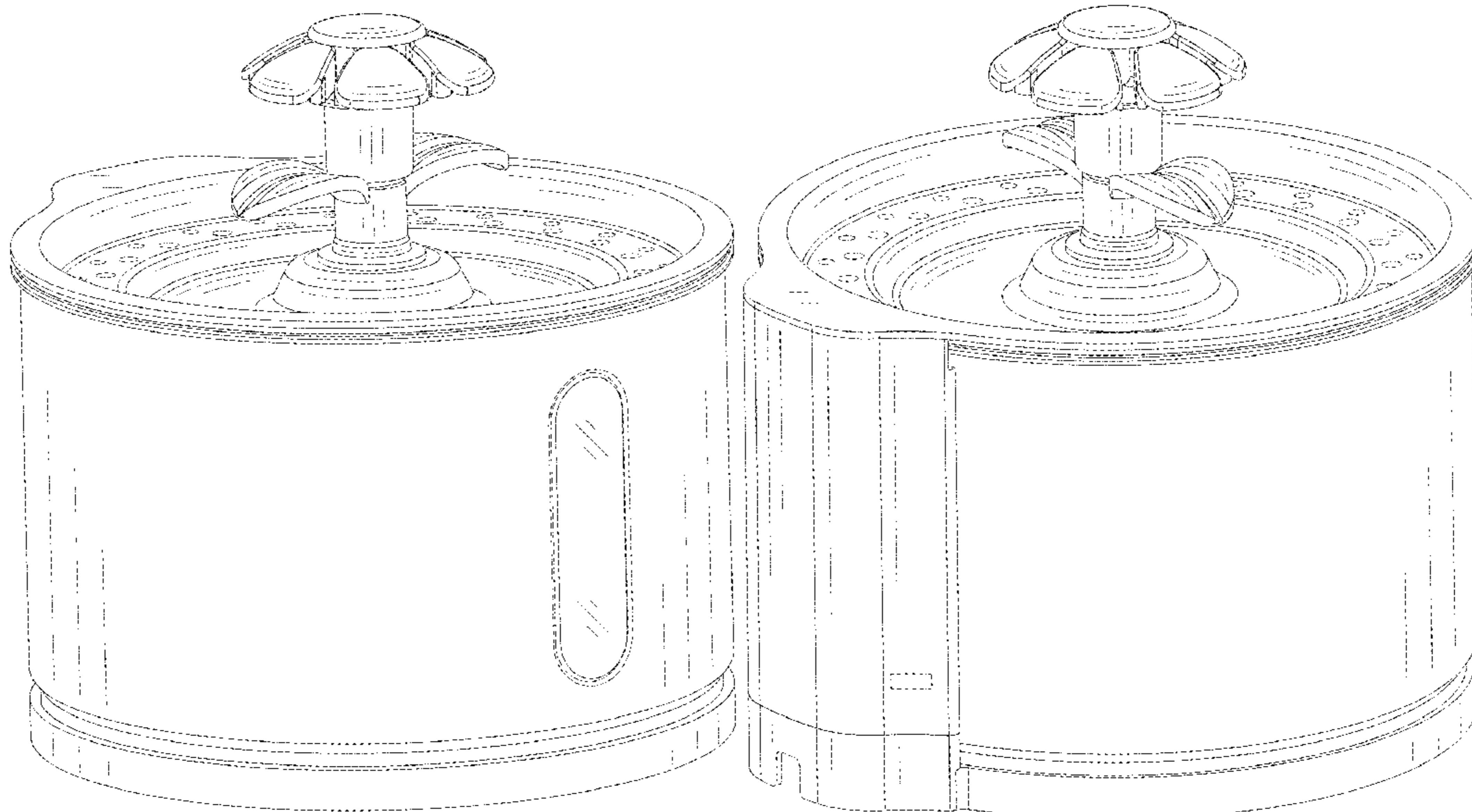
The ornamental design for a water drinking device for pets, as shown and described.

**DESCRIPTION**

FIG. 1 is a front elevational view of a water drinking device for pets showing my new design;  
FIG. 2 is a rear elevational view thereof;  
FIG. 3 is a left side view thereof;  
FIG. 4 is a right side view thereof;  
FIG. 5 is a top plan view thereof;  
FIG. 6 is a bottom plan view thereof;  
FIG. 7 is a top, front and left side perspective view thereof;  
and,

FIG. 8 is a top, rear and left side perspective view thereof. The broken lines in the drawings illustrate portions of the water drinking device for pets which form no part of the claimed design.

**1 Claim, 8 Drawing Sheets**



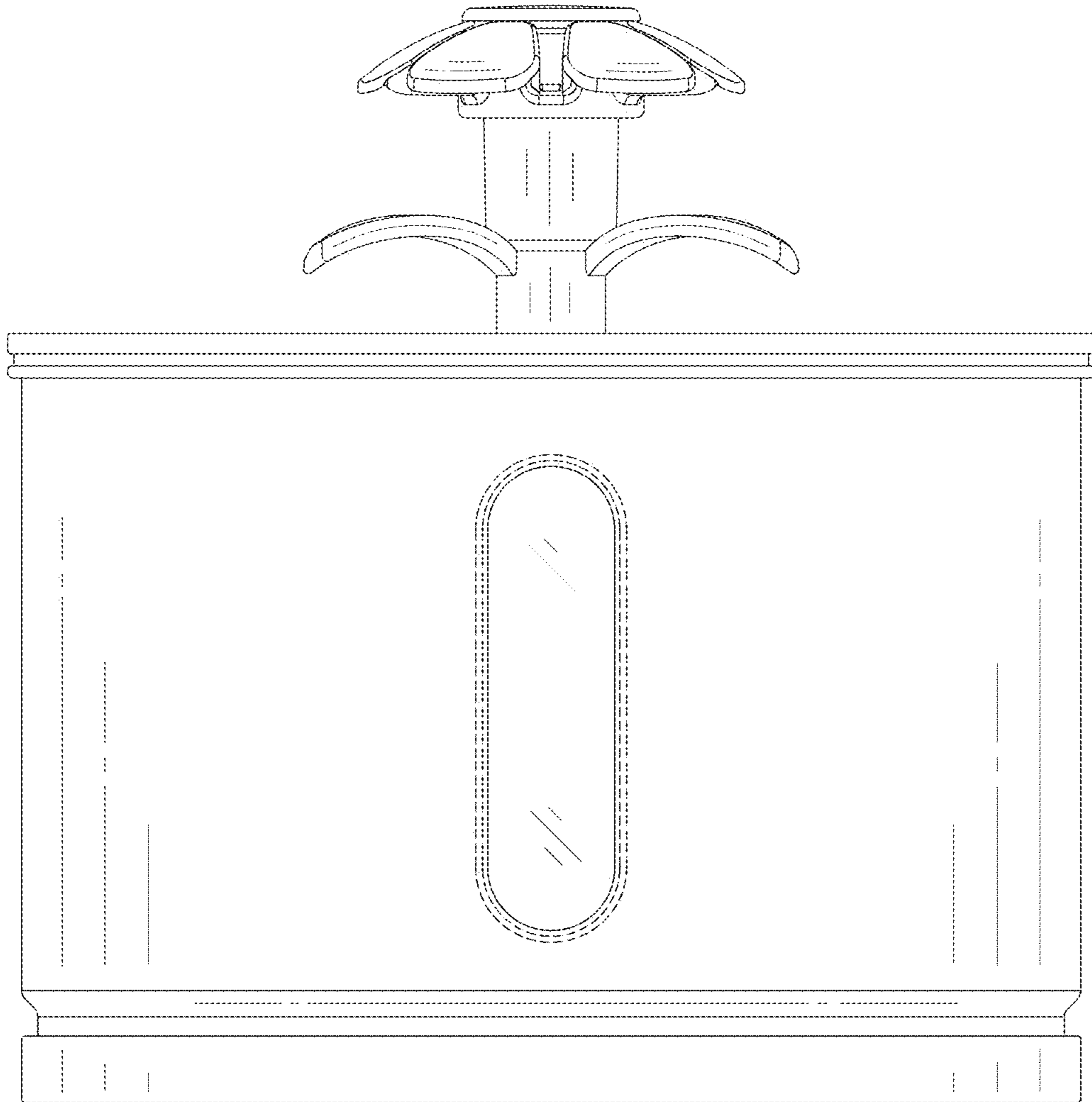


Fig. 1

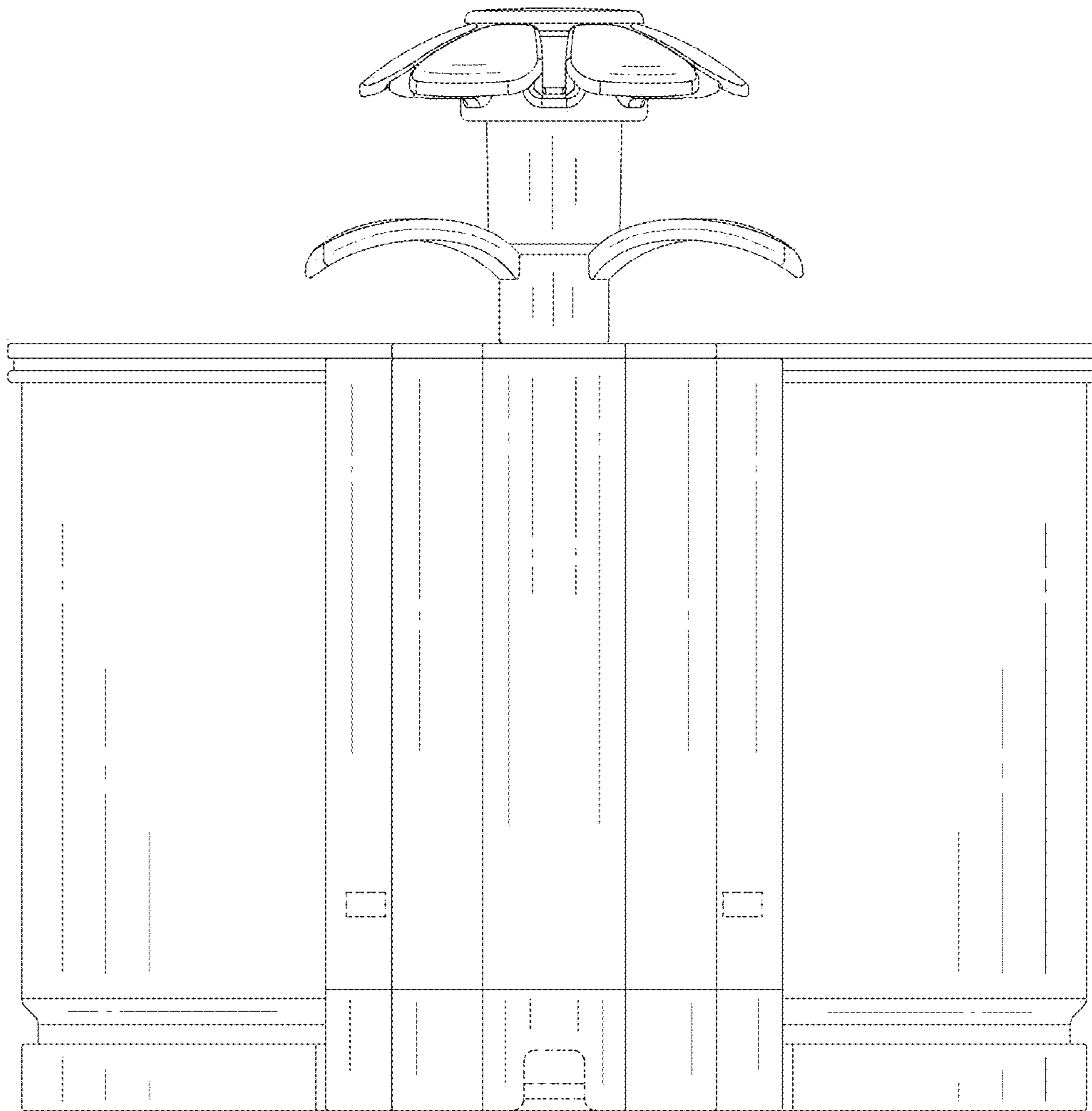


Fig. 2

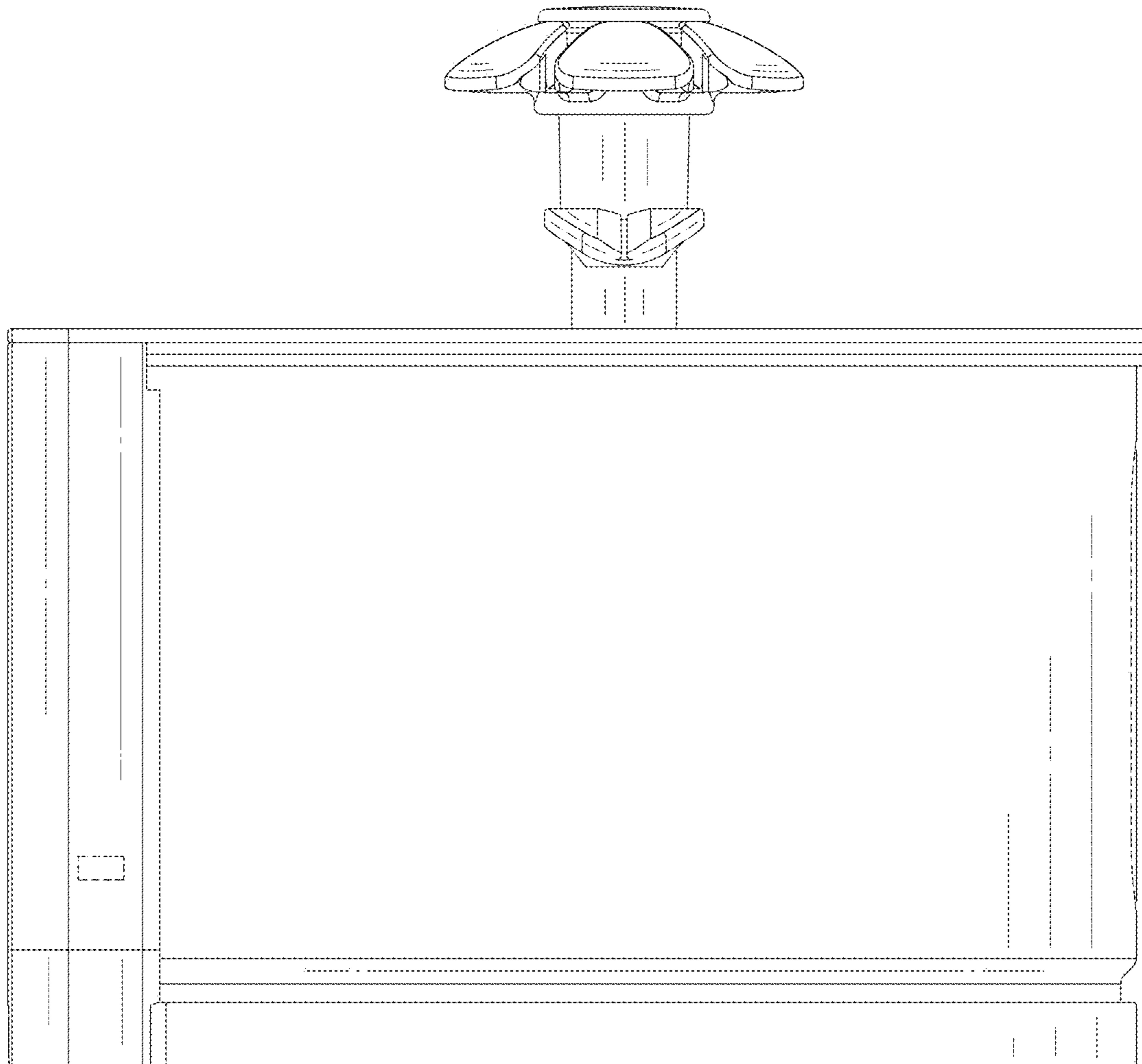


Fig. 3

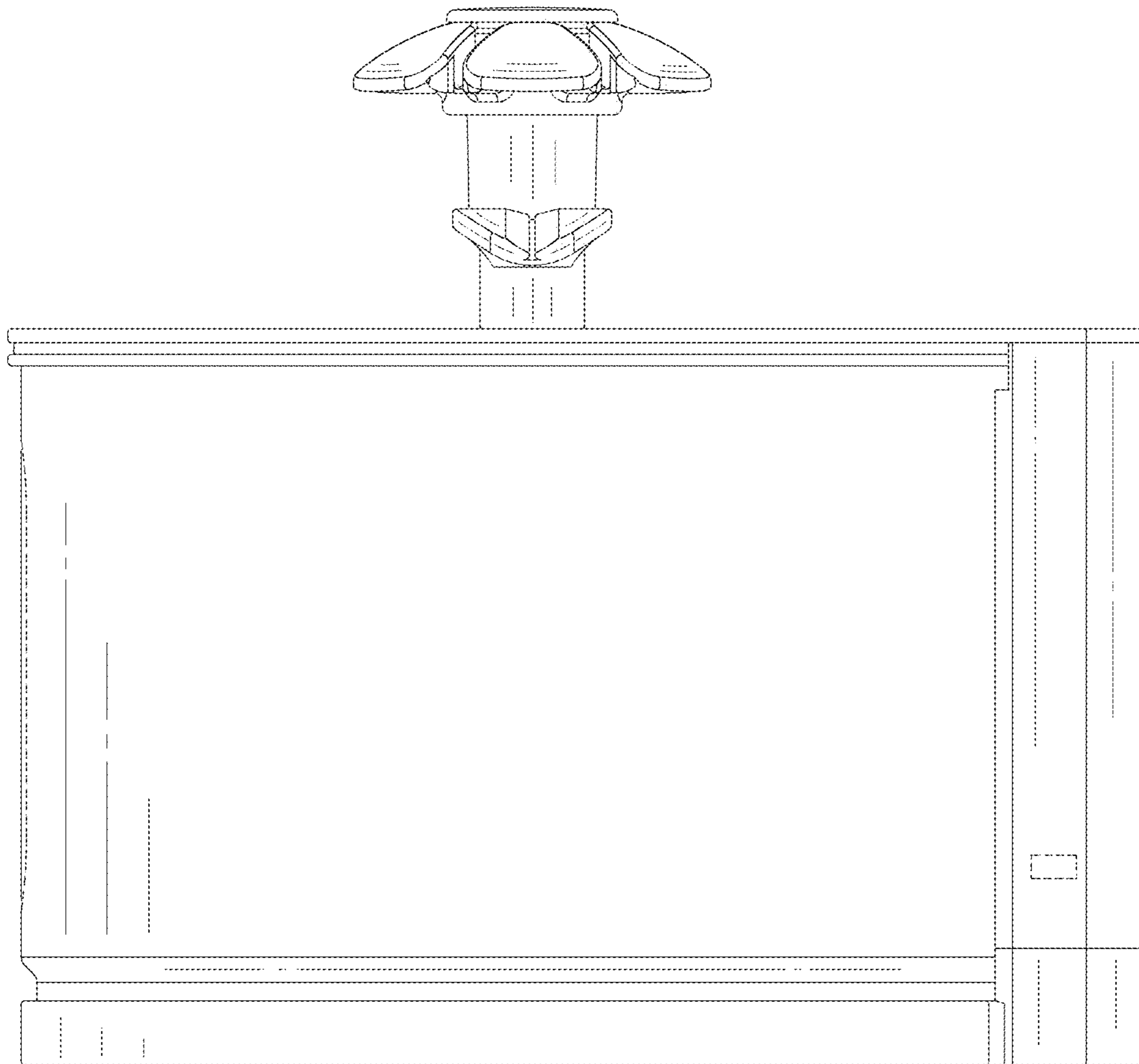


Fig. 4

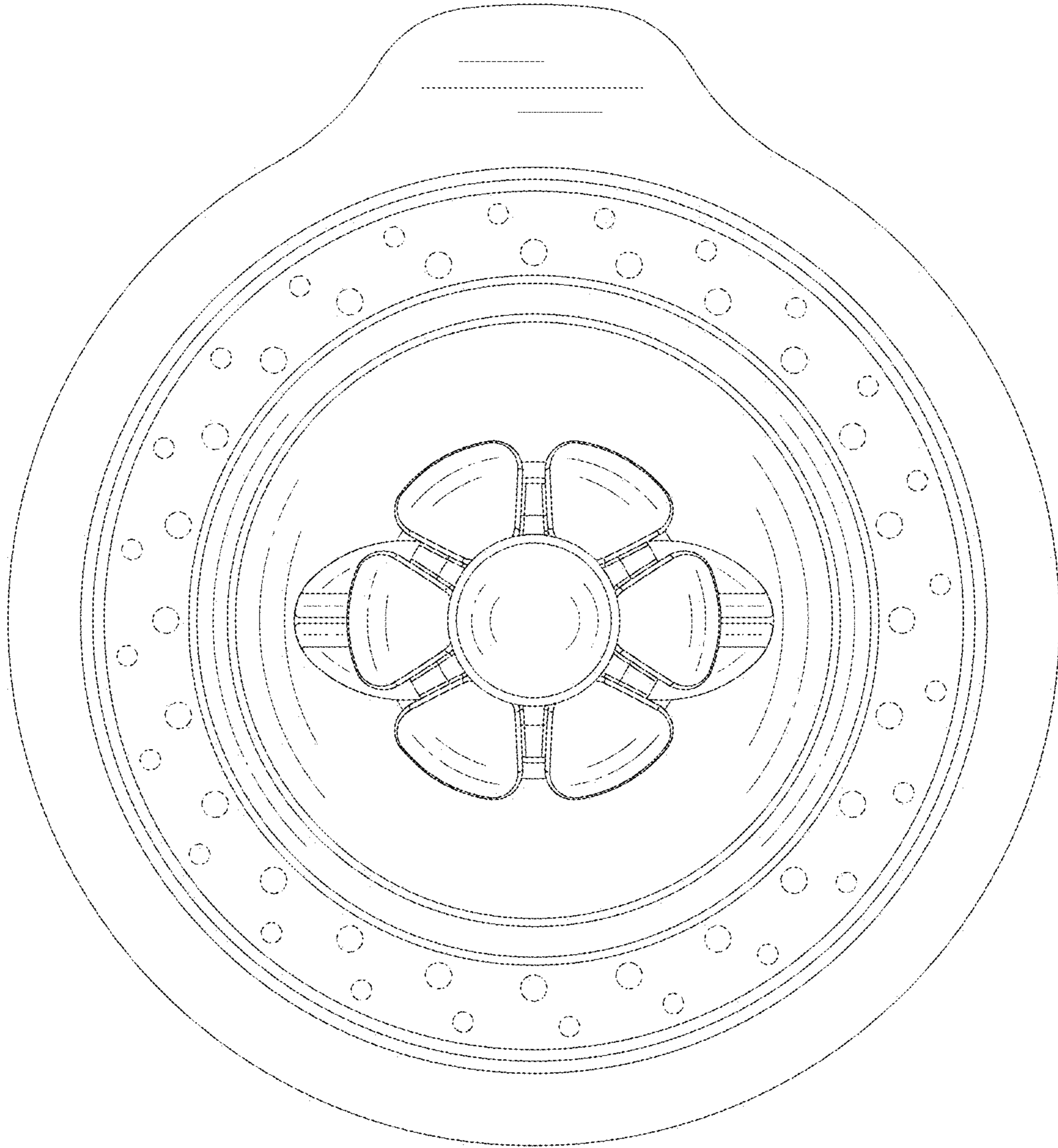


Fig. 5

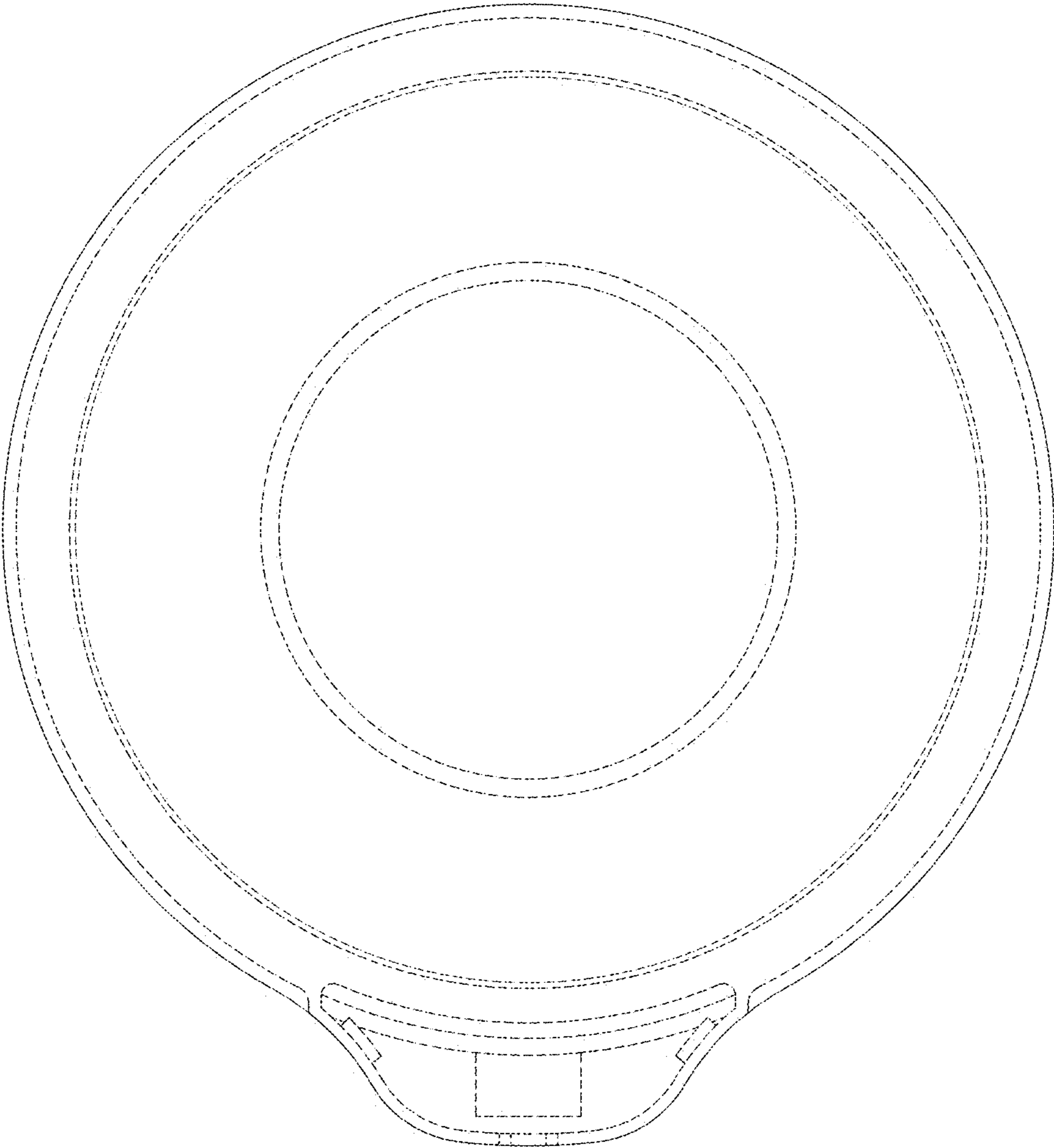


Fig. 6

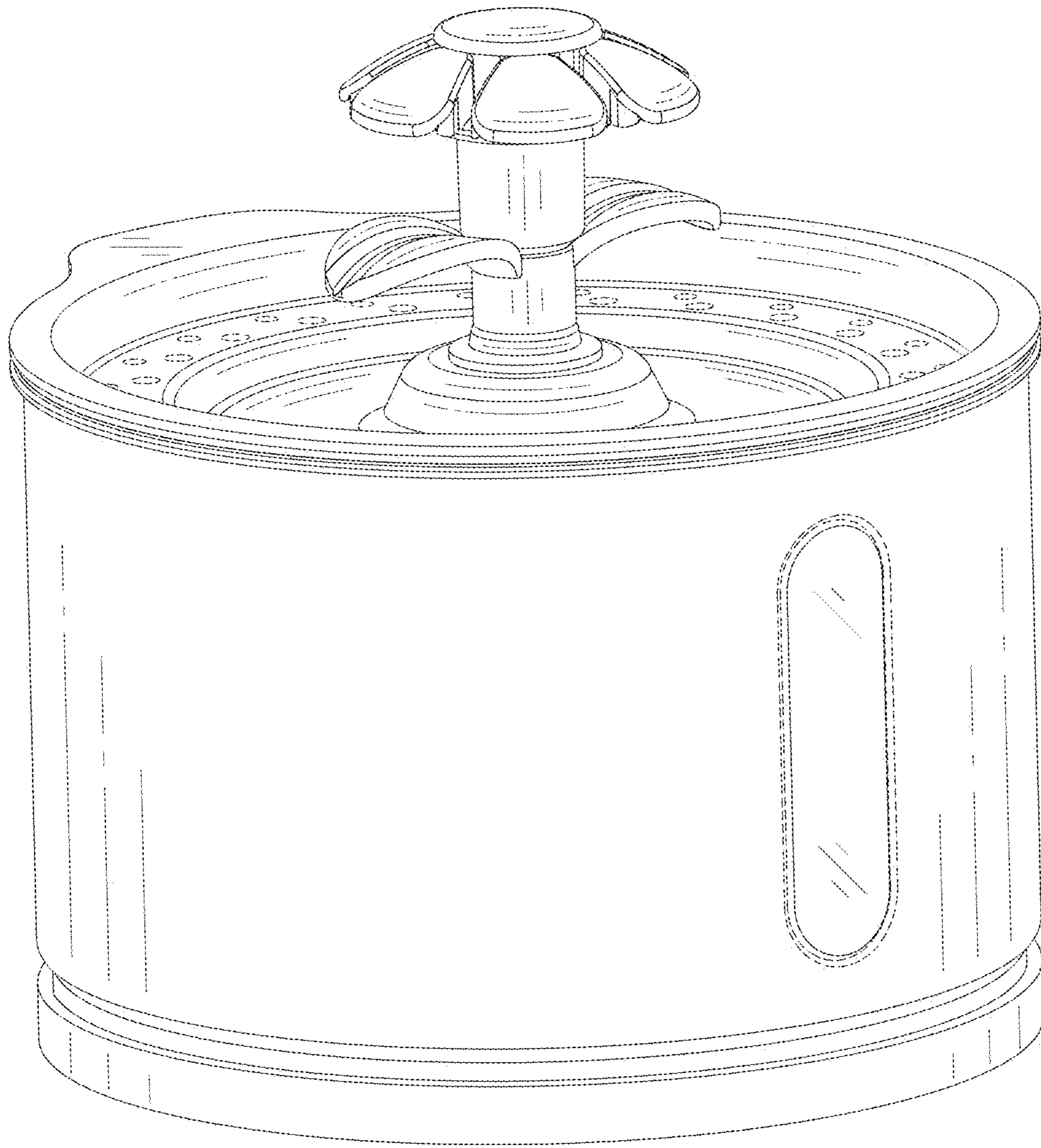


Fig. 7



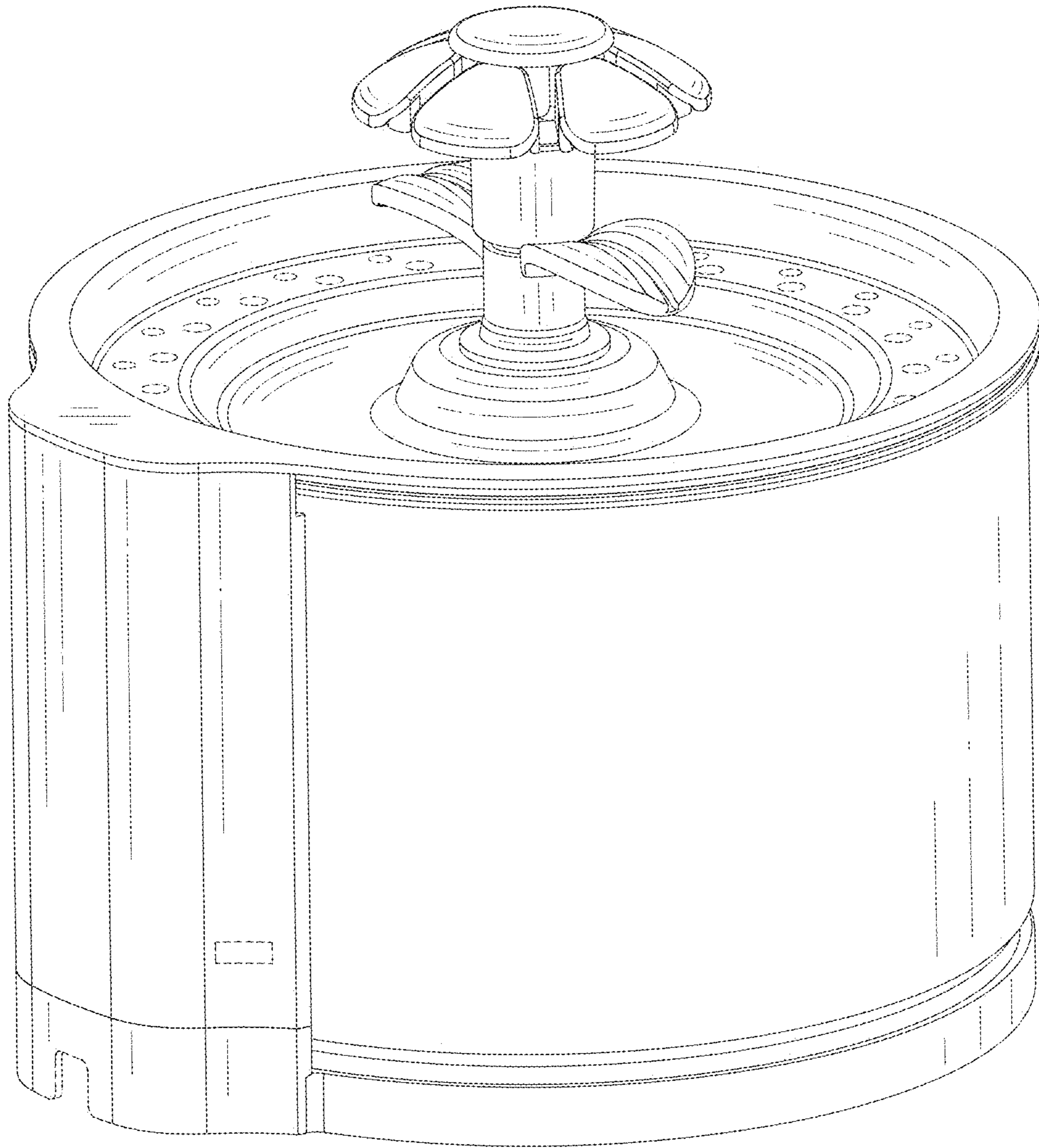


Fig. 8