



US00D936909S

(12) **United States Design Patent** (10) **Patent No.:** **US D936,909 S**
Jefferis et al. (45) **Date of Patent:** **** Nov. 23, 2021**

(54) **SURGICAL FACE SHIELD FOR A SURGICAL HOOD**

(71) Applicant: **Stryker Corporation**, Kalamazoo, MI (US)

(72) Inventors: **Ryan Jefferis**, Seattle, WA (US); **Beau Kidman**, Kalamazoo, MI (US); **Stephen Isham**, Mattawan, MI (US); **Mark Wasserman**, Delton, MI (US)

(73) Assignee: **Stryker Corporation**, Kalamazoo, MI (US)

(**) Term: **15 Years**

(21) Appl. No.: **29/744,296**

(22) Filed: **Jul. 28, 2020**

Related U.S. Application Data

(63) Continuation of application No. 29/700,210, filed on Jul. 31, 2019.

(51) **LOC (13) Cl.** **02-99**

(52) **U.S. Cl.**
USPC **D29/122**

(58) **Field of Classification Search**
USPC D29/107, 108, 110, 122; D24/110, D24/110.1, 110.2

(Continued)

(56) **References Cited**

U.S. PATENT DOCUMENTS

4,063,740 A * 12/1977 Mader A63B 69/3608
473/210
4,920,576 A * 5/1990 Landis A41D 13/1184
2/9

(Continued)

FOREIGN PATENT DOCUMENTS

WO 2017112485 A1 6/2017

OTHER PUBLICATIONS

Disposable Stryker Flyte Medical Protective Hood-China (on-line), no date available. Retrieved from Internet Jul. 8, 2021, URL: <https://xinruimedical.en.made-in-china.com/product/xKCmBHNbEiYe/China-Disposable-Stryker-Flyte-Medical-Protective-Hood.html> (1 page).*

(Continued)

Primary Examiner — Kimberly Barnes

(74) *Attorney, Agent, or Firm* — Howard & Howard Attorneys PLLC

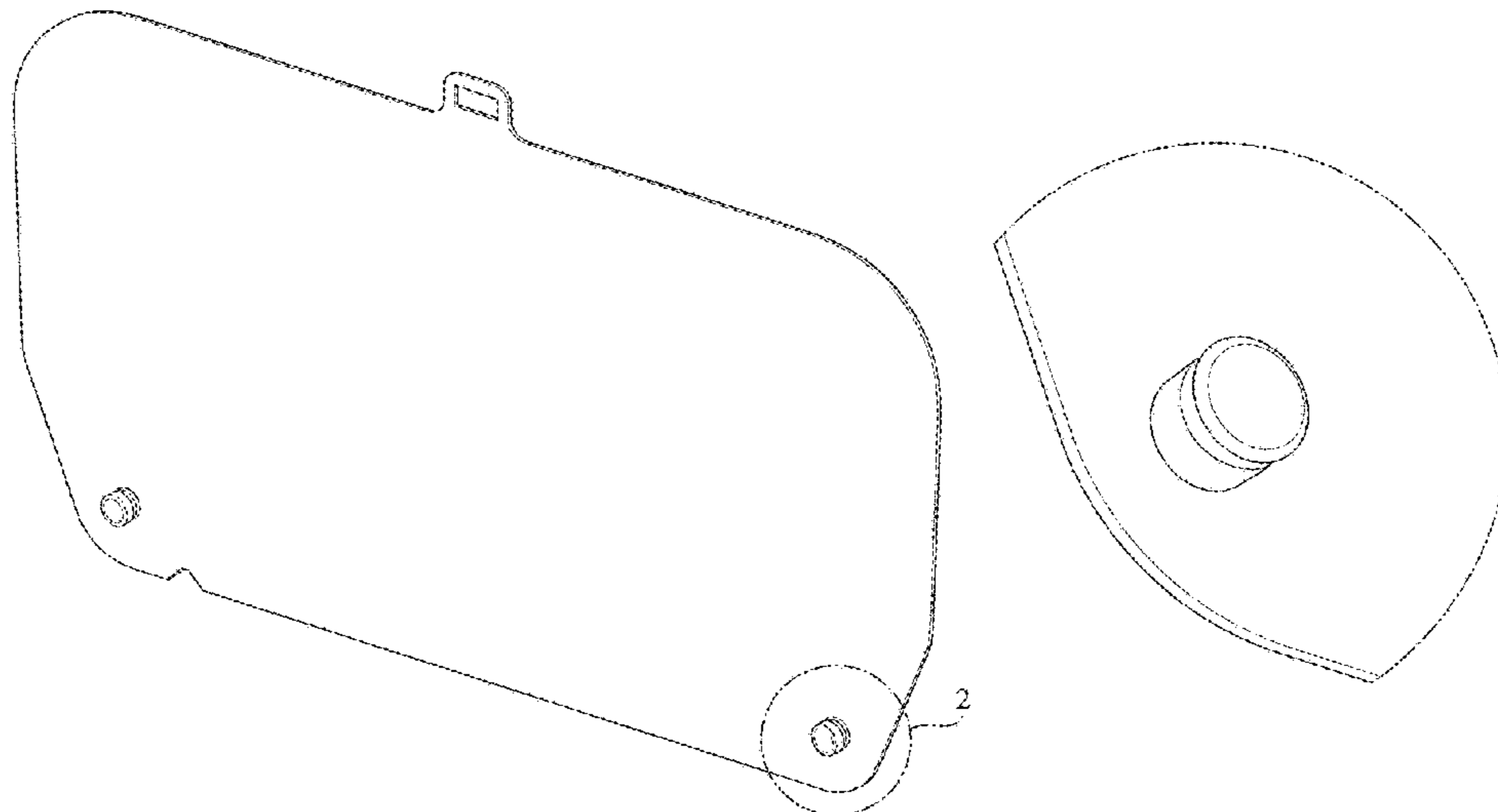
(57) **CLAIM**

The ornamental design for a surgical face shield for a surgical hood, as shown and described.

DESCRIPTION

FIG. 1 is a top, front right-side perspective view of a surgical face shield for a surgical hood showing our new design; FIG. 2 is a partial enlarged view of FIG. 1; FIG. 3 is a partial enlarged view of FIG. 4; FIG. 4 is a rear, bottom right-side perspective view thereof; FIG. 5 is a front view thereof; FIG. 6 is a rear view thereof; FIG. 7 is a partial enlarged view of FIG. 5; FIG. 8 is a partial enlarged right-side view of FIG. 10; FIG. 9 is a partial cross-sectional view taken along the axis of FIG. 7; FIG. 10 is a right-side view thereof; FIG. 11 is a left-side view thereof; FIG. 12 is a top view thereof; FIG. 13 is a bottom view thereof; and, FIG. 14 is a partial enlarged bottom view of FIG. 13. The broken lines included throughout the figures are merely included to identify a region that is enlarged in a subsequent figure and forms no part of the claimed design.

1 Claim, 8 Drawing Sheets



(58) **Field of Classification Search**

CPC A41D 13/11; A41D 13/1107; A41D
13/1153; A41D 13/1161; A41D 13/1184;
A41D 13/1218; A41D 13/12; A62B
17/04; A62B 18/02; A42B 3/26; A42B
1/04; A42B 1/06; A42B 3/04; A42B 3/22;
A42B 3/28

See application file for complete search history.

(56) **References Cited**

U.S. PATENT DOCUMENTS

4,965,887 A * 10/1990 Paoluccio A61F 9/029
2/9
D318,147 S * 7/1991 Russell A41D 13/1184
D29/110
5,301,372 A 4/1994 Matoba
5,630,412 A 5/1997 Dubruille et al.
5,711,033 A 1/1998 Green et al.
6,170,084 B1 1/2001 Gordon et al.
6,378,133 B1 * 4/2002 Daikuzono A61F 9/06
2/9
6,481,019 B2 11/2002 Diaz et al.
6,622,311 B2 9/2003 Diaz et al.
6,792,944 B1 9/2004 Green et al.
6,918,141 B2 7/2005 Green et al.
6,928,662 B2 8/2005 Fournier
6,954,968 B1 10/2005 Sitbon
6,973,677 B2 12/2005 Diaz et al.
7,093,302 B1 8/2006 Burns
7,200,873 B2 4/2007 Klotz et al.
7,225,471 B2 6/2007 Sutter et al.
7,735,156 B2 6/2010 VanDerWoude et al.
7,752,682 B2 7/2010 VanDerWoude et al.
7,937,775 B2 5/2011 Manzella, Jr. et al.

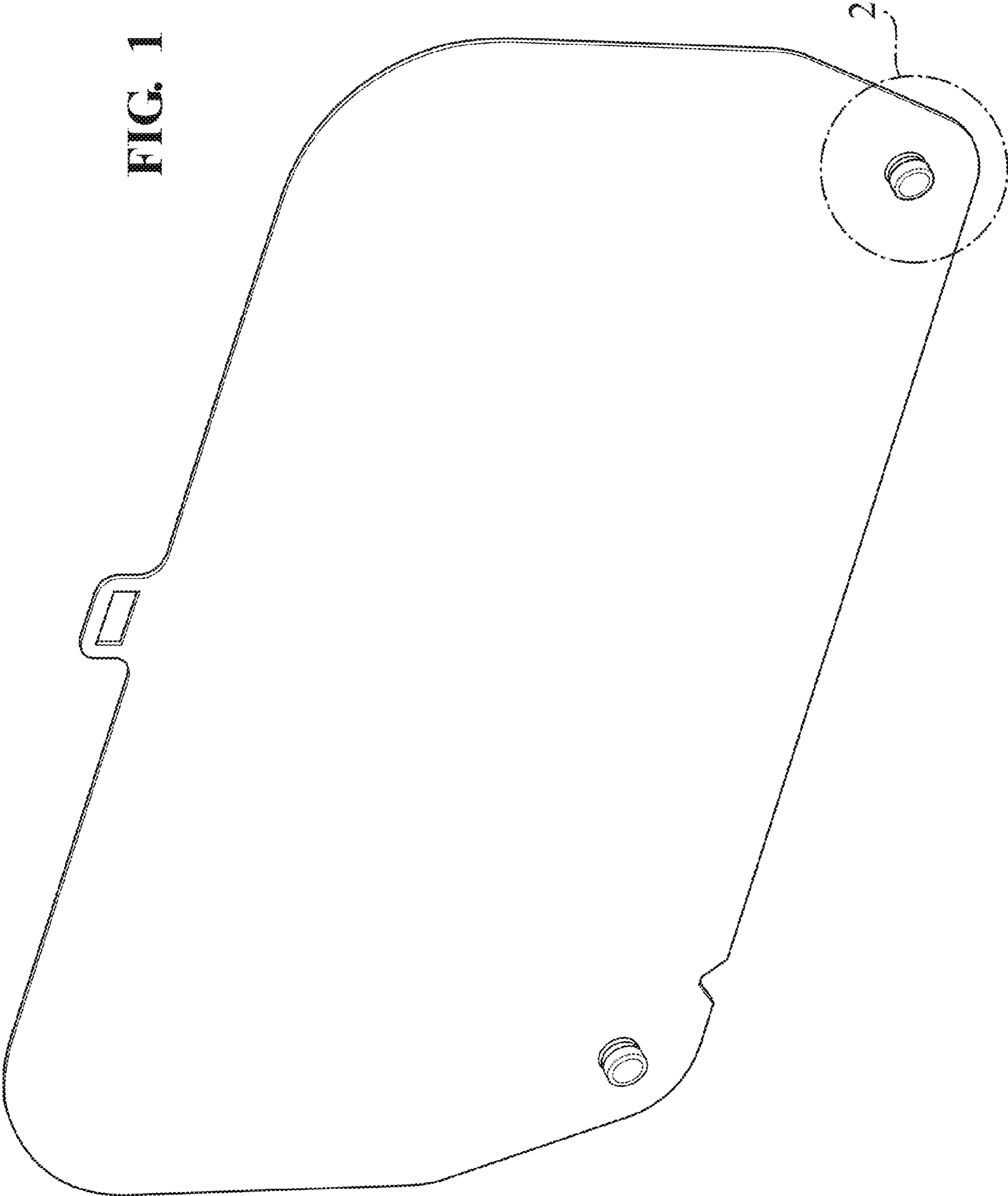
D662,261 S * 6/2012 Klotz D29/109
8,225,421 B1 7/2012 Froissard
8,234,722 B2 8/2012 VanDerWoude et al.
8,261,375 B1 9/2012 Reaux
8,282,234 B2 10/2012 VanDerWoude et al.
8,302,599 B2 11/2012 Green
D675,787 S * 2/2013 Klotz D29/110
D677,008 S * 2/2013 Klotz D29/110
8,407,818 B2 4/2013 VanDerWoude et al.
8,453,262 B2 6/2013 Green
8,621,664 B2 1/2014 Peebles
8,745,763 B2 6/2014 Cho
8,819,869 B2 9/2014 VanDerWoude et al.
9,173,437 B2 11/2015 VanDerWoude et al.
9,833,032 B2 12/2017 Jacobsen
D840,606 S * 2/2019 Berggren D29/122
D875,321 S * 2/2020 Bastman D29/122
D877,887 S * 3/2020 Kelly D24/110.2
D901,088 S * 11/2020 Berggren D29/122
2007/0060011 A1 3/2007 Daftari et al.
2009/0151054 A1 6/2009 VanDerWoude et al.
2013/0283508 A1 10/2013 Durham et al.
2015/0090254 A1 4/2015 Pavalarajan et al.
2015/0375019 A1 12/2015 VanDerWoude et al.
2020/0178622 A1 * 6/2020 Jascomb A41D 13/1192

OTHER PUBLICATIONS

Bio-Medical Devices Intl, "MaxAir Systems 2270-01 Pre-Filter
DLC Hood Instructions for Use", Available on or before Apr. 2017,
3 pages.
Non-Final Office Action for U.S. Appl. No. 16/223,523, dated Jul.
11, 2019, 14 pages.
Design U.S. Appl. No. 29/700,210, filed Jul. 31, 2019.
U.S. Appl. No. 16/257,668, filed Jan. 25, 2019.

* cited by examiner

FIG. 1



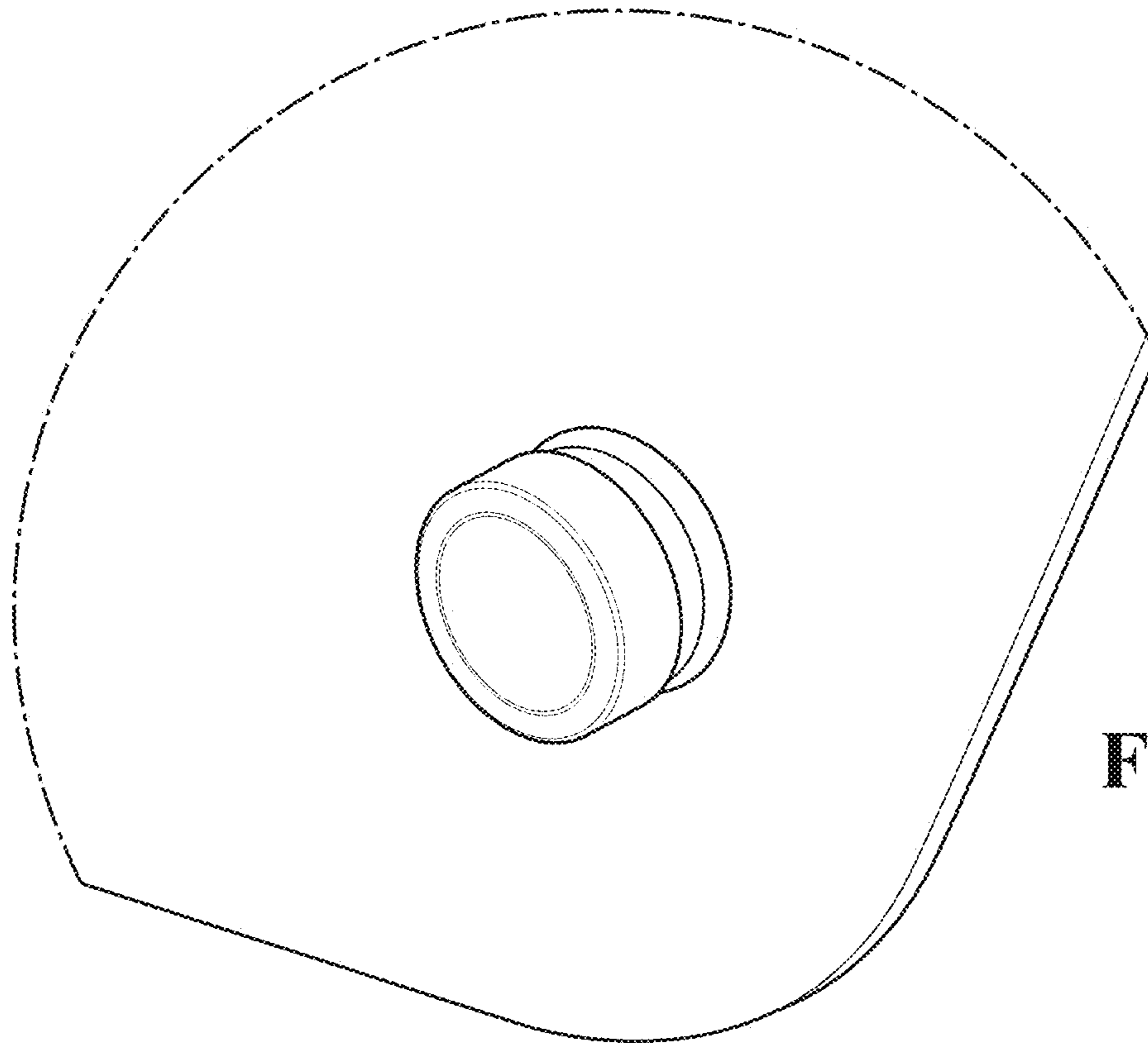


FIG. 2

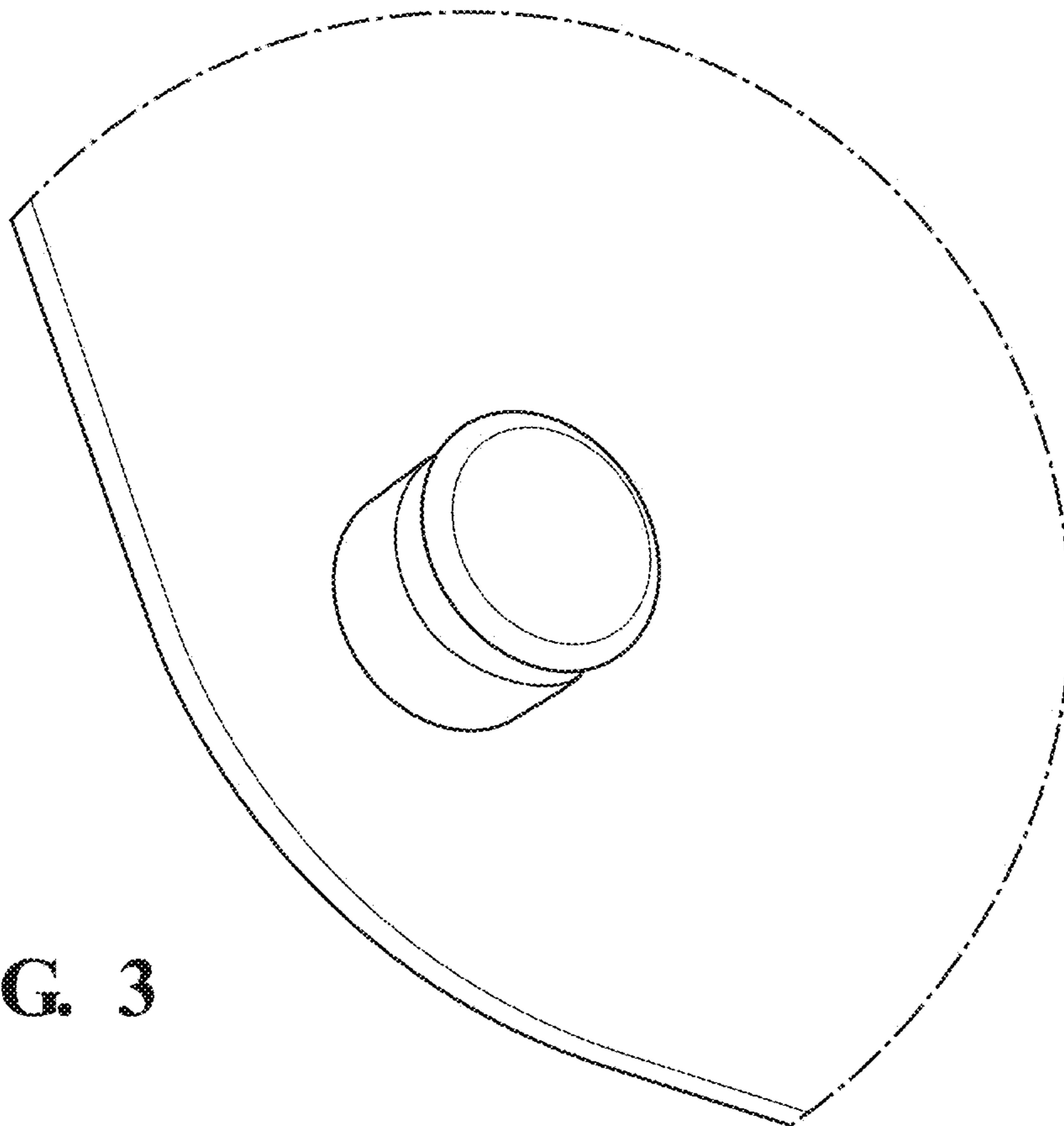
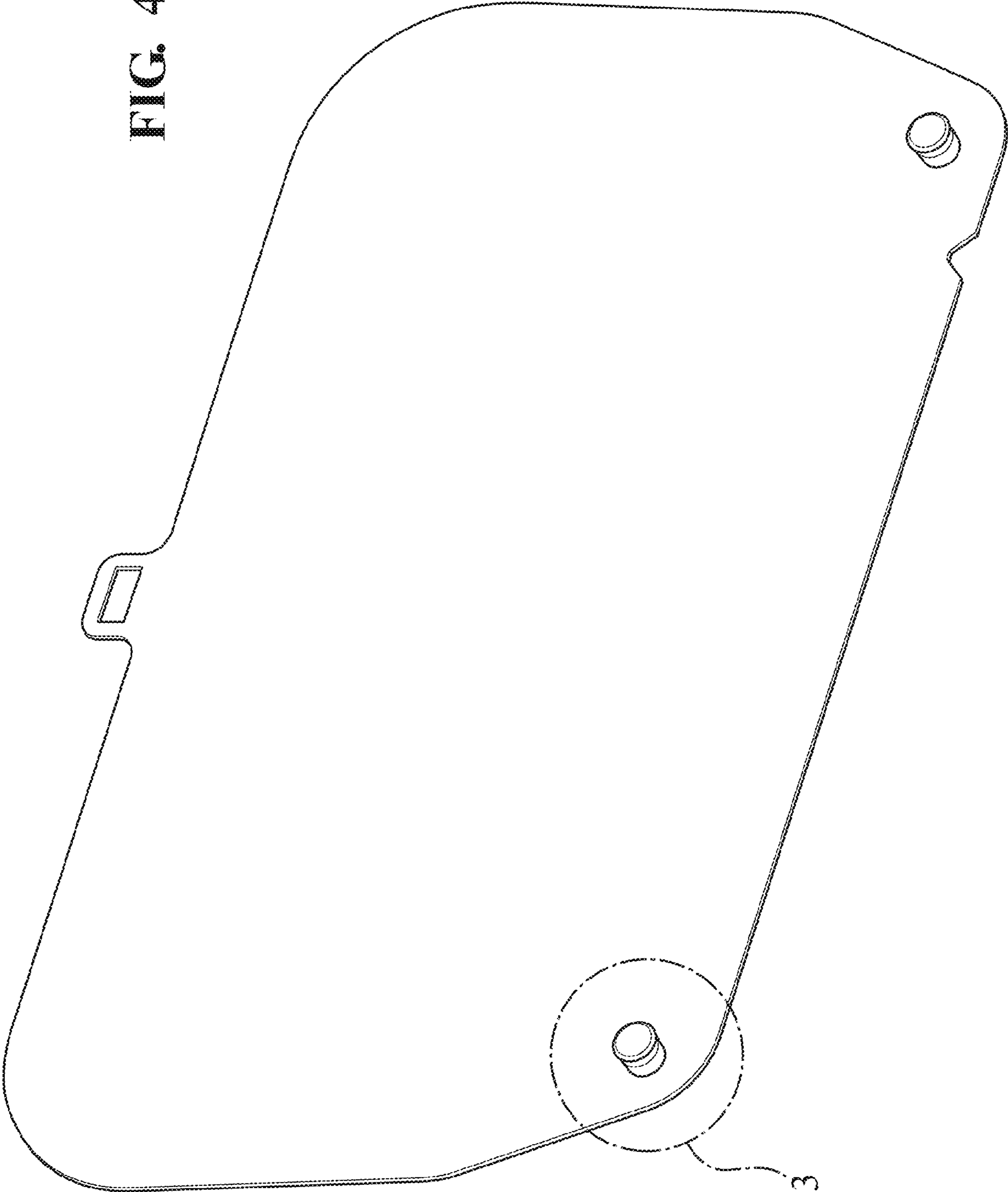


FIG. 3

FIG. 4



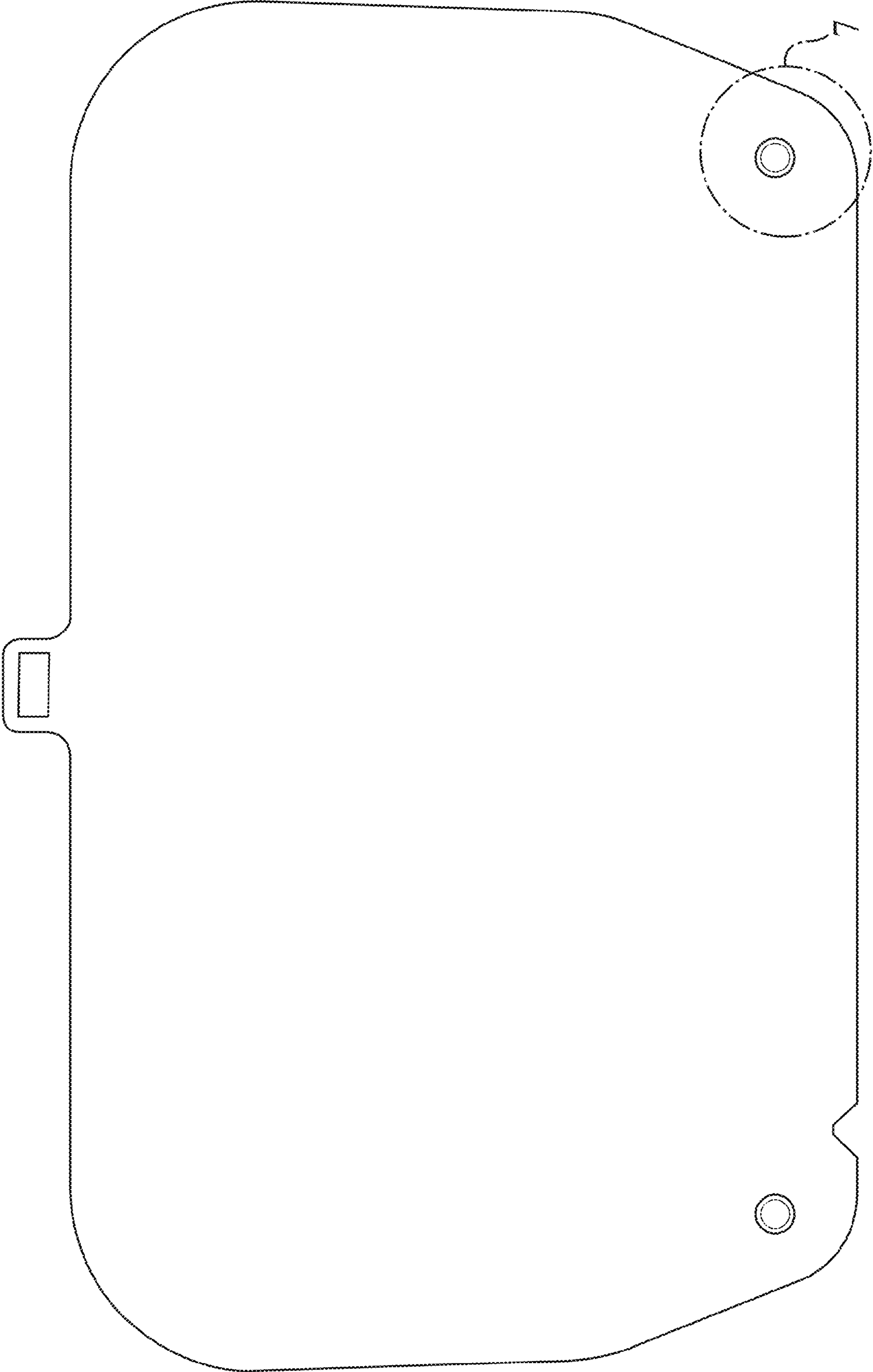


FIG. 5

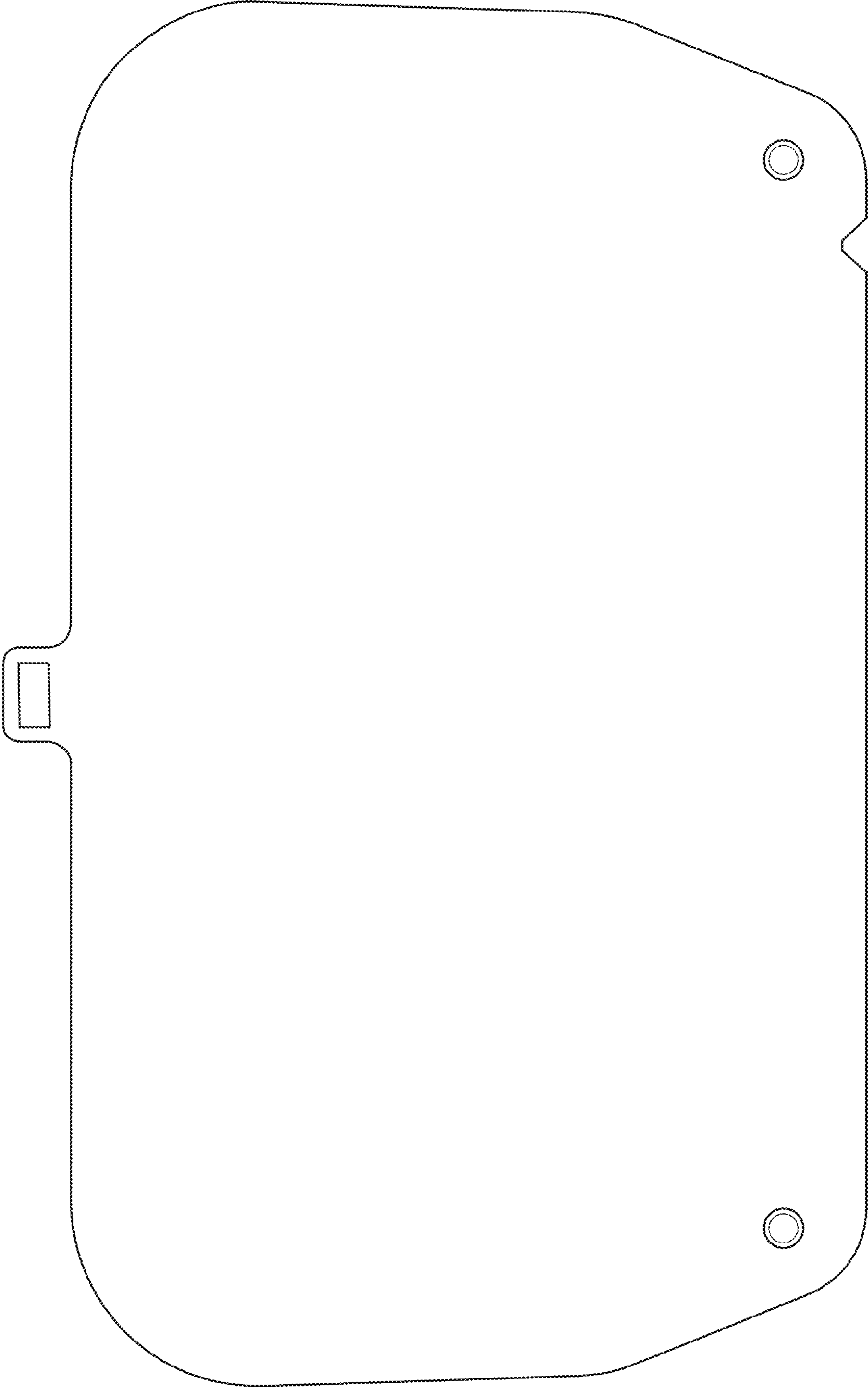


FIG. 6

FIG. 7

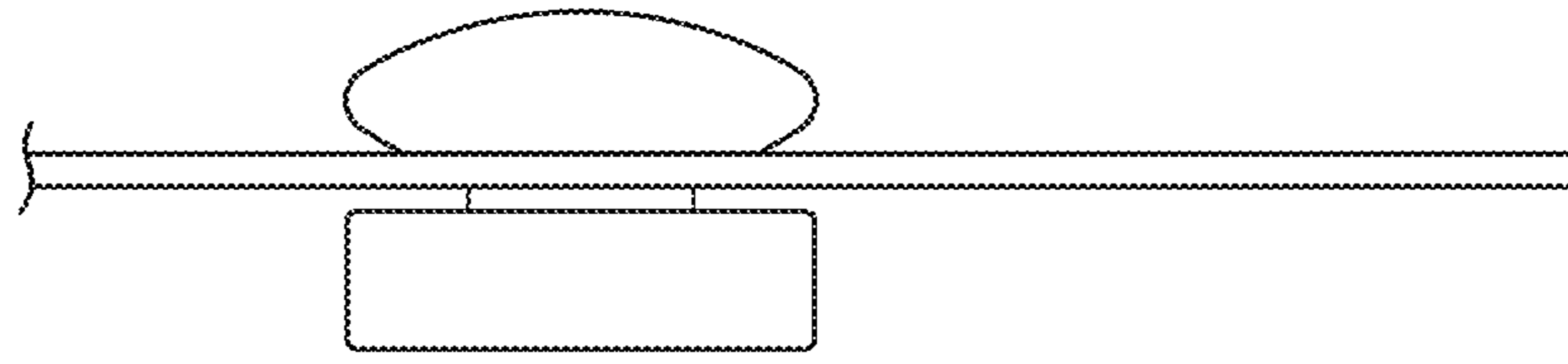
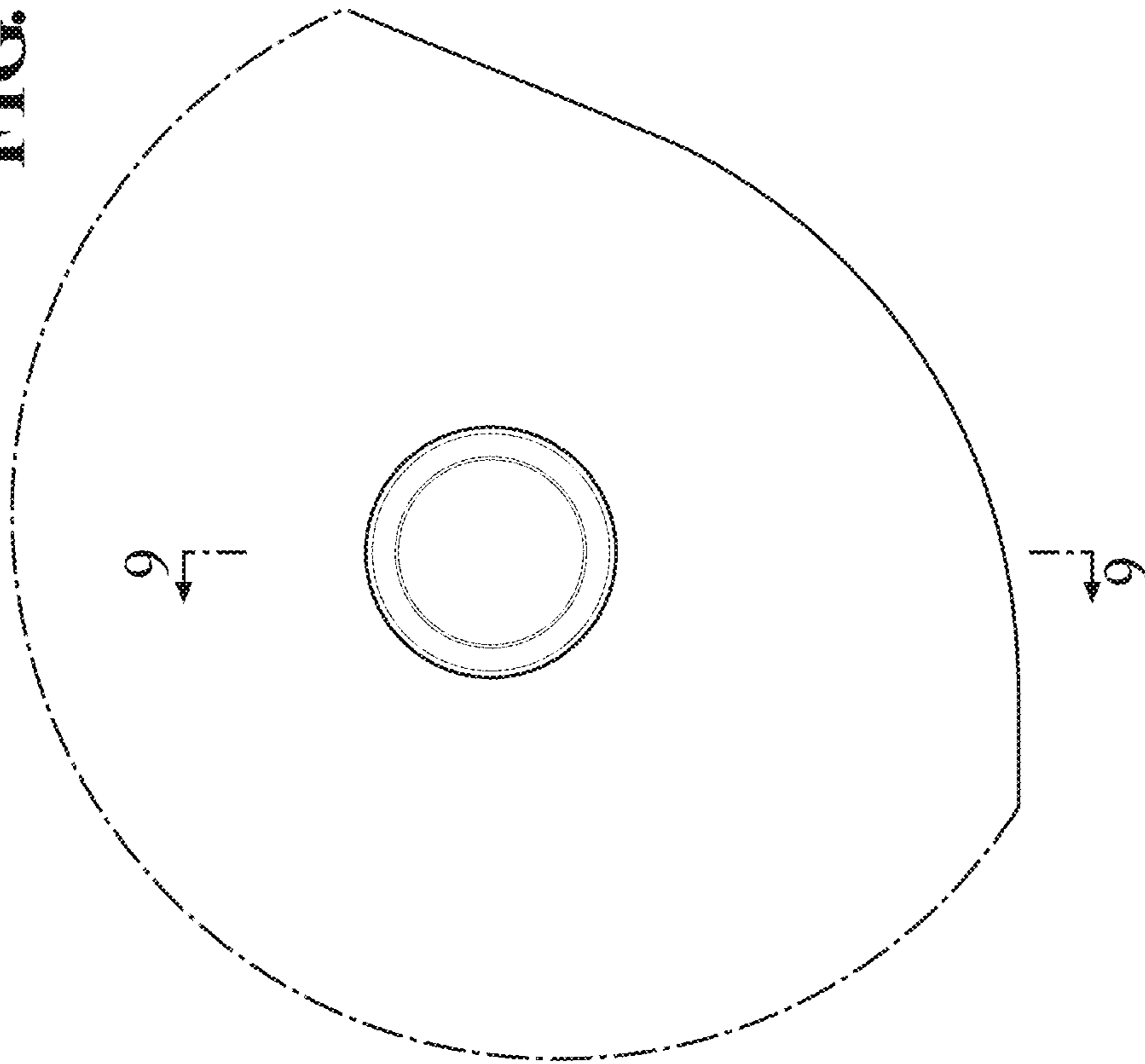


FIG. 8

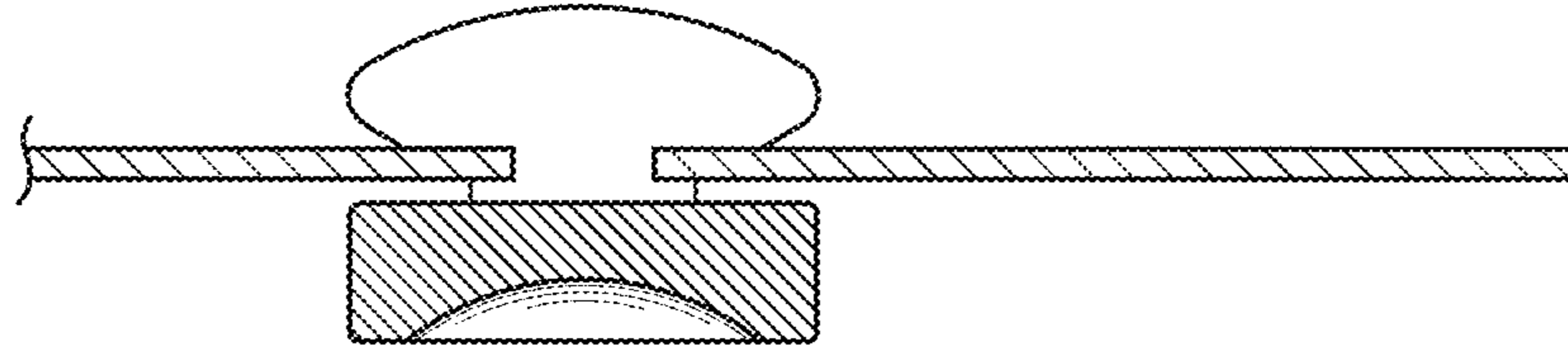


FIG. 9

FIG. 10

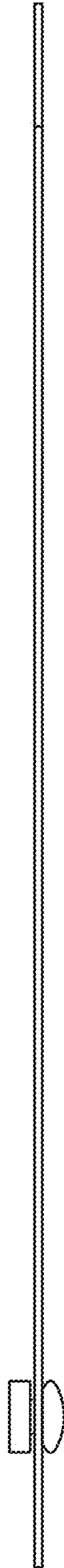


FIG. 11

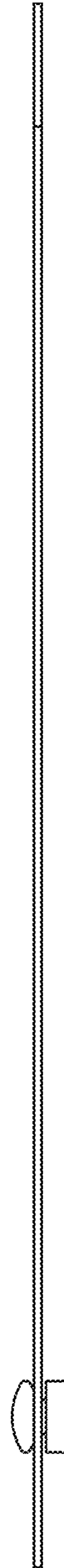


FIG. 12

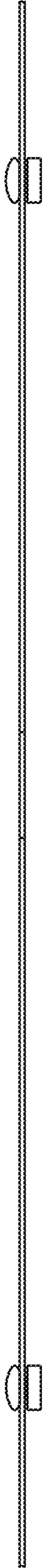


FIG. 13

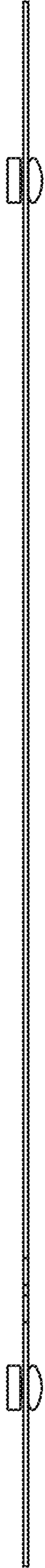


FIG. 14

