

US00D936908S

(12) **United States Design Patent** (10) **Patent No.:** **US D936,908 S**
Smith et al. (45) **Date of Patent:** **** Nov. 23, 2021**

(54) **CHIN GUARD FOR A FACE SHIELD**

(71) Applicant: **Lincoln Global, Inc.**, Santa Fe Springs, CA (US)
(72) Inventors: **Richard D. Smith**, Hudson, OH (US); **Chase P. Rutti**, Cleveland, OH (US); **Joseph R. Brusky**, Willowick, OH (US); **Paul H. Rumpke**, Cleveland, OH (US)
(73) Assignee: **LINCOLN GLOBAL, INC.**, Santa Fe Springs, CA (US)

(**) Term: **15 Years**

(21) Appl. No.: **29/737,408**

(22) Filed: **Jun. 9, 2020**

(51) **LOC (13) Cl.** **02-99**

(52) **U.S. Cl.**
USPC **D29/122**

(58) **Field of Classification Search**
USPC D29/107, 108, 110, 122; D24/110, D24/110.1, 110.2
CPC A41D 13/11; A41D 13/1107; A41D 13/1161; A41D 13/1184; A41D 13/1218; A62B 18/02; A42B 3/26; A42B 3/04; A42B 3/22; A42B 3/28; A61F 9/02; A61F 9/027

See application file for complete search history.

(56) **References Cited**

U.S. PATENT DOCUMENTS

D276,380 S * 11/1984 Hellberg D16/334
4,748,695 A * 6/1988 Shigematsu A61F 9/025
2/424
D320,870 S * 10/1991 Asbury D29/108
D416,649 S * 11/1999 Burns D29/110
D503,497 S 3/2005 Canavan et al.
D503,498 S 3/2005 Canavan et al.
D504,195 S 4/2005 Canavan et al.
D511,227 S 11/2005 Canavan et al.
D511,865 S 11/2005 Canavan et al.

(Continued)

OTHER PUBLICATIONS

Sellstorm; "Face Protection;" <https://www.sellstrom.com/face-protection-c-60.html?osCsid=vjc8p4bgqqolobua2us95k8655>; Accessed on Mar. 6, 2020; p. 1.

(Continued)

Primary Examiner — Kimberly Barnes
(74) *Attorney, Agent, or Firm* — Brad C. Spencer

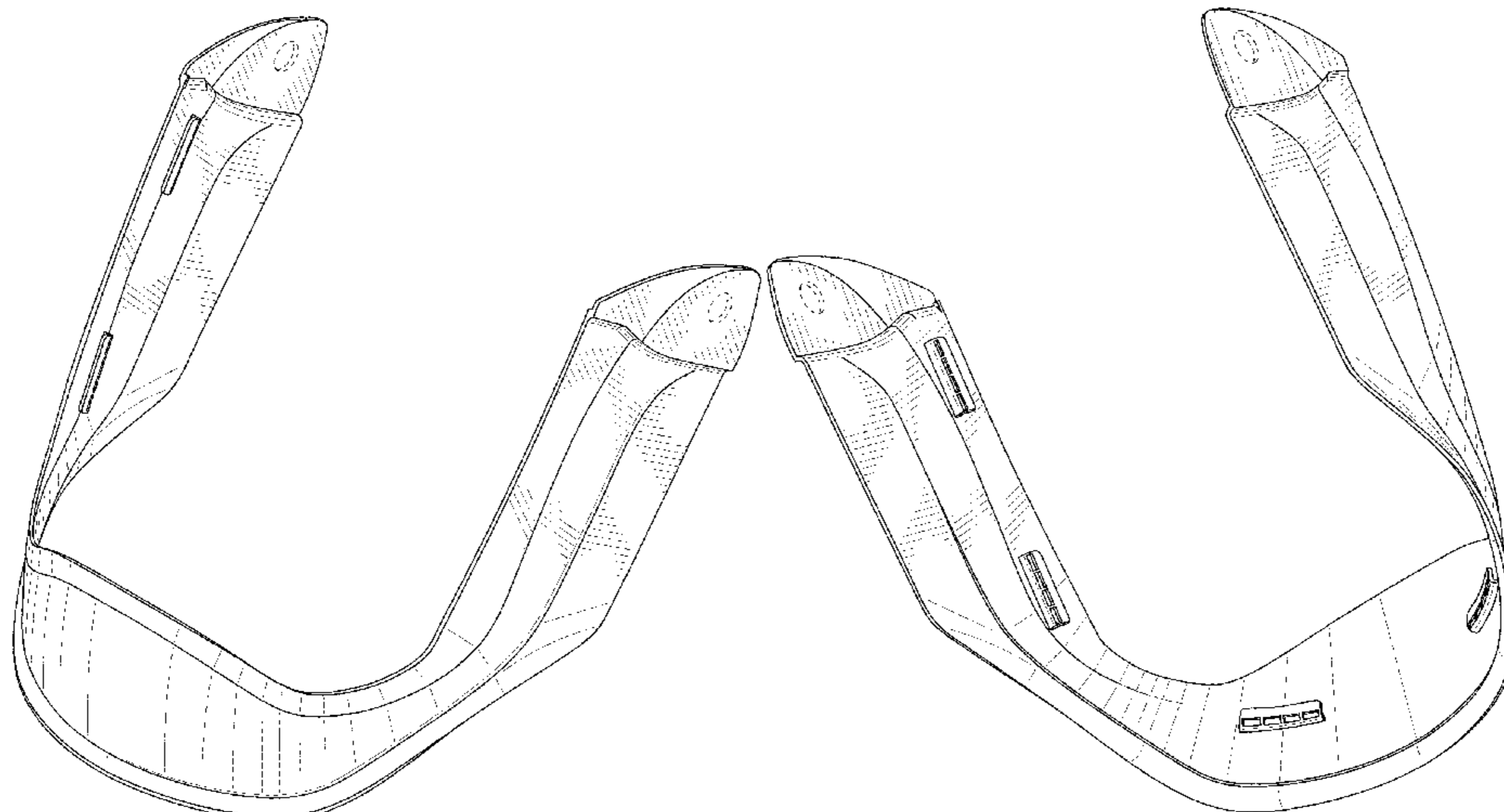
(57) **CLAIM**

The ornamental design for a chin guard for a face shield, as shown and described.

DESCRIPTION

FIG. 1 is a front perspective view of a chin guard for a face shield showing our new design; FIG. 2 is a rear perspective view thereof; FIG. 3 is a front elevational view thereof; FIG. 4 is a rear elevational view thereof; FIG. 5 is a left side elevational view thereof; FIG. 6 is a right side elevational view thereof; FIG. 7 is a top plan view thereof; and FIG. 8 is a bottom plan view thereof; FIG. 9 is a front perspective view of a chin guard for a face shield showing the chin guard attached to a face shield, to illustrate a typical environment in which the chin guard would be used; FIG. 10 is a rear perspective view thereof; FIG. 11 is a front elevational view thereof; FIG. 12 is a rear elevational view thereof; FIG. 13 is a left side elevational view thereof; FIG. 14 is a right side elevational view thereof; FIG. 15 is a top plan view thereof; and, FIG. 16 is a bottom plan view thereof. In the drawings, the broken lines illustrate environmental features that form no part of the claimed design.

1 Claim, 14 Drawing Sheets



(56)

References Cited

U.S. PATENT DOCUMENTS

D512,187	S	11/2005	Canavan et al.	
7,007,306	B2	3/2006	Howard et al.	
7,120,939	B1	10/2006	Howard et al.	
D584,010	S *	12/2008	Fernandes	D29/122
D587,858	S *	3/2009	Brace	D29/122
D597,260	S *	7/2009	Brace	D29/122
D612,544	S *	3/2010	Brace	D29/122
D657,918	S *	4/2012	Lee	D29/110
8,225,421	B1	7/2012	Froissard	
D681,282	S *	4/2013	Dente	D29/108
8,534,279	B2 *	9/2013	Brace	A62B 18/045 128/201.24
D712,598	S *	9/2014	Mehra	D29/110
8,950,017	B2 *	2/2015	Czajka	A41D 13/1153 2/456
D774,702	S *	12/2016	Brose	D29/110
D778,507	S *	2/2017	Reaux	D29/122
D857,999	S *	8/2019	Hanner	D29/107
D888,228	S *	6/2020	Hare	D24/110.3
D895,213	S *	9/2020	Sanders	D29/110
D895,214	S *	9/2020	Sanders	D29/110
D899,698	S *	10/2020	Wu	D29/107
2017/0079364	A1 *	3/2017	Paulson	A42B 3/225
2017/0112224	A1	4/2017	Gotti	
2018/0368505	A1 *	12/2018	Kidman	A42B 3/044

OTHER PUBLICATIONS

Honeywell; "Uvex Bionic;" <https://safety.honeywell.com/en-us/products/by-category/head-eye-face-protection/face-shields/uvex-bionic>; Accessed on Mar. 6, 2020; pp. 1-2.

* cited by examiner

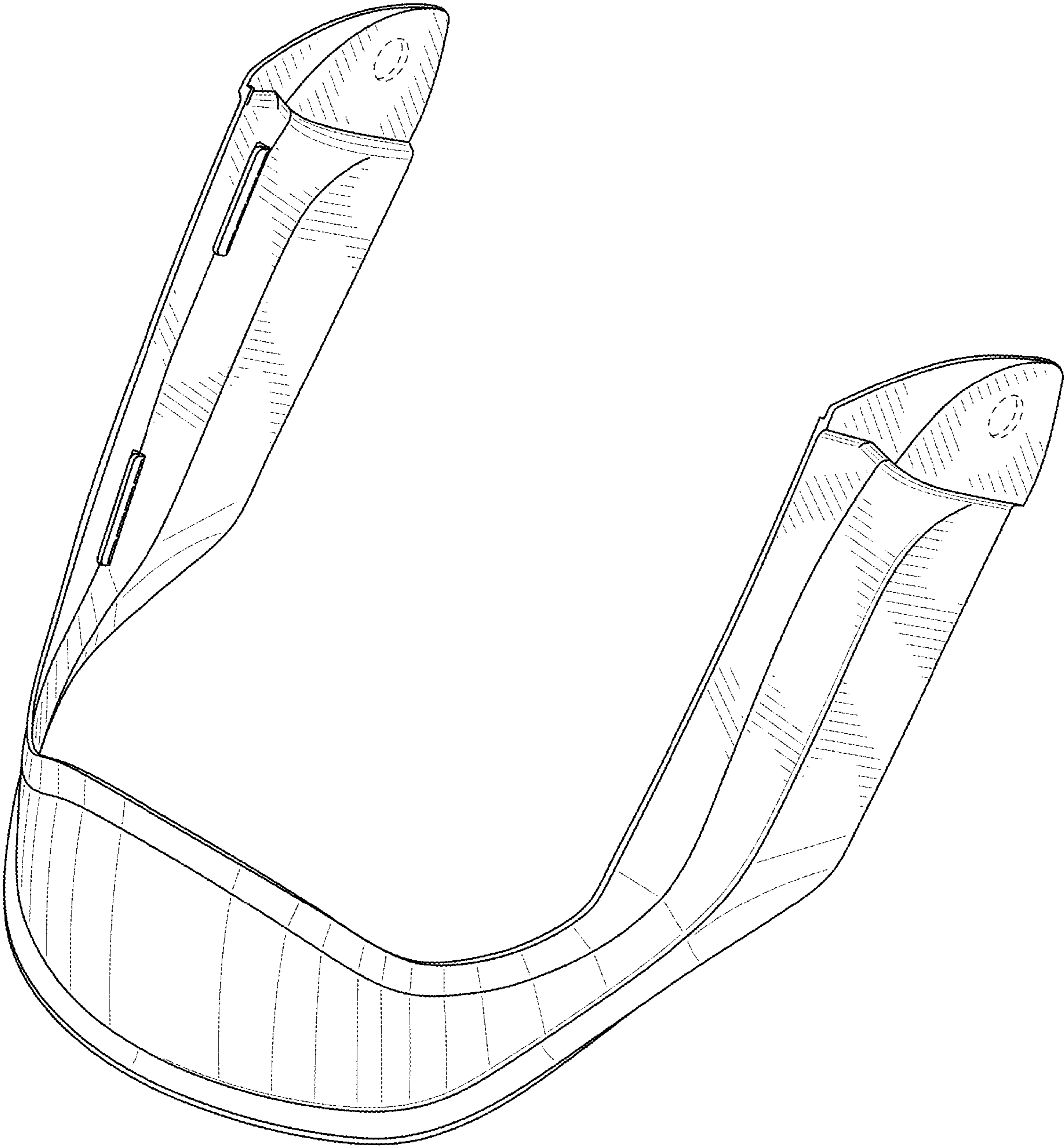


FIG. 1

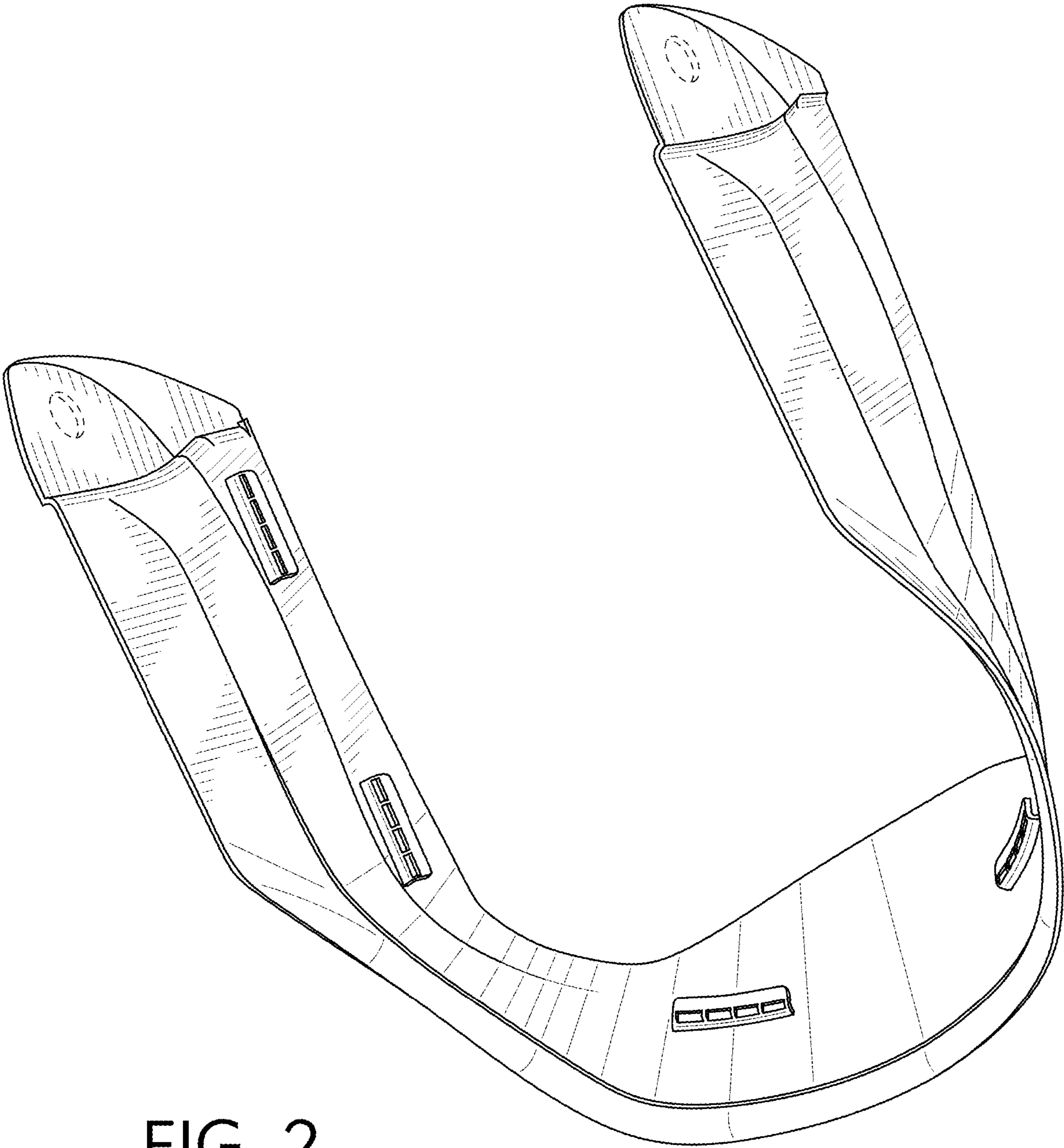


FIG. 2

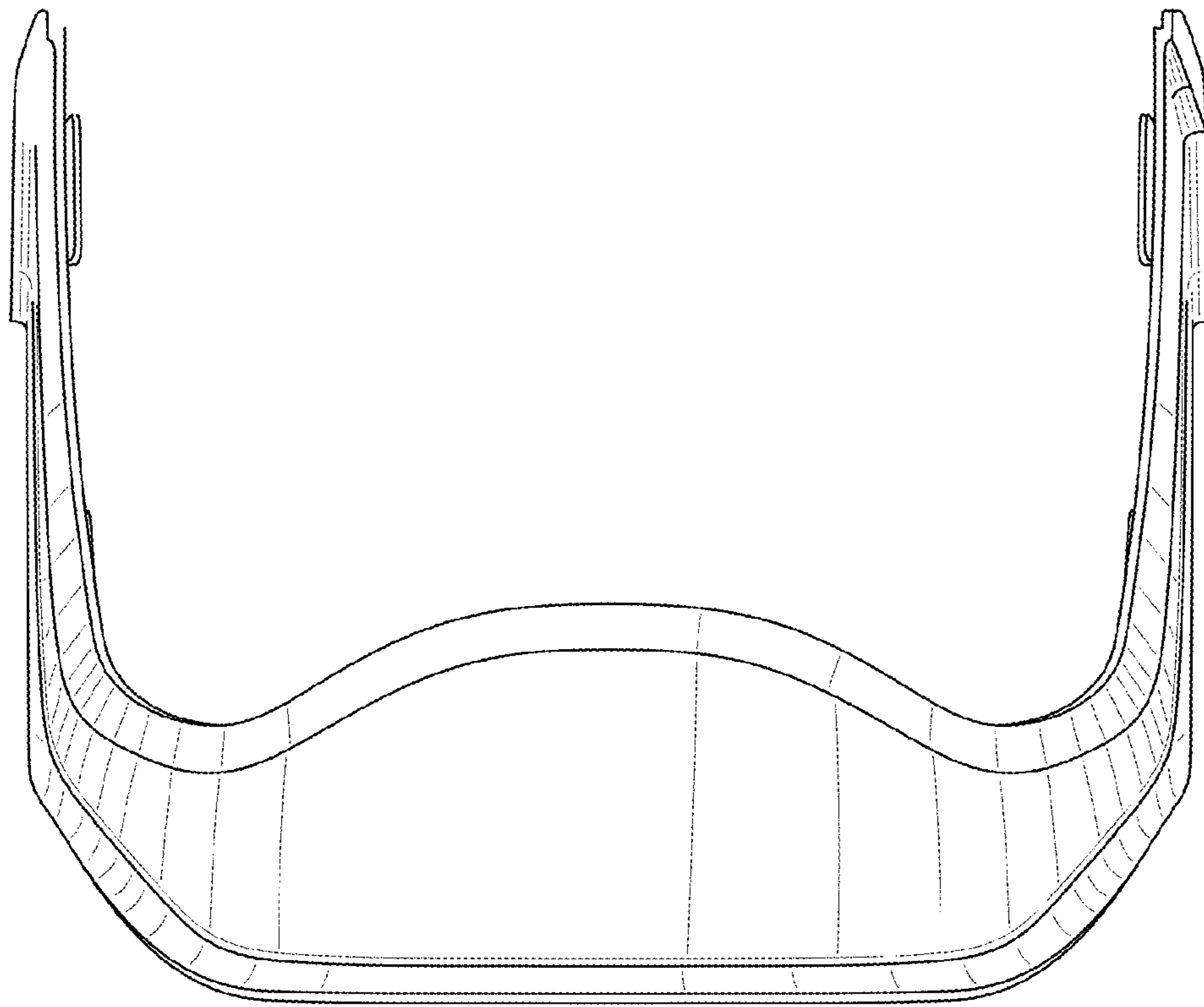


FIG. 3

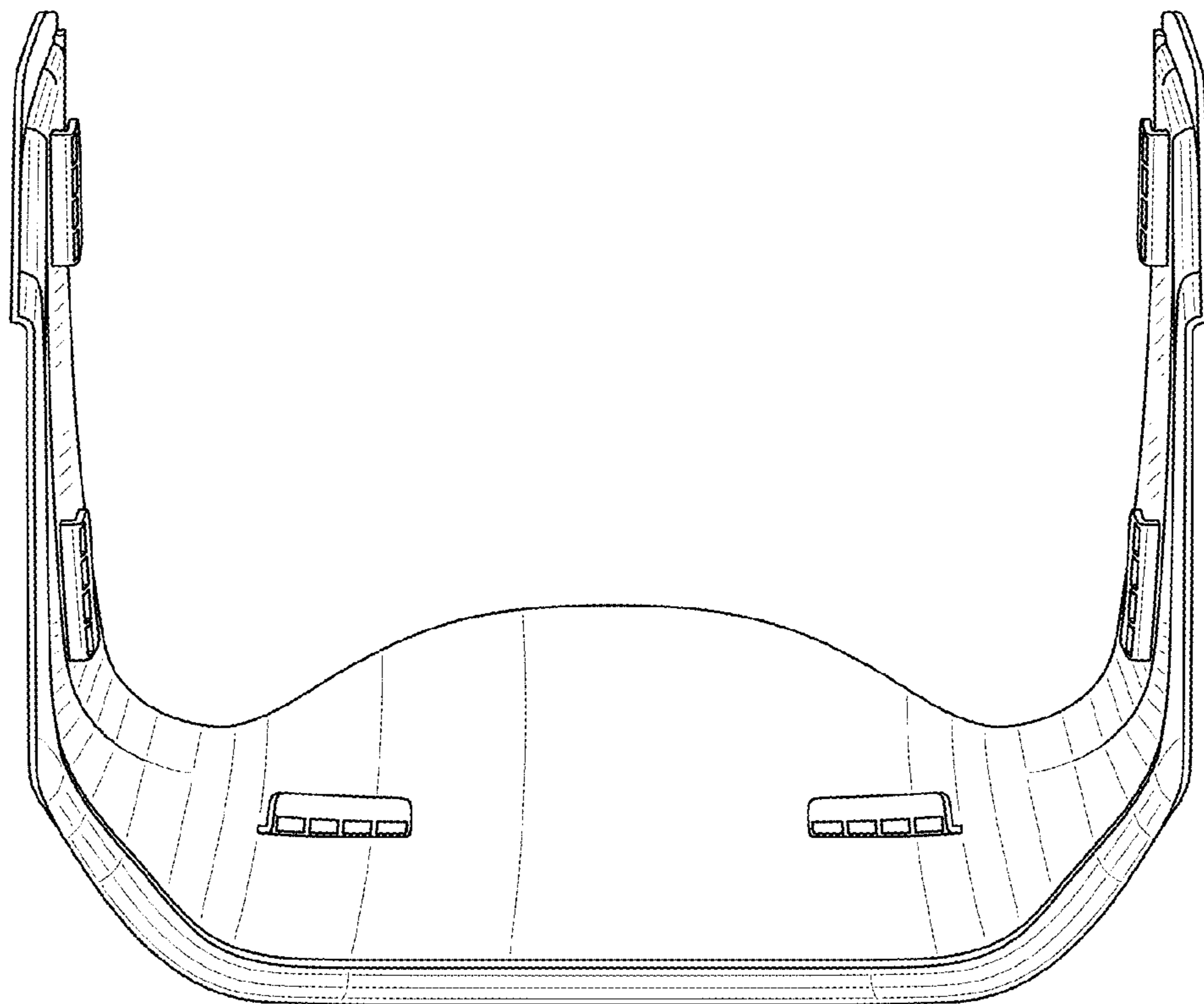


FIG. 4

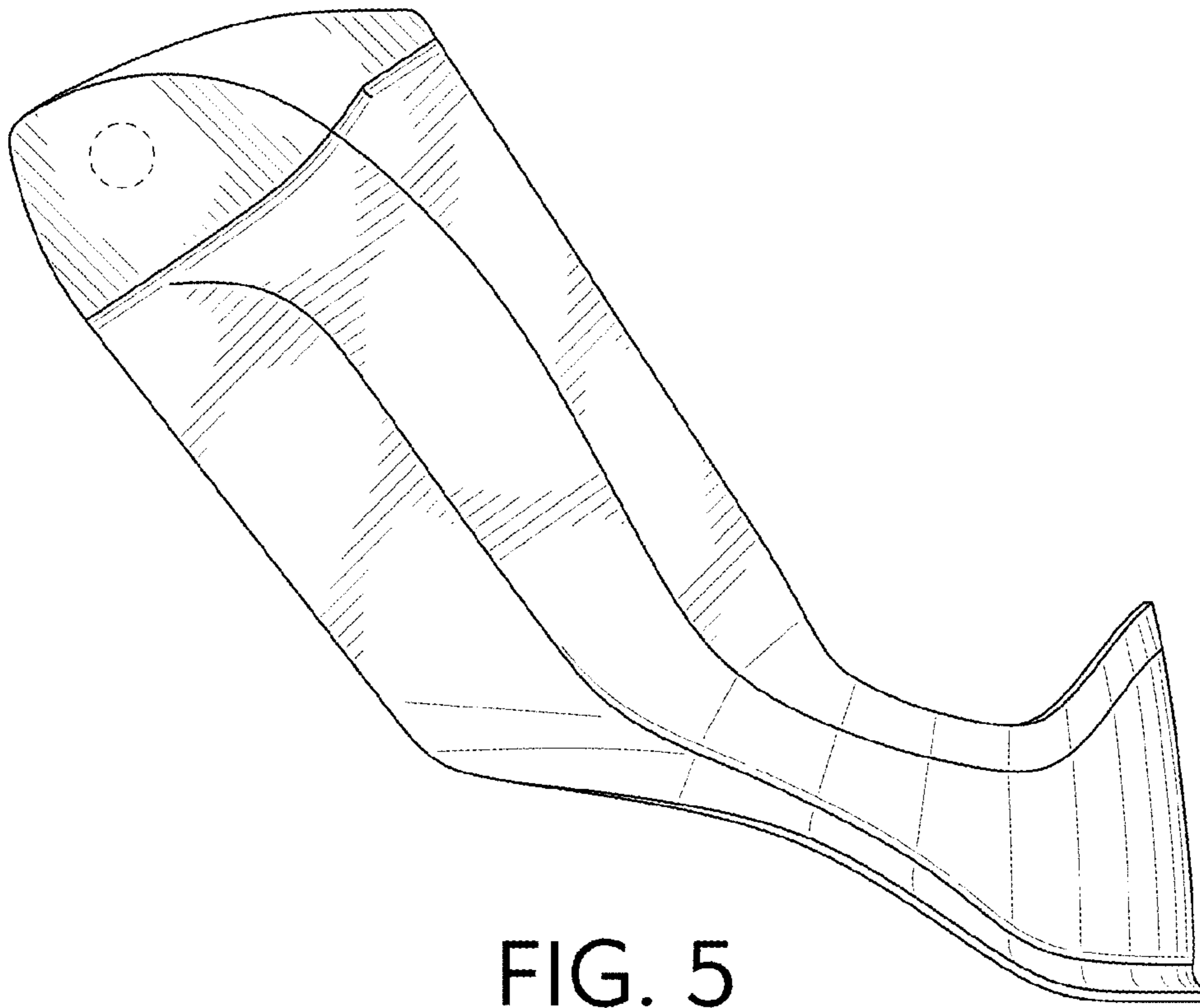


FIG. 5

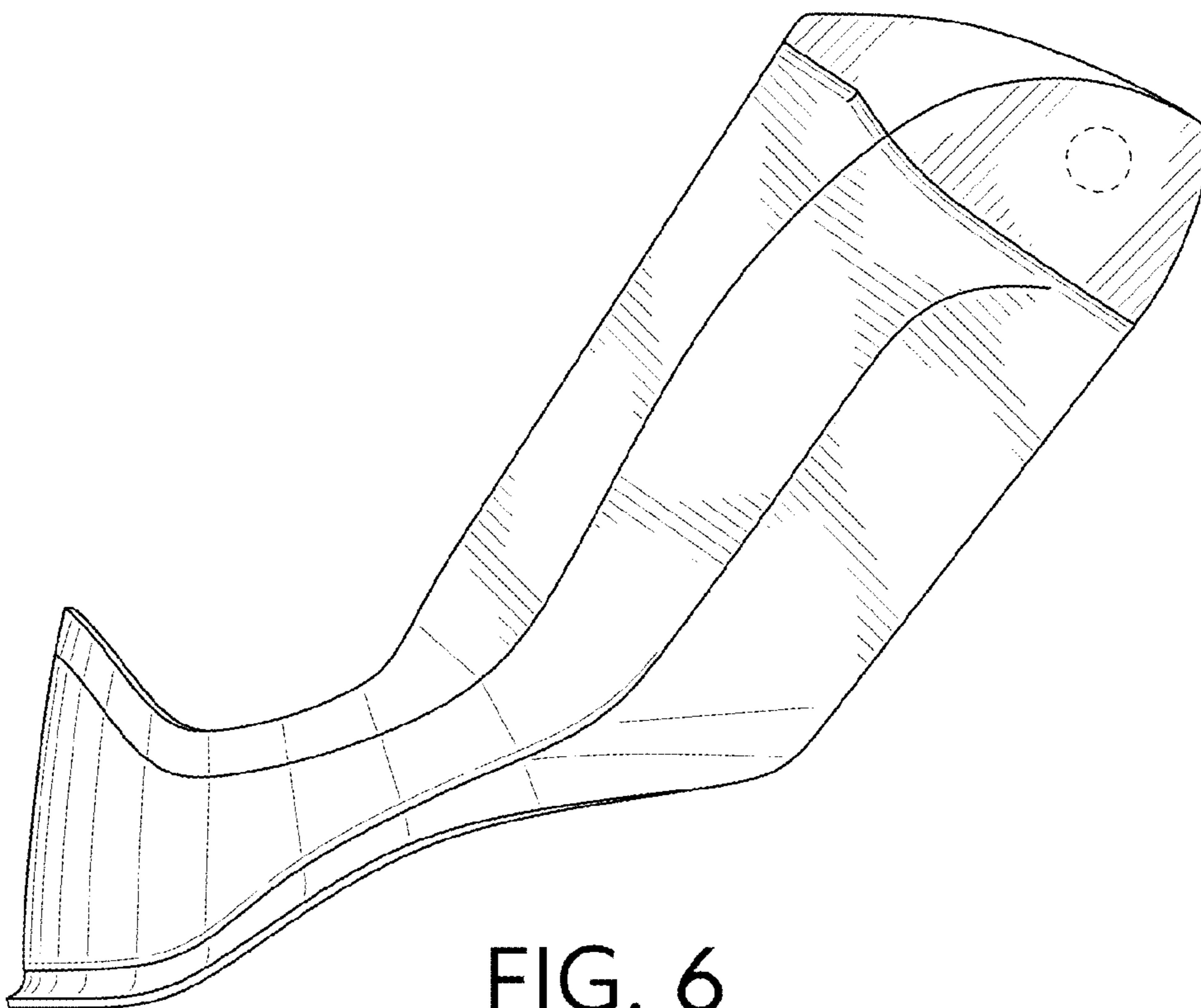


FIG. 6

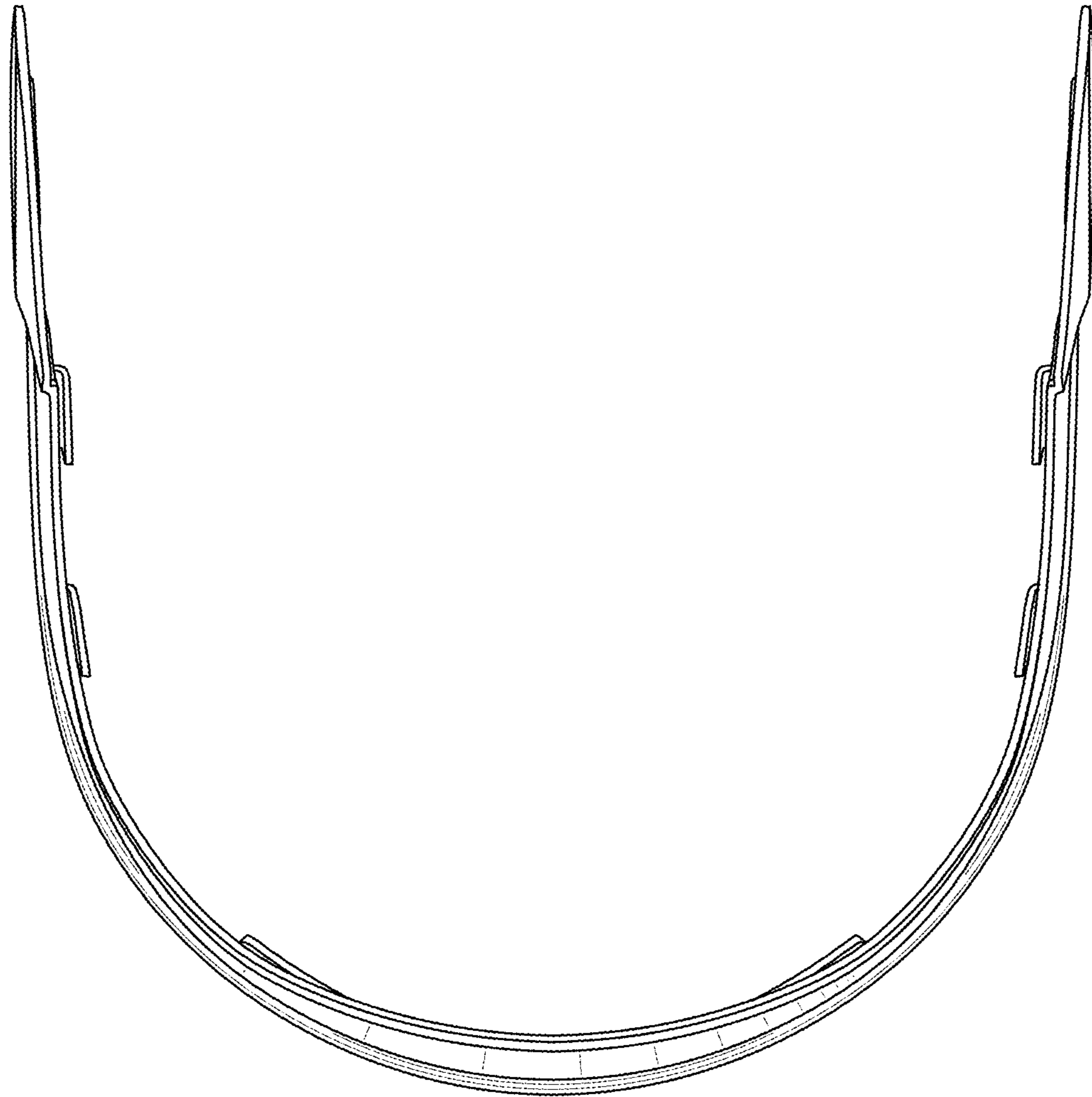


FIG. 7

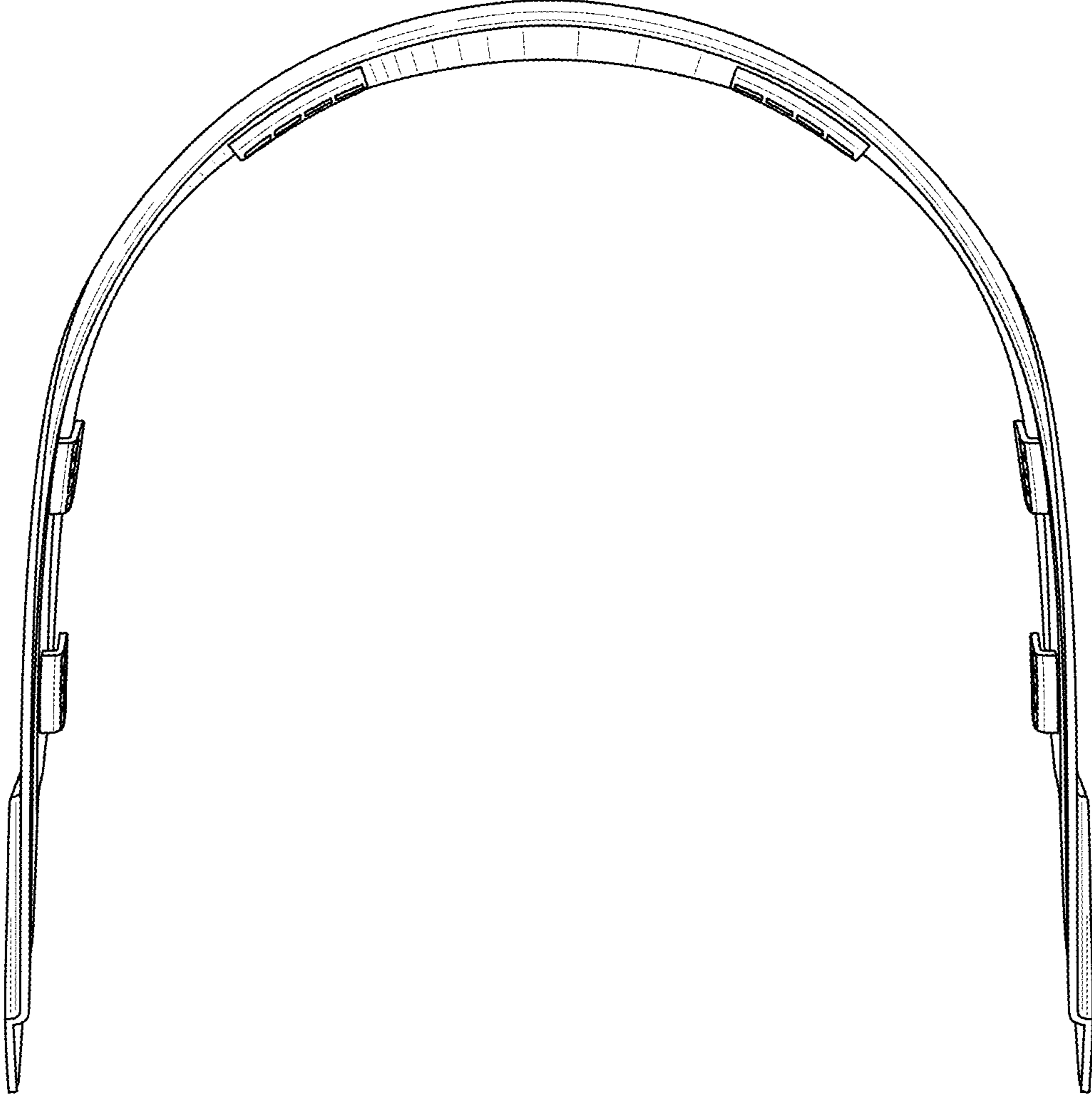
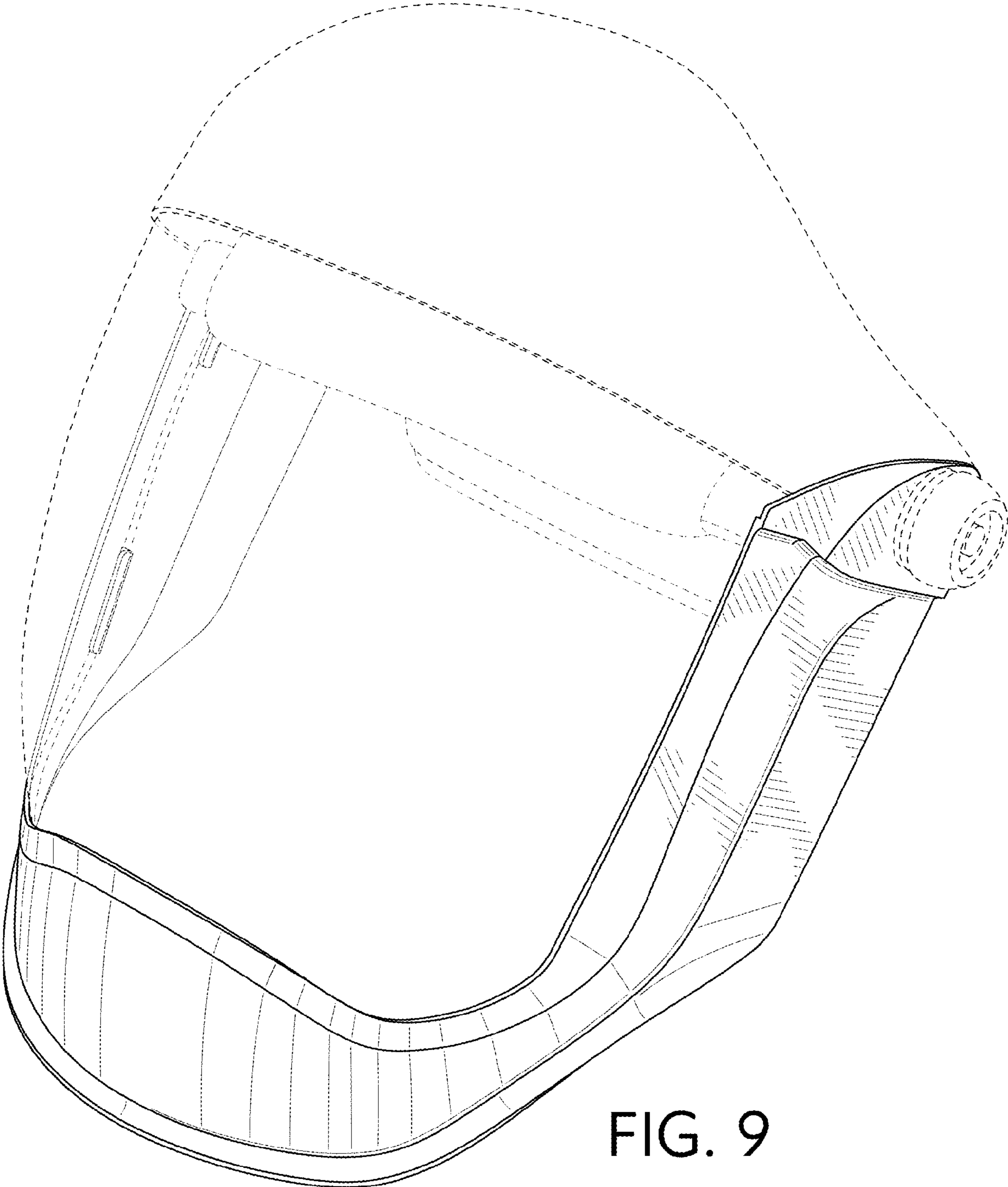


FIG. 8



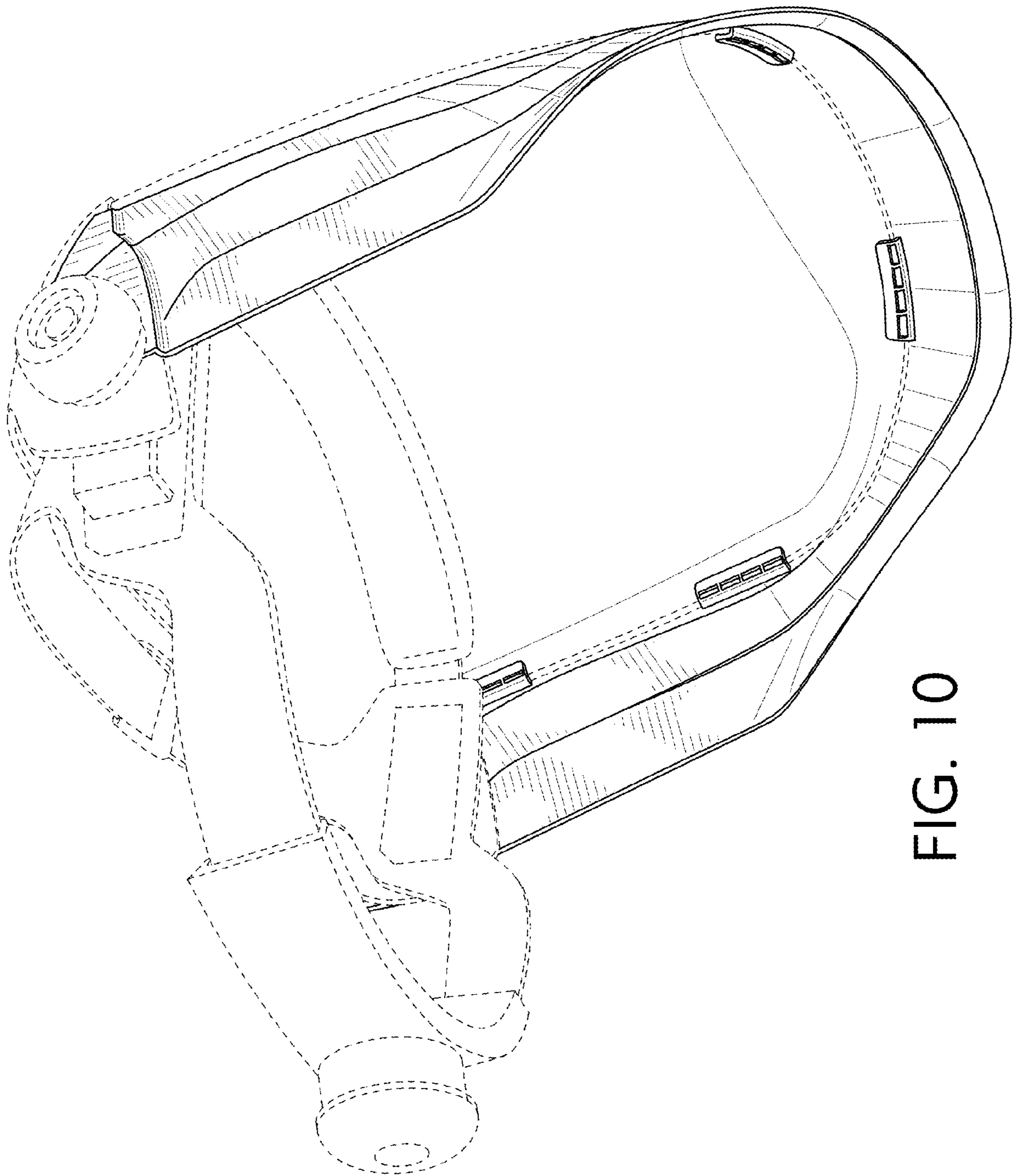


FIG. 10

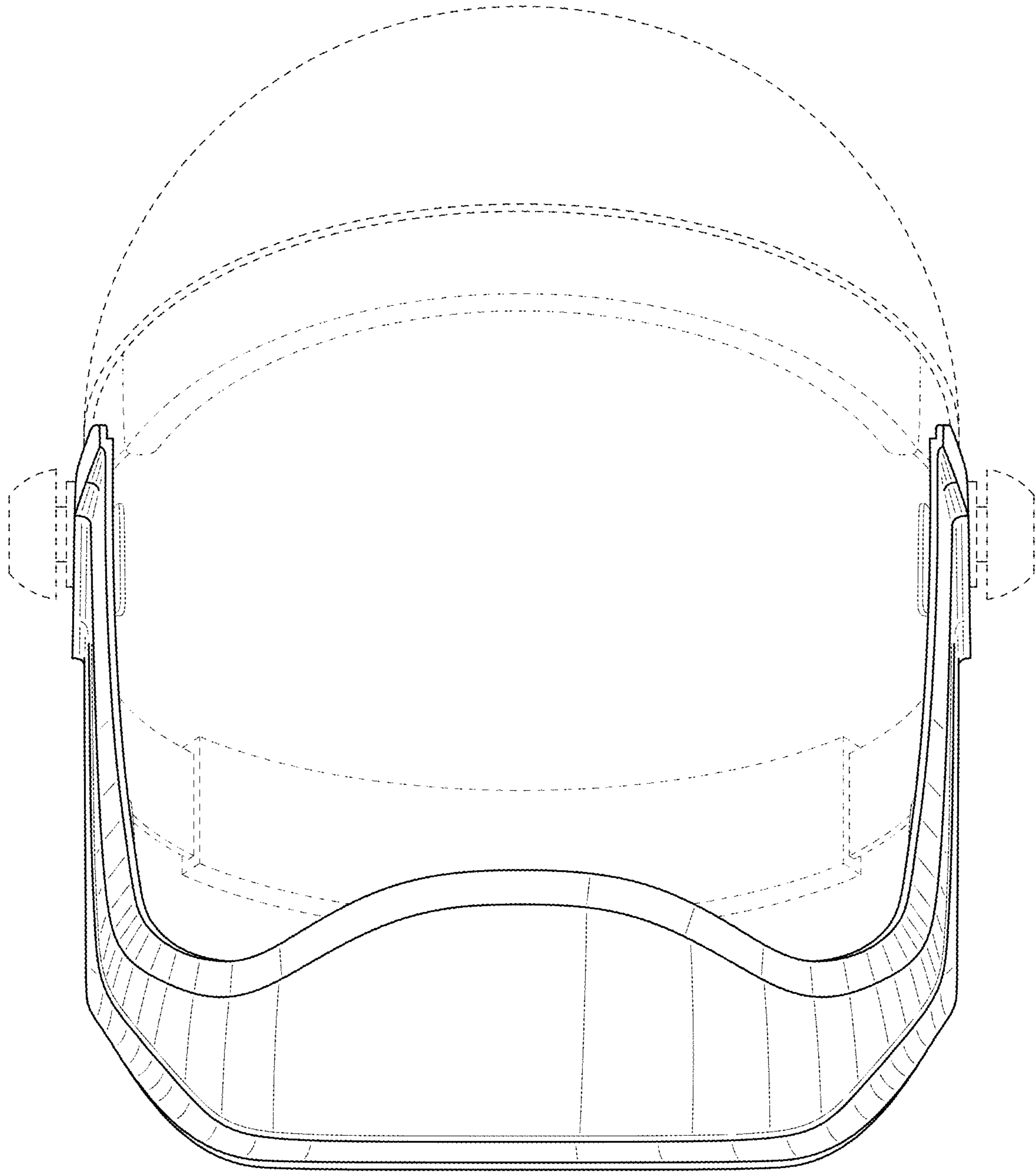


FIG. 11

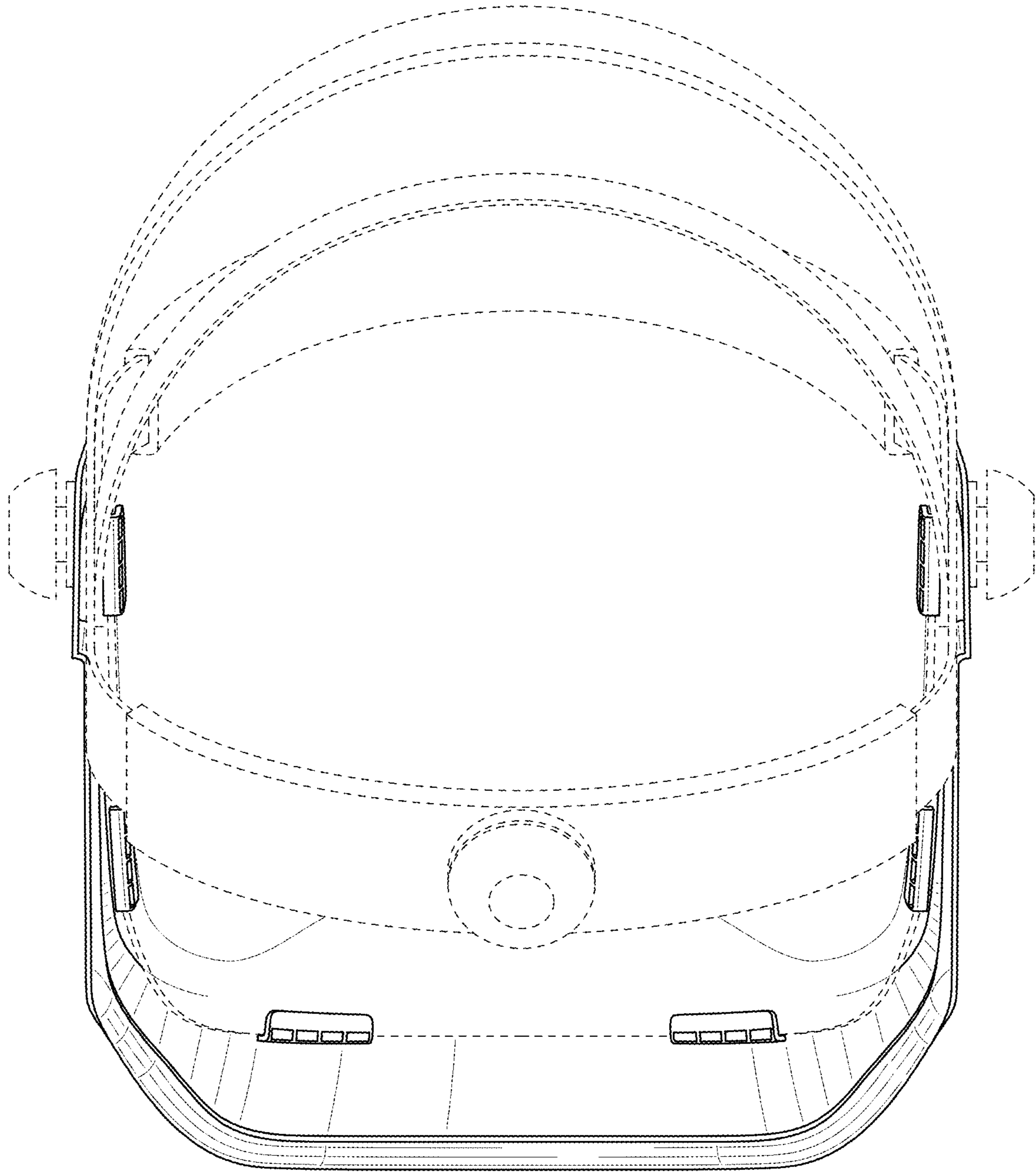


FIG. 12

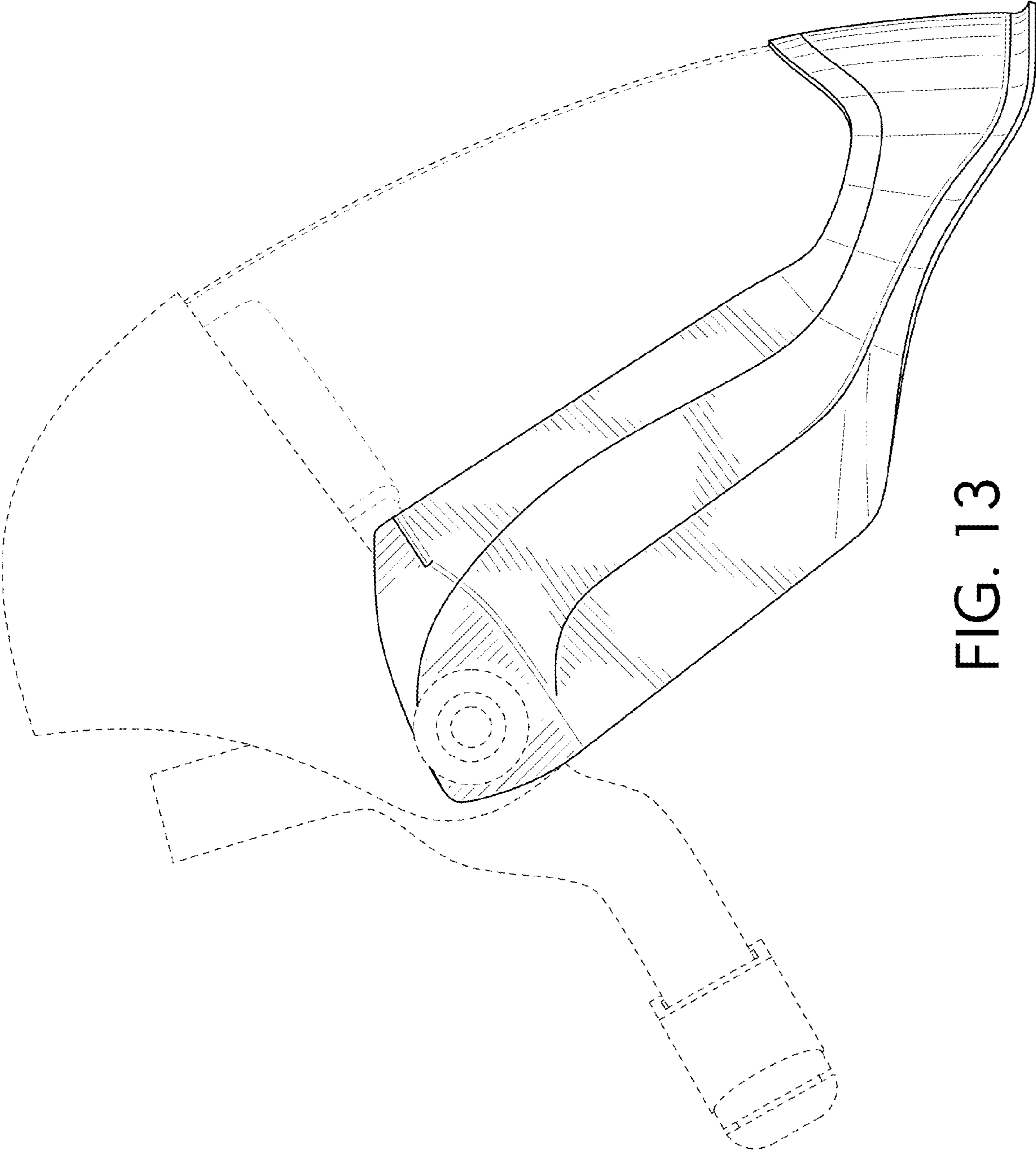


FIG. 13

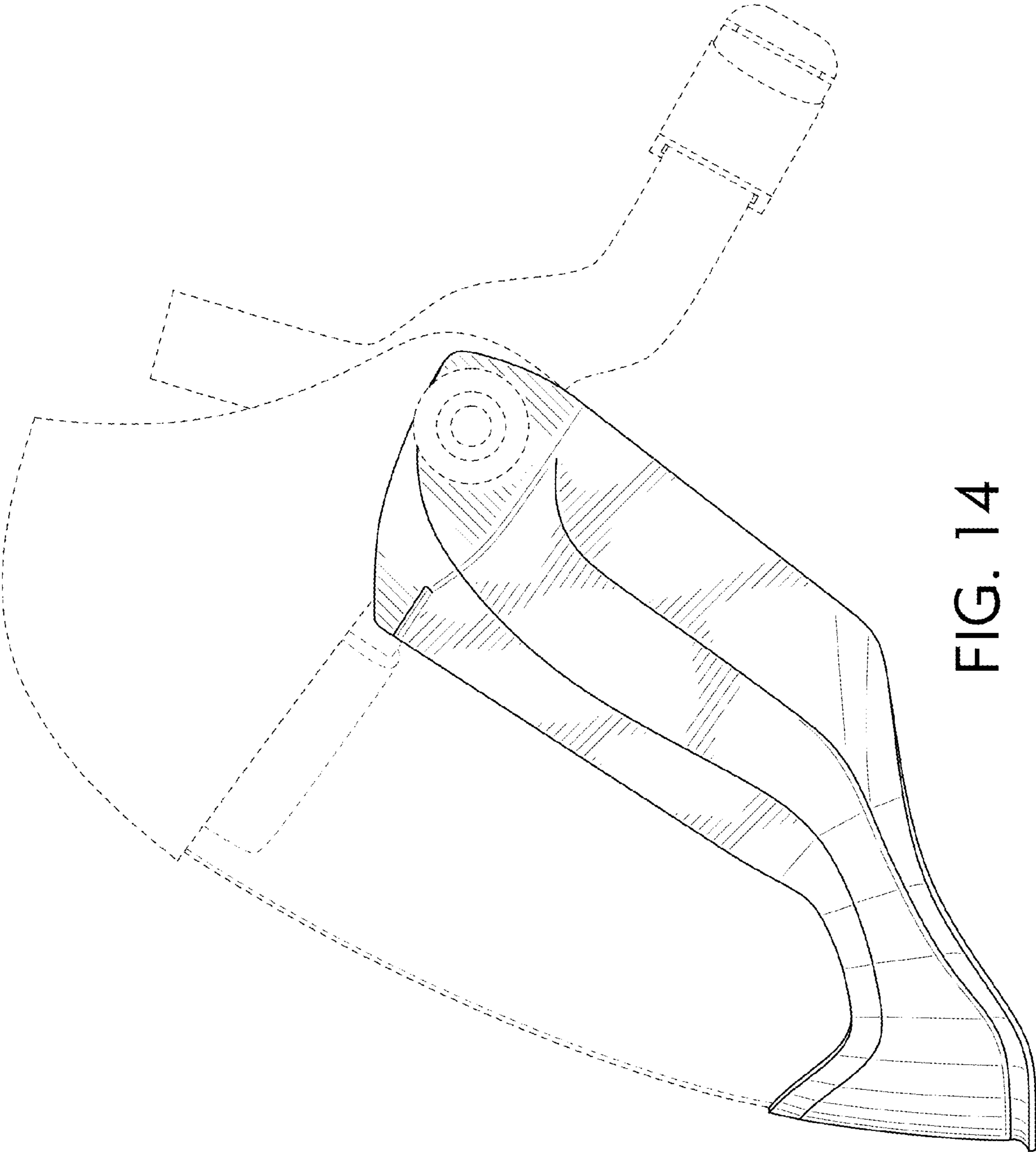


FIG. 14

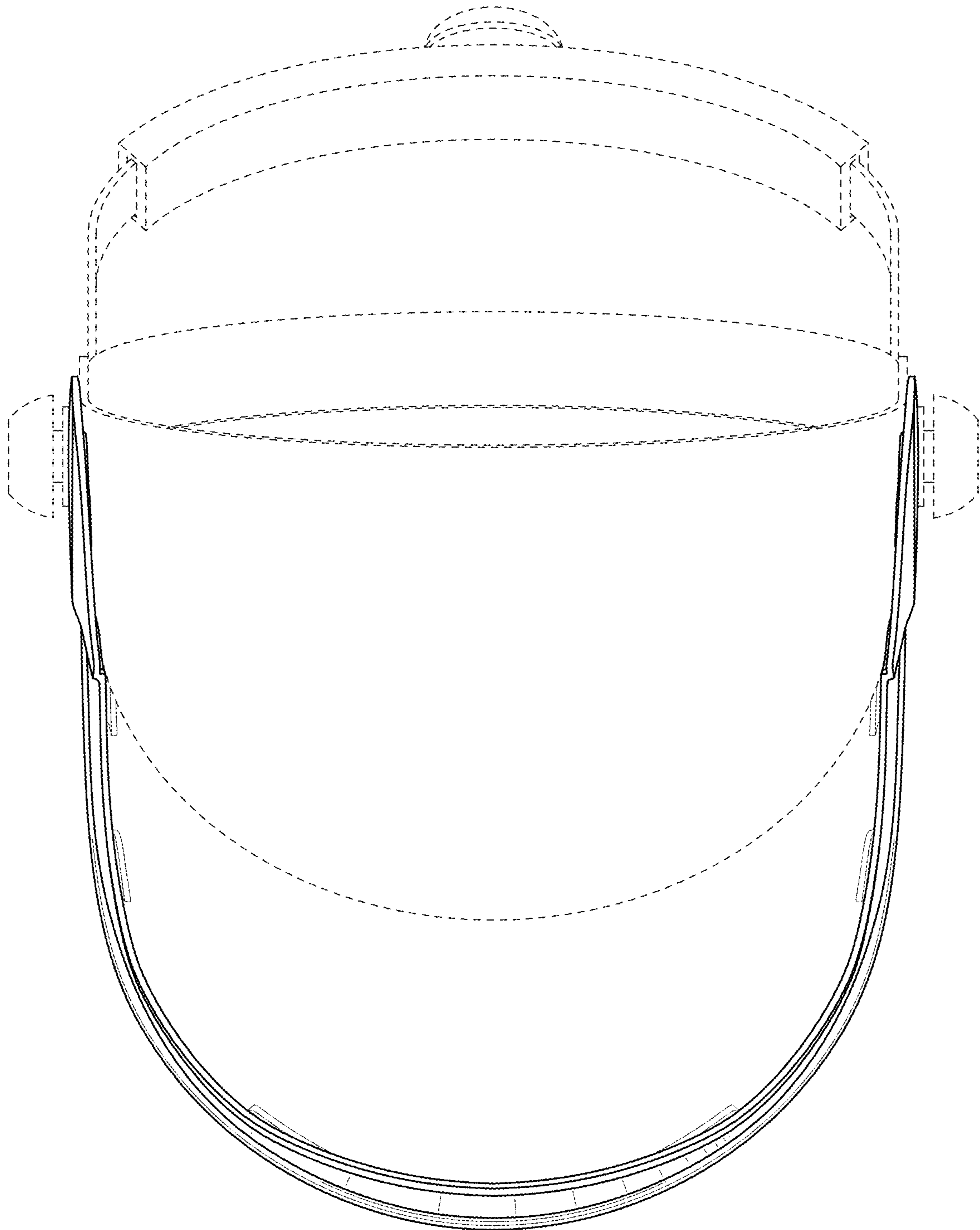


FIG. 15

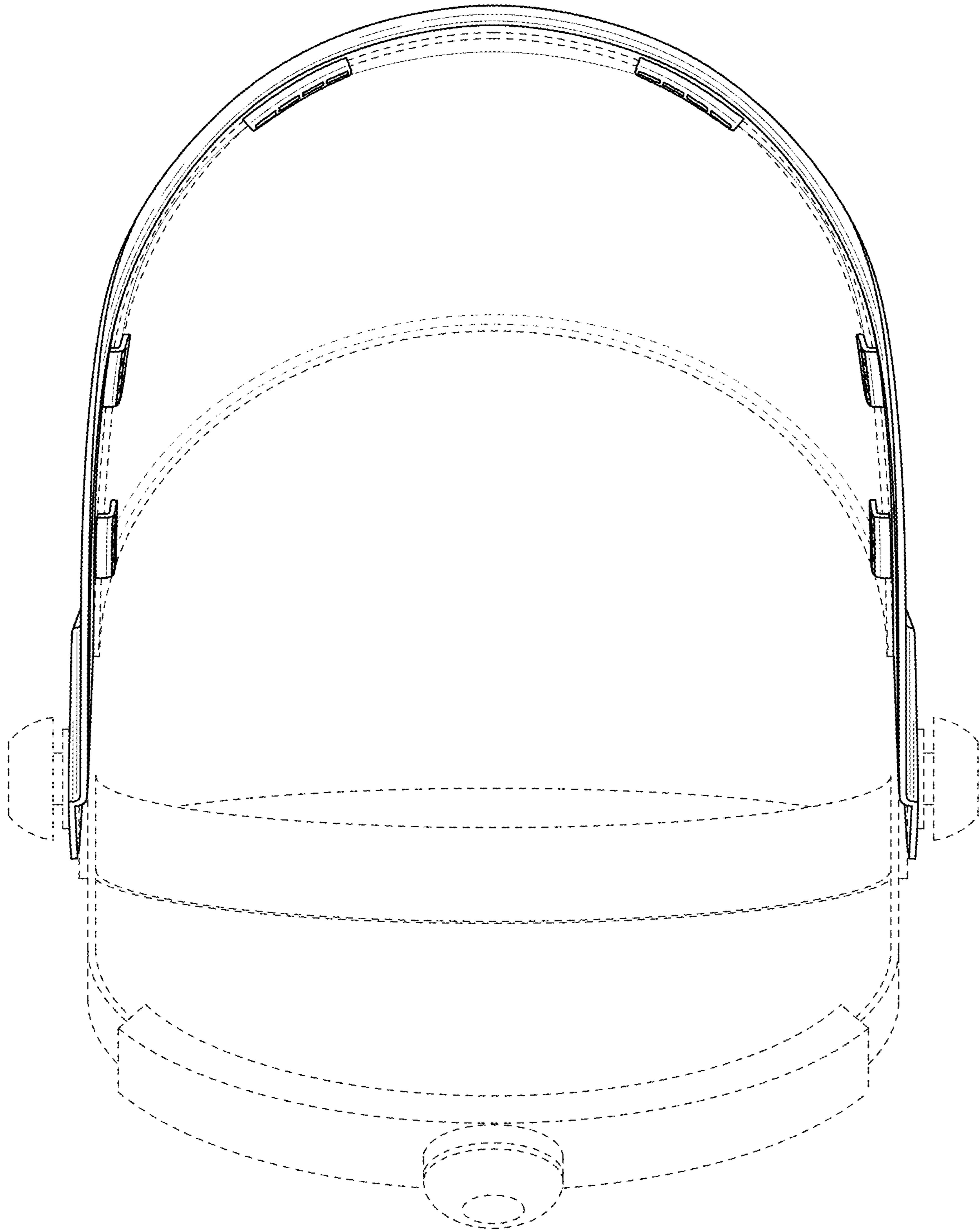


FIG. 16