

US00D936905S

(12) **United States Design Patent** (10) **Patent No.:** **US D936,905 S**
Jefferis et al. (45) **Date of Patent:** **** Nov. 23, 2021**

(54) **SURGICAL HOOD**

(71) Applicant: **Stryker Corporation**, Kalamazoo, MI (US)

(72) Inventors: **Ryan Jefferis**, Seattle, WA (US); **Beau Kidman**, Kalamazoo, MI (US); **Stephen Isham**, Mattawan, MI (US); **Mark Wasserman**, Delton, MI (US)

(73) Assignee: **Stryker Corporation**, Kalamazoo, MI (US)

(**) Term: **15 Years**

(21) Appl. No.: **29/700,210**

(22) Filed: **Jul. 31, 2019**

(51) **LOC (13) Cl.** **29-02**

(52) **U.S. Cl.**
USPC **D29/107**

(58) **Field of Classification Search**
USPC D29/107, 108, 110, 122; D24/110, D24/110.1, 110.2
CPC A41D 13/11; A41D 13/1107; A41D 13/1153; A41D 13/1161; A41D 13/1184; A41D 13/1218; A41D 13/12; A62B 17/04;

(Continued)

(56) **References Cited**

U.S. PATENT DOCUMENTS

3,058,463 A * 10/1962 Goodrich, Jr. A41D 13/1153
128/863
3,458,864 A * 8/1969 Austin A61F 9/027
2/5

(Continued)

FOREIGN PATENT DOCUMENTS

WO 2017112485 A1 6/2017

OTHER PUBLICATIONS

Totalshield Surgical Toga In-Service (on-line), dated Jan. 28, 2014. Retrieved from Internet Jul. 8, 2021, URL: <https://zimmerbiomet.tv/videos/924?a=surgeon> (1 page) (Year: 2014).*

(Continued)

Primary Examiner — Kimberly Barnes

(74) *Attorney, Agent, or Firm* — Howard & Howard Attorneys PLLC

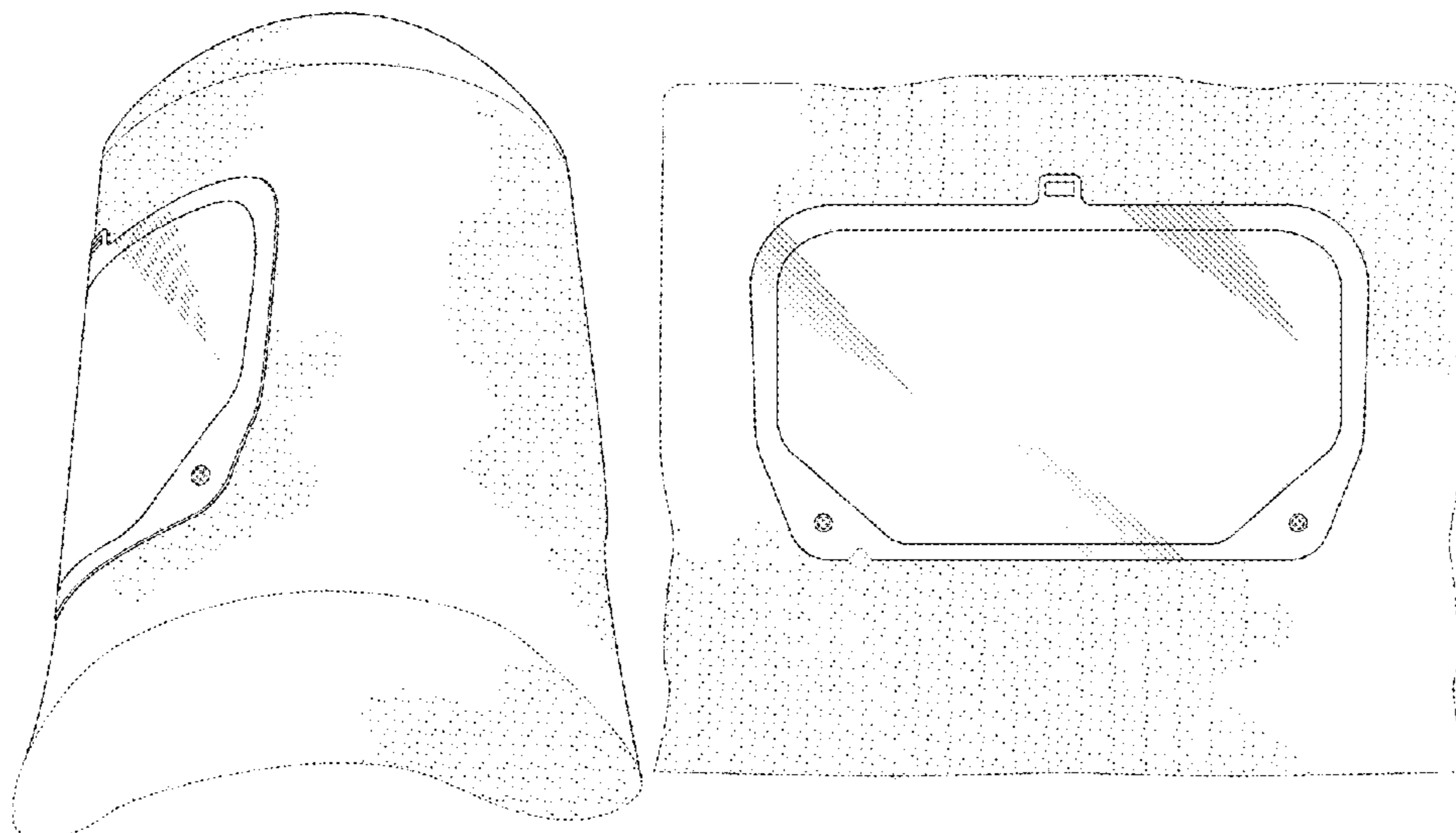
(57) **CLAIM**

The ornamental design for a surgical hood, as shown and described.

DESCRIPTION

FIG. 1 is a rear bottom perspective view of a surgical hood showing our new design;
FIG. 2 is a bottom right-side perspective view thereof;
FIG. 3 is an enlarged perspective view thereof depicting the circled portion of FIG. 2;
FIG. 4 is a bottom left-side perspective view thereof;
FIG. 5 is a partial front-side view thereof shown in a flattened position;
FIG. 6 is a front-side view thereof;
FIG. 7 is a left-side view thereof;
FIG. 8 is a rear-side view thereof;
FIG. 9 is a right-side view thereof;
FIG. 10 is a top-side view thereof;
FIG. 11 is a bottom-side view showing an interior portion of the surgical hood;
FIG. 12 is a side perspective view of the surgical hood in an inside-out configuration; and,
FIG. 13 is a partial front-side view of the inside-out configuration of the surgical hood shown in a flattened position. The broken lines in dash-dot-dot format in FIG. 5 and FIG. 13 represent an enlarged portion of the claimed design but not a boundary of the claimed design. All other evenly broken lines represent portions of the surgical hood that form no part of the claimed design.

1 Claim, 10 Drawing Sheets



(58) **Field of Classification Search**
 CPC .. A62B 18/02; A42B 3/26; A42B 1/04; A42B
 1/06; A42B 3/04; A42B 3/22; A42B 3/28
 See application file for complete search history.

(56) **References Cited**

U.S. PATENT DOCUMENTS

3,529,594 A * 9/1970 Charnleyjohn A41D 13/0025
 128/863
 3,535,706 A * 10/1970 Aileo A42B 3/105
 2/5
 3,990,112 A * 11/1976 Ciffolillo A41D 13/11
 2/424
 4,063,740 A 12/1977 Mader
 4,901,370 A * 2/1990 Suda A62B 17/006
 128/205.29
 4,920,576 A 5/1990 Landis
 4,965,887 A 10/1990 Paoluccio et al.
 D318,147 S 7/1991 Russell
 5,253,642 A * 10/1993 Stackhouse A41D 13/11
 128/201.25
 5,301,372 A 4/1994 Matoba
 5,630,412 A 5/1997 Dubruille et al.
 D382,084 S * 8/1997 Ferroni D24/110.3
 5,711,033 A 1/1998 Green et al.
 6,170,084 B1 1/2001 Gordon et al.
 6,378,133 B1 4/2002 Daikuzono
 6,463,589 B1 * 10/2002 Wang A41D 13/1153
 128/201.15
 6,481,019 B2 11/2002 Diaz et al.
 6,622,311 B2 9/2003 Diaz et al.
 6,792,944 B1 9/2004 Green et al.
 6,918,141 B2 7/2005 Green et al.
 6,928,662 B2 8/2005 Fournier
 6,954,968 B1 10/2005 Sitbon
 6,973,677 B2 12/2005 Diaz et al.
 7,093,302 B1 8/2006 Burns
 7,200,873 B2 4/2007 Klotz et al.
 7,225,471 B2 6/2007 Sutter et al.
 7,357,135 B2 * 4/2008 Cunningham A42B 3/286
 128/201.22
 7,610,913 B1 * 11/2009 Resnick A62B 17/006
 128/201.22
 7,735,156 B2 6/2010 VanDerWoude et al.
 7,752,682 B2 7/2010 VanDerWoude et al.
 7,937,775 B2 5/2011 Manzella, Jr. et al.
 8,011,023 B2 * 9/2011 Resnick A62B 17/04
 2/202
 8,011,027 B2 * 9/2011 Brookman A62B 17/006
 2/456
 D662,261 S 6/2012 Klotz et al.
 8,201,273 B2 * 6/2012 Duncan A42B 1/008
 2/202
 8,225,421 B1 7/2012 Froissard
 8,234,722 B2 8/2012 VanDerWoude et al.
 8,261,375 B1 9/2012 Reaux

8,282,234 B2 10/2012 VanDerWoude et al.
 8,302,599 B2 11/2012 Green
 D675,787 S 2/2013 Klotz et al.
 D677,008 S 2/2013 Klotz et al.
 8,407,818 B2 4/2013 VanDerWoude et al.
 8,453,262 B2 6/2013 Green
 8,613,113 B1 * 12/2013 Resnick A62B 17/04
 2/410
 8,621,664 B2 1/2014 Peebles
 8,745,763 B2 6/2014 Cho
 8,819,869 B2 9/2014 VanDerWoude et al.
 9,173,437 B2 11/2015 VanDerWoude et al.
 9,833,032 B2 12/2017 Jacobsen
 D840,606 S 2/2019 Berggren et al.
 10,420,386 B1 * 9/2019 Jefferis A41D 13/1153
 10,470,505 B2 * 11/2019 Chua A41D 13/1218
 D875,321 S 2/2020 Bastman et al.
 D877,887 S 3/2020 Kelly et al.
 D901,088 S 11/2020 Berggren et al.
 D912,331 S * 3/2021 Gilman D29/107
 2006/0283455 A1 * 12/2006 Walker A41D 13/1184
 128/206.24
 2007/0060011 A1 3/2007 Daftari et al.
 2009/0151054 A1 6/2009 VanDerWoude et al.
 2013/0283508 A1 10/2013 Durham et al.
 2014/0189942 A1 * 7/2014 Coombs A42B 1/247
 2/424
 2014/0304888 A1 * 10/2014 Tsai A42B 1/012
 2/173
 2015/0090254 A1 4/2015 Pavalarajan et al.
 2015/0375019 A1 12/2015 VanDerWoude et al.
 2016/0120240 A1 * 5/2016 Vanneste A41D 13/1153
 2/457
 2020/0178622 A1 * 6/2020 Jascomb A41D 13/1192
 2021/0093024 A1 * 4/2021 Christensen A41D 13/1209
 2021/0137205 A1 * 5/2021 Jascomb B29C 48/21
 2021/0169158 A1 * 6/2021 Mithani A41D 13/129

OTHER PUBLICATIONS

Stryker launches new T7 personal protection system (on-line), dated Jan. 6, 2021. Retrieved from Internet Jul. 8, 2021, URL: <https://wkzo.com/2021/01/06/stryker-launches-new-t7-personal-protection-system/> (1 page) (Year: 2021).*

Disposable Stryker Flyte Medical Protective Hood-China (on-line), no date available. Retrieved from Internet Jul. 8, 2021, URL: <https://xinruimedical.en.made-in-china.com/product/xKCmBHNbEiYe/China-Disposable-Stryker-Flyte-Medical-Protective-Hood.html> (1 page).*

Bio-Medical Devices Intl, "MaxAir Systems 2270-01 Pre-Filter DLC Hood Instructions for Use", Available on or before Apr. 2017, 3 pages.

Non-Final Office Action for U.S. Appl. No. 16/223,523, dated Jul. 11, 2019, 14 pages.

U.S. Appl. No. 16/257,668, filed Jan. 25, 2019.

* cited by examiner

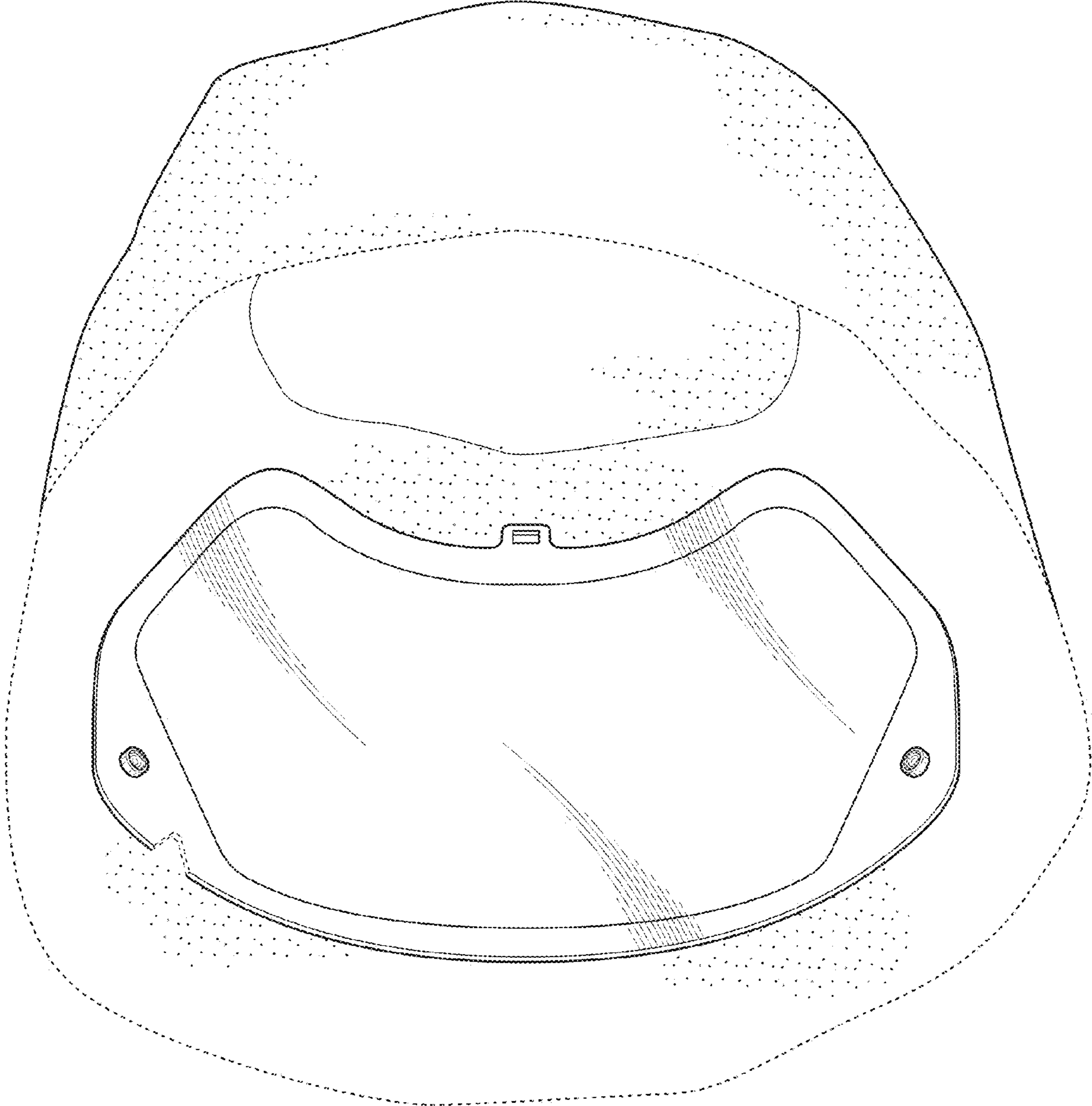


FIG. 1

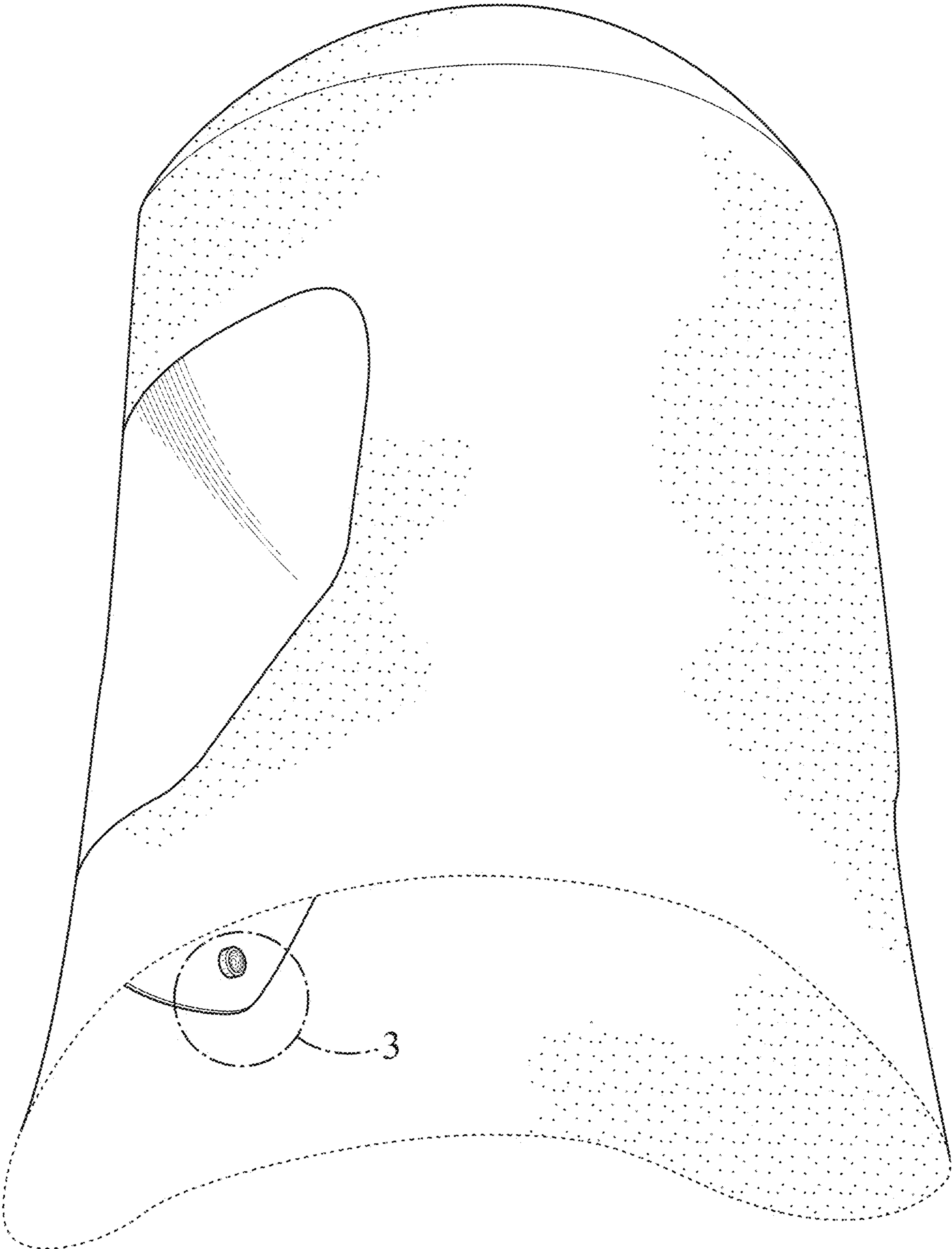


FIG. 2

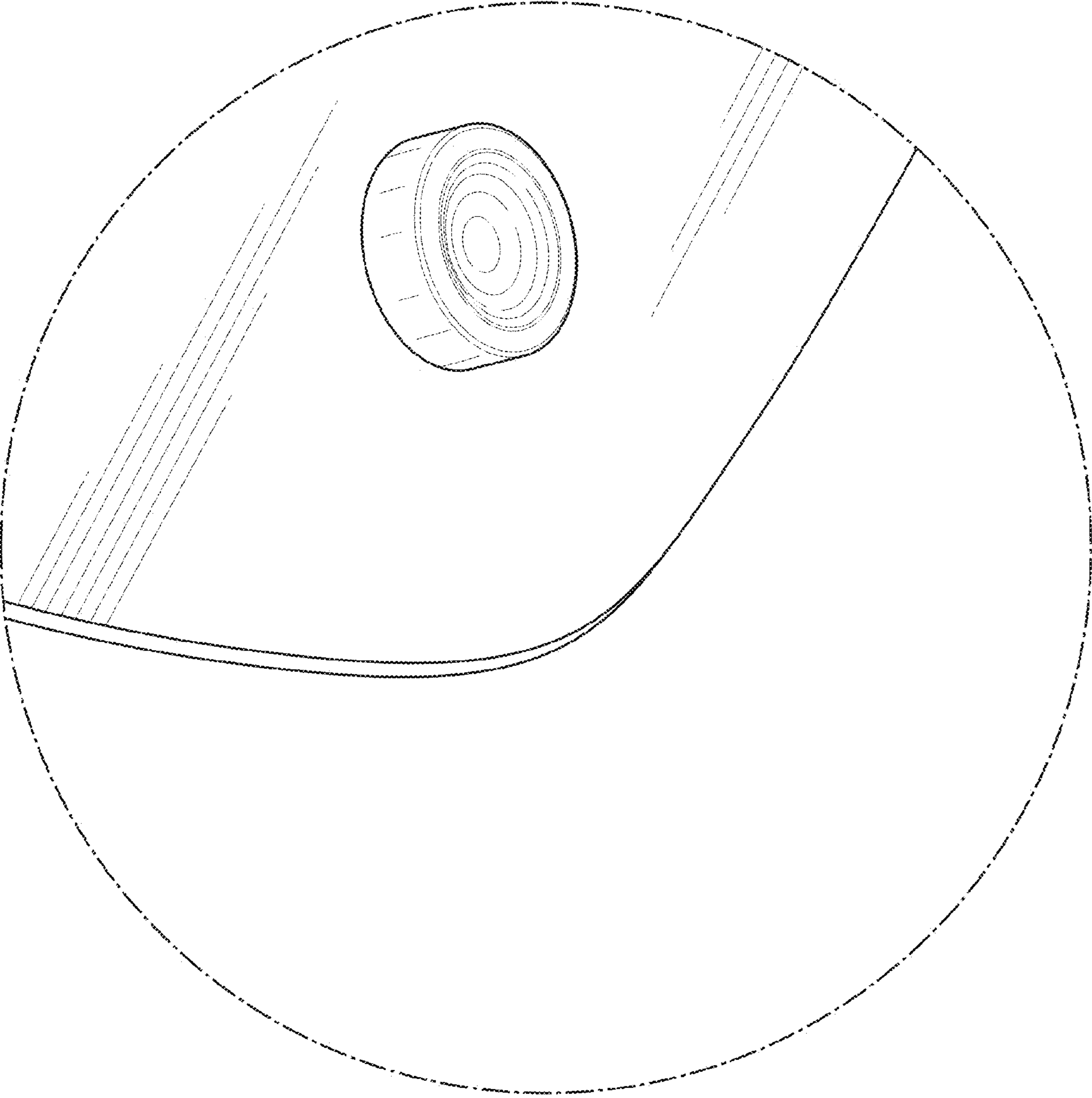


FIG. 3

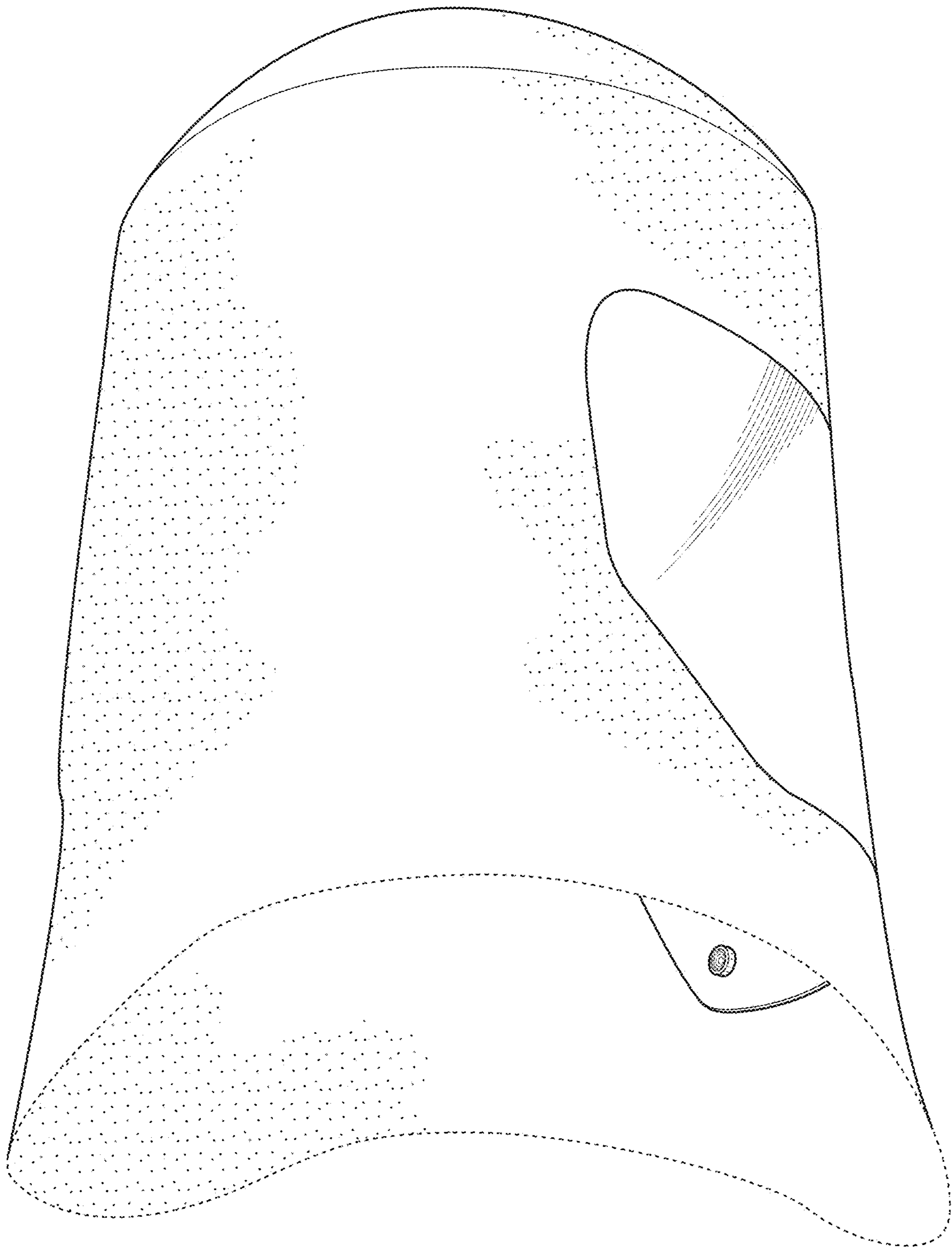


FIG. 4

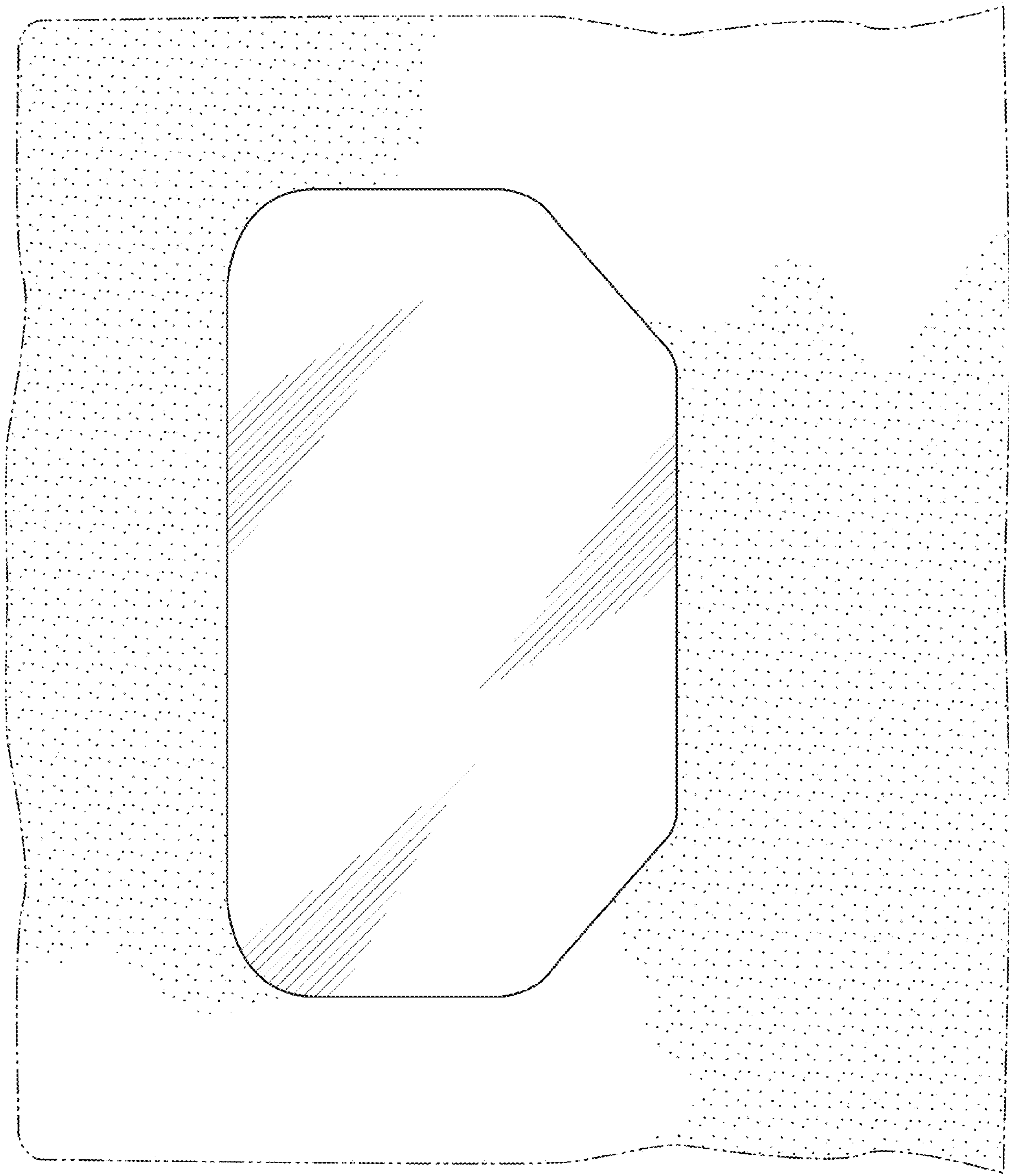


FIG. 5

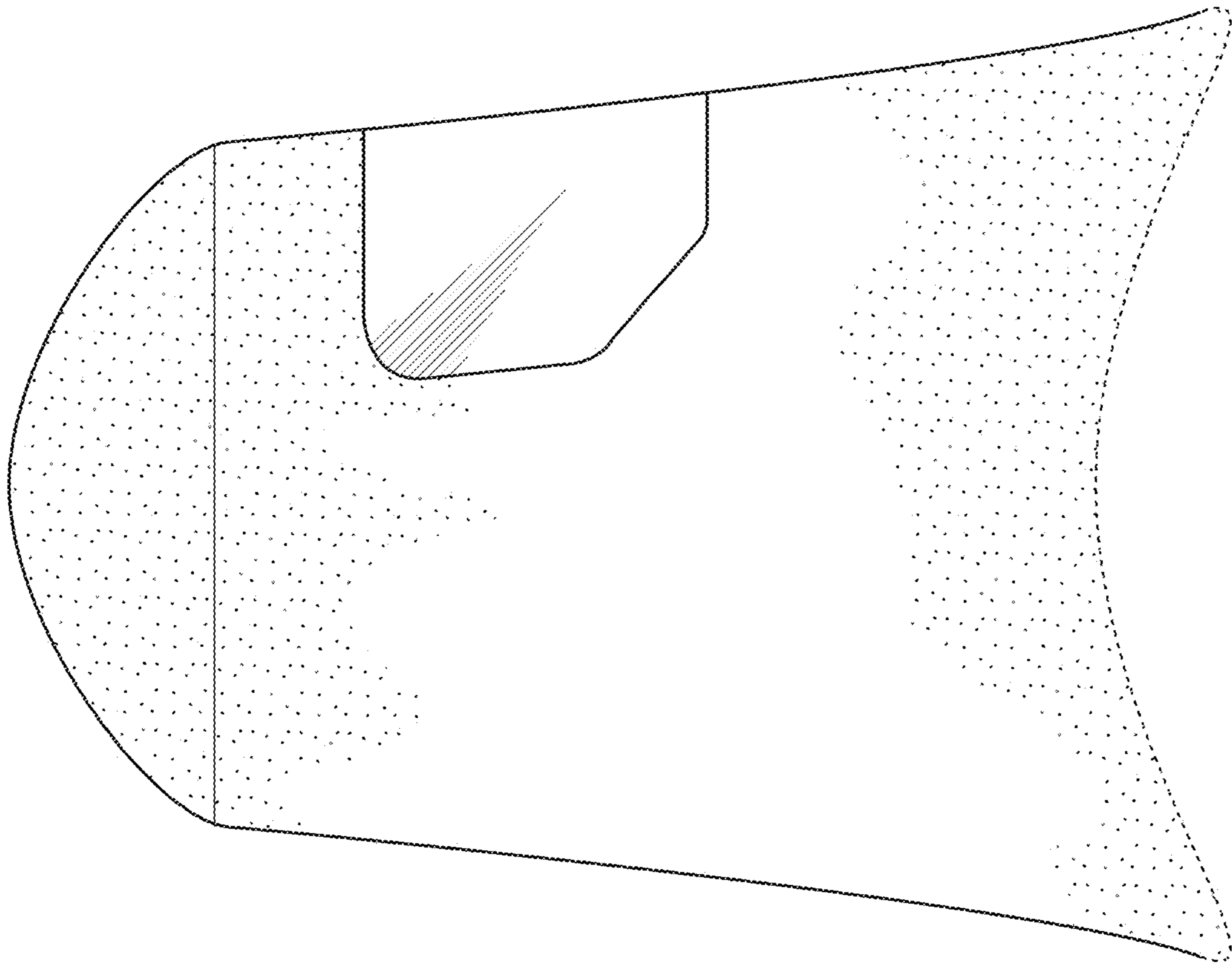


FIG. 7

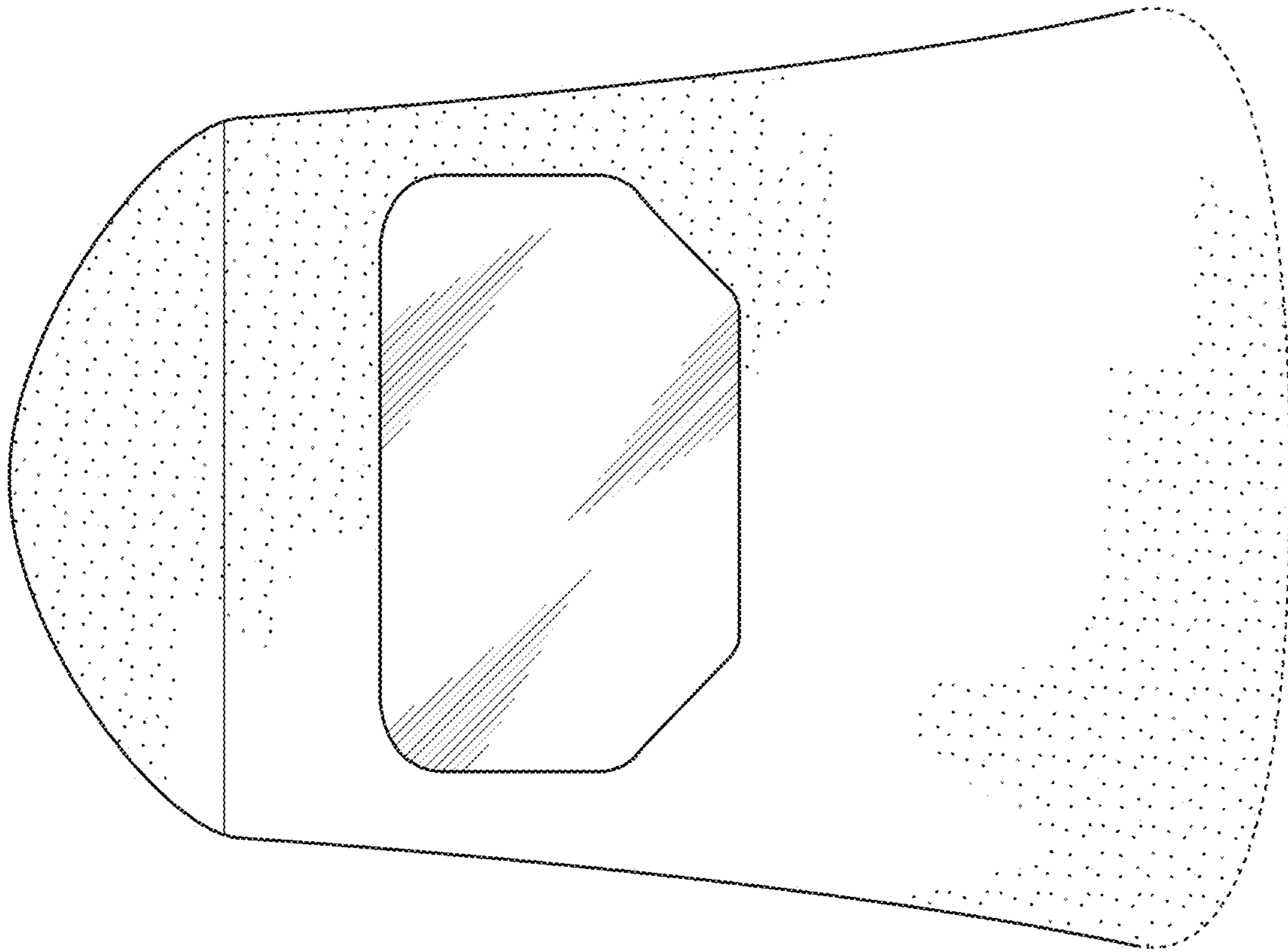


FIG. 6

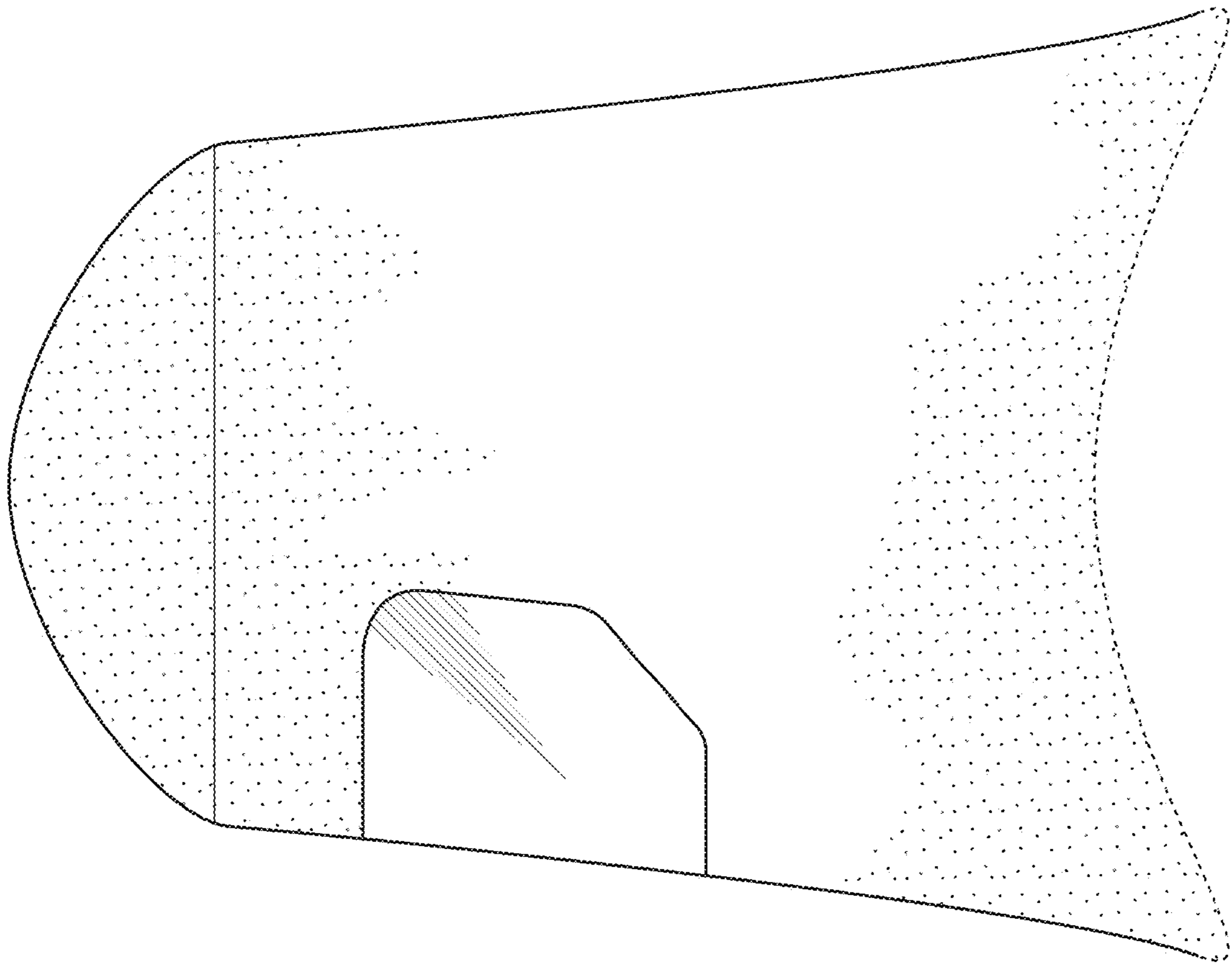


FIG. 9

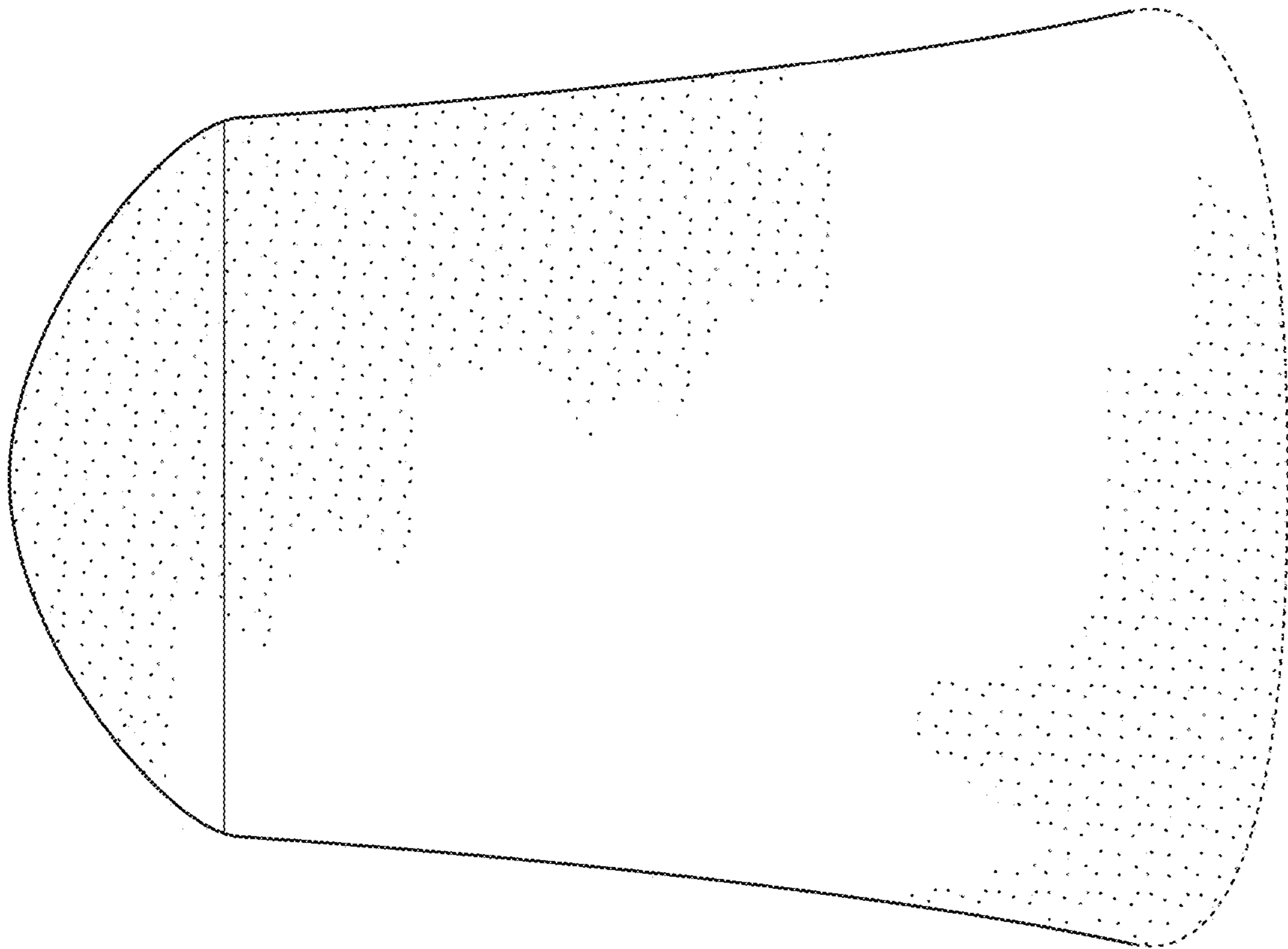


FIG. 8

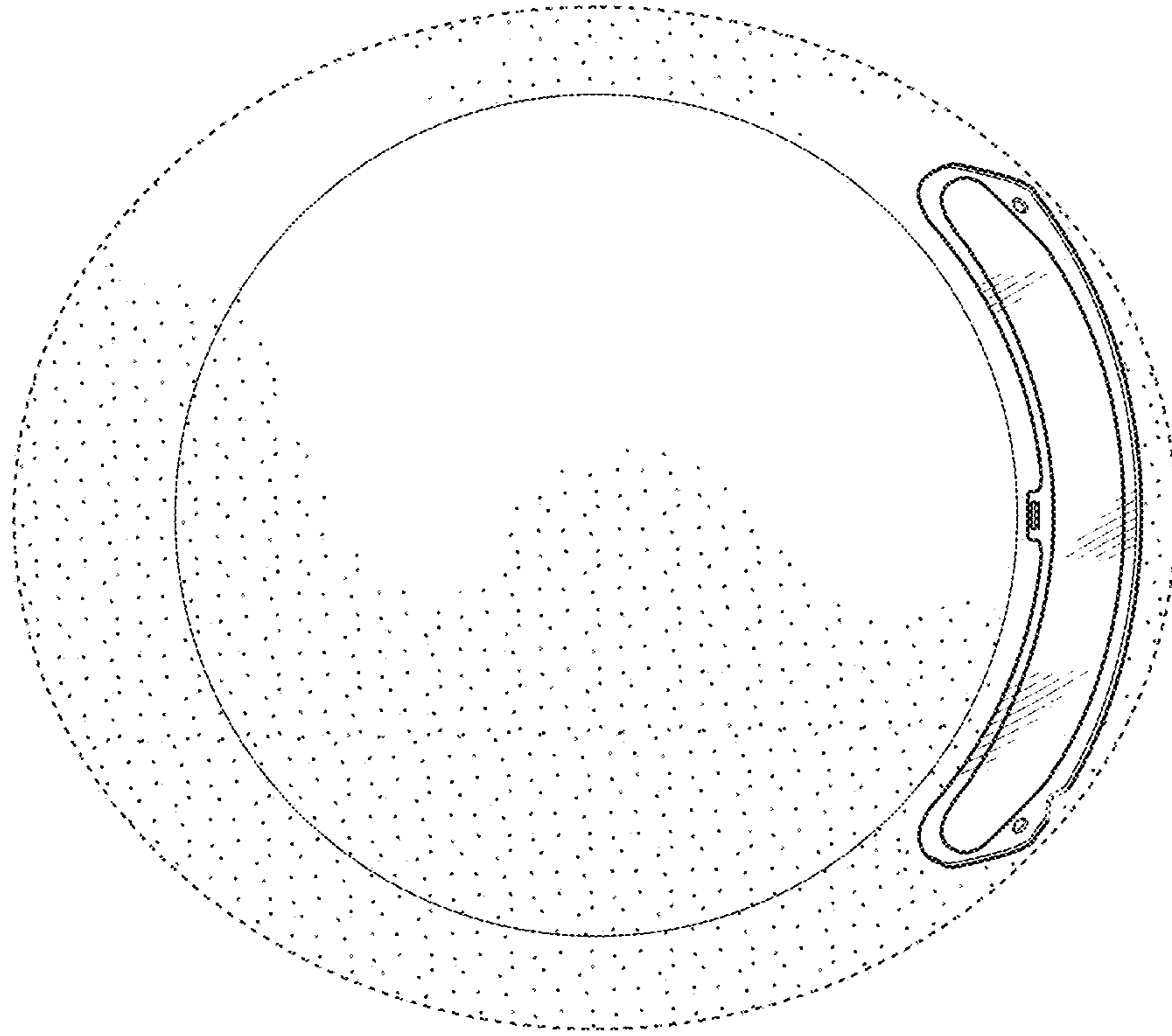


FIG. 10

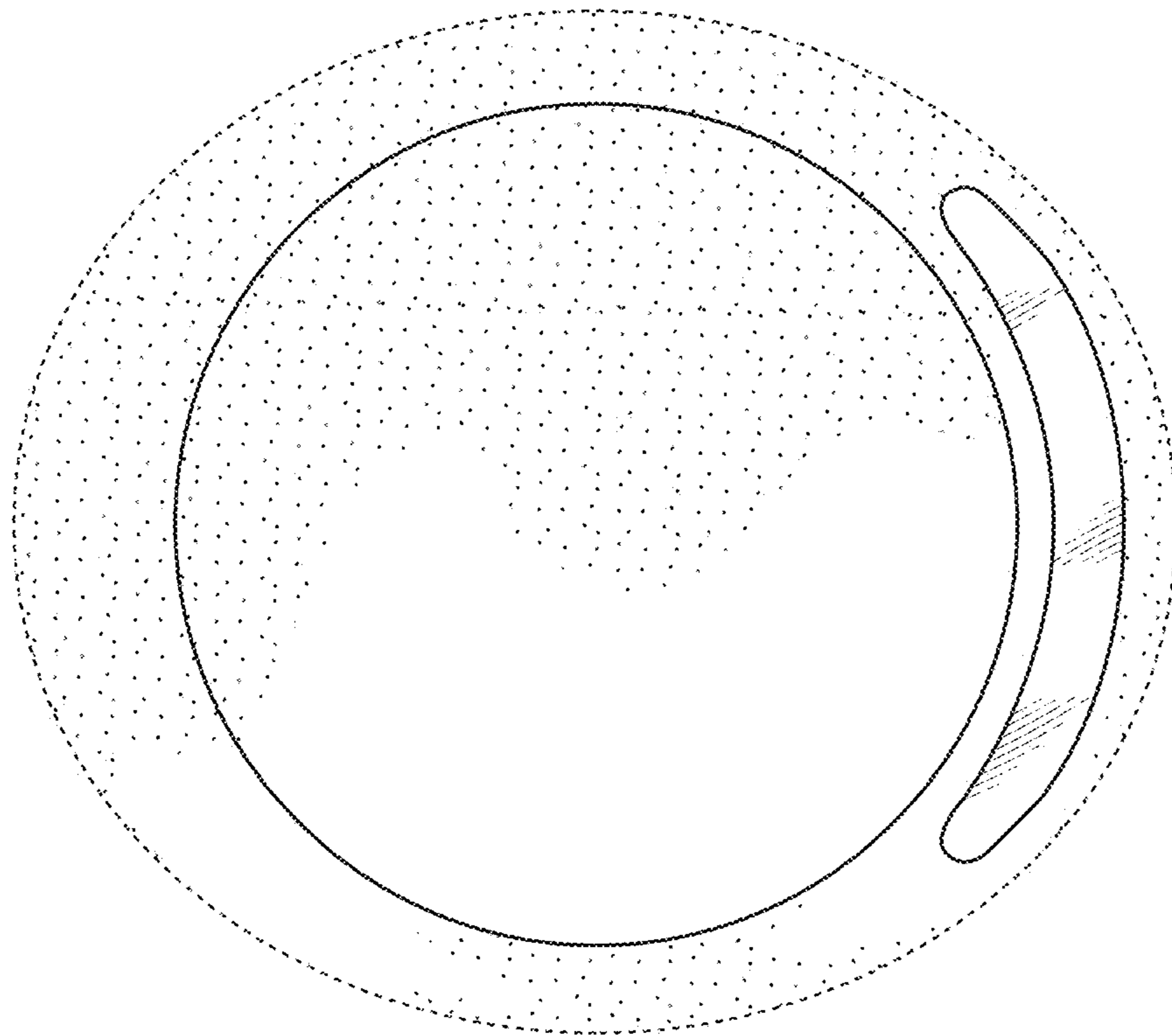


FIG. 11

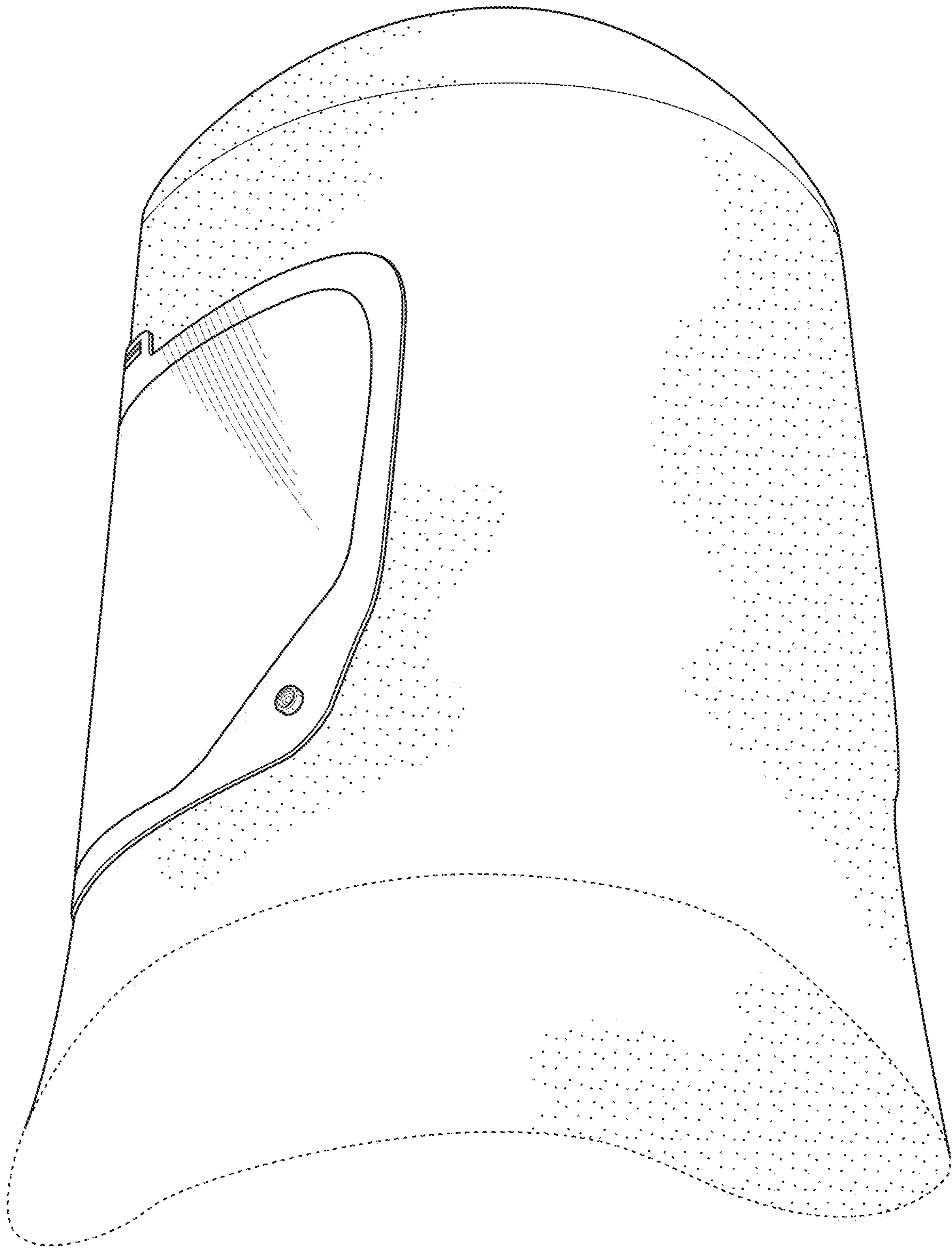


FIG. 12

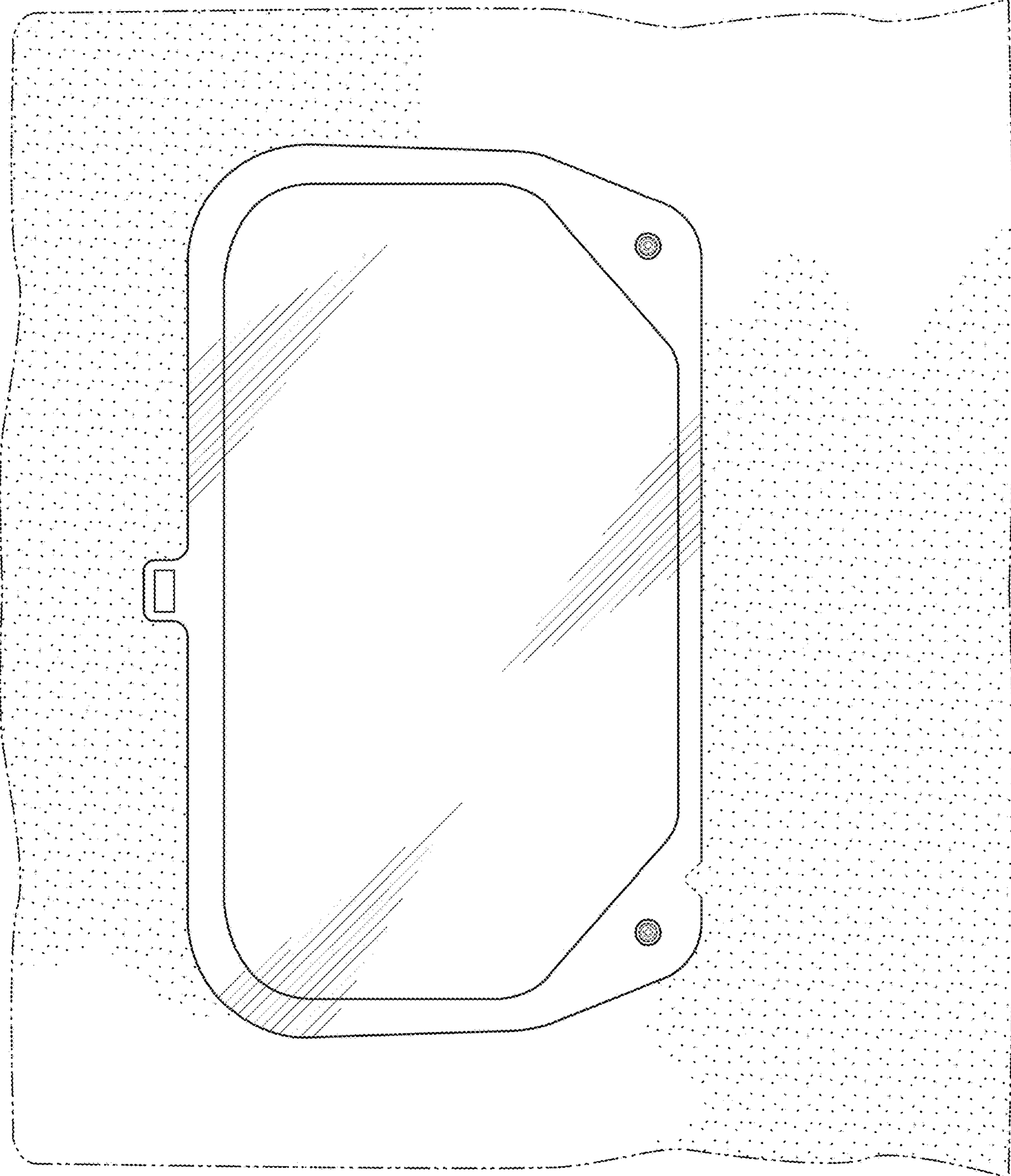


FIG. 13