



US00D936903S

(12) **United States Design Patent** (10) **Patent No.:** **US D936,903 S**
Matsuiishi (45) **Date of Patent:** **** Nov. 23, 2021**

(54) **REFILL FOR POWDER COMPACT**
(71) Applicant: **Midori Matsuiishi**, Tokyo (JP)
(72) Inventor: **Midori Matsuiishi**, Tokyo (JP)
(73) Assignee: **SHISEIDO COMPANY, LIMITED**,
Tokyo (JP)
(**) Term: **15 Years**
(21) Appl. No.: **29/737,106**
(22) Filed: **Jun. 5, 2020**
(51) **LOC (13) Cl.** **28-03**
(52) **U.S. Cl.**
USPC **D28/82**
(58) **Field of Classification Search**
USPC D28/73, 76-82, 64.1; D9/426, 428, 429,
D9/503, 504; D3/201, 203.1, 203.2,
D3/203.3
CPC .. A45D 33/006; A45D 33/003; A45D 33/025;
A45D 33/34; A45D 2200/05
See application file for complete search history.

D846,195 S * 4/2019 Kang D28/82
D853,036 S * 7/2019 Lee D28/82
D857,996 S * 8/2019 Chen D28/82
D861,989 S * 10/2019 Jeong D28/78
D866,334 S * 11/2019 Wieland D9/504
D898,294 S * 10/2020 Kikuchi D28/82
D898,295 S * 10/2020 Kikuchi D28/82
D917,787 S * 4/2021 Kim D28/82

OTHER PUBLICATIONS

Portable Loose Powder Container Makeup Case By: Topwon found on Amazon May 20, 2021 <https://www.amazon.com/Topwon-Portable-Powder-Container-Makeup/dp/B01J2YE2D0> Oct. 10, 2017.*

* cited by examiner

Primary Examiner — Marissa J Cash
Assistant Examiner — Rebecca Tsehaye
(74) *Attorney, Agent, or Firm* — Manabu Kanesaka

(57) **CLAIM**

The ornamental design for a refill for powder compact, as shown and described.

DESCRIPTION

FIG. 1 is a perspective view of a refill for powder compact showing my new design;
FIG. 2 is a front view thereof, a rear view, left side view, and right side view being identical to the front view;
FIG. 3 is a plan view thereof;
FIG. 4 is a bottom view thereof;
FIG. 5 is a cross-sectional view thereof along the line 5-5 in FIG. 2; and,
FIG. 6 is a reference view thereof, wherein the lid is removed.
The broken lines depict portions of the refill for powder compact that form no part of claimed design.

1 Claim, 3 Drawing Sheets

(56) **References Cited**
U.S. PATENT DOCUMENTS
D398,079 S * 9/1998 Denison D28/77
D442,338 S * 5/2001 Roman D28/82
D514,936 S * 2/2006 Pace D9/504
D523,752 S * 6/2006 Bried D9/504
D524,989 S * 7/2006 Lombardi D28/82
D622,003 S * 8/2010 Naughton D28/82
D732,740 S * 6/2015 Yoon D28/82
D744,698 S * 12/2015 Kalyanpur D28/82
D788,371 S * 5/2017 Lee D28/82
D817,551 S * 5/2018 Montoli A45D 33/008
D28/82

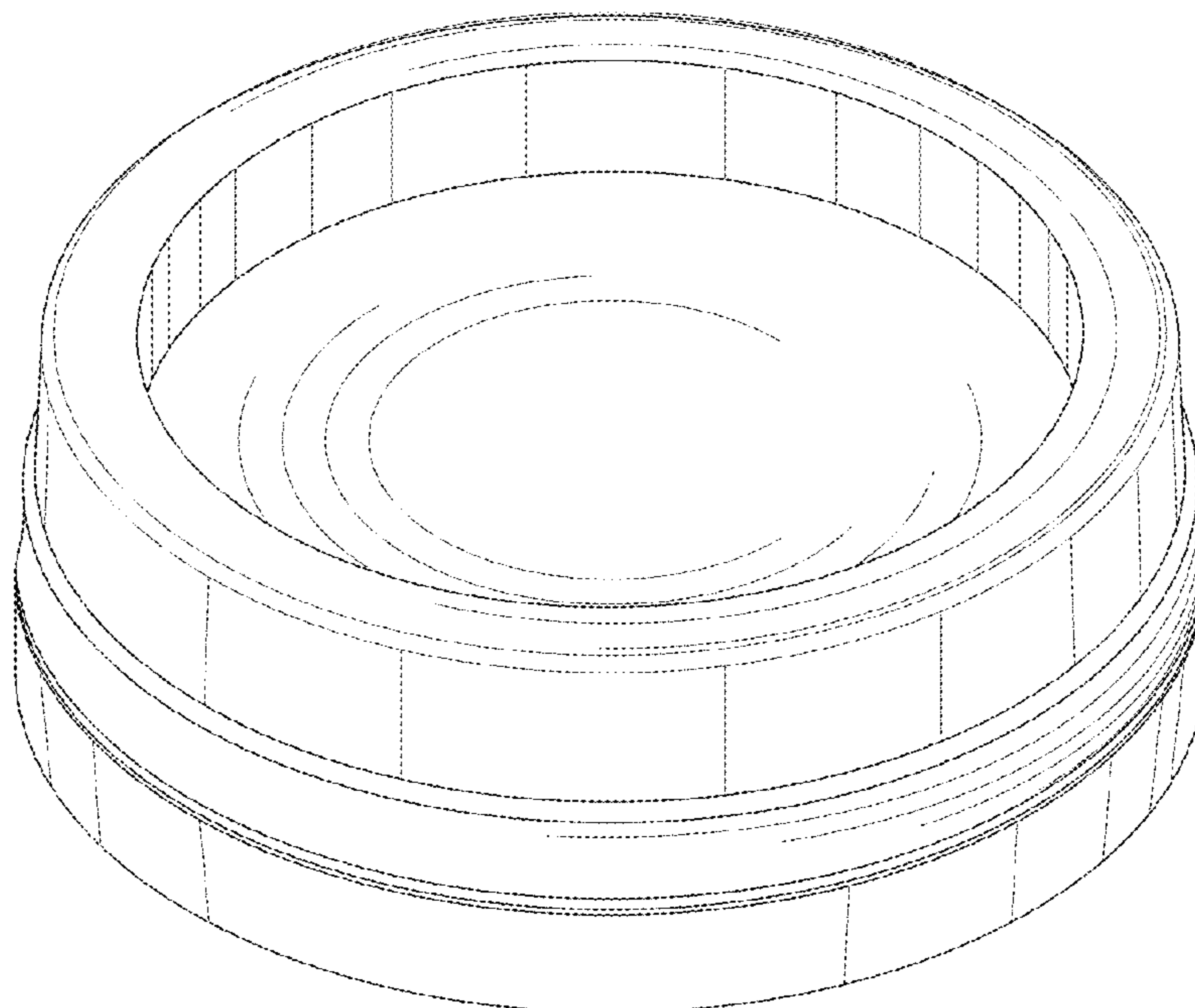


Fig.1

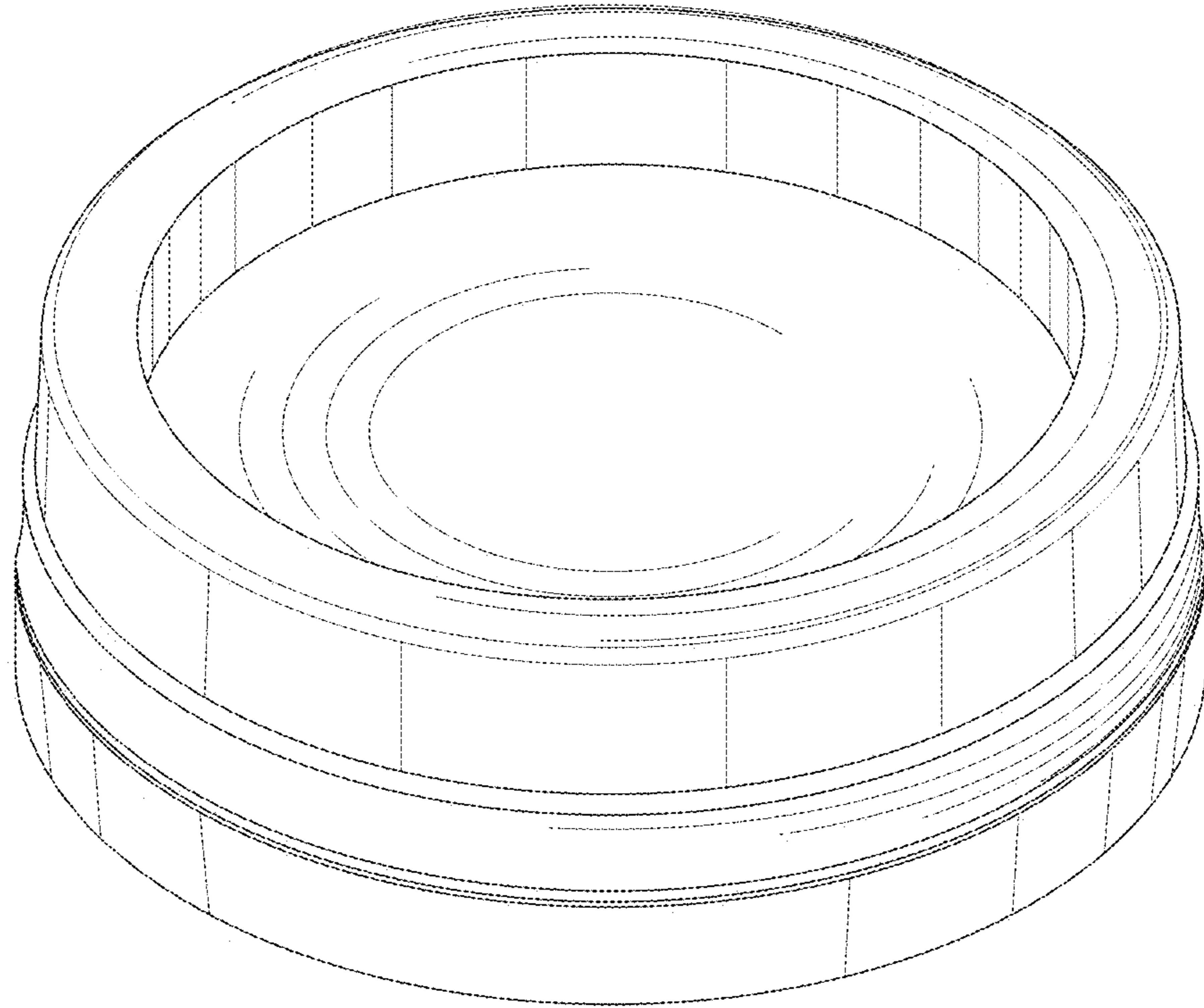


Fig.2

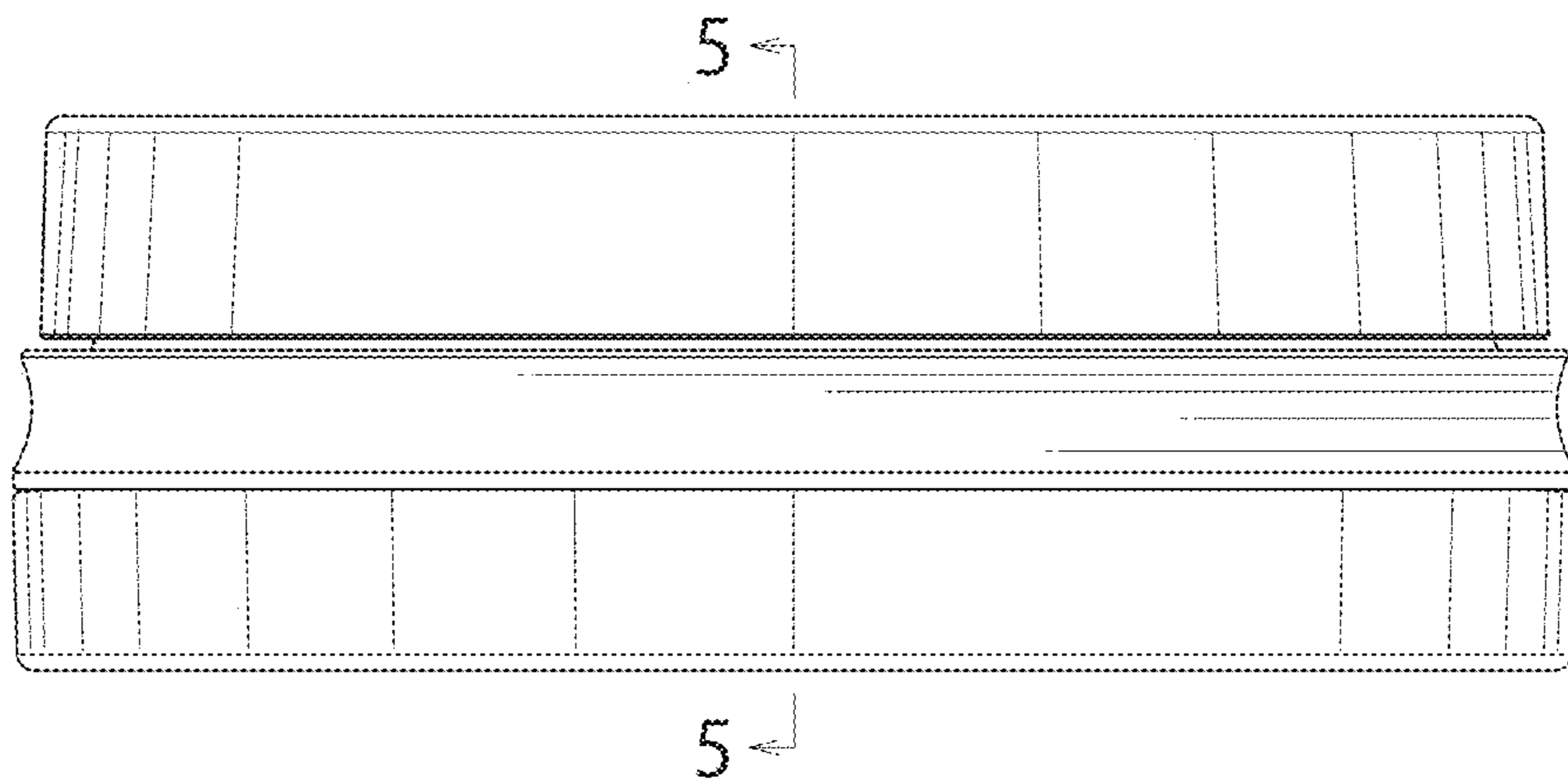


Fig.3

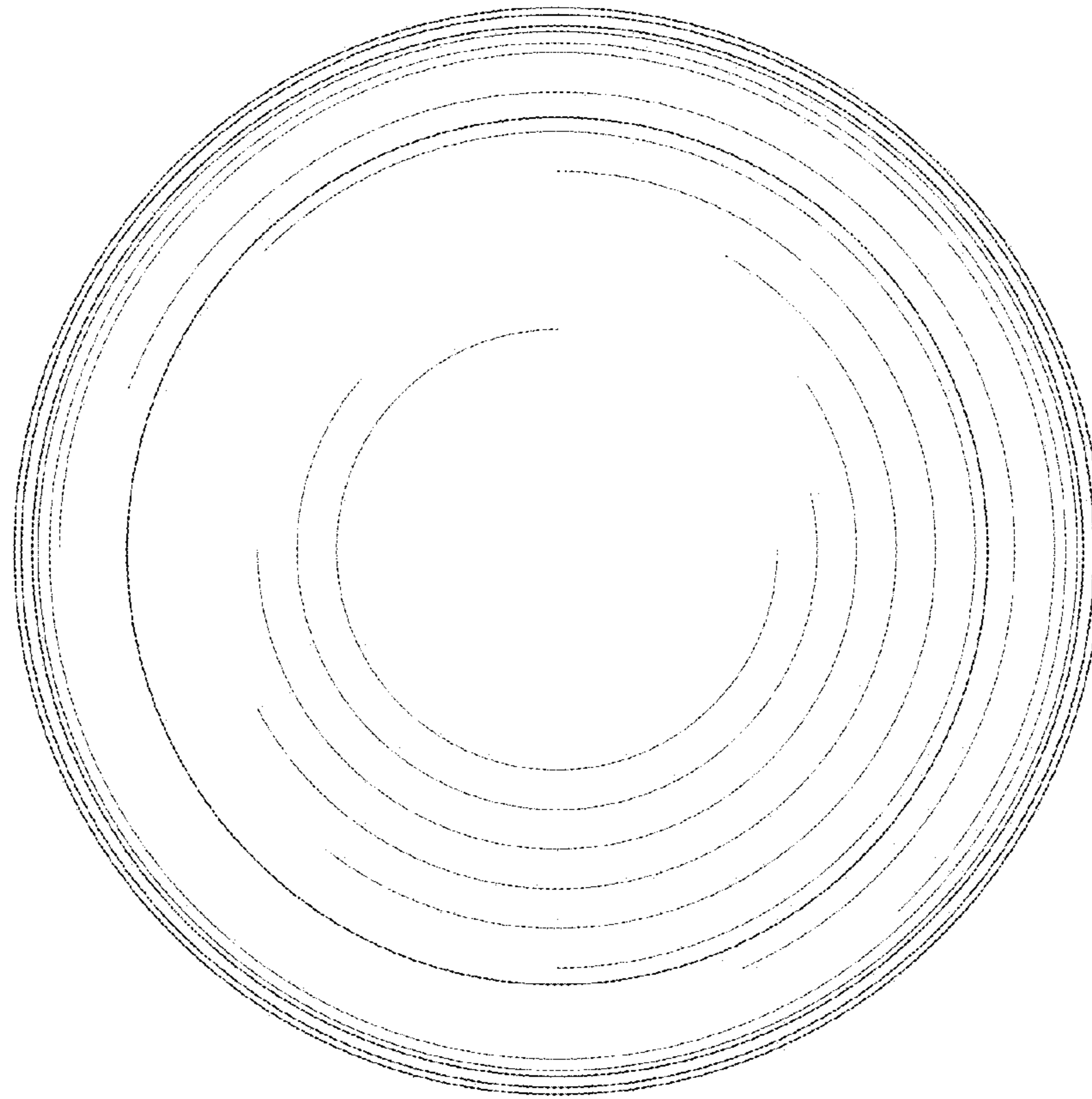


Fig.4

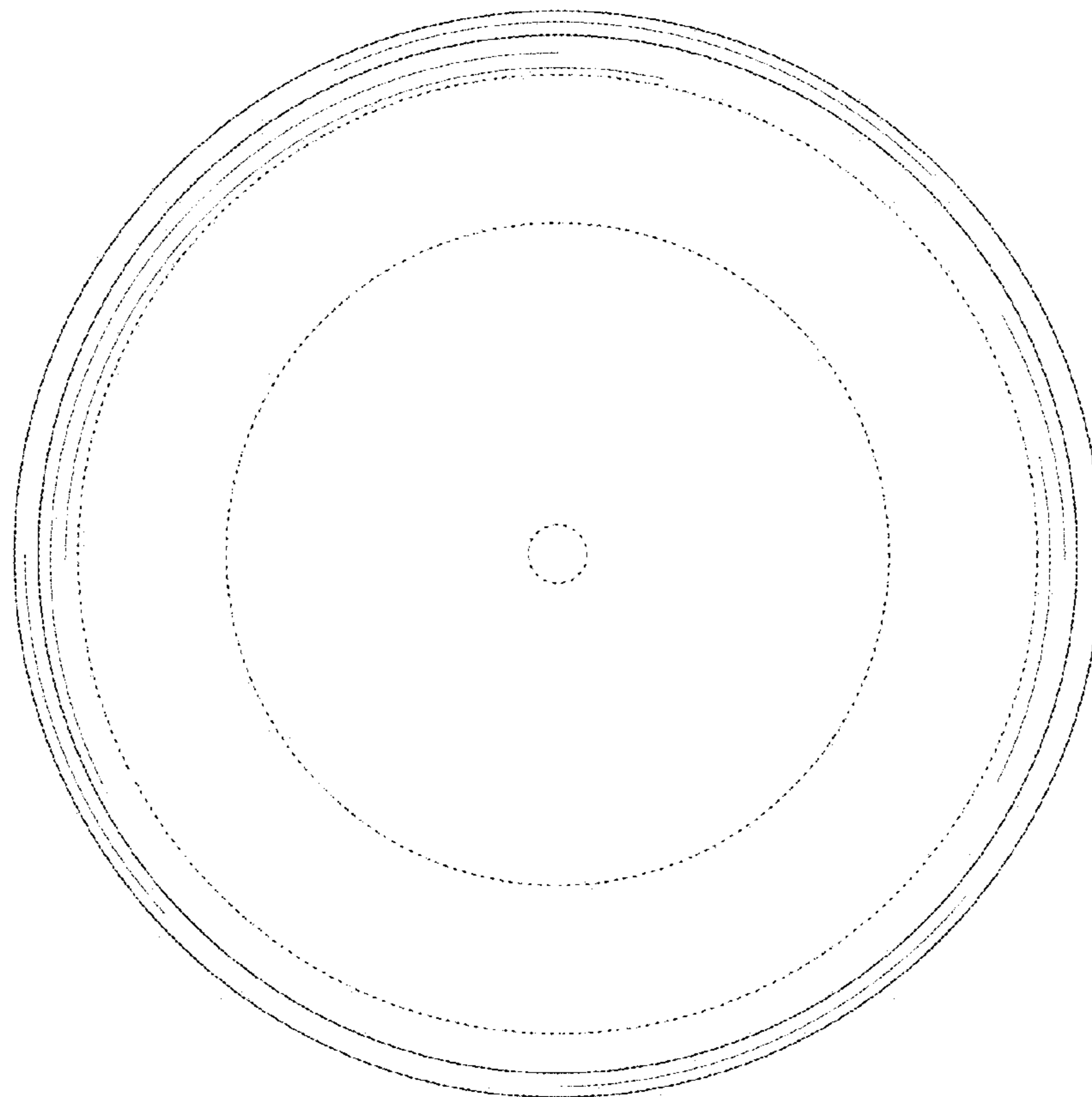


Fig.5

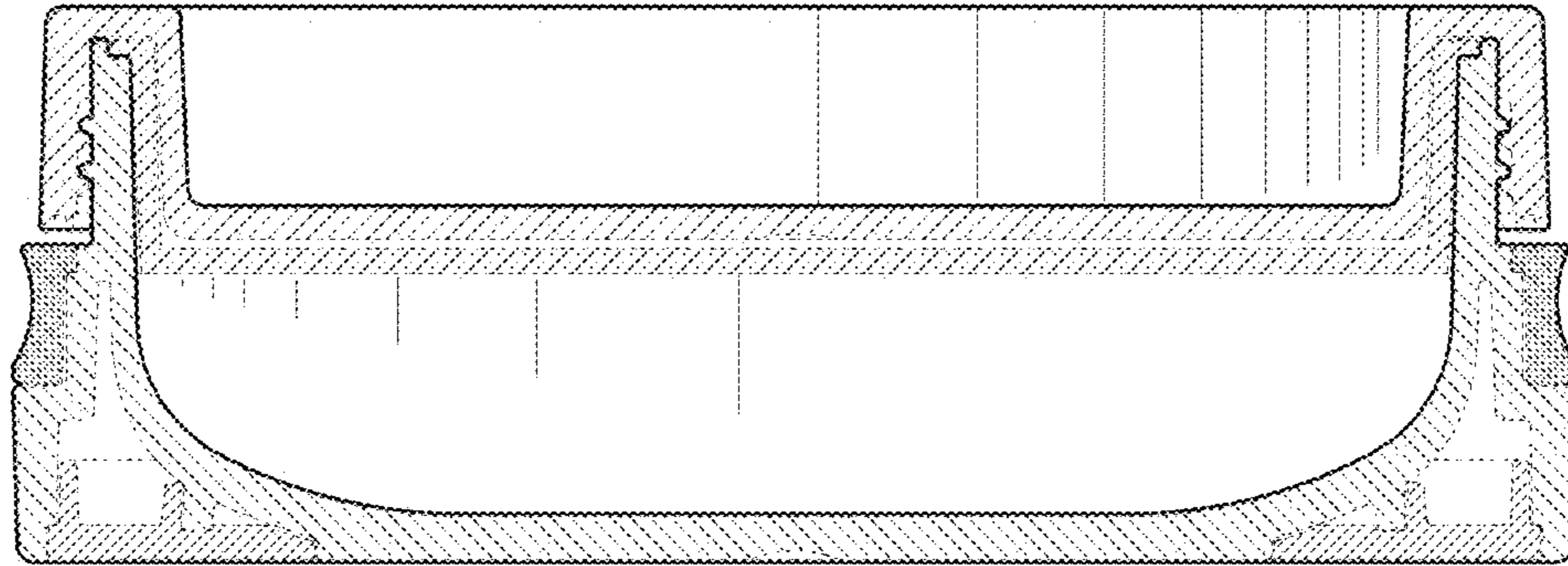


Fig.6

