



US00D936901S

(12) **United States Design Patent** (10) **Patent No.:** **US D936,901 S**  
**Ji** (45) **Date of Patent:** **\*\* Nov. 23, 2021**

(54) **PET HAIR CLIPPER** 2009/0188117 A1\* 7/2009 Putzer ..... B26B 19/3813  
30/201  
(71) Applicant: **Changqin Ji**, Shandong (CN) 2018/0345510 A1\* 12/2018 Julemont ..... B26B 19/44  
2020/0298431 A1\* 9/2020 Huang ..... B26B 19/44

(72) Inventor: **Changqin Ji**, Shandong (CN)

(73) Assignee: **Qinglao Kaipu Dun International Trade Co., Ltd.**, Shandong (CN)

(\*\*) Term: **15 Years**

(21) Appl. No.: **29/730,731**

(22) Filed: **Apr. 8, 2020**

(51) **LOC (13) Cl.** ..... **28-03**

(52) **U.S. Cl.**  
USPC ..... **D28/53**

(58) **Field of Classification Search**  
USPC ..... D28/49-54; D30/150  
CPC ..... B26B 19/00-048; B26B 19/06-08; B26B  
19/10-107; B26B 19/12; B26B  
19/20-205; B26B 19/3853-3886; B26B  
19/24

See application file for complete search history.

(56) **References Cited**

**U.S. PATENT DOCUMENTS**

D403,468	S	*	12/1998	Smith	.....	D28/53
D521,683	S	*	5/2006	Pepall	.....	D28/53
D522,694	S	*	6/2006	Shin	.....	D28/53
D524,486	S	*	7/2006	Ng	.....	D28/53
D698,084	S	*	1/2014	Yoon	.....	D28/53
D722,723	S	*	2/2015	Nitsch	.....	D28/53
10,040,208	B2	*	8/2018	Darwinkel	.....	B26B 19/20
D852,419	S	*	6/2019	Mori	.....	D28/53
D866,072	S	*	11/2019	Chen	.....	D28/53
D905,909	S	*	12/2020	Wang	.....	D28/53
D908,962	S	*	1/2021	Tran	.....	D28/51

**OTHER PUBLICATIONS**

Hansprou Dog Shaver, www.amazon.com, date available Jul. 2019, 1 page [https://www.amazon.com/Hansprou-Clippers-Clipper-Professional-Grooming/dp/B07V2Y2K6Z/ref=cm\\_cr\\_arp\\_d\\_product\\_top?ie=UTF8&th=1](https://www.amazon.com/Hansprou-Clippers-Clipper-Professional-Grooming/dp/B07V2Y2K6Z/ref=cm_cr_arp_d_product_top?ie=UTF8&th=1) (Year: 2019).\*  
[https://www.amazon.com/Hansprou-Clippers-Clipper-PrfesionalGrooming/dp/B07V2Y2K6Z/ref=cm\\_cr\\_arp\\_d\\_product\\_top?ie=UTF8&th=1](https://www.amazon.com/Hansprou-Clippers-Clipper-PrfesionalGrooming/dp/B07V2Y2K6Z/ref=cm_cr_arp_d_product_top?ie=UTF8&th=1).

\* cited by examiner

*Primary Examiner* — Jennifer Rivard

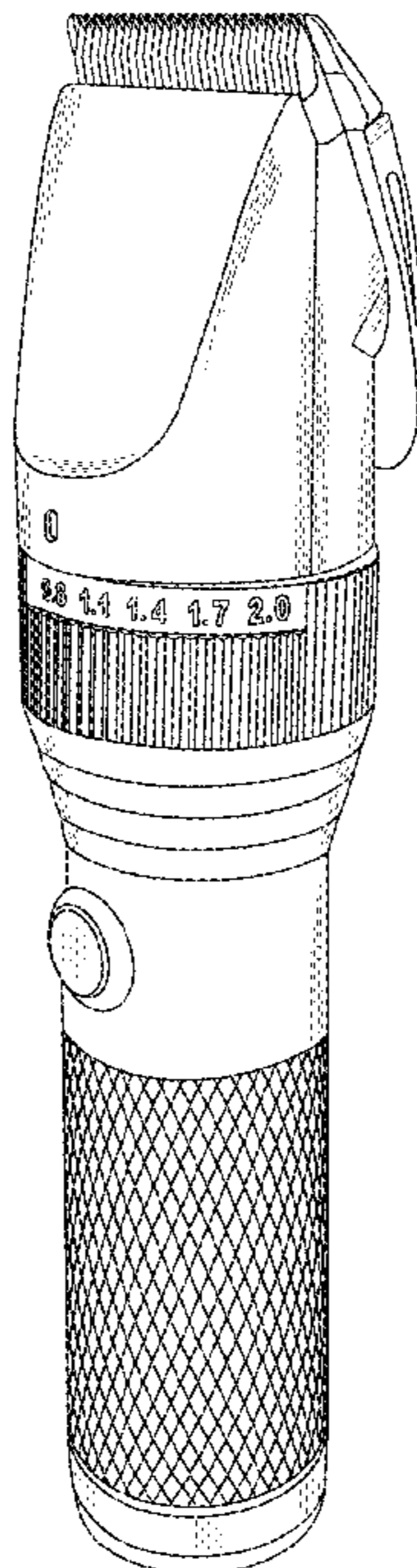
(57) **CLAIM**

The ornamental design for a pet hair clipper, as shown and described.

**DESCRIPTION**

FIG. 1 is a perspective view of a pet hair clipper showing my new design;  
FIG. 2 is a front elevation view thereof;  
FIG. 3 is a rear elevation view thereof;  
FIG. 4 is a left side elevation view thereof;  
FIG. 5 is a right side elevation view thereof;  
FIG. 6 is a top plan view thereof; and,  
FIG. 7 is a bottom plan view thereof.  
The broken lines depict portions of the pet hair clipper that form no part of the claimed design.

**1 Claim, 7 Drawing Sheets**



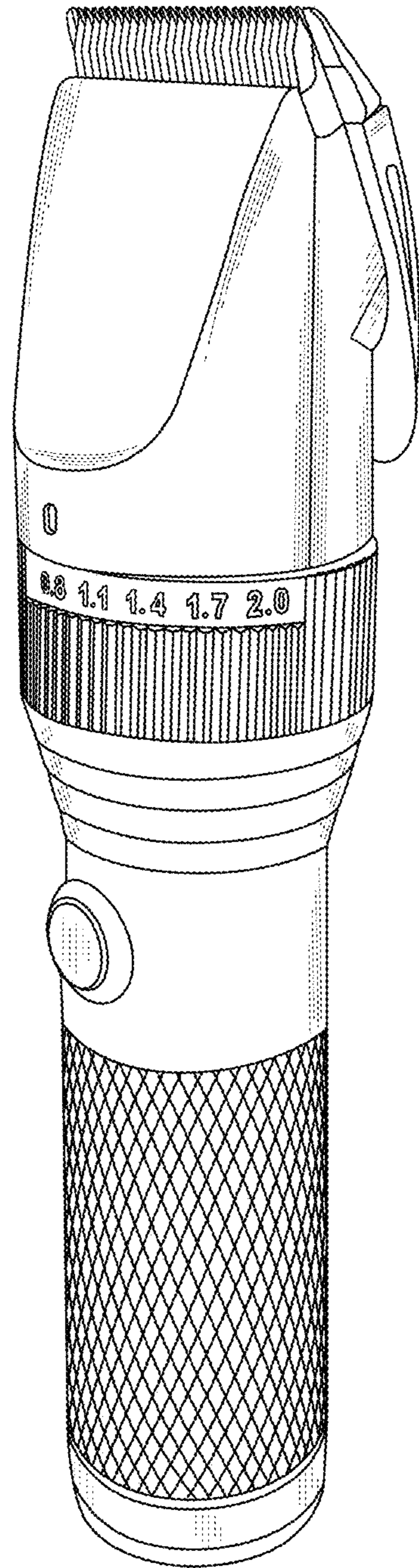


FIG.1

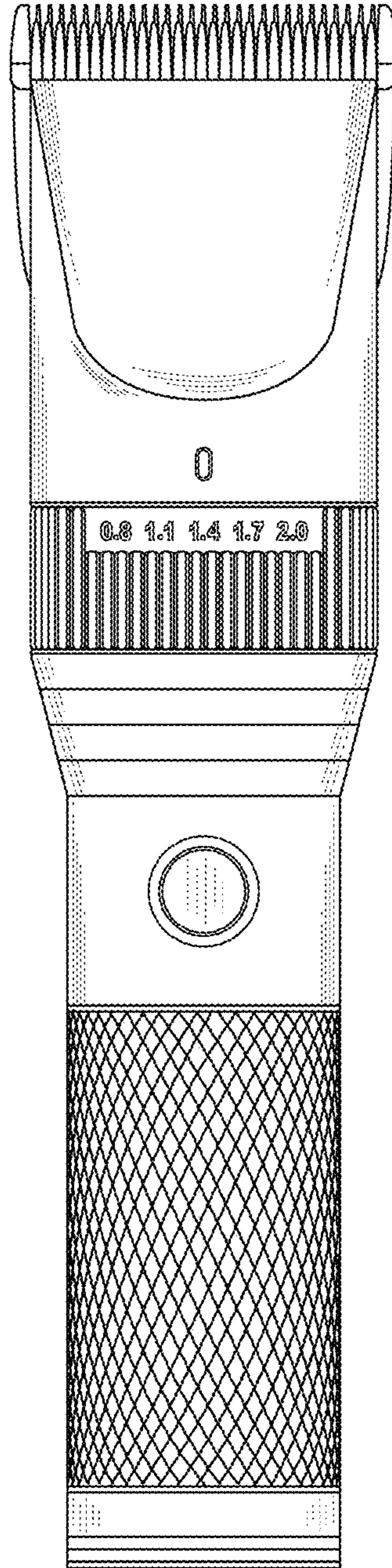


FIG.2

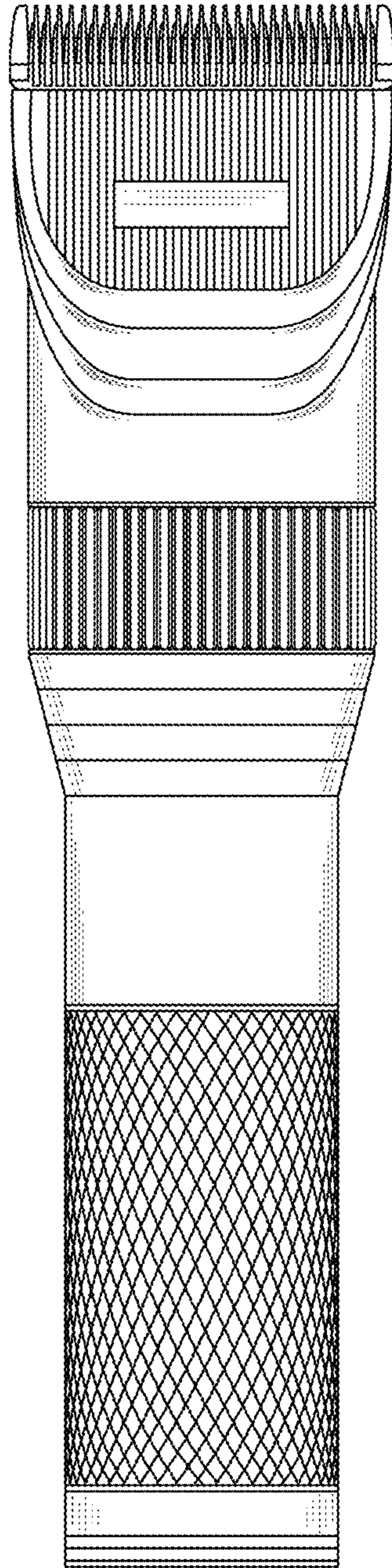


FIG.3

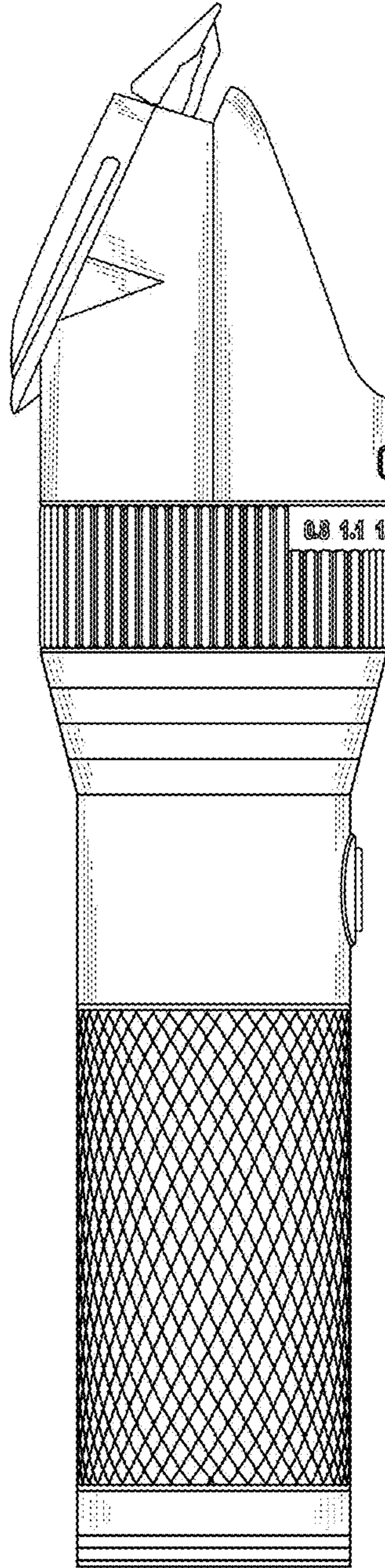


FIG.4

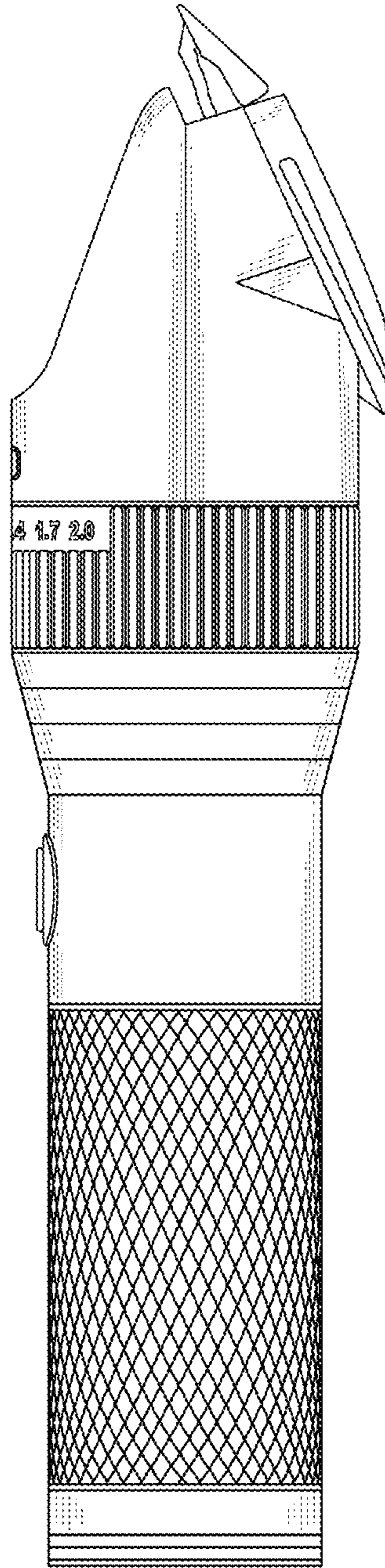


FIG.5

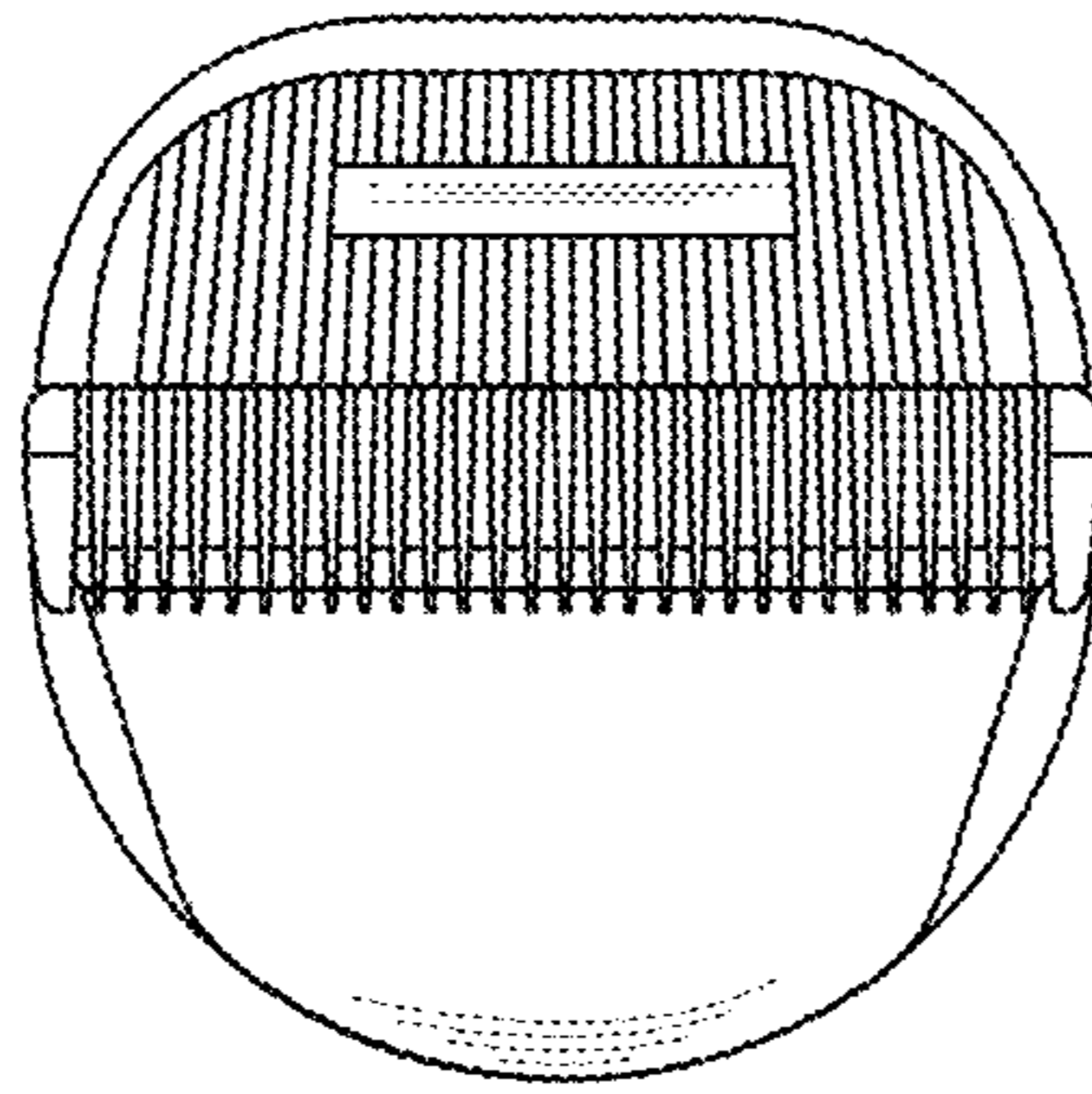


FIG.6

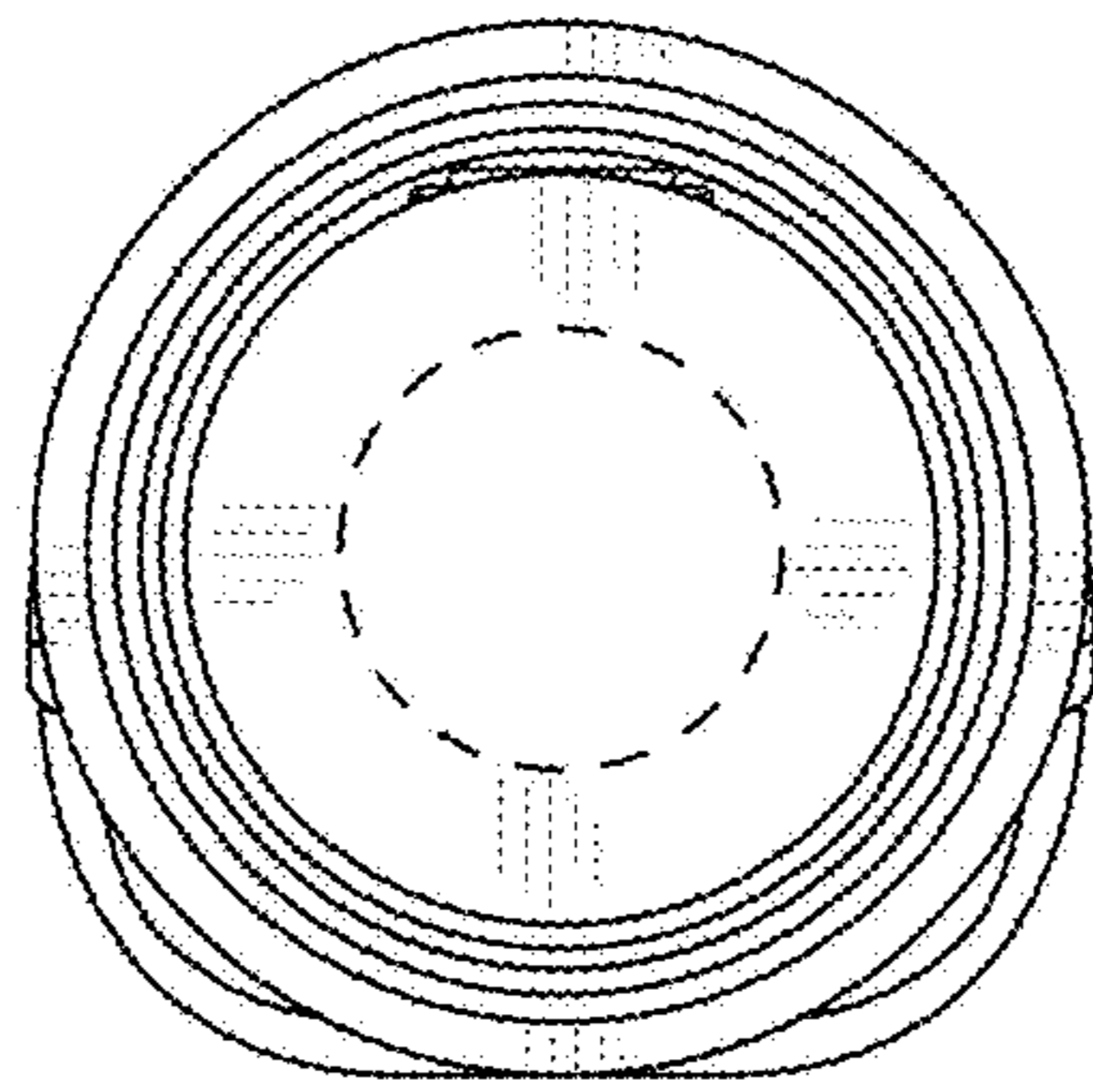


FIG. 7