



US00D936900S

(12) **United States Design Patent** (10) **Patent No.:** **US D936,900 S**  
**Langberg et al.** (45) **Date of Patent:** **\*\* Nov. 23, 2021**

- (54) **HAIR REMOVAL APPARATUS**
- (71) Applicant: **Church & Dwight Co., Inc.**, Princeton, NJ (US)
- (72) Inventors: **Eric Langberg**, Milford, PA (US); **Aaron Szymanski**, Thomaston, CT (US)
- (73) Assignee: **Church & Dwight Co., Inc.**, Princeton, NJ (US)
- (\*\*) Term: **15 Years**
- (21) Appl. No.: **29/770,387**
- (22) Filed: **Feb. 11, 2021**

4,037,322 A	7/1977	Bresler
4,083,102 A	4/1978	Harshberger
D276,562 S	11/1984	Mizobata et al.
4,744,144 A	5/1988	Lowery, Sr.
4,819,330 A	4/1989	Fenn et al.
4,914,816 A	4/1990	Fenn et al.
D311,971 S	11/1990	Faerber
5,007,169 A	4/1991	Motta
D361,637 S	8/1995	Miskin
5,579,581 A	12/1996	Melton
5,606,799 A	3/1997	Melton
D437,661 S	2/2001	Pinchuk
D506,034 S	6/2005	Cornelissen
6,966,116 B2	11/2005	Peter et al.
7,028,405 B2	4/2006	Paas et al.
7,103,980 B2	9/2006	Leventhal
7,325,311 B2	2/2008	Shimizu
7,464,471 B2	12/2008	Fukutani et al.
D593,254 S	5/2009	Tamsiran
7,654,003 B2	2/2010	Simms et al.
D646,438 S	10/2011	Leventhal et al.
8,136,250 B2	3/2012	Floescholzer
8,141,254 B2	3/2012	Shimizu
8,458,908 B2	6/2013	Fischer et al.
8,590,162 B2	11/2013	Park et al.
D758,016 S	5/2016	Andersson
D758,661 S	6/2016	Andersson
D758,662 S	6/2016	De Klein
9,381,655 B2	7/2016	Lau
9,950,435 B2	4/2018	Binder
D824,106 S	7/2018	Teteak
D824,107 S	7/2018	Teteak
D827,933 S	9/2018	Teteak
D828,627 S	9/2018	Szymanski et al.
10,081,114 B2	9/2018	Sablatschan
D836,247 S	12/2018	Van Maanen et al.
D849,325 S	5/2019	Szymanski et al.
10,406,702 B2	9/2019	Vredeveld et al.
10,421,203 B2	9/2019	Perez Lopez et al.
10,434,670 B2	10/2019	Lev
10,449,682 B2	10/2019	Eijkelkamp et al.
D873,490 S	1/2020	Khubani et al.
D884,973 S	5/2020	Khubani et al.
D914,977 S *	3/2021	Szymanski ..... D28/51
D914,978 S *	3/2021	Langberg ..... D28/51
2005/0034307 A1	2/2005	Brzezinski
2008/0250645 A1	10/2008	Tringali et al.
2009/0056139 A1	3/2009	Royle
2012/0304467 A1	12/2012	Garden, Jr.
2013/0192068 A1	8/2013	Kammer et al.
2013/0312264 A1	11/2013	Cohen
2015/0158192 A1	6/2015	Tucker et al.
2016/0059428 A1	3/2016	Lau

**Related U.S. Application Data**

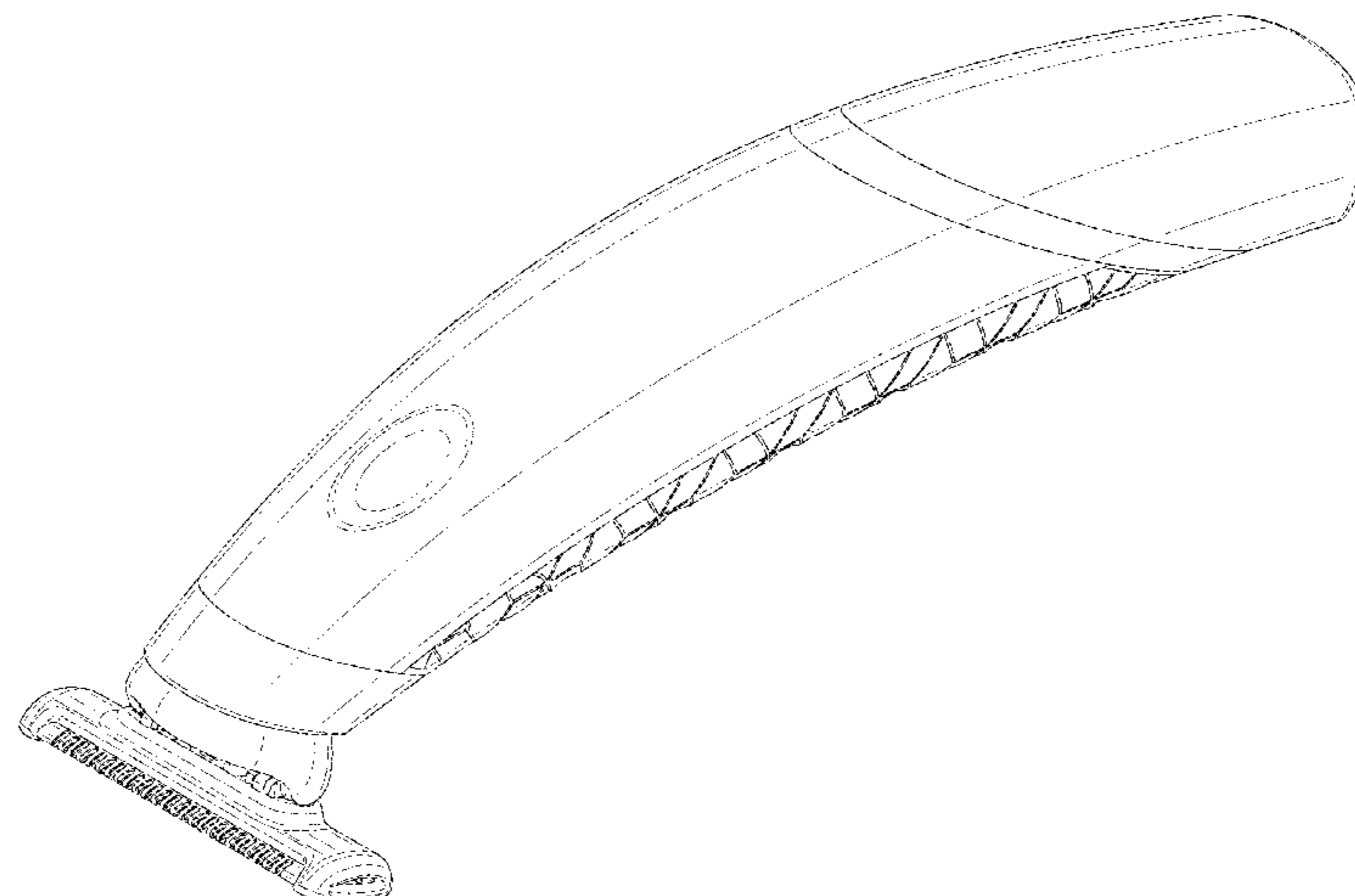
- (62) Division of application No. 29/710,018, filed on Oct. 18, 2019.
- (51) **LOC (13) Cl.** ..... **28-03**
- (52) **U.S. Cl.**  
USPC ..... **D28/51**
- (58) **Field of Classification Search**  
USPC ..... D28/49-54  
CPC ..... B26B 19/00-08; B26B 19/10-12; B26B 19/20-24; B26B 19/26-265; B26B 19/38-3826; B26B 19/3873-3893; B26B 19/42

See application file for complete search history.

**References Cited**

**U.S. PATENT DOCUMENTS**

2,141,582 A	12/1938	Wimberger
2,151,965 A	3/1939	Hanley
2,181,038 A	11/1939	Wimberger
2,251,577 A	8/1941	Rand, Jr.
2,609,602 A	9/1952	Harshberger
3,144,714 A	8/1964	Beisma
3,274,682 A	9/1966	Worthington
D219,699 S	1/1971	Poisson
3,636,627 A	1/1972	Tiffin
D230,219 S	1/1974	Glaberson et al.



2016/0271814	A1	9/2016	Bennik et al.	EP	3 131 716	6/2018
2017/0008182	A1	1/2017	Tucker et al.	EP	3 142 834	7/2018
2017/0144319	A1	5/2017	Sablatschan	EP	3 240 658	8/2018
2017/0173804	A1*	6/2017	Worth ..... B26B 19/04	EP	3 388 207	10/2018
2018/0085951	A1	3/2018	Krauss et al.	EP	3 388 208	10/2018
2018/0104834	A1	4/2018	Zuidervaart et al.	EP	3 388 209	10/2018
2018/0257248	A1	9/2018	Wu	EP	3 409 432	12/2018
2018/0326602	A1	11/2018	Khubani et al.	EP	3 415 288	12/2018
2019/0176355	A1	6/2019	Mazarakis et al.	EP	2 857 154	2/2019
2019/0299453	A1	10/2019	Bourque et al.	EP	3 052 279	2/2019
2019/0299466	A1	10/2019	Goeder et al.	EP	3 052 280	3/2019
2019/0299473	A1	10/2019	Johnson et al.	EP	3 450 119	3/2019
2019/0299474	A1	10/2019	Bourque et al.	EP	3 461 602	4/2019
2019/0299477	A1	10/2019	Johnson et al.	EP	3 466 619	4/2019
2019/0315006	A1	10/2019	Park et al.	EP	3 052 277	5/2019
2020/0061856	A1*	2/2020	Musallam ..... B26B 19/046	EP	3 164 249	5/2019
2020/0376695	A1*	12/2020	Feijen ..... B26B 19/3846	EP	3 131 712	6/2019
2021/0023729	A1*	1/2021	Langberg ..... B26B 19/3873	EP	3 071 374	8/2019
				EP	3 288 727	9/2019
				EP	3 194 125	11/2019
				EP	3 261 810	4/2020
				EP	3 297 797	4/2020
				JP	H06-154435	6/1994
				JP	D160618	4/2018
				JP	D1642657	9/2019
				WO	WO 2018/068353	4/2018
				WO	WO 2018/157113	8/2018
				WO	WO 2018/227319	12/2018
				WO	WO 2019/018104	1/2019
				WO	WO 2019/110335	6/2019

FOREIGN PATENT DOCUMENTS

CH	229244	10/1943
CN	204263191	4/2015
CN	205111905	3/2016
CN	206066504	4/2017
CN	106808504	6/2017
CN	107088895	8/2017
CN	107186759	9/2017
CN	304276517	9/2017
CN	206633052	11/2017
CN	304428668	12/2017
CN	206869919	1/2018
CN	206869923	1/2018
CN	206913195	1/2018
CN	304561859	3/2018
CN	304561861	3/2018
CN	207273272	4/2018
CN	207402820	5/2018
CN	207824944	9/2018
CN	208051971	11/2018
CN	208246876	12/2018
CN	109366531	2/2019
CN	109822627	5/2019
CN	208812155	5/2019
CN	104647417	6/2019
CN	109866258	6/2019
CN	209175783	7/2019
CN	110091364	8/2019
CN	110154093	8/2019
CN	110154094	8/2019
CN	305368569	9/2019
CN	305377844	10/2019
CN	305377845	10/2019
CN	305394347	10/2019
DE	20 2016 10099	3/2016
EM	006276119-0001	3/2019
EM	006542189-0001	9/2019
EM	006542619-0001	9/2019
EP	1 763 422	11/2007
EP	1 644 162	5/2008
EP	1 732 736	12/2008
EP	1 866 129	11/2009
EP	1 963 057	3/2011
EP	1 536 928	1/2012
EP	2 227 359	2/2013
EP	2 875 916	5/2015
EP	2 804 723	4/2016
EP	2 747 958	9/2016
EP	2 747 962	9/2016
EP	3 071 375	9/2016
EP	3 046 736	3/2017
EP	3 049 219	3/2017
EP	3 052 281	5/2017
EP	3 052 278	3/2018
EP	3 131 711	3/2018
EP	3 131 715	3/2018
EP	3 071 376	5/2018
EP	3 131 713	6/2018
EP	3 131 714	6/2018

OTHER PUBLICATIONS

<https://www.ultra.com/flawless-nu-razor?productid=pimprod2017011> Flawless Nu Razor, www.ultra.com, 1 page, reviewed as early as 6, 2020 (Year: 2020).

\* cited by examiner

*Primary Examiner* — Jennifer Rivard  
(74) *Attorney, Agent, or Firm* — Womble Bond Dickinson (US) LLP

(57) **CLAIM**

The ornamental design for a hair removal apparatus, as shown and described.

**DESCRIPTION**

FIG. 1 is a front perspective view of an embodiment of a hair removal apparatus of the present invention showing our new design;  
FIG. 2 is a front view thereof;  
FIG. 3 is a rear view thereof;  
FIG. 4 is a side view thereof;  
FIG. 5 is another side view thereof;  
FIG. 6 is a top plan view thereof;  
FIG. 7 is a bottom plan view thereof;  
FIG. 8 is a front perspective view of another embodiment of a hair removal apparatus of the present invention showing our new design;  
FIG. 9 is a front view thereof;  
FIG. 10 is a rear view thereof;  
FIG. 11 is a side view thereof;  
FIG. 12 is another side view thereof;  
FIG. 13 is a top plan view thereof;  
FIG. 14 is a bottom plan view thereof;  
FIG. 15 is a front perspective view of another embodiment of a hair removal apparatus of the present invention showing our new design;

FIG. 16 is a front view thereof;  
FIG. 17 is a rear view thereof;  
FIG. 18 is a side view thereof;  
FIG. 19 is another side view thereof;  
FIG. 20 is a top plan view thereof;  
FIG. 21 is a bottom plan view thereof;  
FIG. 22 is a front perspective view of another embodiment of a hair removal apparatus of the present invention showing our new design;  
FIG. 23 is a front view thereof;  
FIG. 24 is a rear view thereof;  
FIG. 25 is a side view thereof;  
FIG. 26 is another side view thereof;  
FIG. 27 is a top plan view thereof;  
FIG. 28 is a bottom plan view thereof;  
FIG. 29 is a front perspective view of another embodiment of a hair removal apparatus of the present invention showing our new design;  
FIG. 30 is a front view thereof;  
FIG. 31 is a rear view thereof;  
FIG. 32 is a side view thereof;  
FIG. 33 is another side view thereof;  
FIG. 34 is a top plan view thereof; and,  
FIG. 35 is a bottom plan view thereof.  
The broken lines shown herein depict portions of the hair removal apparatus that form no part of the claimed design.

**1 Claim, 30 Drawing Sheets**

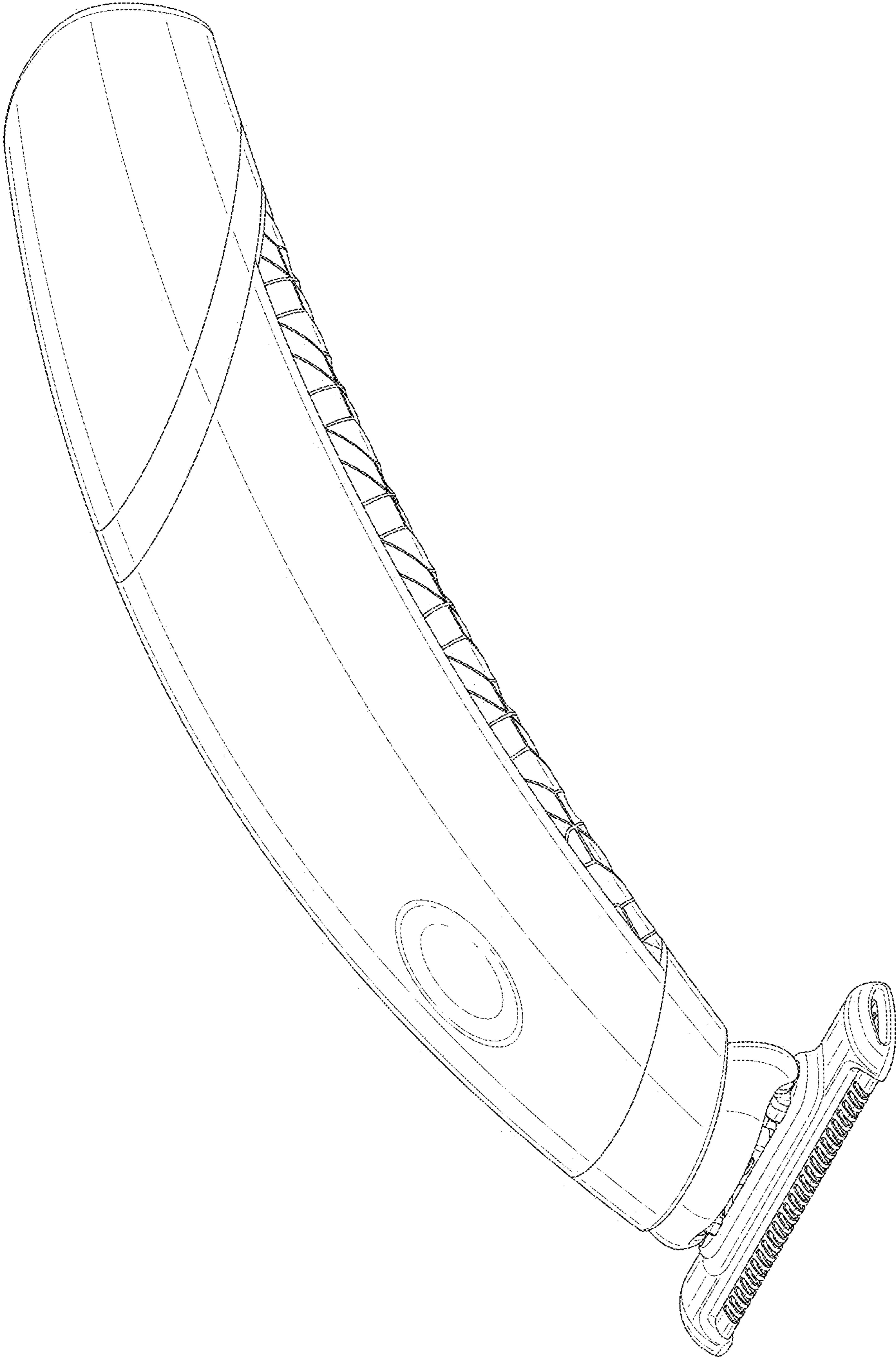


FIG. 1

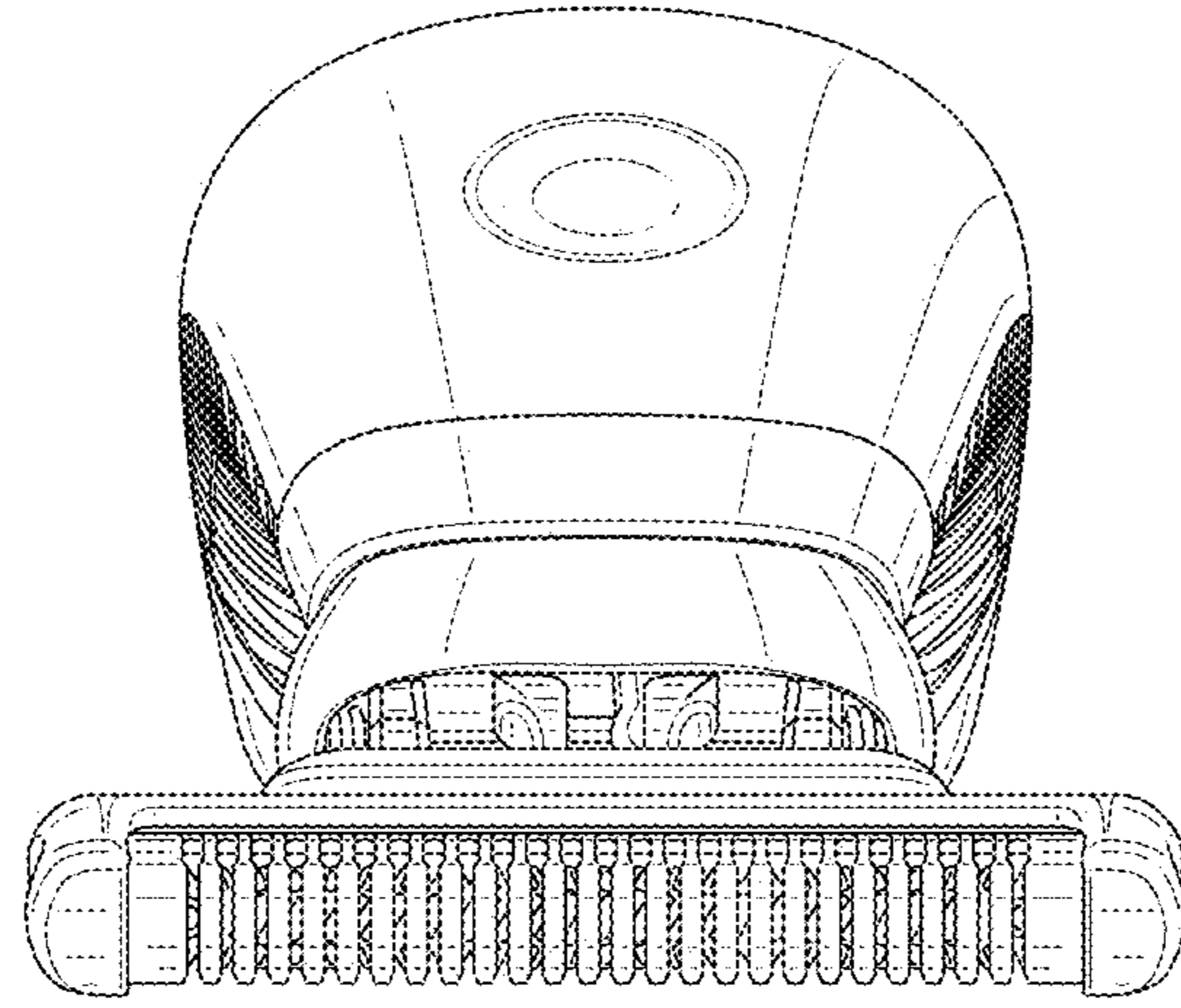


FIG. 2

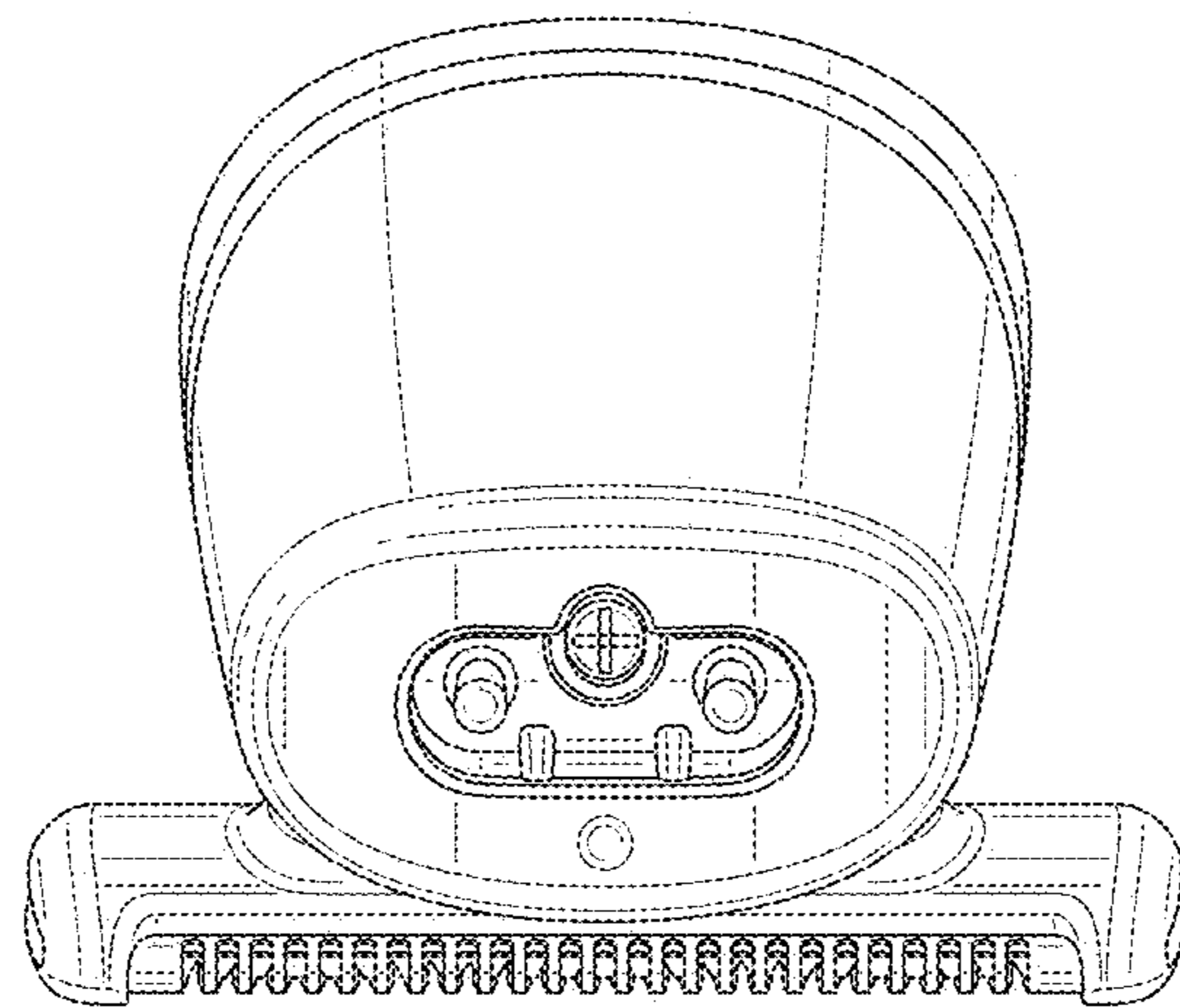


FIG. 3

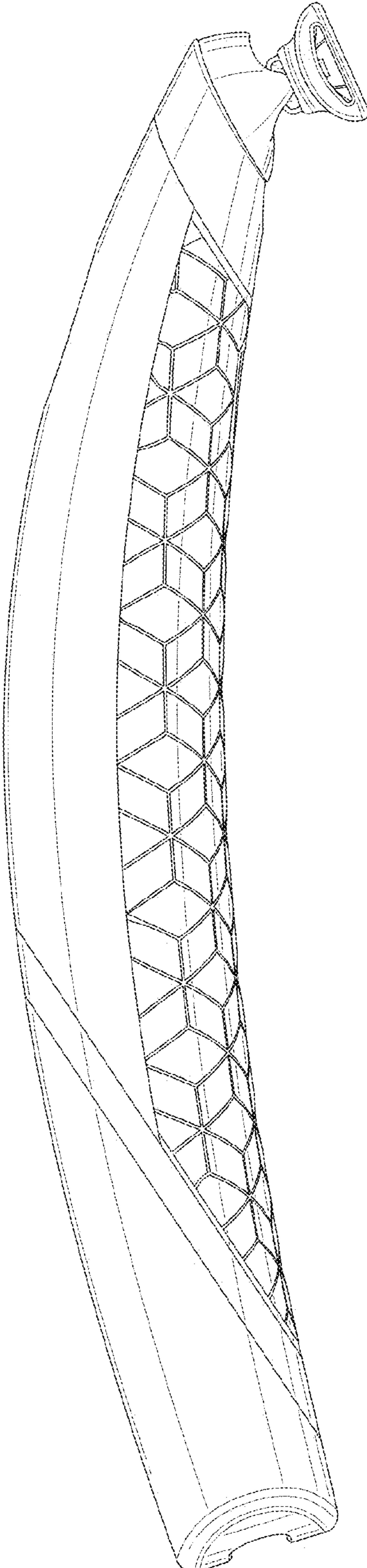


FIG. 4

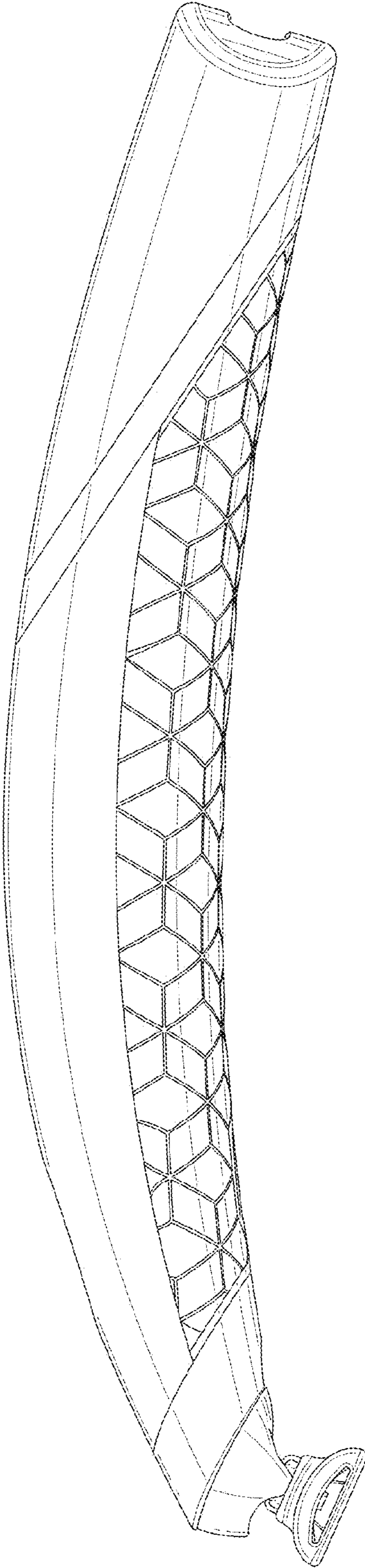


FIG. 5

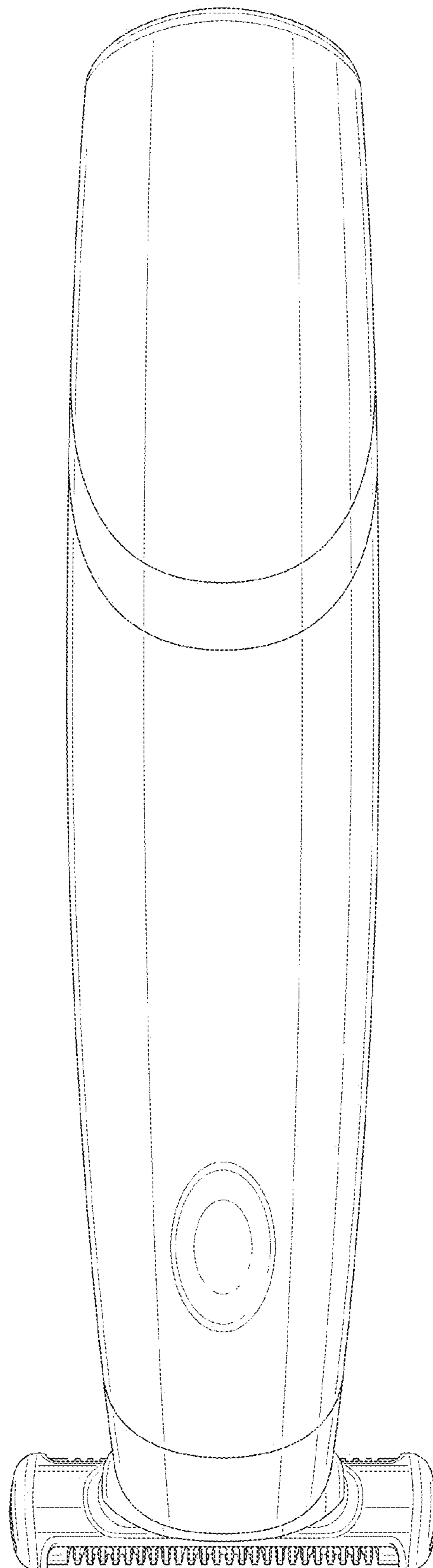


FIG. 6



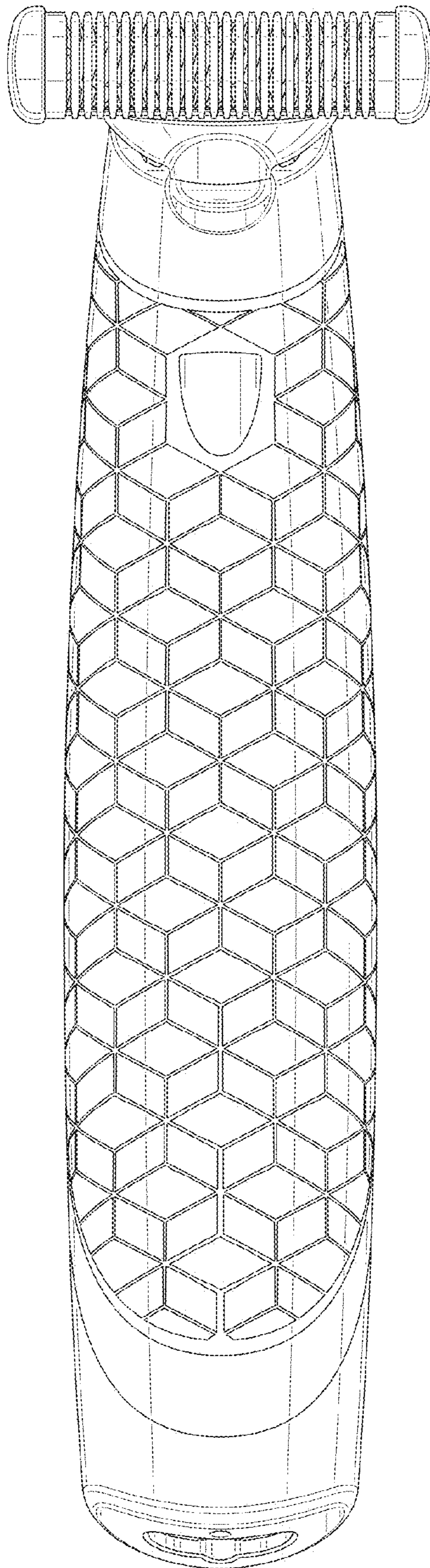


FIG. 7

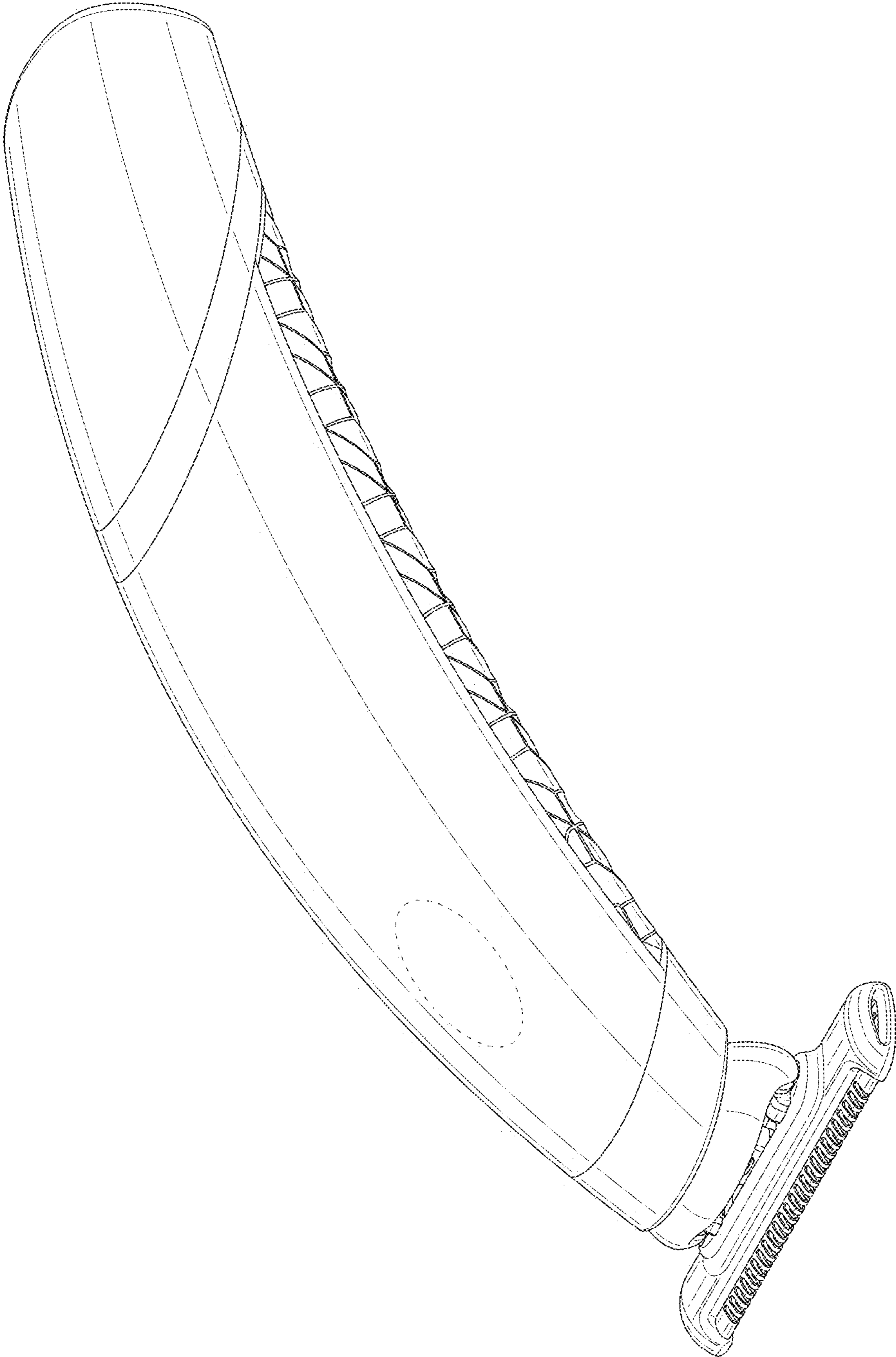


FIG. 8

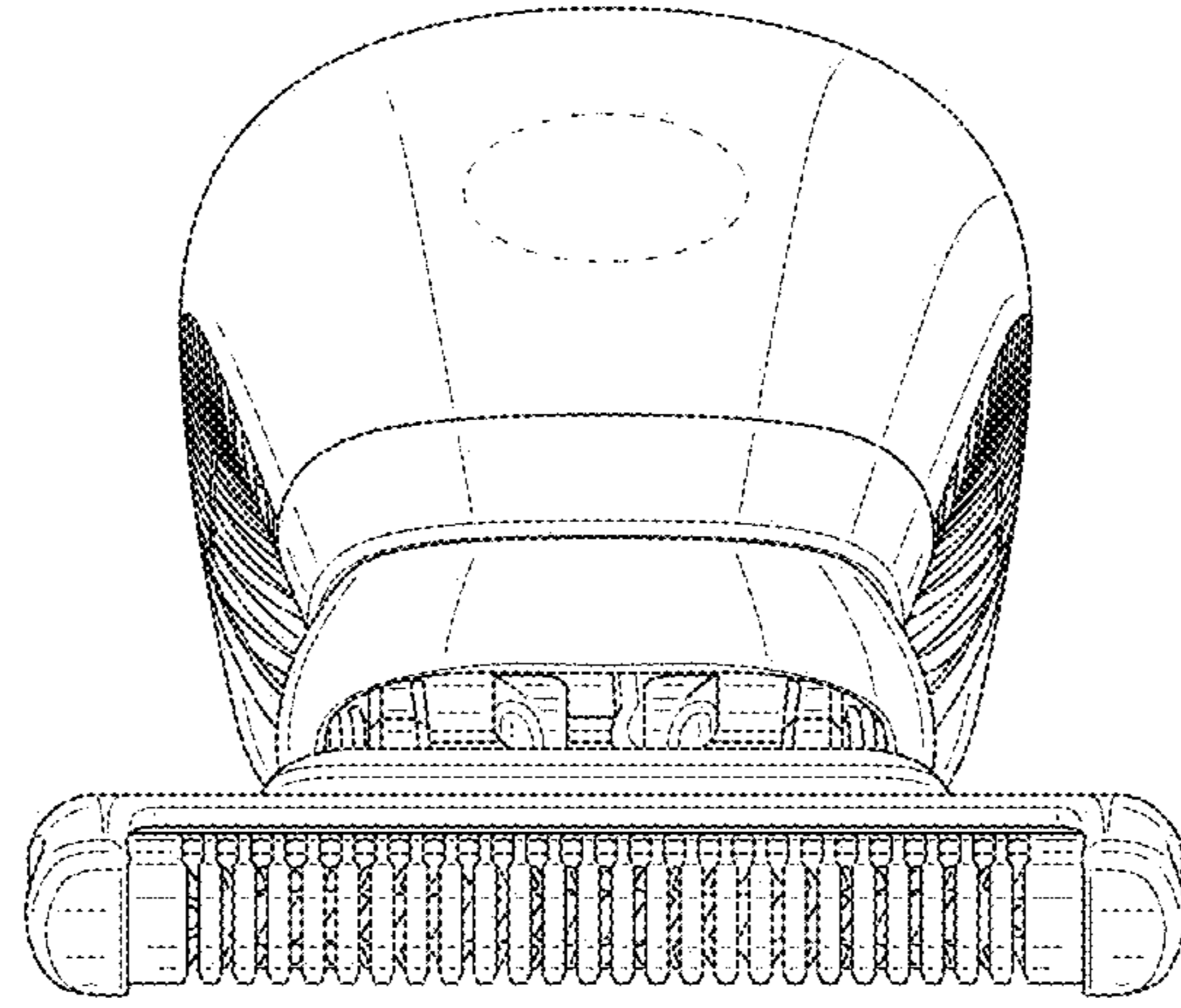


FIG. 9

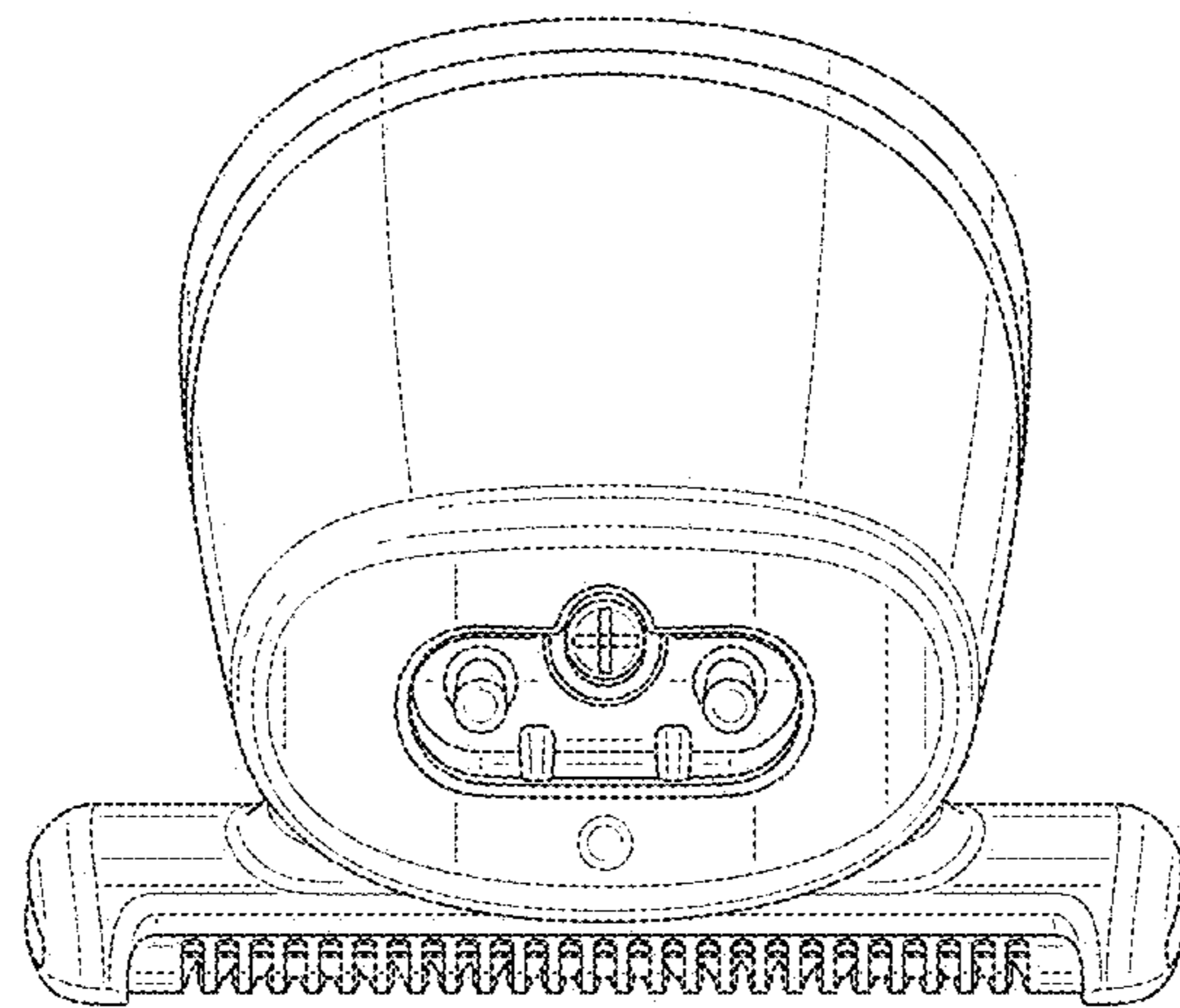


FIG. 10

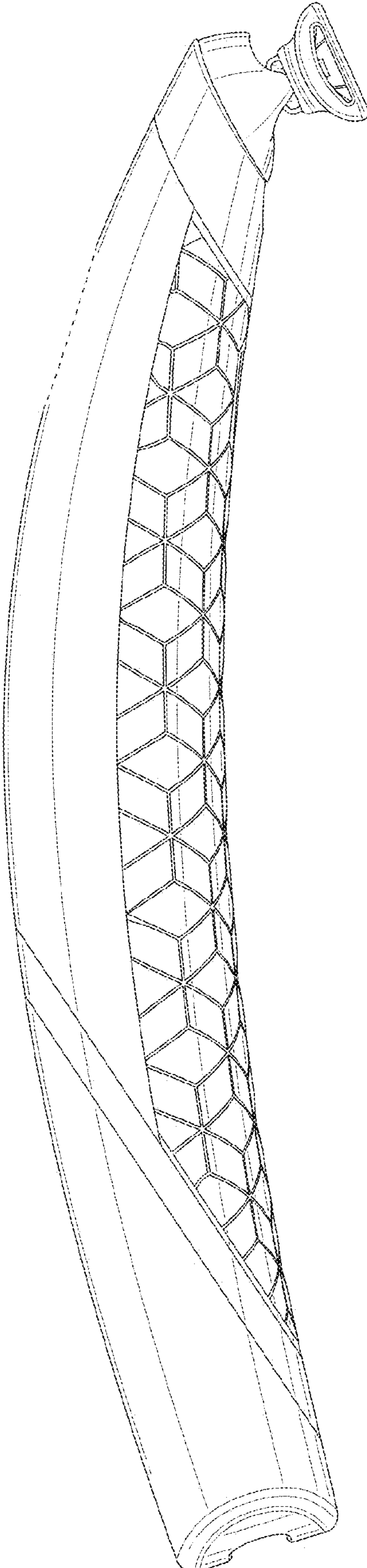


FIG. 11

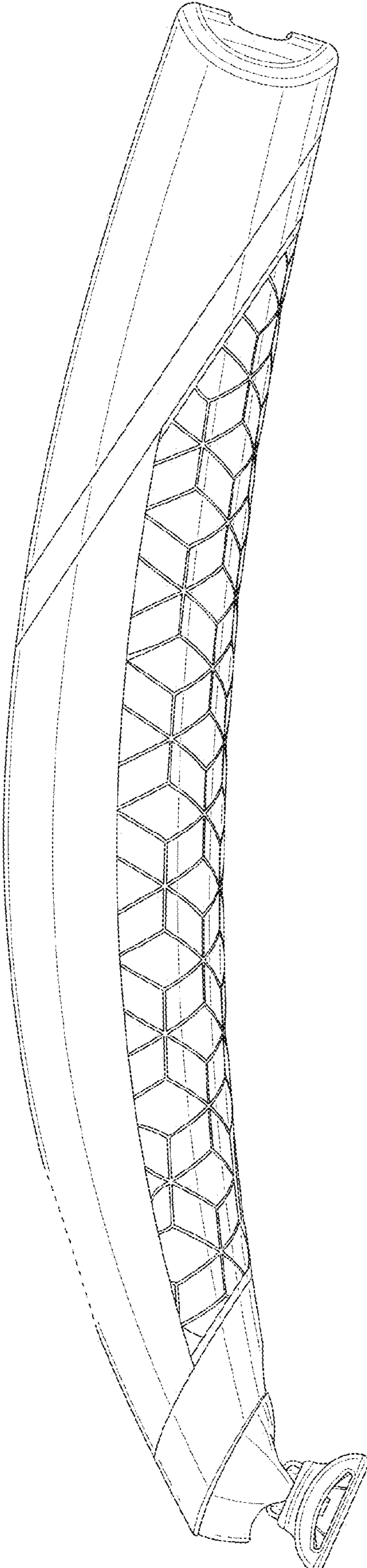


FIG. 12

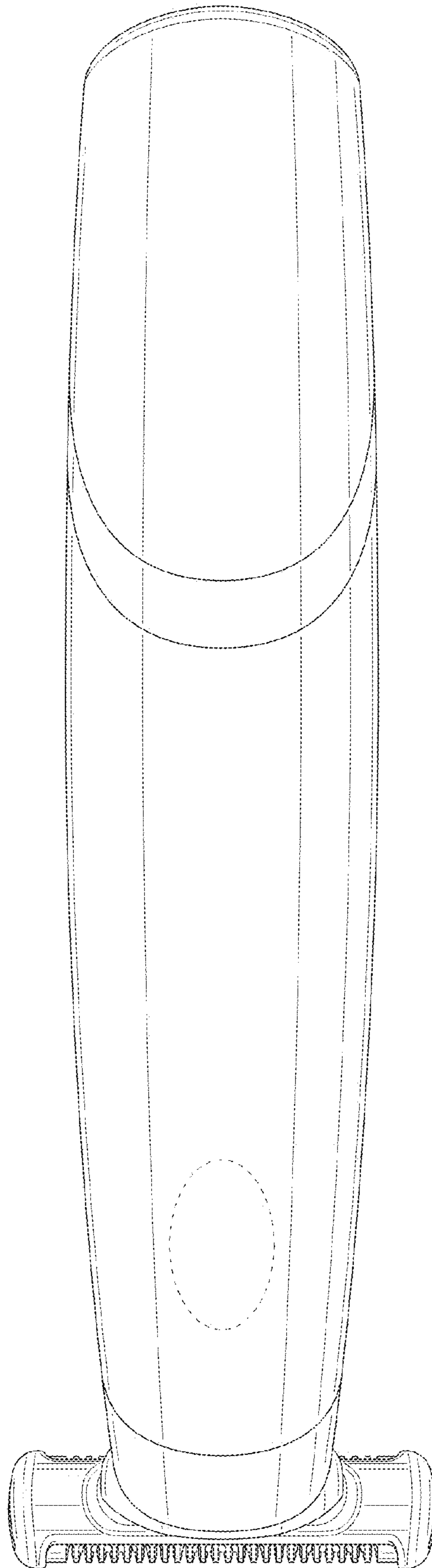


FIG. 13

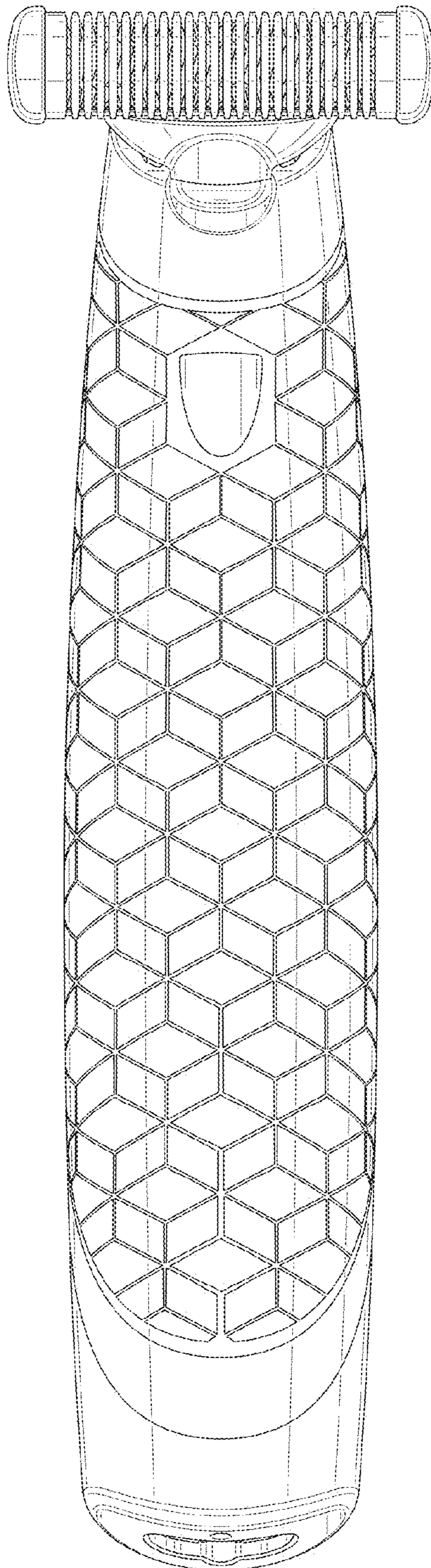


FIG. 14

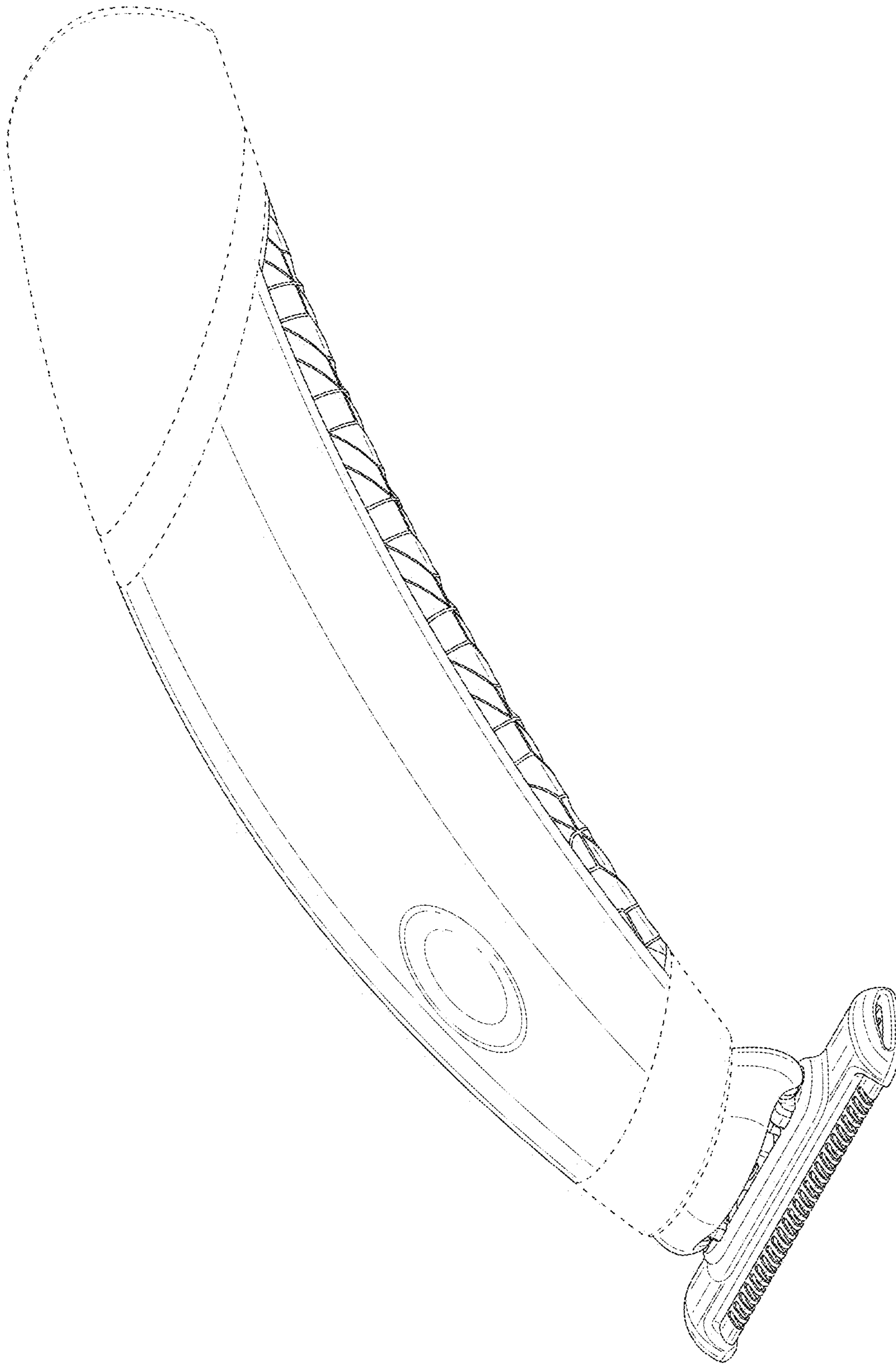


FIG. 15



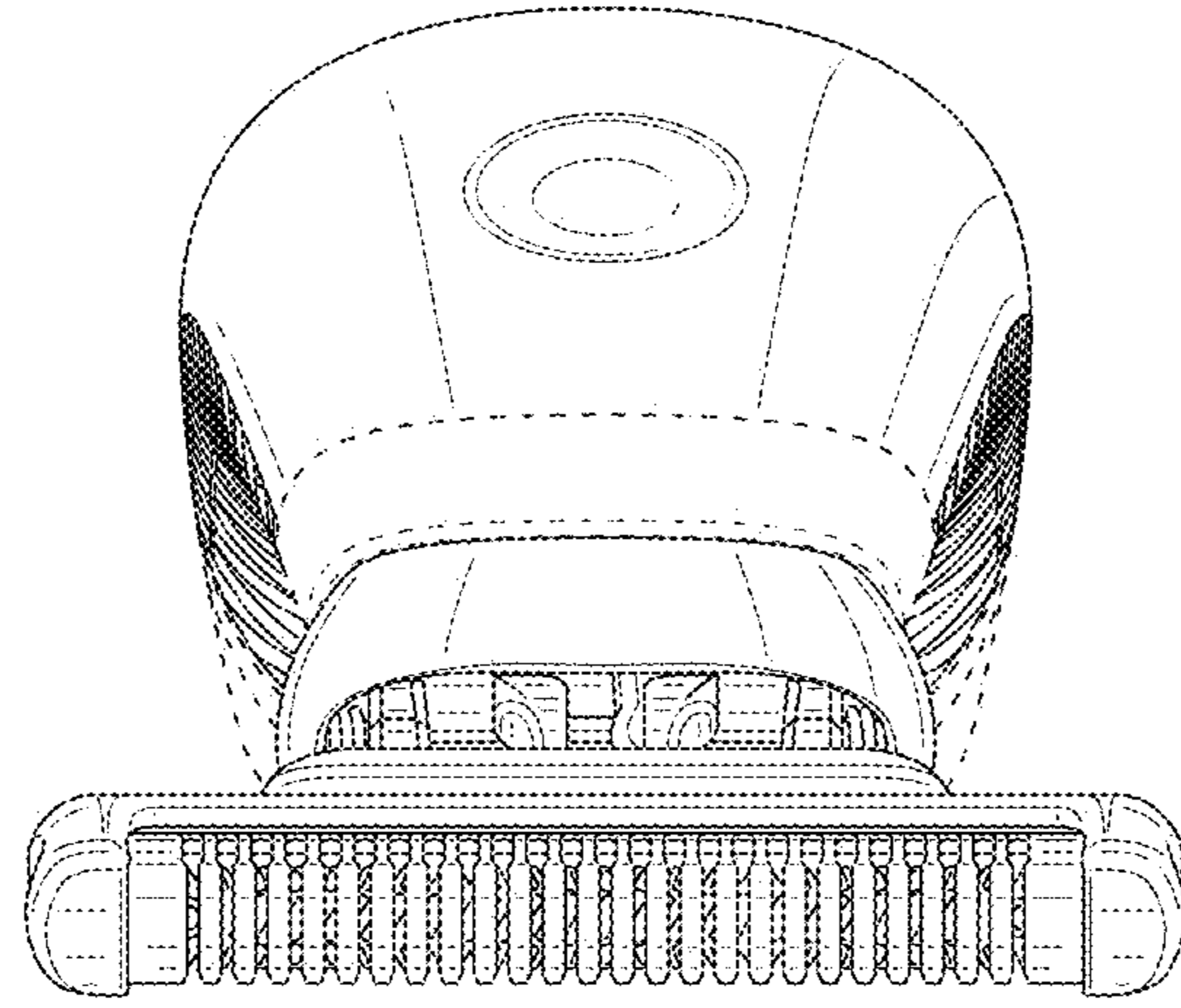


FIG. 16

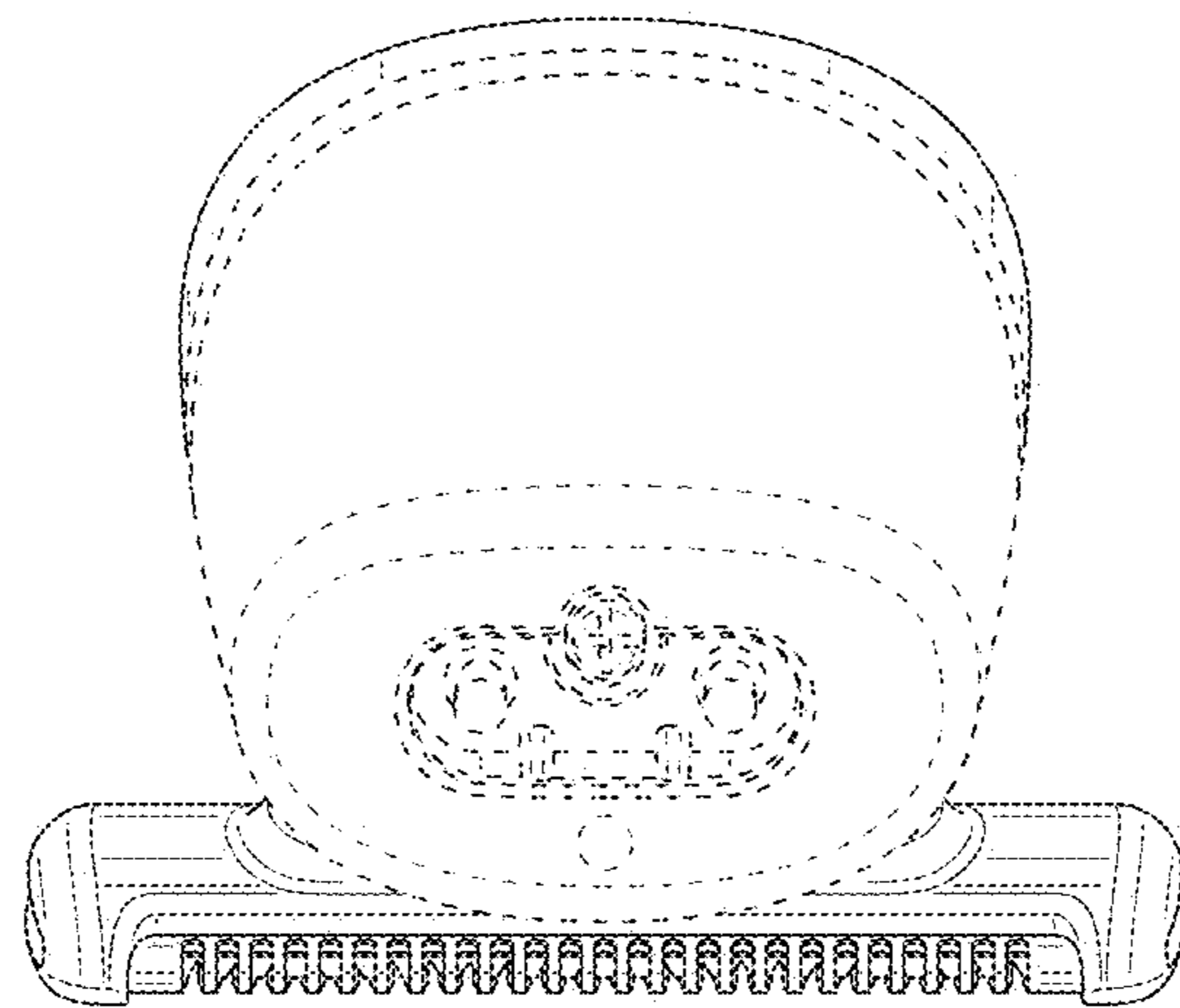


FIG. 17

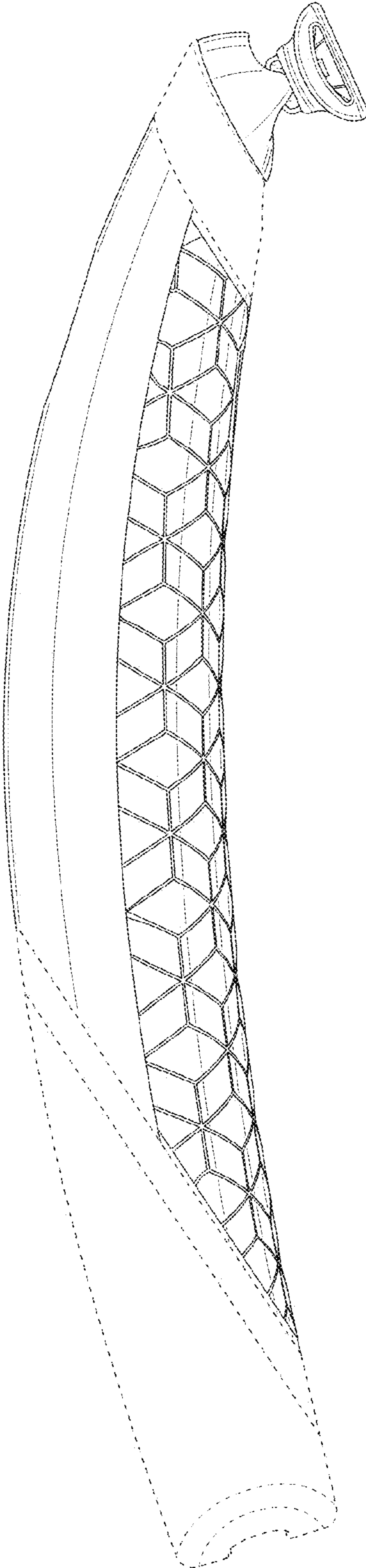


FIG. 18

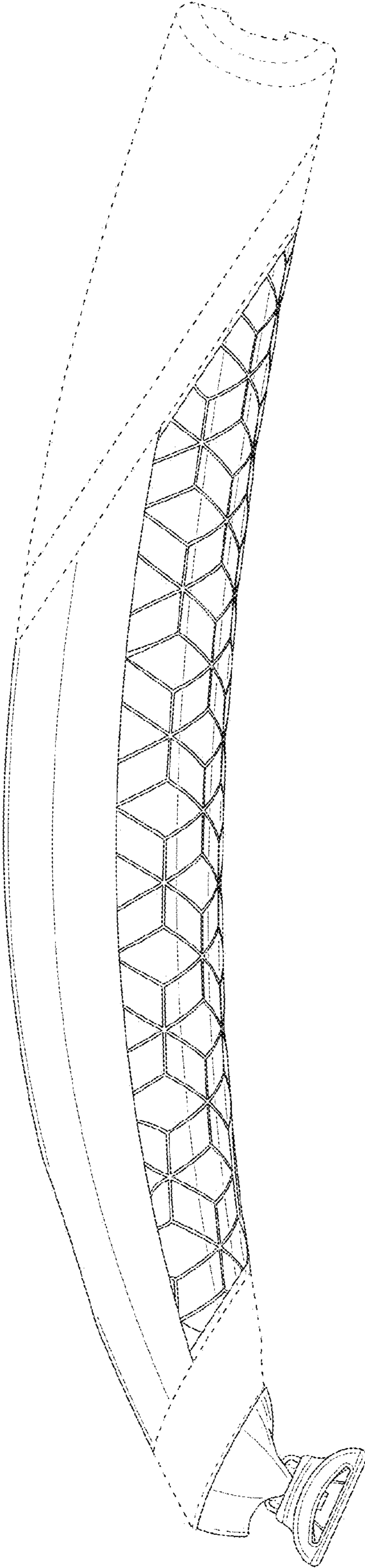


FIG. 19

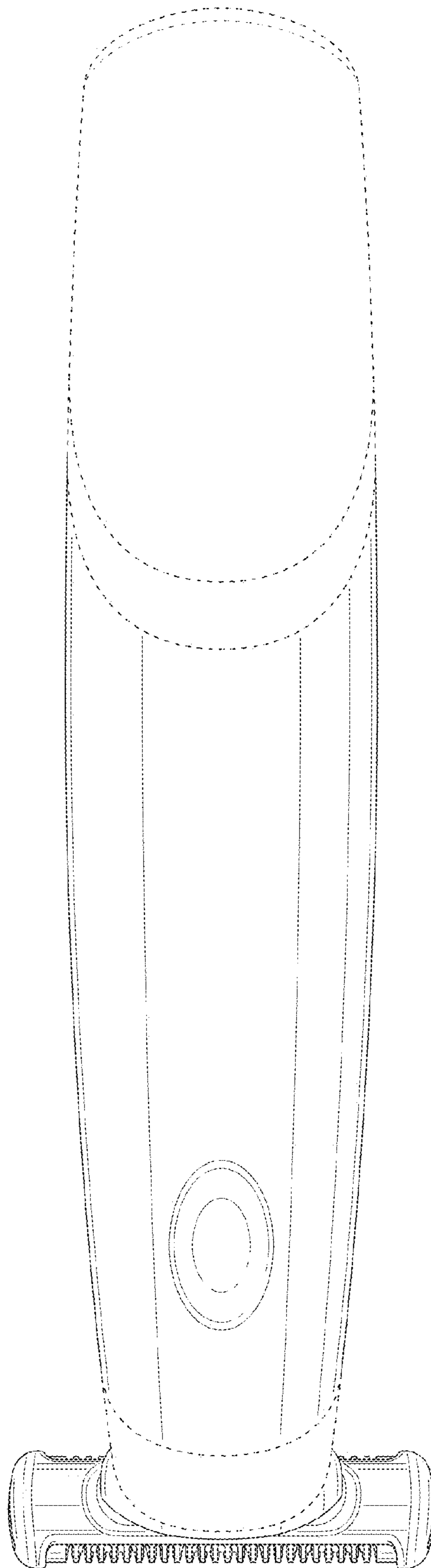


FIG. 20

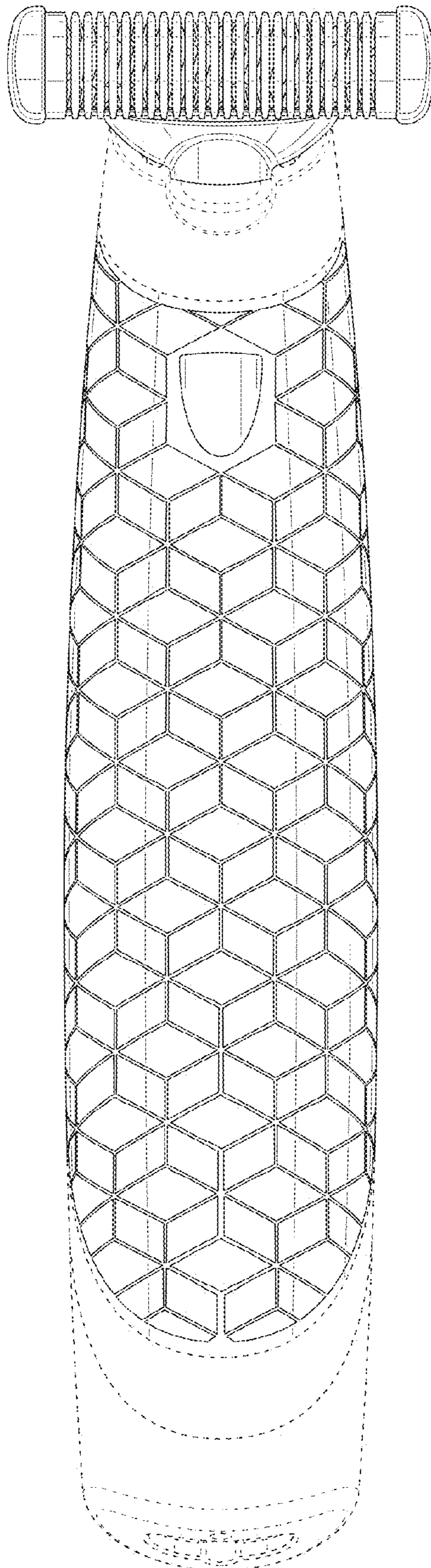


FIG. 21

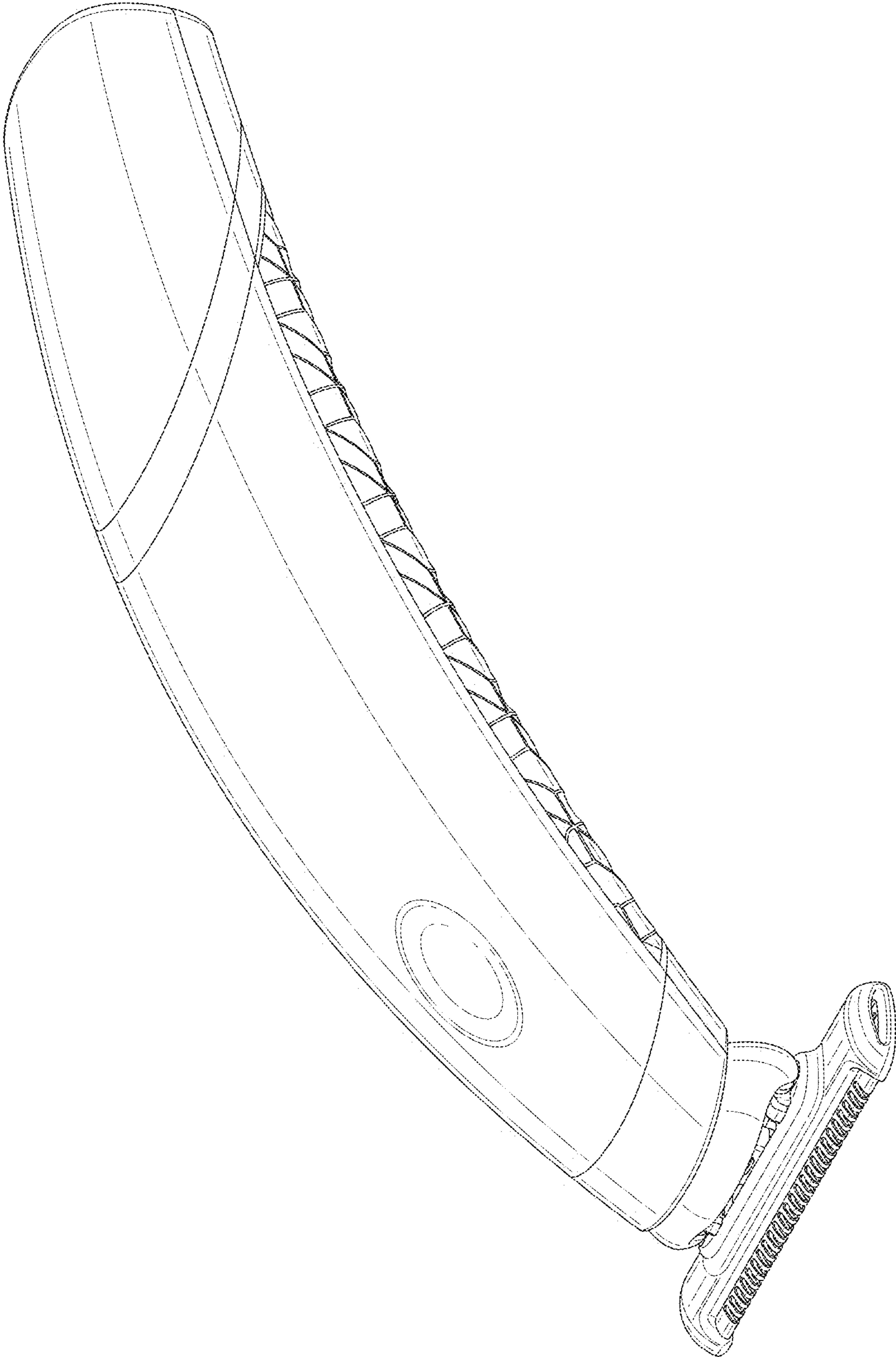


FIG. 22

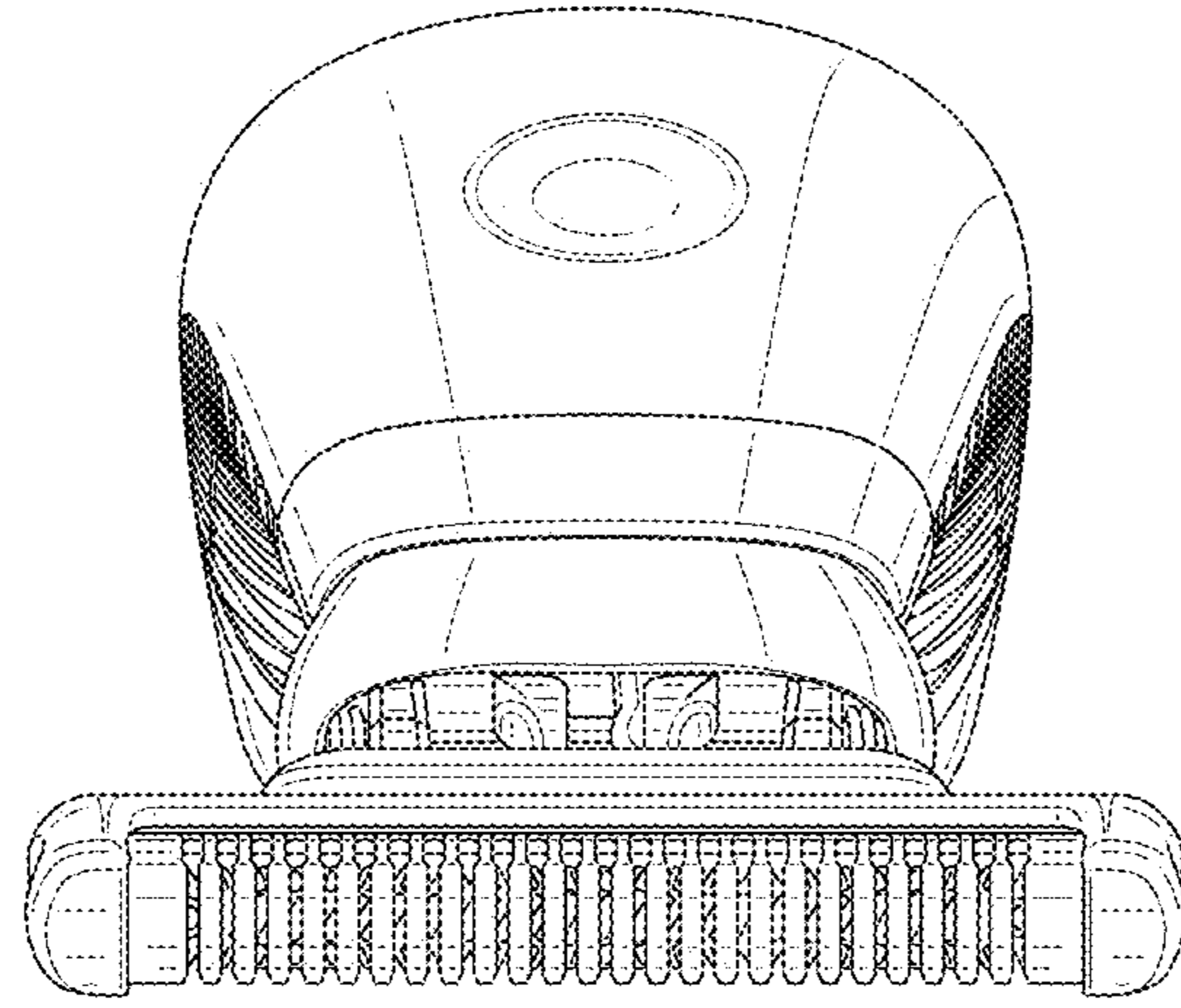


FIG. 23

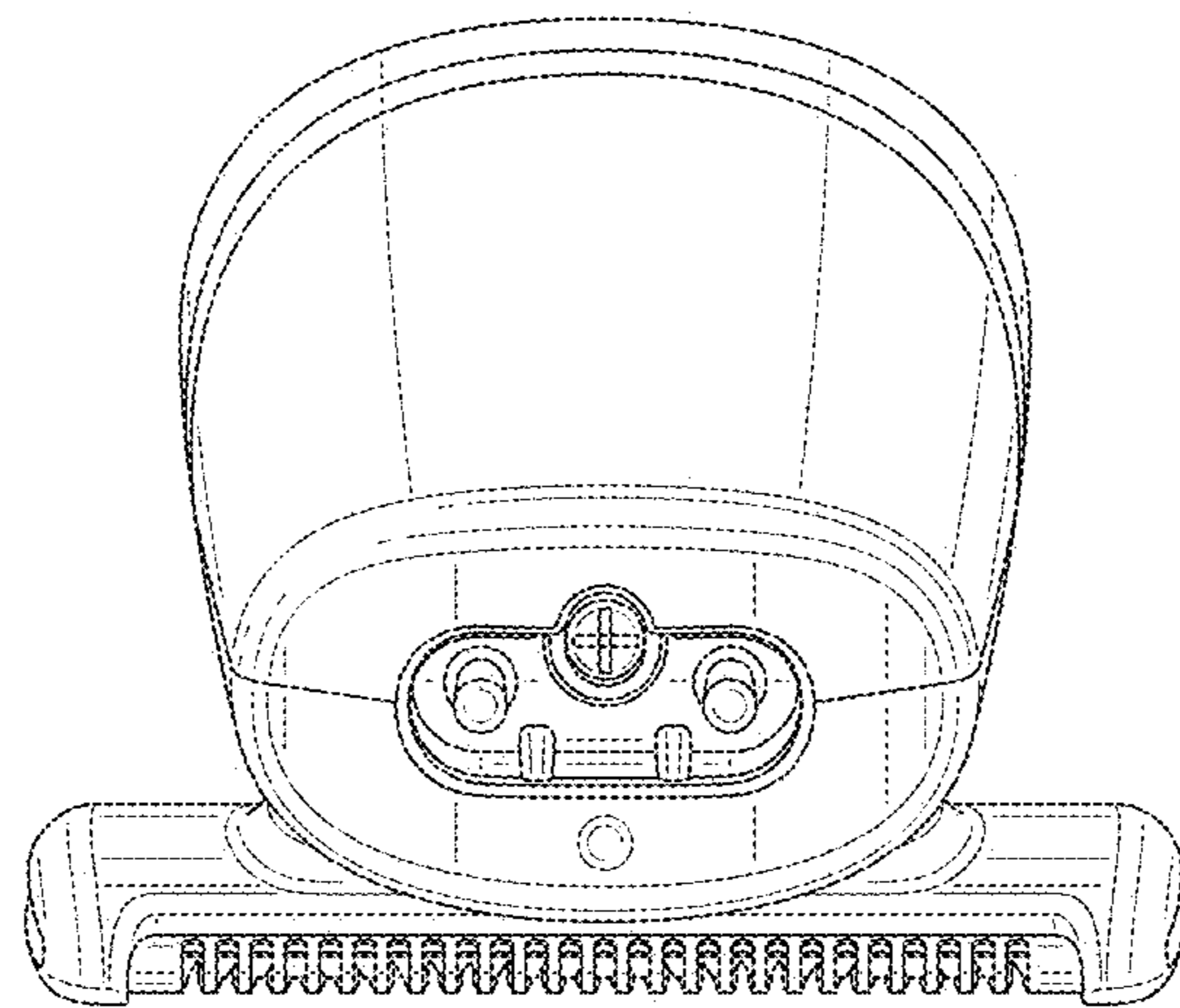


FIG. 24

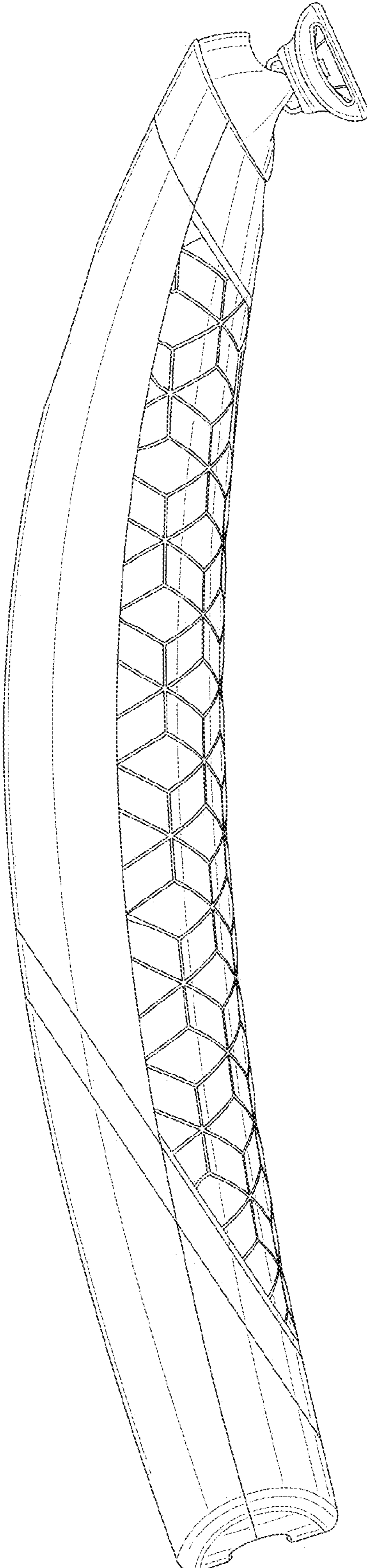


FIG. 25



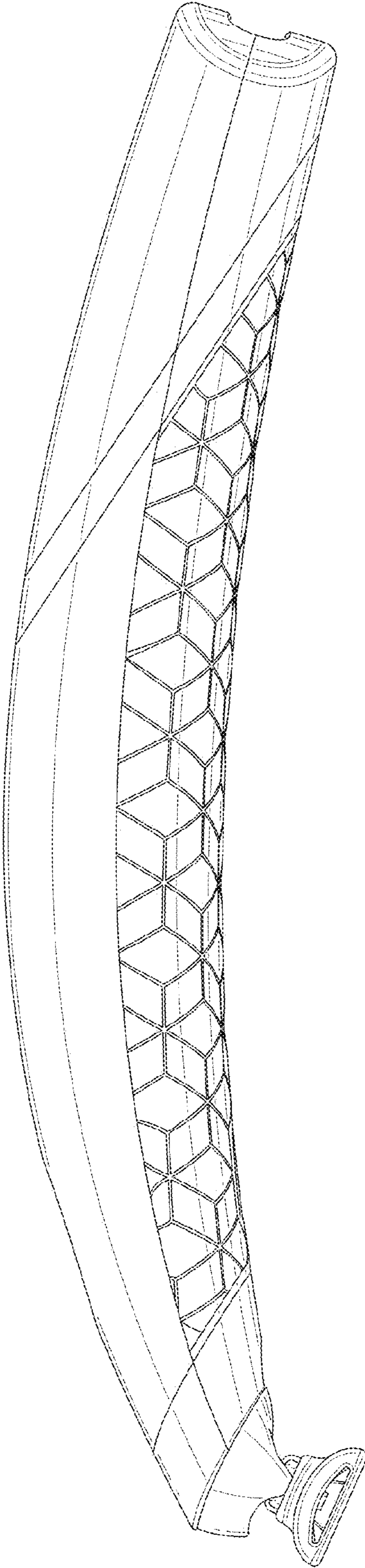


FIG. 26

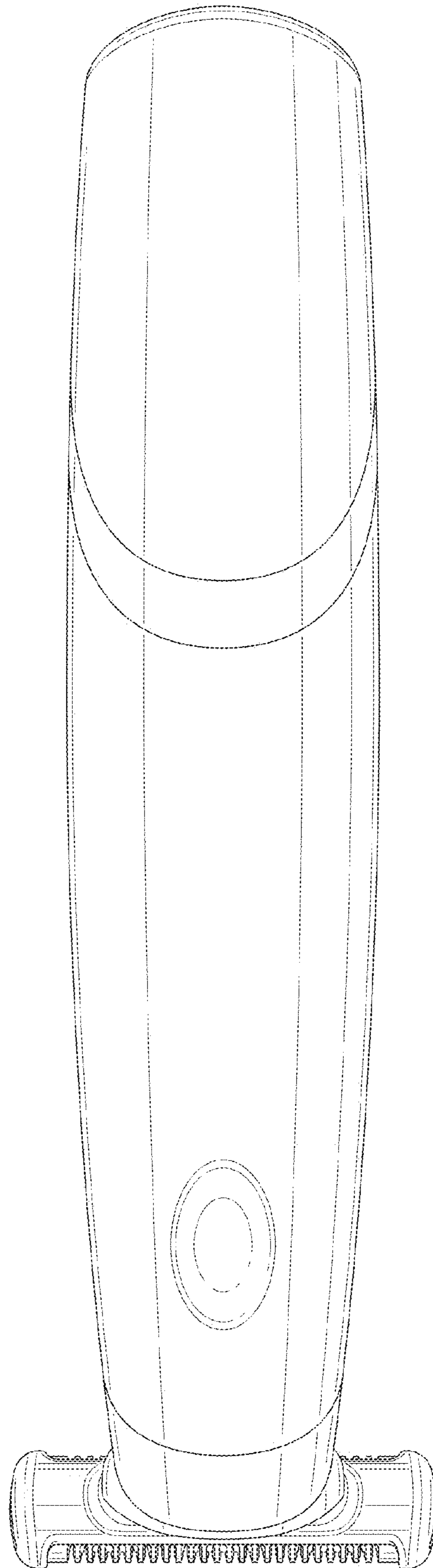


FIG. 27

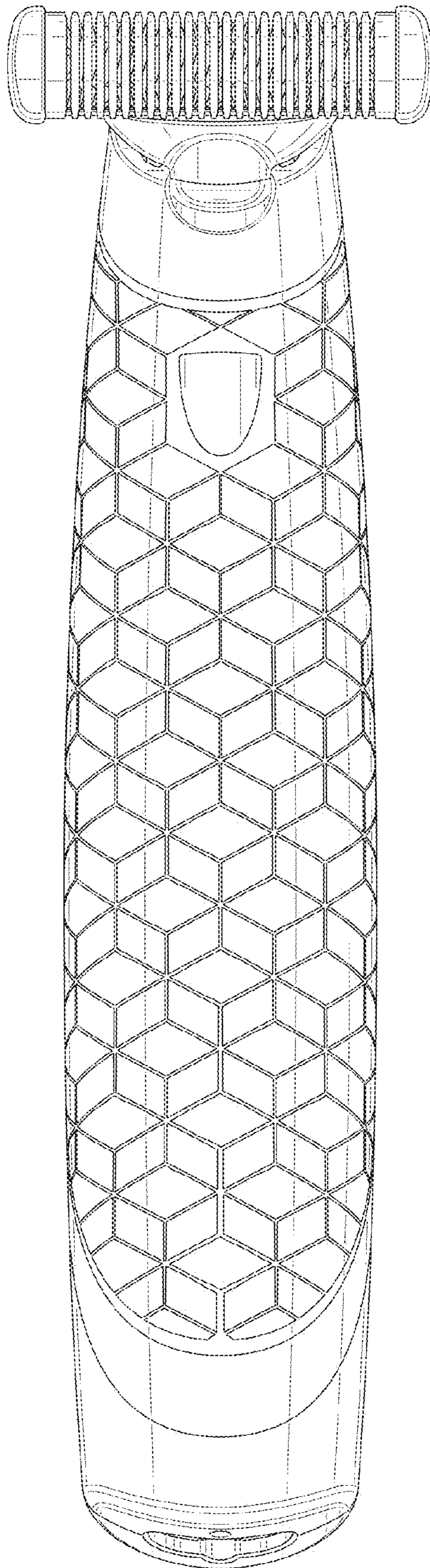


FIG. 28

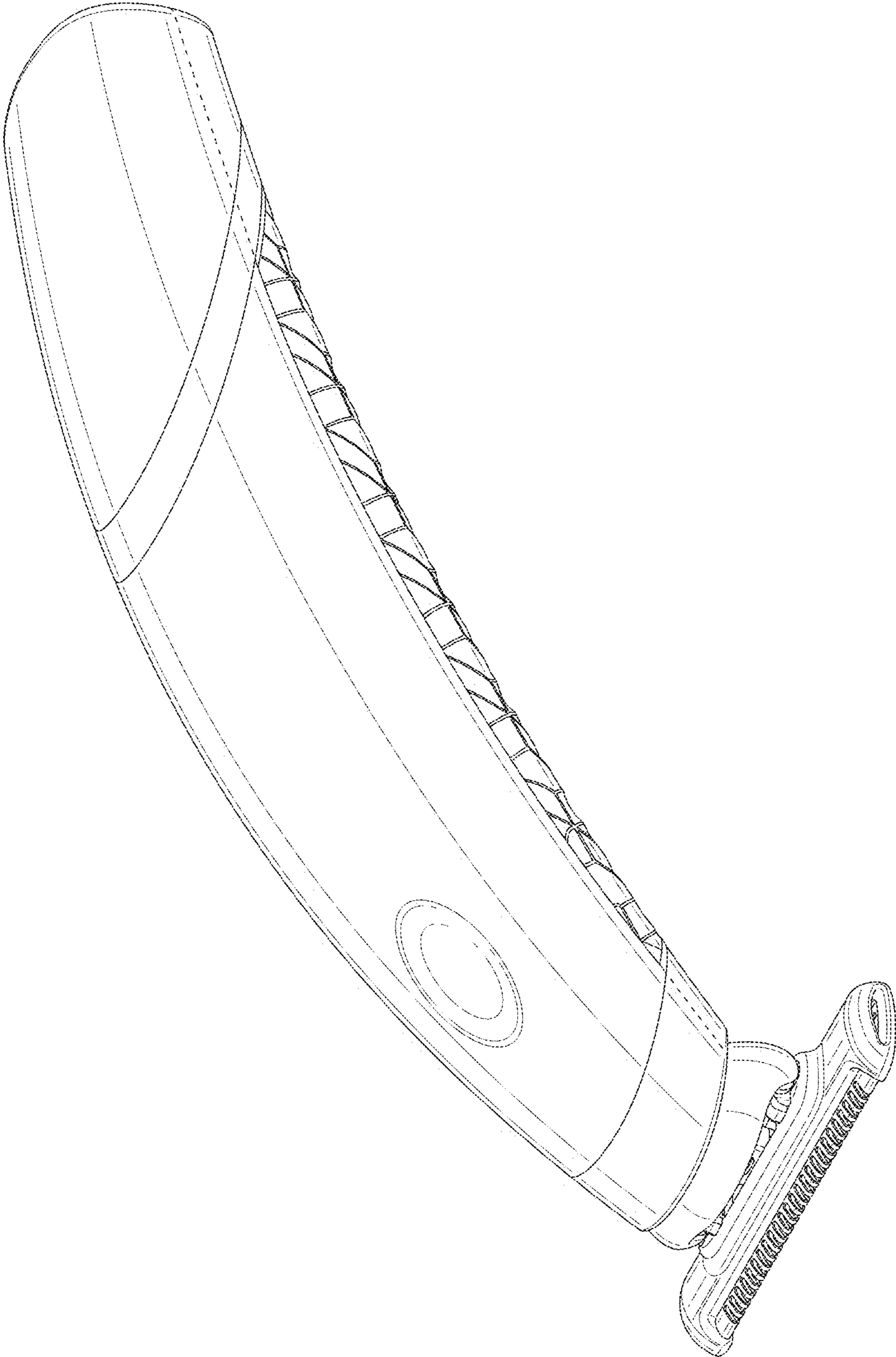


FIG. 29

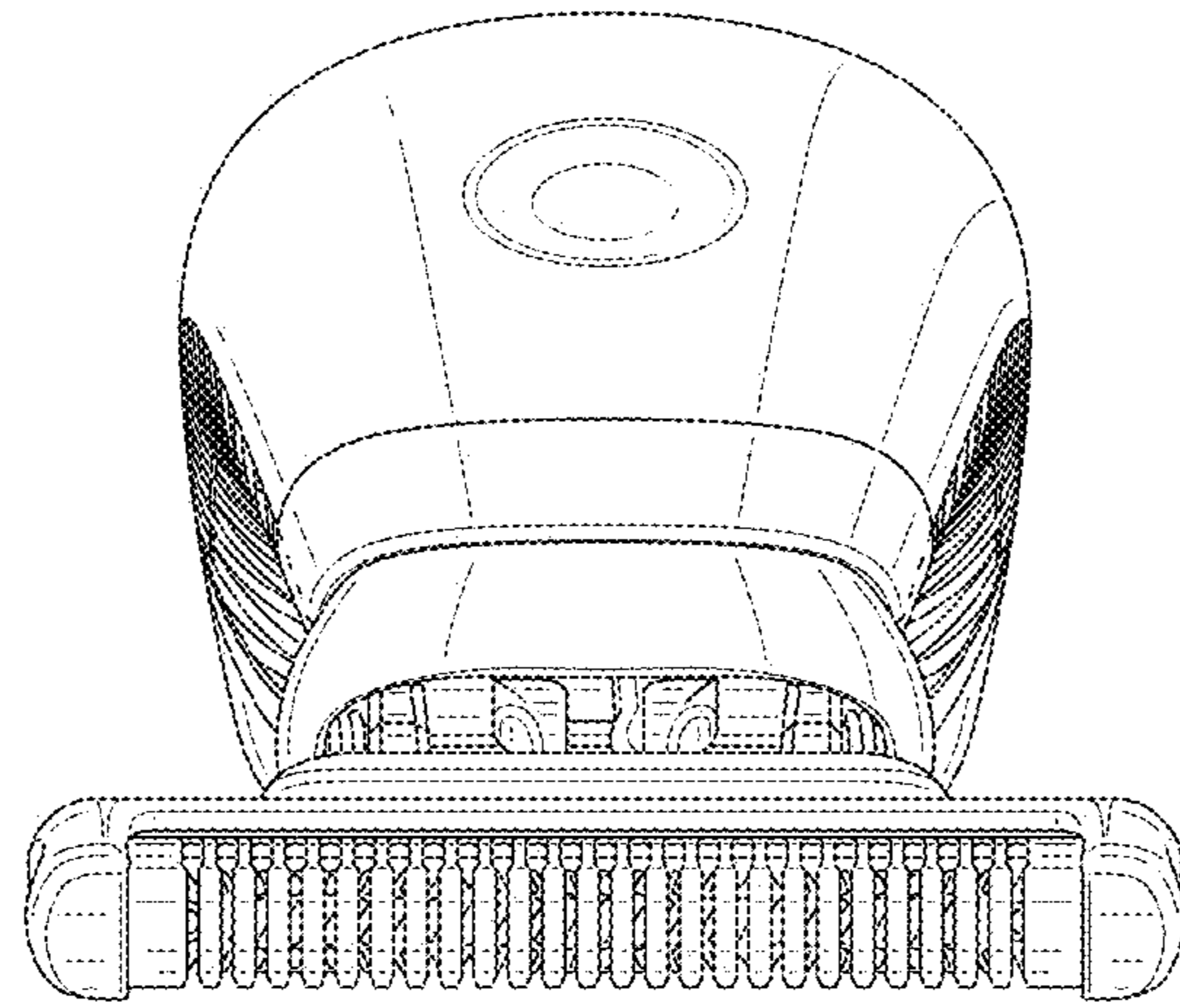


FIG. 30

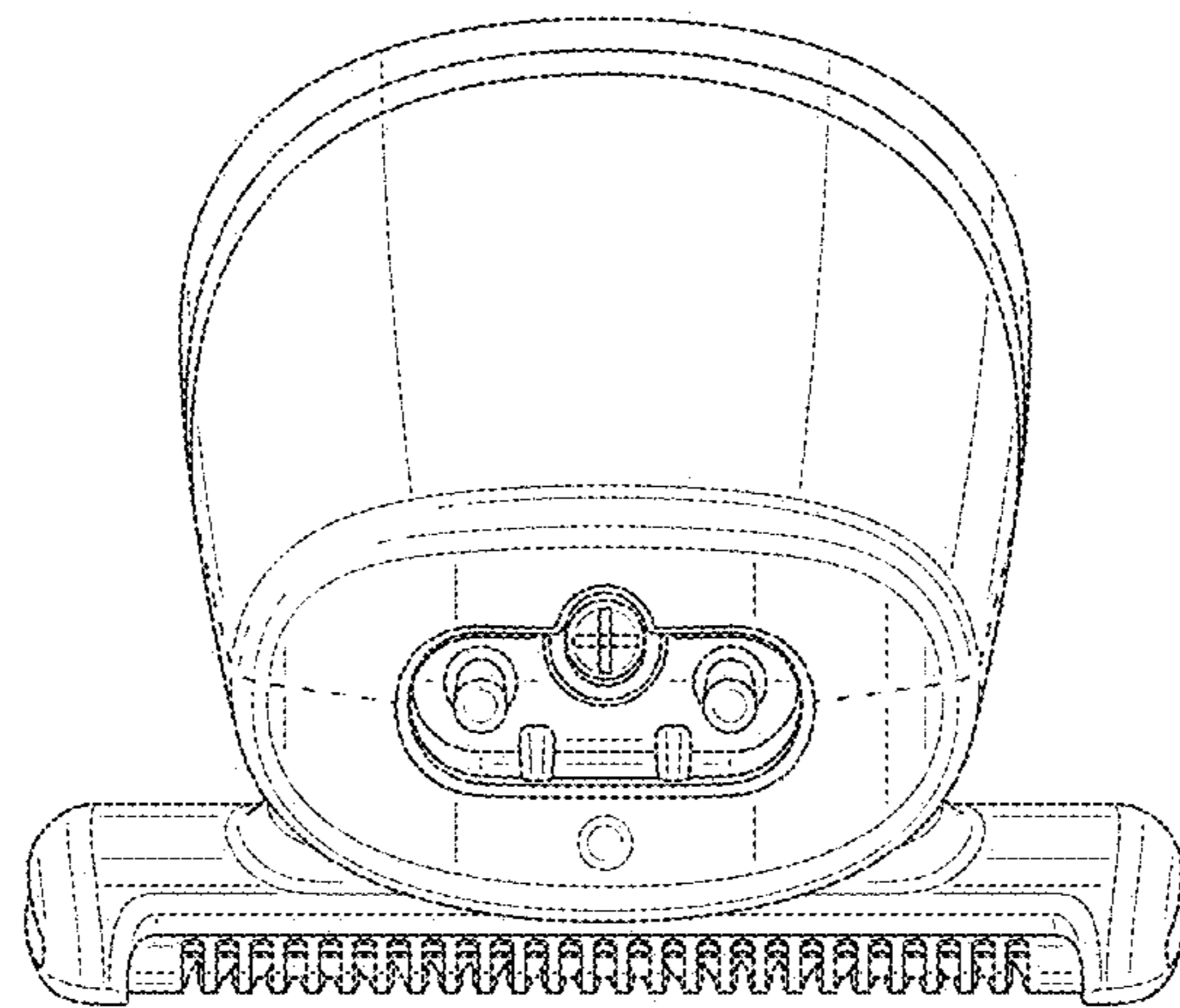


FIG. 31

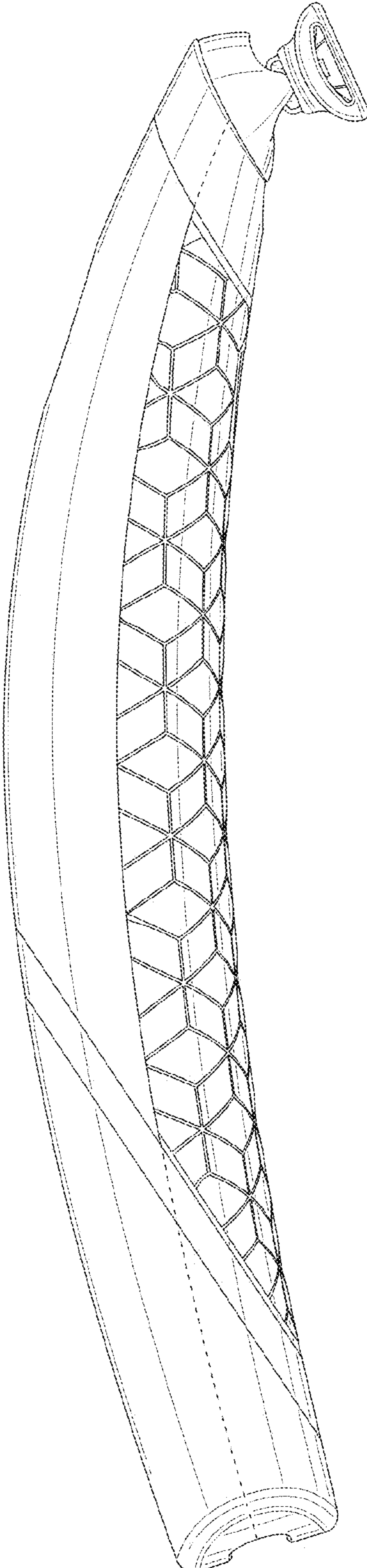


FIG. 32

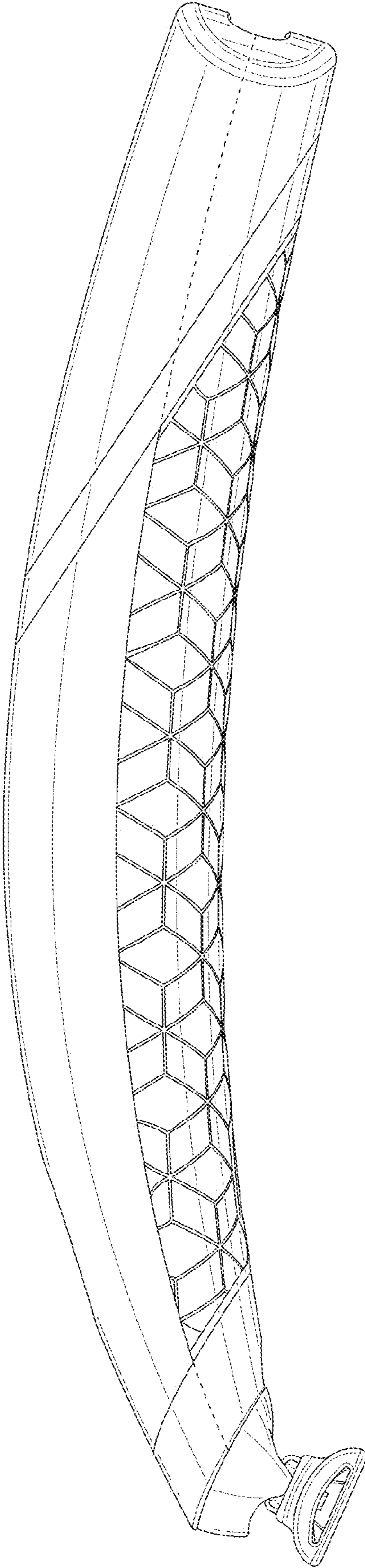


FIG. 33

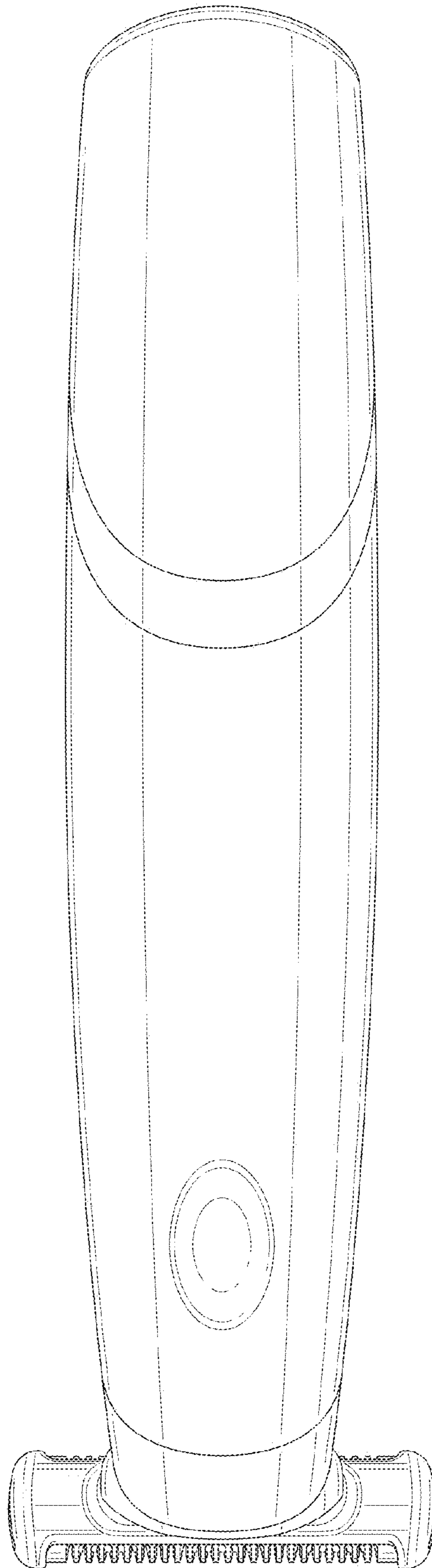


FIG. 34



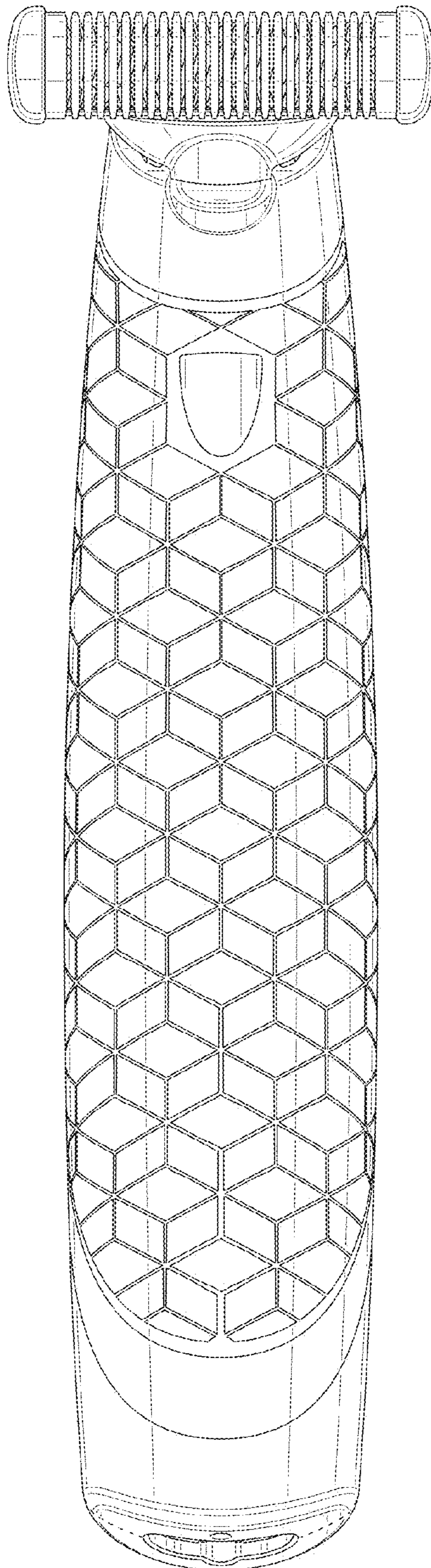


FIG. 35