

US00D936899S

(12) **United States Design Patent** (10) **Patent No.:** **US D936,899 S**
Langberg et al. (45) **Date of Patent:** **** Nov. 23, 2021**

(54) **HAIR REMOVAL APPARATUS**
(71) Applicant: **Church & Dwight Co., Inc.**, Princeton, NJ (US)
(72) Inventors: **Eric Langberg**, Milford, PA (US); **Aaron Szymanski**, Thomaston, CT (US)
(73) Assignee: **Church & Dwight Co., Inc.**, Princeton, NJ (US)

4,744,144 A 5/1988 Lowery, Sr. et al.
4,819,330 A 4/1989 Fenn et al.
4,914,816 A 4/1990 Fenn et al.
D311,971 S * 11/1990 Faerber D28/46
5,007,169 A 4/1991 Motta
(Continued)

FOREIGN PATENT DOCUMENTS

CH 229244 10/1943
CN 204263191 4/2015
(Continued)

(**) Term: **15 Years**

OTHER PUBLICATIONS

(21) Appl. No.: **29/710,018**
(22) Filed: **Oct. 18, 2019**
(51) **LOC (13) Cl.** **28-03**
(52) **U.S. Cl.**
USPC **D28/51**
(58) **Field of Classification Search**
USPC D28/49-54
CPC B26B 19/00-08; B26B 19/10-12; B26B 19/20-24; B26B 19/26-265; B26B 19/38-3826; B26B 19/3873-3893; B26B 19/42
See application file for complete search history.

<https://www.ulta.com/flawless-nu-razor?productId=pimprod2017011> Flawless Nu Razor, www.ulta.com, 1 page, reviewed as early as Jun. 2020 (Year: 2020).*

Primary Examiner — Jennifer Rivard
(74) *Attorney, Agent, or Firm* — Womble Bond Dickinson (US) LLP

(57) **CLAIM**

The ornamental design for a hair removal apparatus, as shown and described.

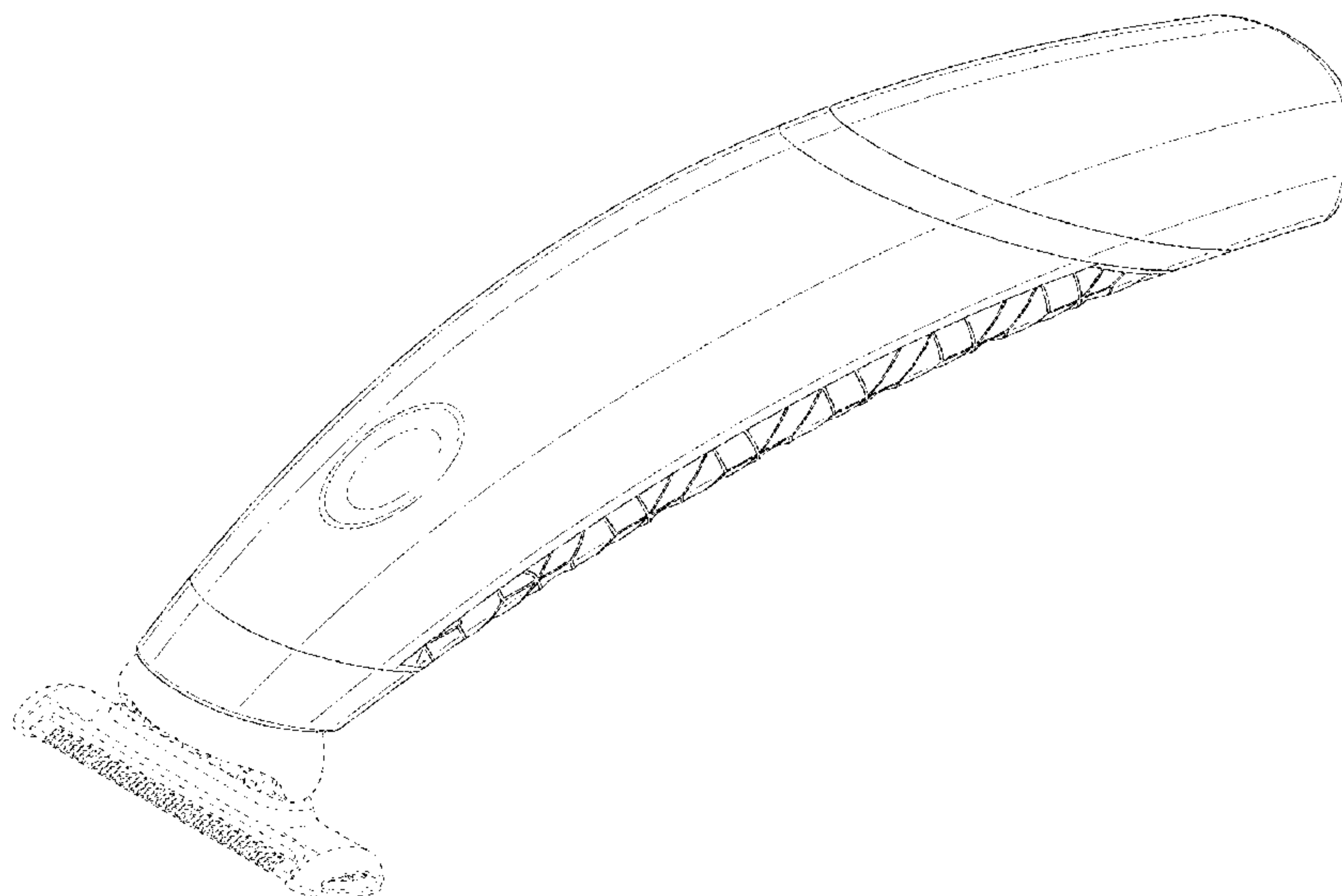
DESCRIPTION

(56) **References Cited**
U.S. PATENT DOCUMENTS

2,141,582 A 12/1938 Wimberger
2,151,965 A 3/1939 Hanley
2,181,038 A 11/1939 Wimberger
2,251,577 A 8/1941 Rand, Jr.
2,609,602 A 9/1952 Harshberger
3,144,714 A 8/1964 Beisma
3,274,682 A 9/1966 Worthington
D219,699 S * 1/1971 Poisson D28/46
3,636,627 A 1/1972 Tiffin
D230,219 S * 1/1974 Glaberson D28/48
4,037,322 A 7/1977 Bresler
4,083,102 A 4/1978 Harshberger
D276,562 S * 11/1984 Mizobata D28/49

FIG. 1 is a front perspective view of an embodiment of a hair removal apparatus of the present invention showing our new design;
FIG. 2 is a front view thereof;
FIG. 3 is a rear view thereof;
FIG. 4 is a side view thereof;
FIG. 5 is another side view rotated 180 degrees from FIG. 4;
FIG. 6 is a top plan view thereof; and,
FIG. 7 is a bottom plan view thereof.
The broken lines illustrate portions of the hair removal apparatus that form no part of the claimed design.

1 Claim, 6 Drawing Sheets



(56)

References Cited

FOREIGN PATENT DOCUMENTS

U.S. PATENT DOCUMENTS						
				CN	205111905	3/2016
				CN	206066504	4/2017
D361,637	S *	8/1995	Miskin D28/47	CN	106808504	6/2017
5,579,581	A	12/1996	Melton	CN	107088895	8/2017
5,606,799	A	3/1997	Melton	CN	107186759	9/2017
D437,661	S *	2/2001	Pinchuk D28/48	CN	304276517	9/2017
D506,034	S *	6/2005	Cornelissen D28/46	CN	206633052	11/2017
6,966,116	B2	11/2005	Peter et al.	CN	304428668	12/2017
7,028,405	B2	4/2006	Paas et al.	CN	206869919	1/2018
7,103,980	B2	9/2006	Leventhal	CN	206869923	1/2018
7,325,311	B2	2/2008	Shimizu	CN	206913195	1/2018
7,464,471	B2	12/2008	Fukutani et al.	CN	304561859	3/2018
D593,254	S *	5/2009	Tamsiran D28/51	CN	304561861	3/2018
7,654,003	B2	2/2010	Simms et al.	CN	207273272	4/2018
D646,438	S *	10/2011	Leventhal D28/51	CN	207402820	5/2018
8,136,250	B2	3/2012	Floessholzer	CN	207824944	9/2018
8,141,254	B2	3/2012	Shimizu	CN	208051971	11/2018
D657,912	S	4/2012	Yoon	CN	208246876	12/2018
8,458,908	B2	6/2013	Fischer et al.	CN	109366531	2/2019
8,590,162	B2	11/2013	Park et al.	CN	109822627	5/2019
D713,994	S	9/2014	Grabes et al.	CN	208812155	5/2019
D751,252	S	3/2016	Grabes et al.	CN	104647417	6/2019
D758,016	S *	5/2016	Andersson D28/51	CN	109866258	6/2019
D758,661	S *	6/2016	Andersson D28/51	CN	209175783	7/2019
D758,662	S *	6/2016	De Klein D28/51	CN	110091364	8/2019
9,381,655	B2	7/2016	Lau	CN	110154093	8/2019
9,950,435	B2	4/2018	Binder	CN	110154094	8/2019
D824,106	S *	7/2018	Teteak D28/53	CN	305368569	9/2019
D824,107	S *	7/2018	Teteak D28/53	CN	305377844	10/2019
D827,933	S *	9/2018	Teteak D28/53	CN	305377845	10/2019
D828,627	S *	9/2018	Szymanski D28/51	CN	305394347	10/2019
10,081,114	B2	9/2018	Sablatschan	DE	20 2016 10099	3/2016
D836,247	S *	12/2018	Van Maanen D28/44.1	EM	006276119-0001	3/2019
D849,325	S *	5/2019	Szymanski D28/51	EM	006542189-0001	9/2019
10,406,702	B2	9/2019	Vredeveld et al.	EM	006542619-0001	9/2019
10,421,203	B2	9/2019	Perez Lopez et al.	EP	1 763 422	11/2007
10,434,670	B2	10/2019	Lev	EP	1 644 162	5/2008
10,449,682	B2	10/2019	Eijkelkamp et al.	EP	1 732 736	12/2008
10,486,316	B2	11/2019	Erndt et al.	EP	1 866 129	11/2009
D873,490	S *	1/2020	Khubani D28/51	EP	1 963 057	3/2011
D884,973	S *	5/2020	Khubani D28/51	EP	1 536 928	1/2012
D914,977	S *	3/2021	Szymanski D28/51	EP	2 227 359	2/2013
D914,978	S *	3/2021	Langberg D28/51	EP	2 875 916	5/2015
2005/0034307	A1	2/2005	Brzezinski	EP	2 804 723	4/2016
2008/0250645	A1	10/2008	Tringali et al.	EP	2 747 958	9/2016
2009/0056139	A1	3/2009	Royle	EP	2 747 962	9/2016
2012/0151774	A1	6/2012	Shimizu et al.	EP	3 071 375	9/2016
2012/0304467	A1	12/2012	Garden, Jr.	EP	3 071 376	5/2018
2013/0192068	A1	8/2013	Kammer et al.	EP	3 046 736	3/2017
2013/0312264	A1	11/2013	Cohen	EP	3 049 219	3/2017
2015/0158192	A1	6/2015	Tucker et al.	EP	3 052 281	5/2017
2016/0059428	A1 *	3/2016	Lau B26B 19/10 30/30	EP	3 052 278	3/2018
2016/0271814	A1	9/2016	Bennik et al.	EP	3 131 711	3/2018
2017/0008182	A1	1/2017	Tucker et al.	EP	3 131 715	3/2018
2017/0144319	A1	5/2017	Sablatschan	EP	3 071 376	5/2018
2017/0173804	A1 *	6/2017	Worth B26B 19/04	EP	3 131 713	6/2018
2018/0085940	A1	3/2018	Krauss et al.	EP	3 131 714	6/2018
2018/0085945	A1	3/2018	Bady et al.	EP	3 131 716	6/2018
2018/0085951	A1	3/2018	Krauss et al.	EP	3 142 834	7/2018
2018/0104834	A1	4/2018	Zuidervaart et al.	EP	3 240 658	8/2018
2018/0257248	A1	9/2018	Wu	EP	3 388 207	10/2018
2018/0326602	A1	11/2018	Khubani et al.	EP	3 388 208	10/2018
2019/0176355	A1	6/2019	Mazarakis et al.	EP	3 388 209	10/2018
2019/0299453	A1	10/2019	Bourque et al.	EP	3 409 432	12/2018
2019/0299466	A1	10/2019	Goeder et al.	EP	3 415 288	12/2018
2019/0299473	A1	10/2019	Johnson et al.	EP	2 857 154	2/2019
2019/0299474	A1	10/2019	Bourque et al.	EP	3 052 279	2/2019
2019/0299477	A1	10/2019	Johnson et al.	EP	3 052 280	3/2019
2019/0315006	A1	10/2019	Park et al.	EP	3 450 119	3/2019
2020/0061856	A1 *	2/2020	Musallam B26B 19/046	EP	3 461 602	4/2019
2020/0376695	A1 *	12/2020	Feijen B26B 19/3846	EP	3 466 619	4/2019
2021/0023729	A1 *	1/2021	Langberg B26B 19/3873	EP	3 052 277	5/2019
				EP	3 164 249	5/2019
				EP	3 131 712	6/2019
				EP	3 071 374	8/2019
				EP	3 288 727	9/2019
				EP	3 194 125	11/2019
				EP	3 261 810	4/2020

(56)

References Cited

FOREIGN PATENT DOCUMENTS

EP	3 297 797	4/2020
JP	H06-154435	6/1994
JP	D160618	4/2018
JP	D1642657	9/2019
WO	WO 2018/068353	4/2018
WO	WO 2018/157113	8/2018
WO	WO 2018/227319	12/2018
WO	WO 2019/018104	1/2019
WO	WO 2019/110335	6/2019

* cited by examiner

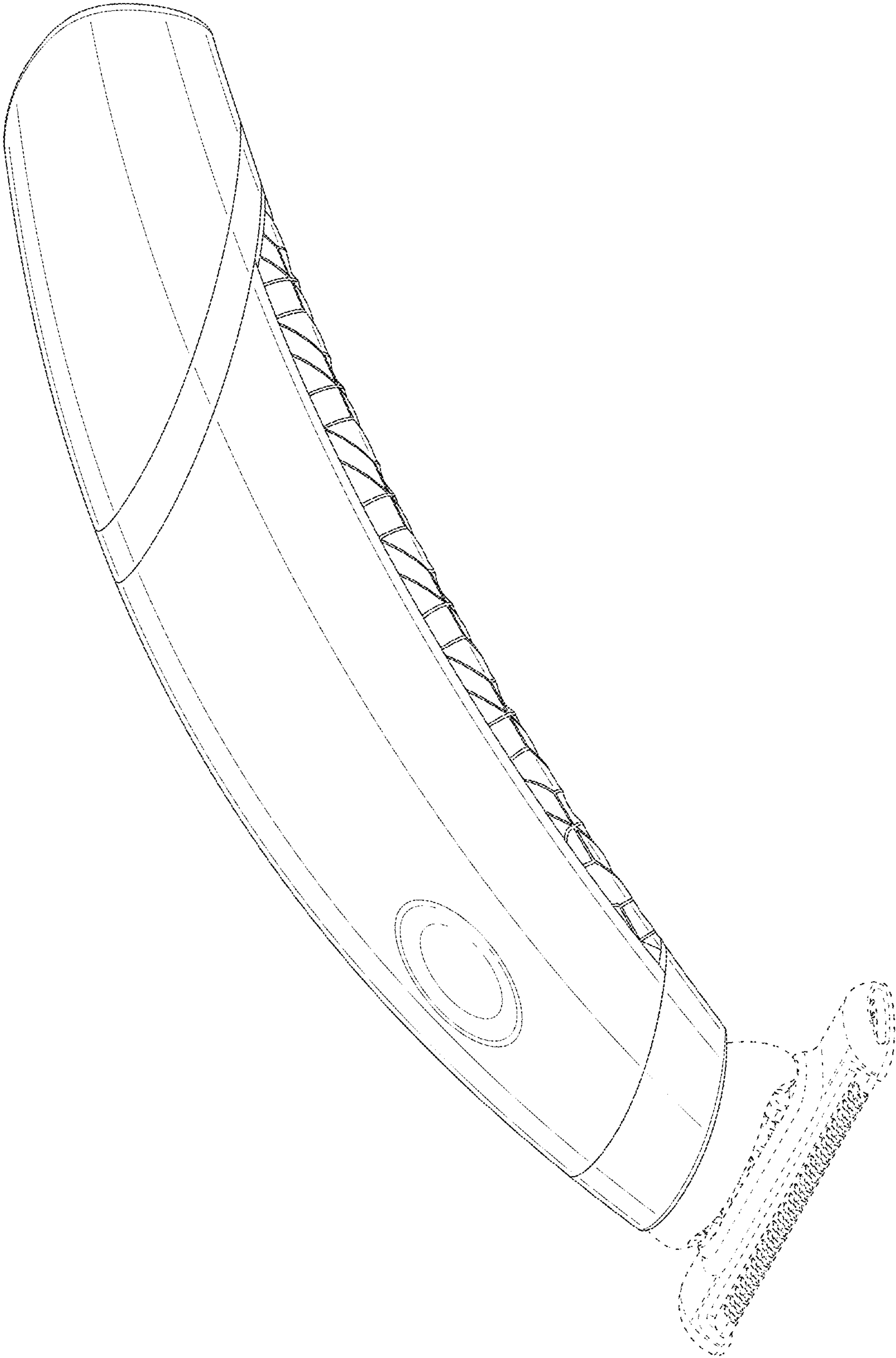


FIG. 1

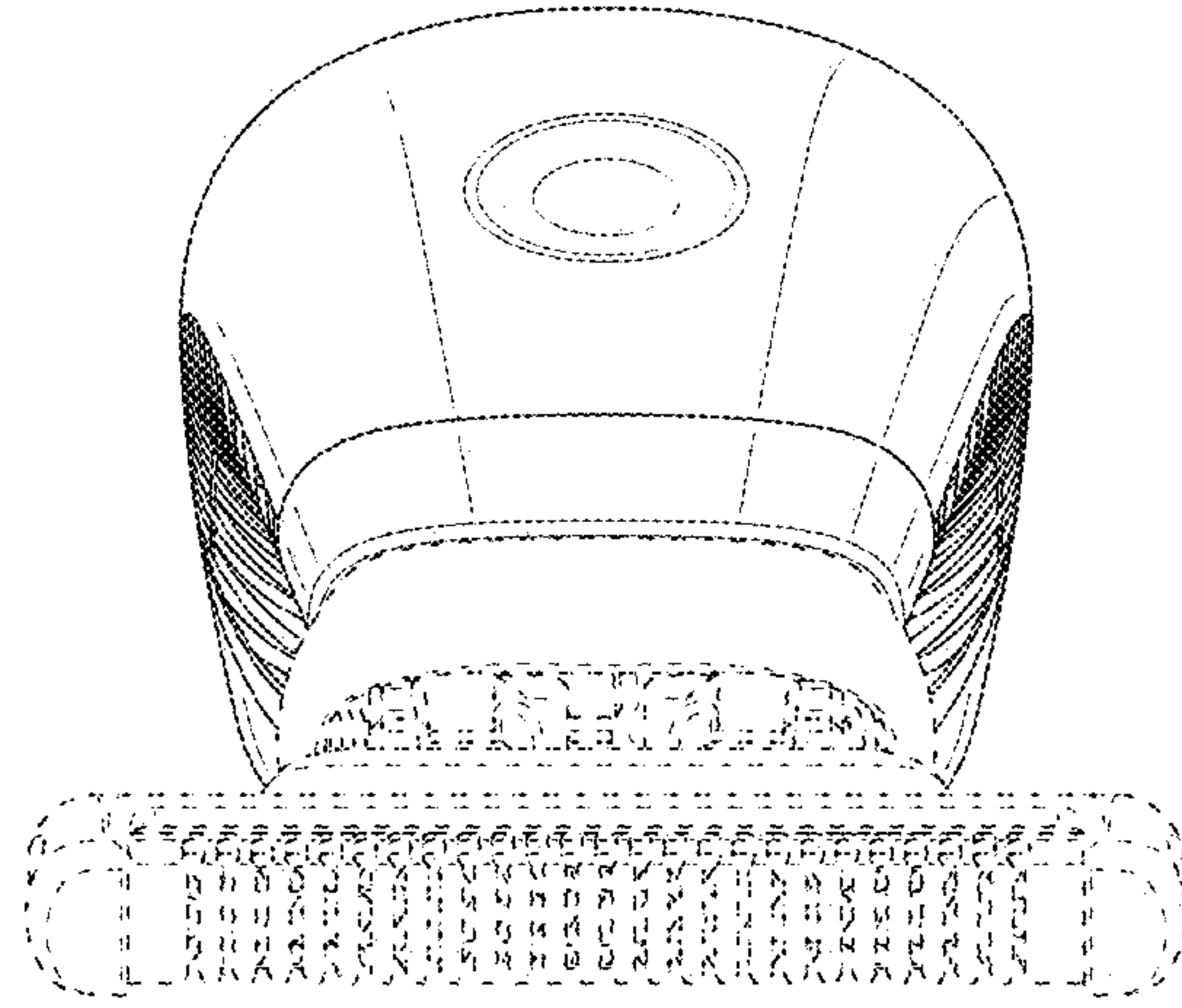


FIG. 2

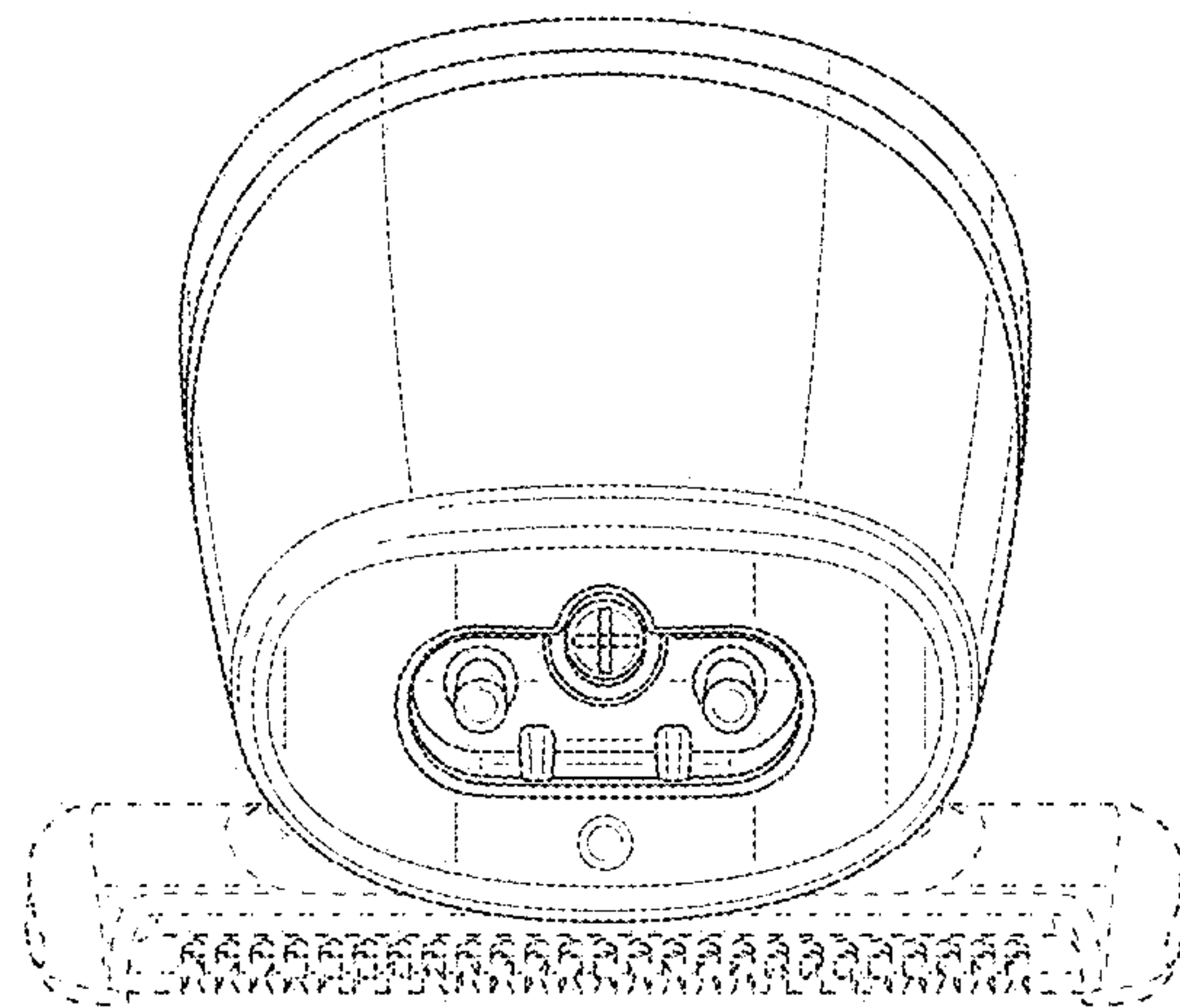


FIG. 3

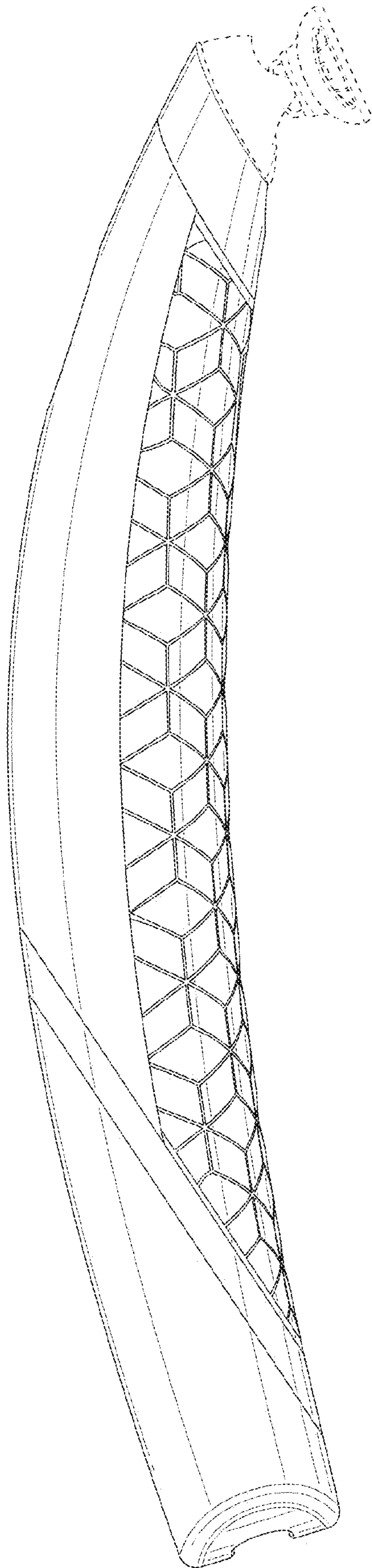


FIG. 4

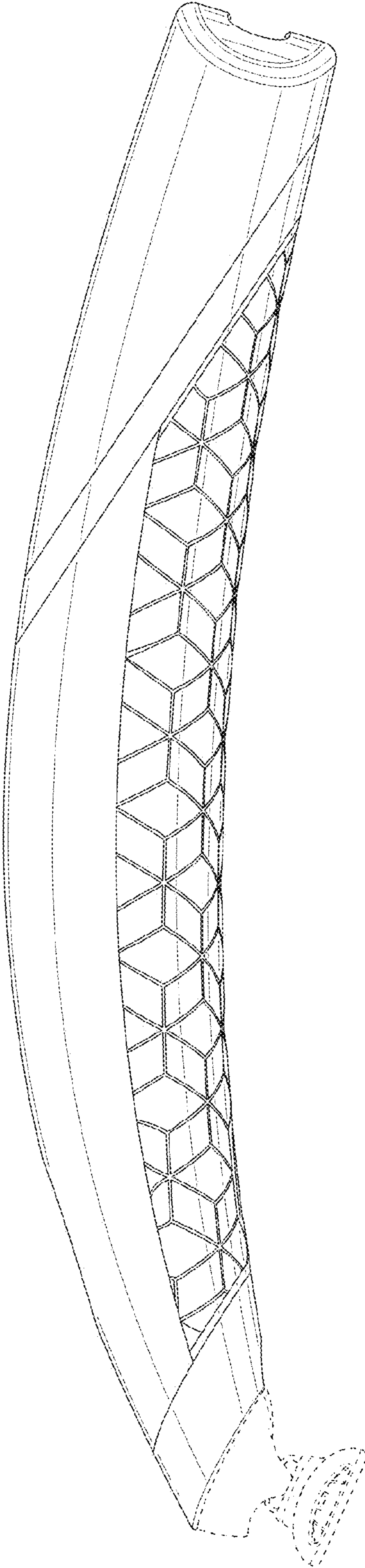


FIG. 5

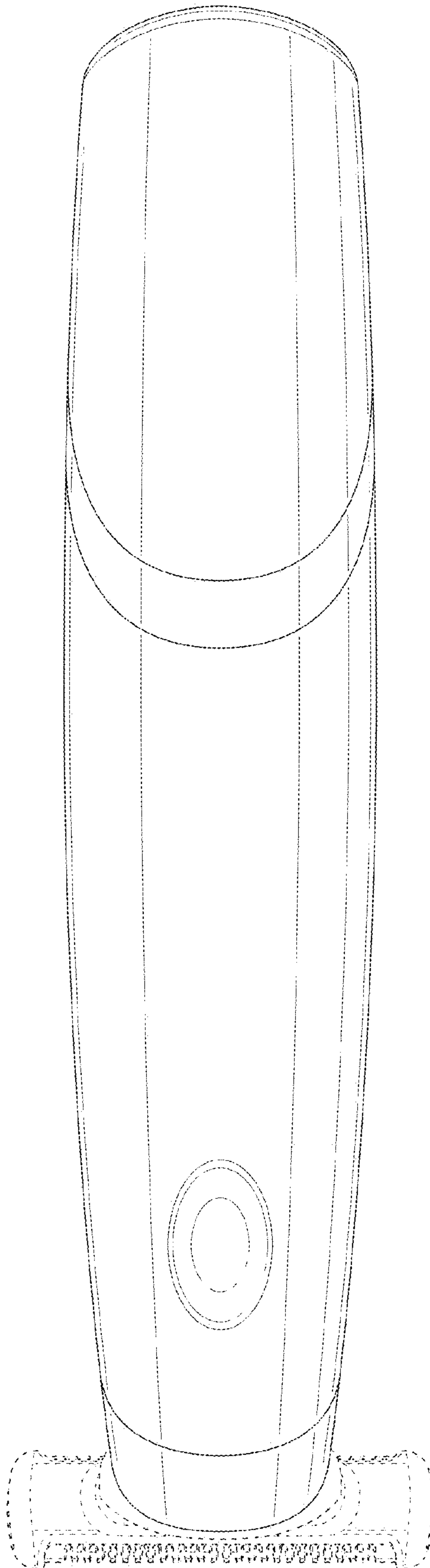


FIG. 6

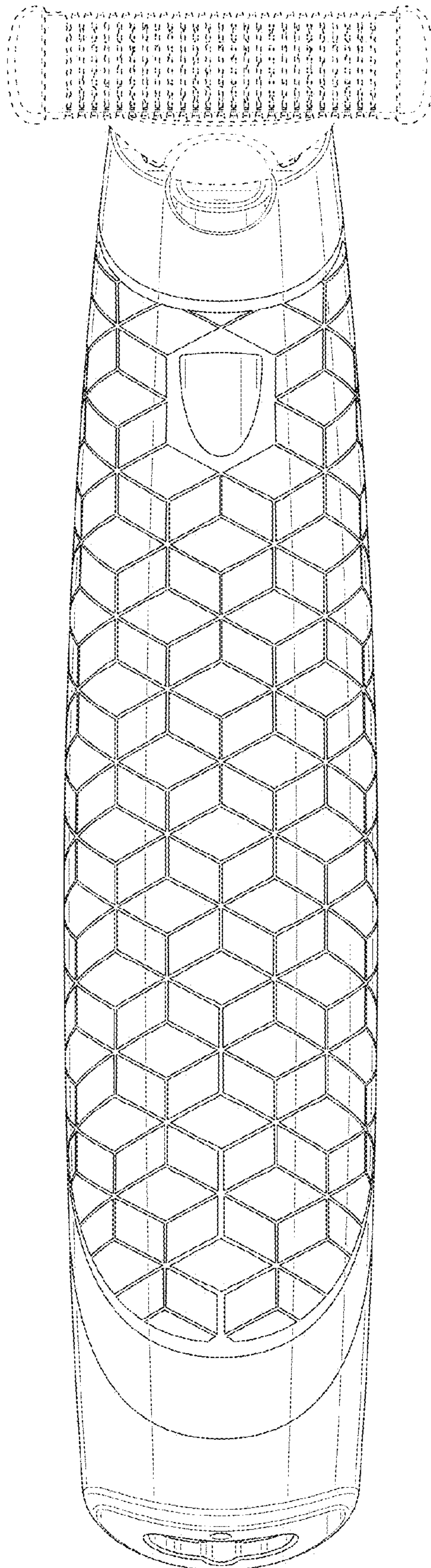


FIG. 7