



US00D936898S

(12) **United States Design Patent** (10) **Patent No.:** **US D936,898 S**  
**Duan** (45) **Date of Patent:** **\*\* Nov. 23, 2021**

(54) **HAIR CURLER**  
(71) Applicant: **Shenzhen Yangwo Electronic Co., Ltd, Shenzhen (CN)**  
(72) Inventor: **Dejin Duan, Shenzhen (CN)**  
(73) Assignee: **Shenzhen Yangwo Electronic Co., Ltd, Shenzhen (CN)**

D776,871 S \* 1/2017 Smith ..... D28/35  
D884,968 S \* 5/2020 Zhu ..... D28/35  
D892,405 S \* 8/2020 Huang ..... D28/35  
D897,598 S \* 9/2020 Duan ..... D28/35  
D899,687 S \* 10/2020 Chen ..... D28/35  
D902,483 S \* 11/2020 Fan ..... D28/35  
D916,369 S \* 4/2021 Huang ..... D28/35  
2019/0328100 A1 \* 10/2019 Duan ..... A45D 6/02

(\*\*) Term: **15 Years**  
(21) Appl. No.: **29/738,942**  
(22) Filed: **Jun. 22, 2020**  
(30) **Foreign Application Priority Data**

Jun. 16, 2020 (EM) ..... 008004857-0001  
(51) **LOC (13) Cl.** ..... **28-03**  
(52) **U.S. Cl.**  
USPC ..... **D28/35**  
(58) **Field of Classification Search**  
USPC ..... D28/35, 10, 37, 38  
CPC ..... A45D 2/367; A45D 2/36; A45D 2/362;  
A45D 2/02; A45D 2/12; A45D 2/122;  
A45D 2/38; A45D 2/40; A45D 2/14;  
A45D 2/00; A45D 2001/004; A45D 1/00;  
A45D 1/04

See application file for complete search history.

(56) **References Cited**  
U.S. PATENT DOCUMENTS  
3,933,161 A \* 1/1976 Strickman ..... A45D 2/14  
132/238  
4,443,688 A \* 4/1984 Andis ..... A45D 1/18  
132/118  
D389,953 S \* 1/1998 Seifert ..... D28/35  
6,123,299 A \* 9/2000 Zach, Sr. .... A45D 1/00  
248/117.1  
D498,561 S \* 11/2004 McCambridge ..... D28/38  
D711,043 S \* 8/2014 Cooper ..... D28/38

**OTHER PUBLICATIONS**

Automatic Curling Iron, By:GoGreen Sprouter found on Amazon Jun. 3, 2021 <https://www.amazon.com/Automatic-Curling-Cordless-Rechargeable-Professional/dp/B08JCX52M9/ref=> Dec. 26, 2020.\* [https://detail.tmall.com/item.htm?spm=a1z10.3-b-s.w5001-22392026579.7.292e2921Vw3eJc&id=610878390416&rn=b809a4c60919c6767309c9100dd524f4&abbucket=12&skuld=4307086217148&scene=taobao\\_shop](https://detail.tmall.com/item.htm?spm=a1z10.3-b-s.w5001-22392026579.7.292e2921Vw3eJc&id=610878390416&rn=b809a4c60919c6767309c9100dd524f4&abbucket=12&skuld=4307086217148&scene=taobao_shop).

\* cited by examiner

*Primary Examiner* — Marissa J Cash  
*Assistant Examiner* — Rebecca Tsehaye  
(74) *Attorney, Agent, or Firm* — Andrew C. Cheng

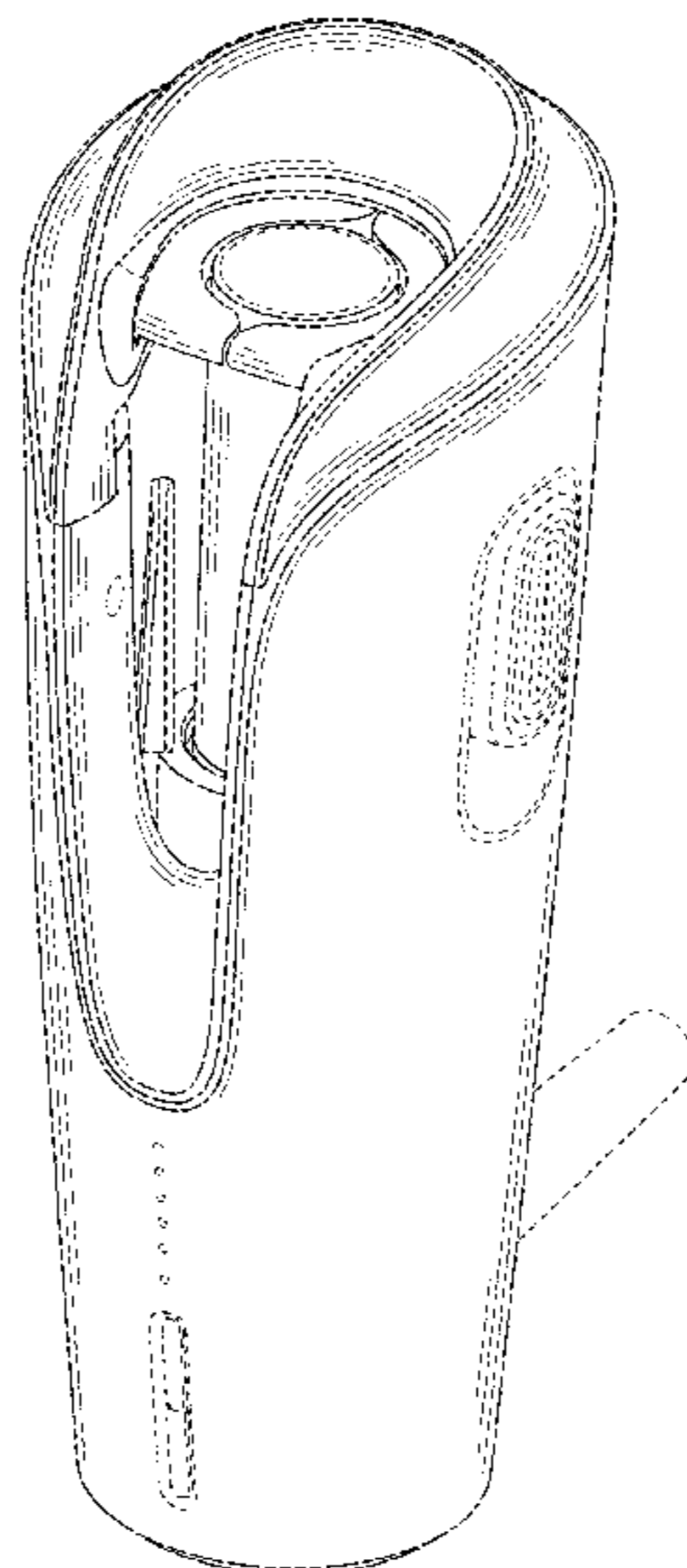
(57) **CLAIM**

I claim the ornamental design for a hair curler, as shown and described.

**DESCRIPTION**

FIG. 1 is a first perspective view of a hair curler showing my new design;  
FIG. 2 is a second perspective view thereof;  
FIG. 3 is a front view thereof;  
FIG. 4 is a rear view thereof;  
FIG. 5 is a left side view thereof;  
FIG. 6 is a right side view thereof;  
FIG. 7 is a top view thereof; and,  
FIG. 8 is a bottom view thereof.  
The broken lines in the drawings depict portions of the hair curler that form no part of the claimed design.

**1 Claim, 8 Drawing Sheets**



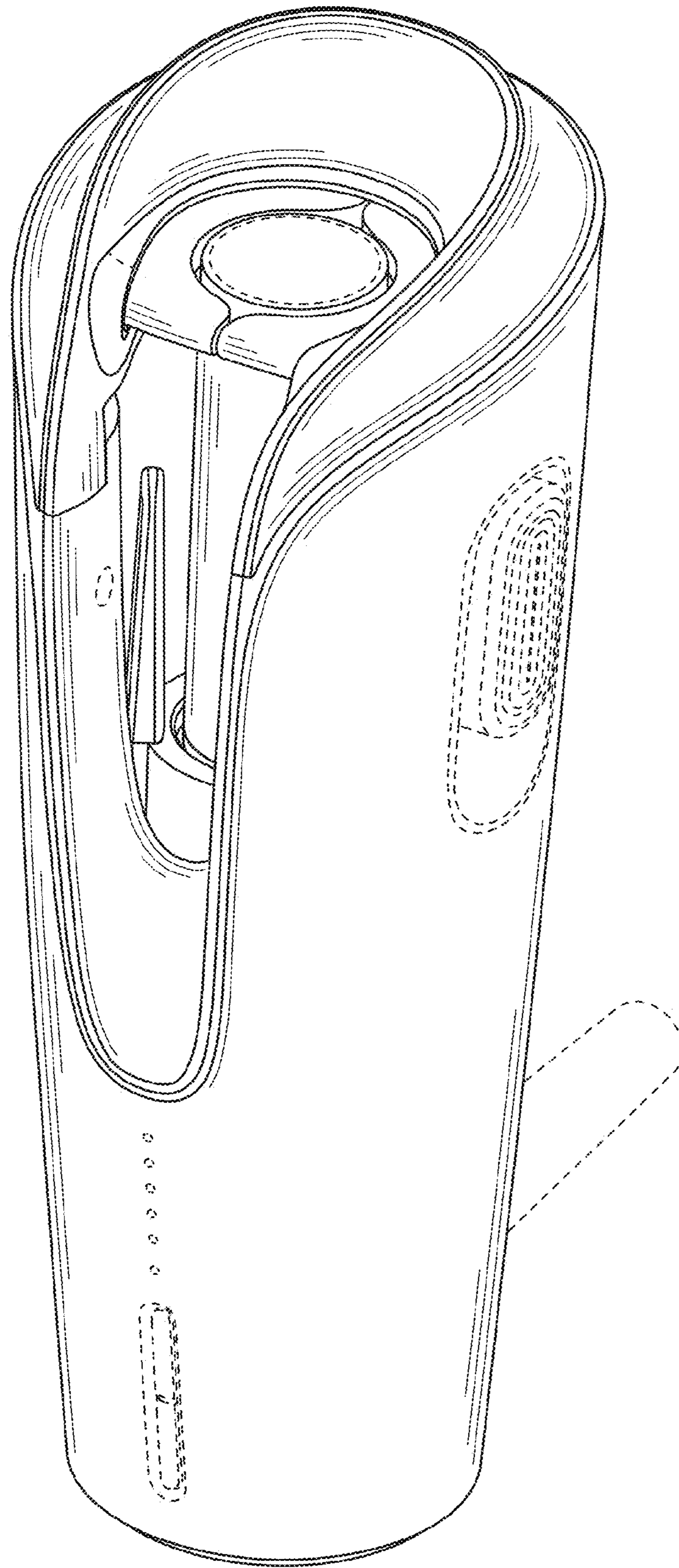


FIG. 1

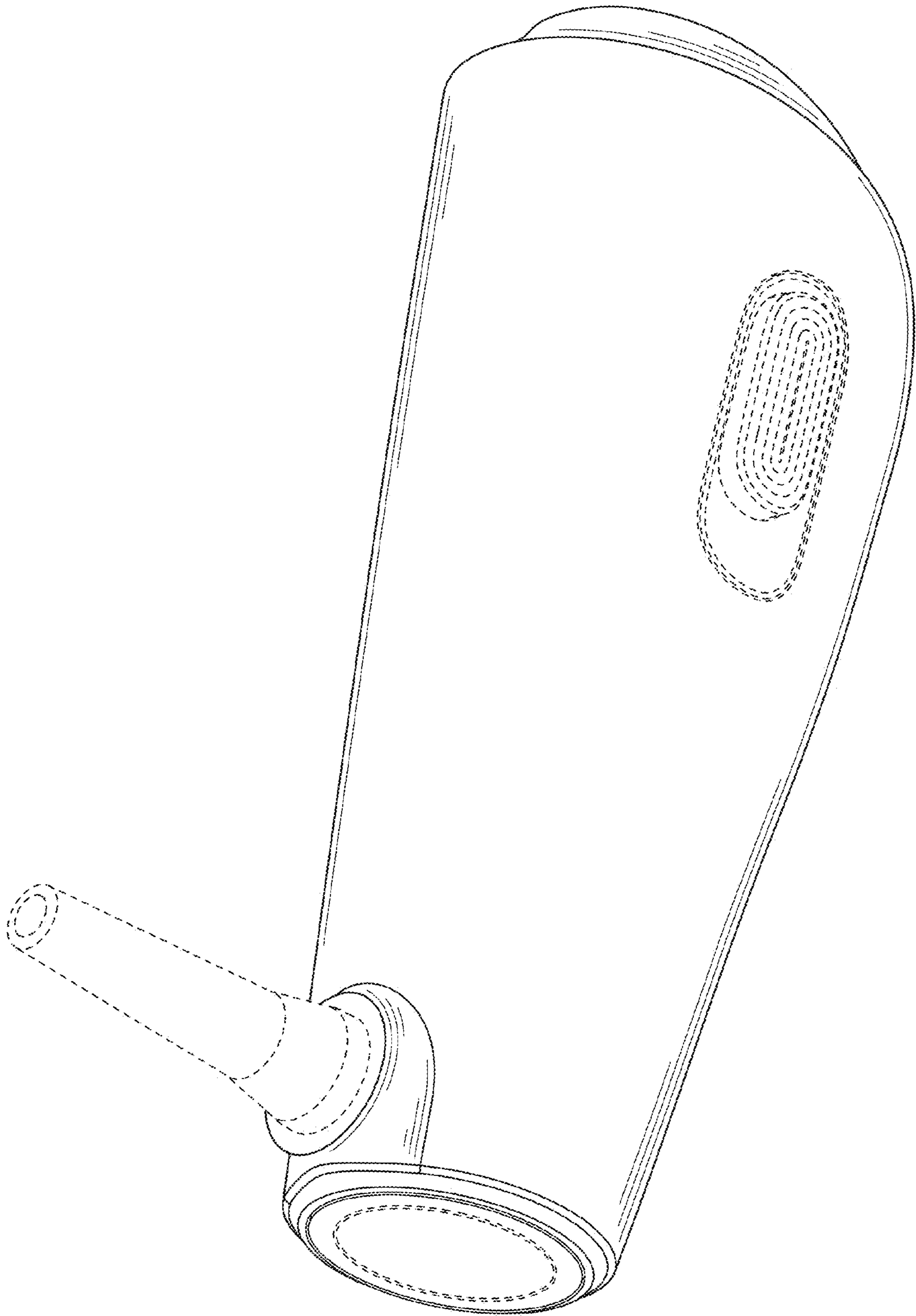


FIG. 2



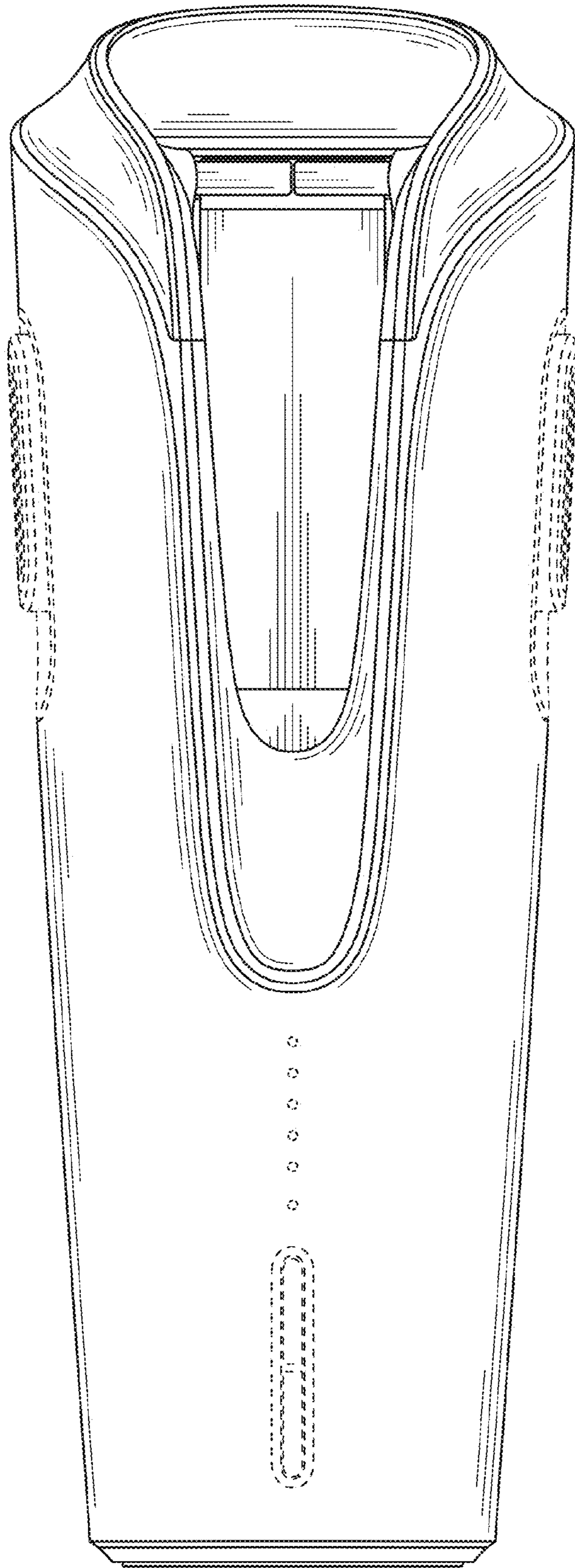


FIG. 3

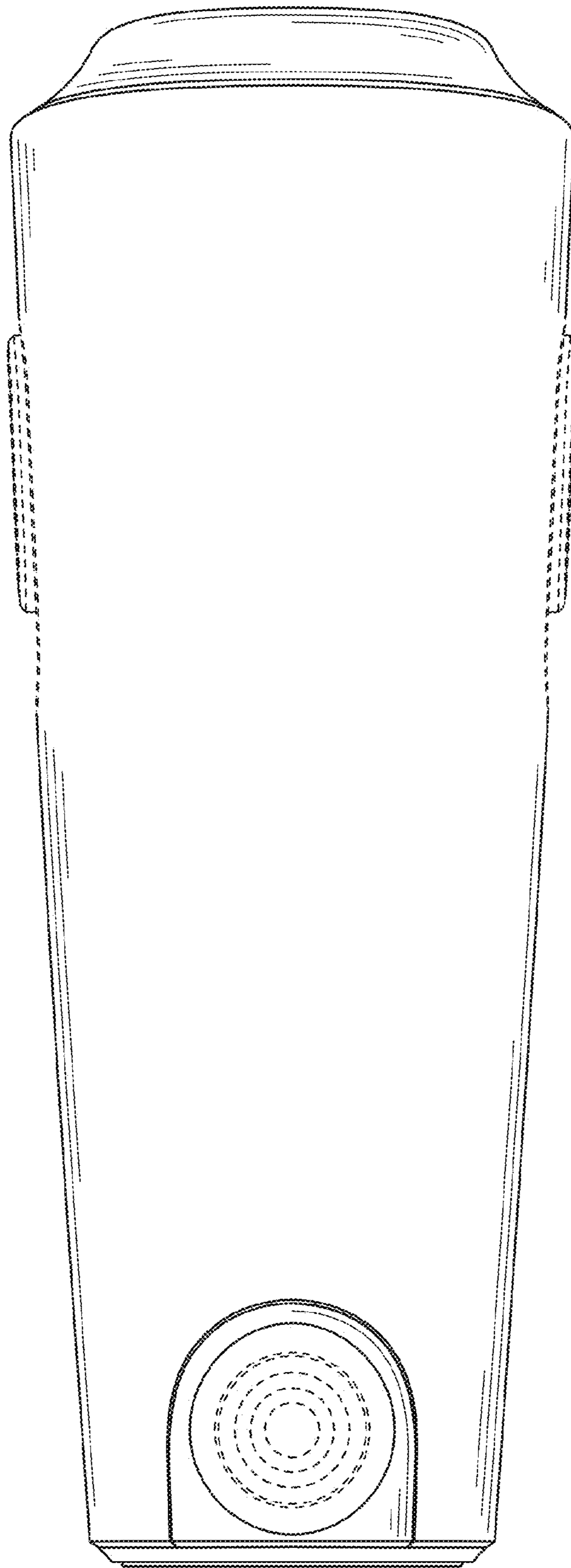


FIG. 4

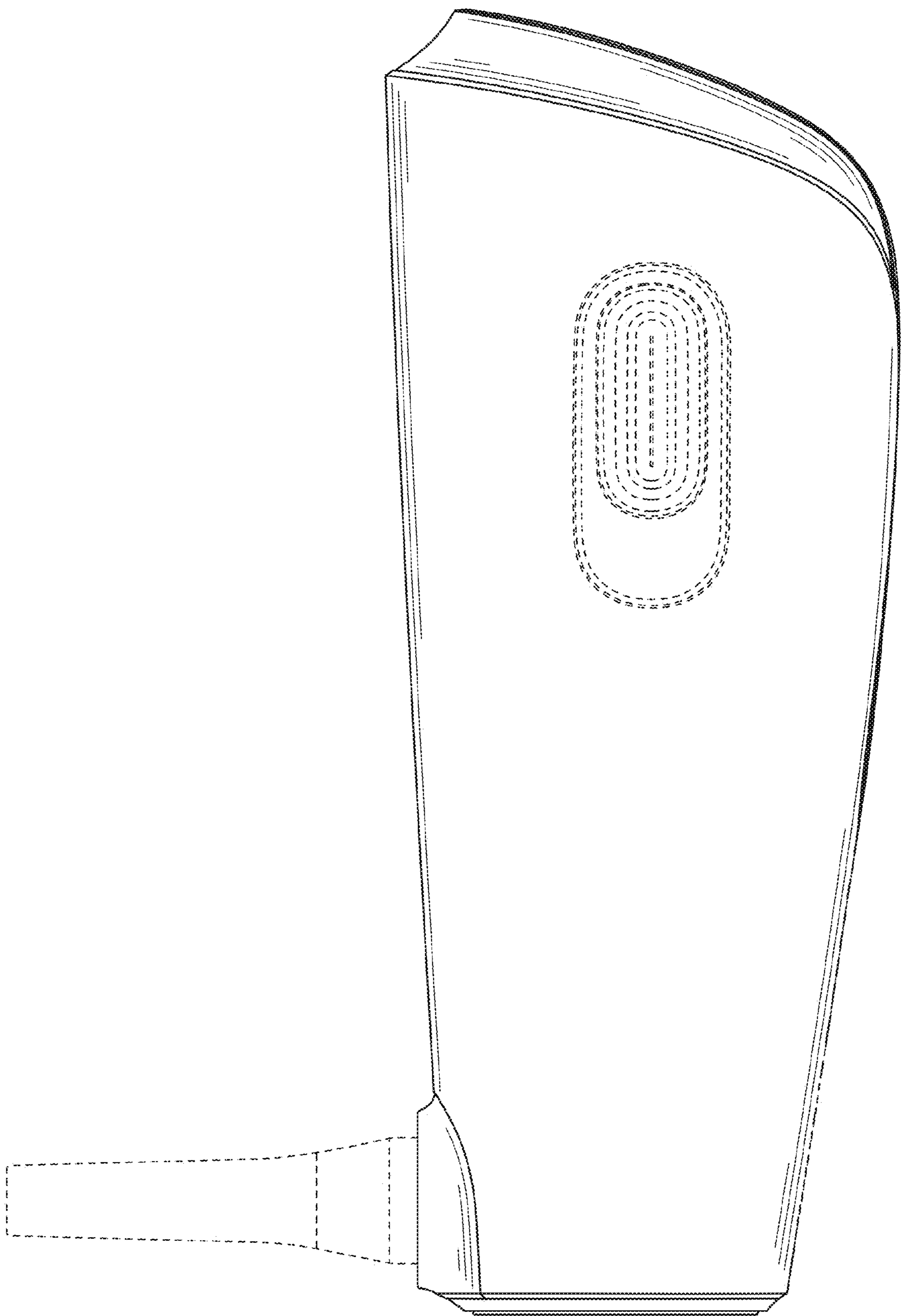


FIG. 5

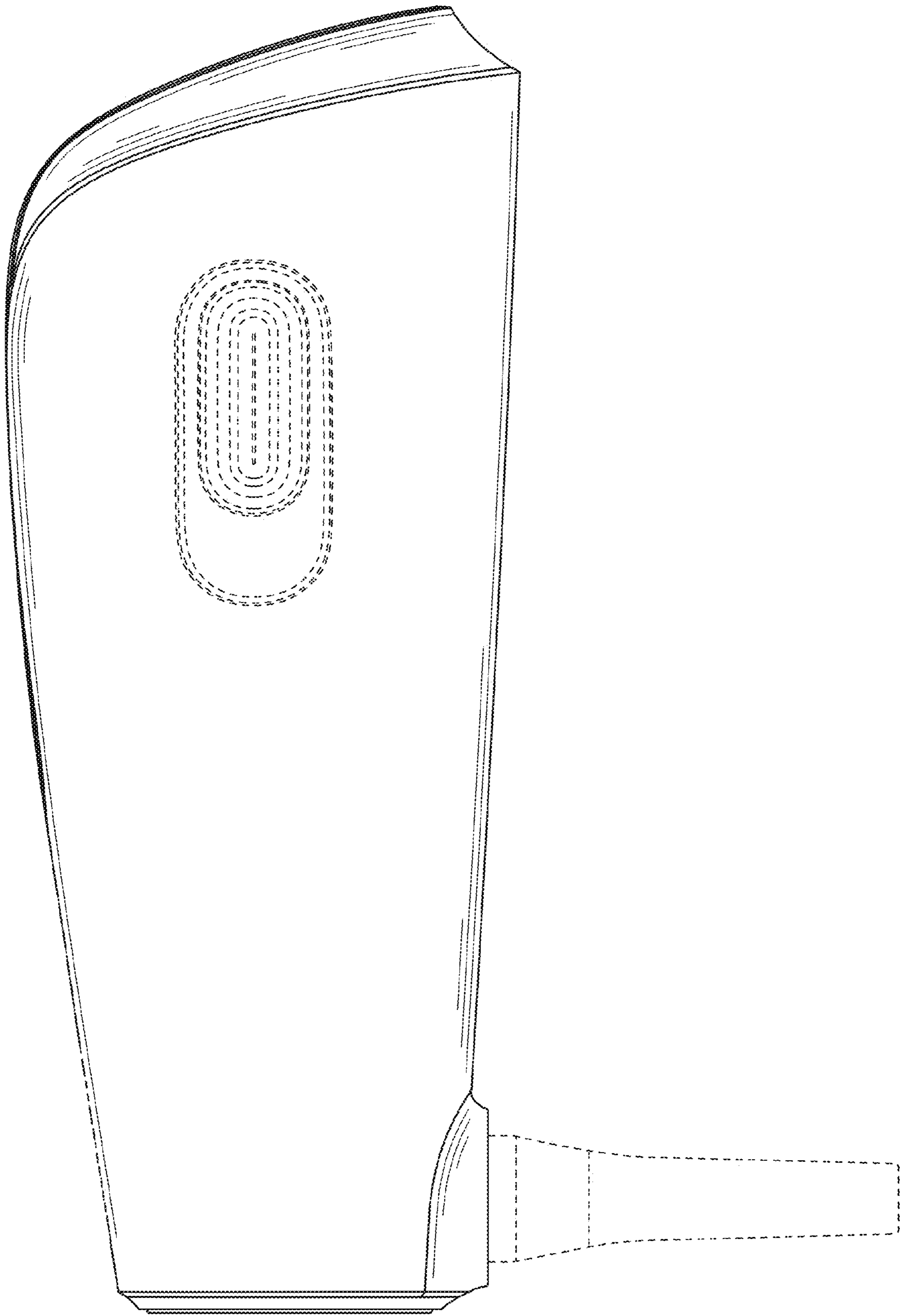


FIG. 6

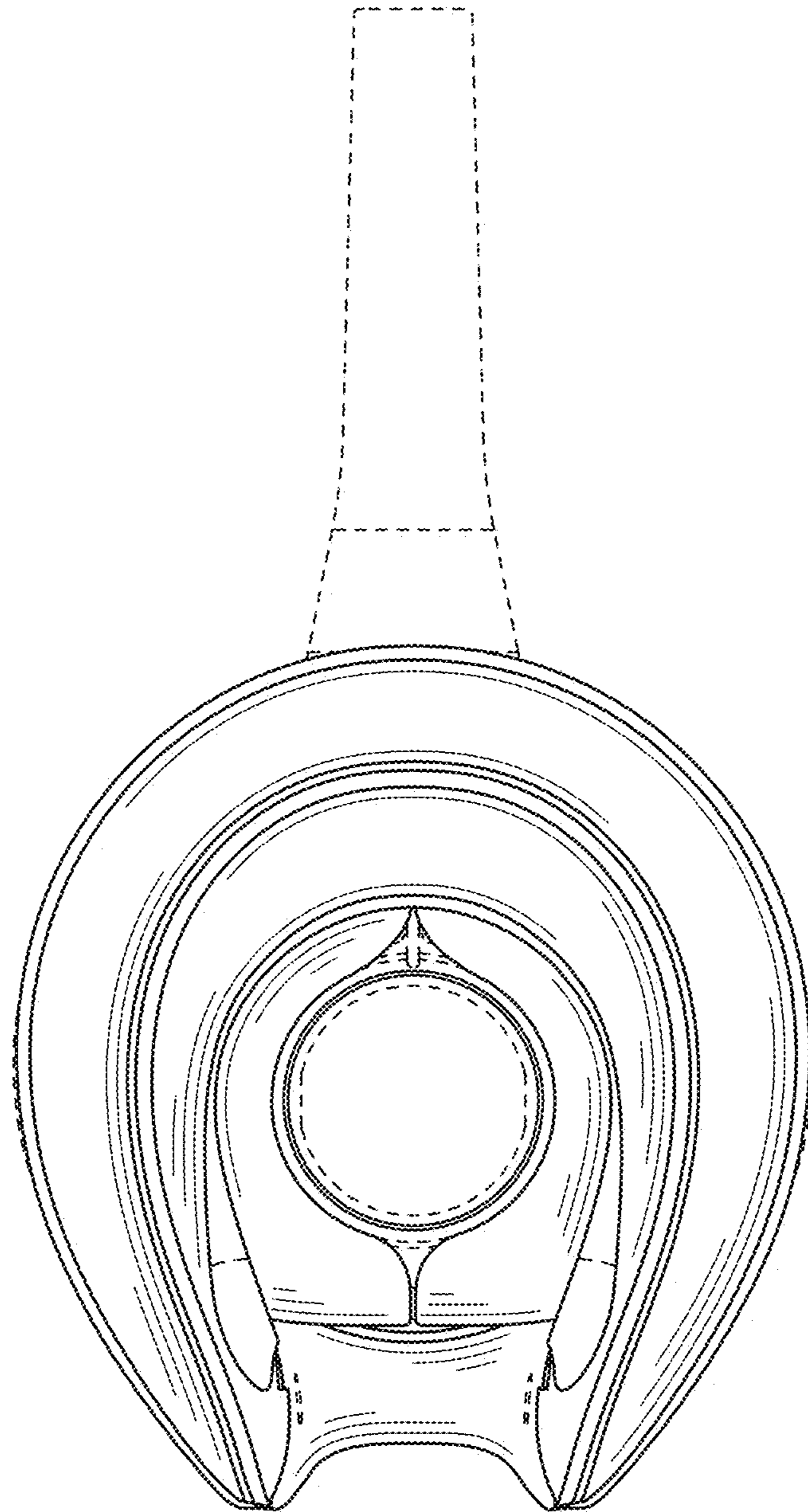


FIG. 7



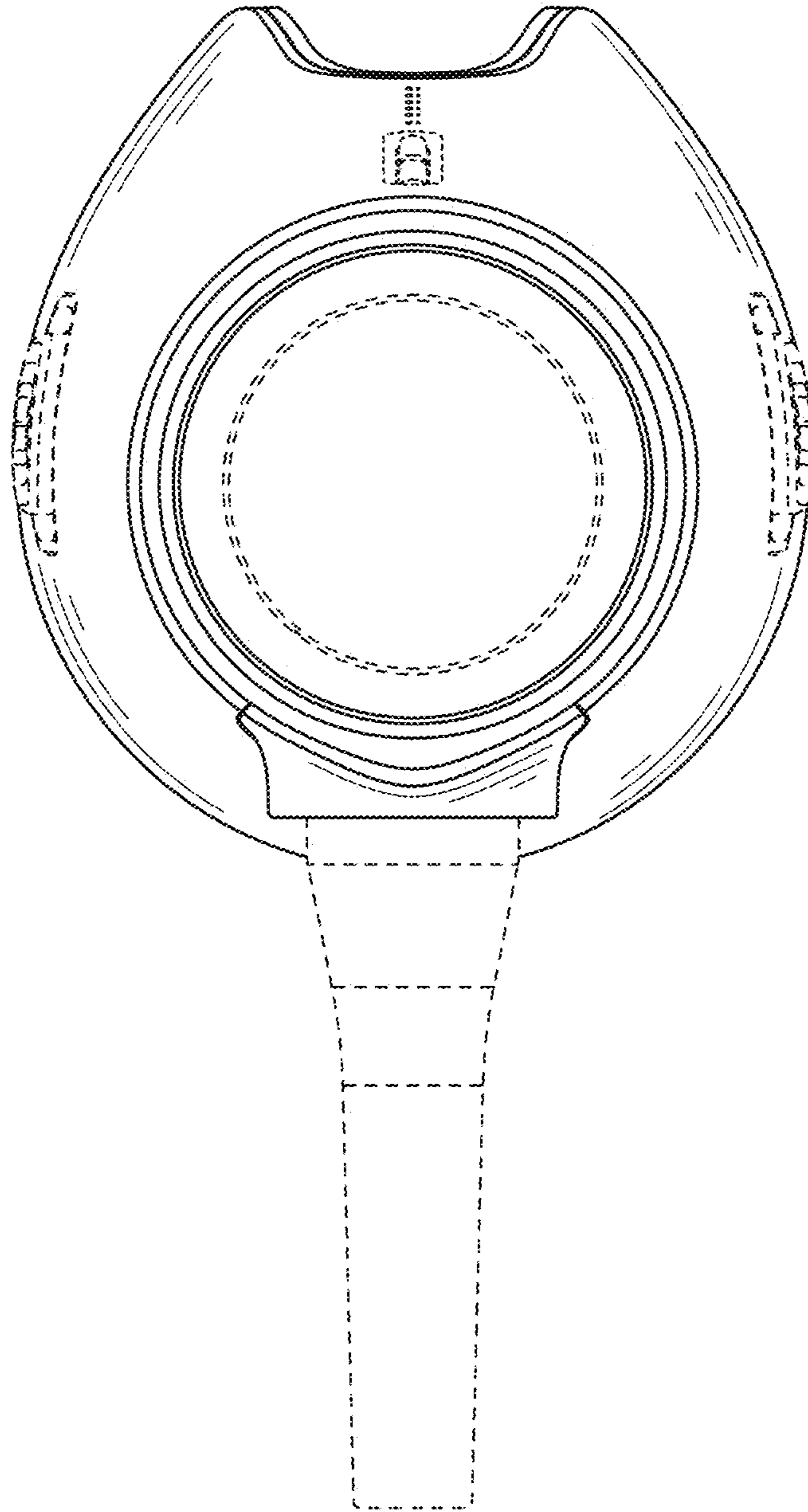


FIG. 8