



US00D936894S

(12) **United States Design Patent**
Han

(10) **Patent No.:** **US D936,894 S**

(45) **Date of Patent:** **** Nov. 23, 2021**

(54) **VEHICLE GRILL LIGHT**

(71) Applicant: **SEVEN SPARTA CORP.**, Richardson,
TX (US)

(72) Inventor: **Fei Han**, Shenzhen (CN)

(**) Term: **15 Years**

(21) Appl. No.: **29/753,574**

(22) Filed: **Oct. 1, 2020**

(51) **LOC (13) Cl.** **26-99**

(52) **U.S. Cl.**
USPC **D26/139**

(58) **Field of Classification Search**
USPC D26/28-36, 139
CPC F21S 48/00; F21S 48/10; F21S 48/115;
F21S 48/225; F21S 48/1233; F21S
48/1266; F21S 48/1388; F21S 48/2268;
F21V 21/04; F21V 29/004; B60Q 9/13;
B60Q 9/135; B60Q 9/1375
See application file for complete search history.

(56) **References Cited**

U.S. PATENT DOCUMENTS

D355,039 S * 1/1995 Winick D26/139
D376,032 S * 11/1996 Jeffries D26/139

D378,433 S * 3/1997 Jeffries D26/139
D403,802 S * 1/1999 Moore D26/139
D440,694 S * 4/2001 Jeffries D26/139
D489,466 S 5/2004 Dohogne et al.
D708,371 S 7/2014 Song et al.
D787,739 S 5/2017 Gittin et al.
D831,267 S 10/2018 Gittin et al.
D842,534 S 3/2019 Gittin et al.
D887,047 S 6/2020 Wang et al.

* cited by examiner

Primary Examiner — Marcus A Jackson

(74) *Attorney, Agent, or Firm* — Rumit Ranjit Kanakia

(57) **CLAIM**

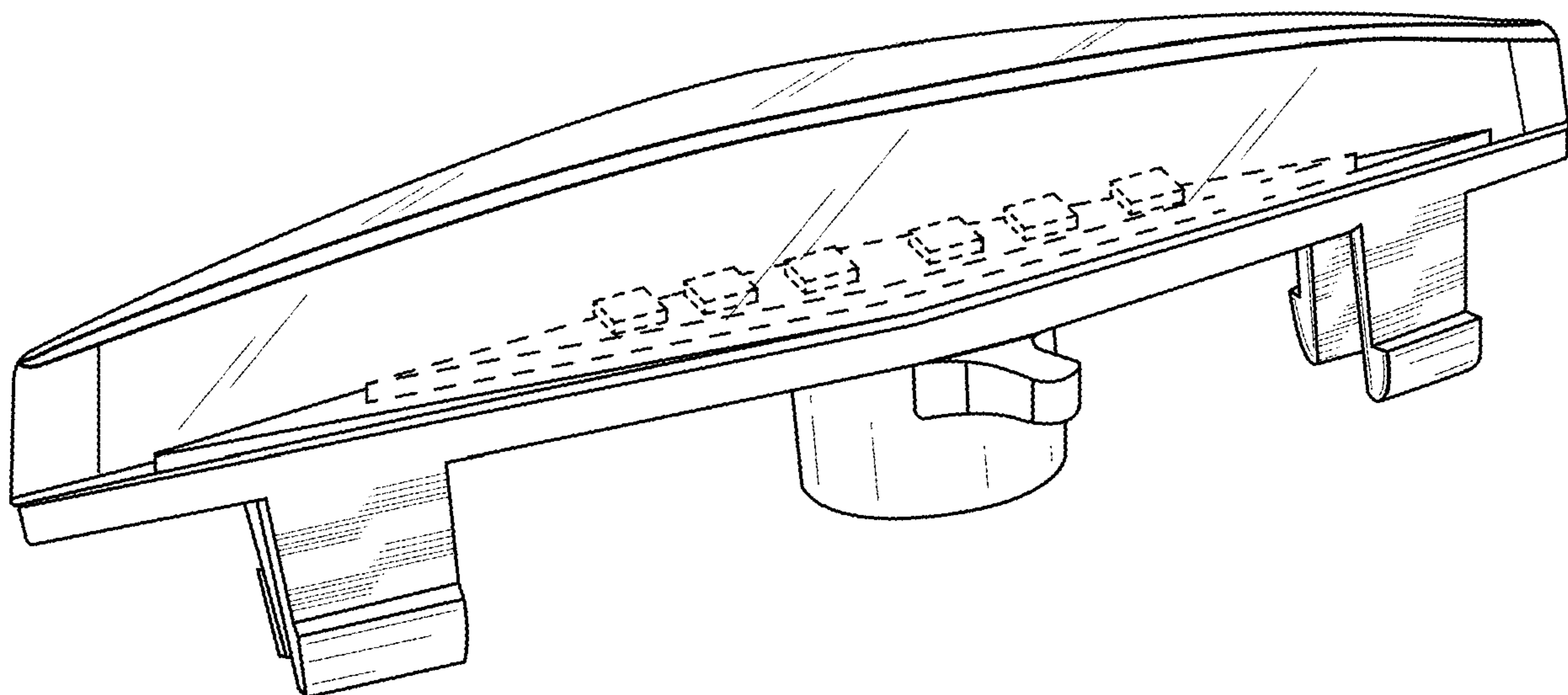
I claim the ornamental design for a vehicle grill light, as shown and described.

DESCRIPTION

FIG. 1 is a Perspective view of a vehicle grill light showing my new design;
FIG. 2 is a Left-side view thereof;
FIG. 3 is a Right-side view thereof;
FIG. 4 is a Front view thereof;
FIG. 5 is a Back view thereof;
FIG. 6 is a Top view thereof; and,
FIG. 7 is a Bottom view thereof.

The broken lines are for the purpose of illustrating portions of the article that form no part of the claim.

1 Claim, 4 Drawing Sheets



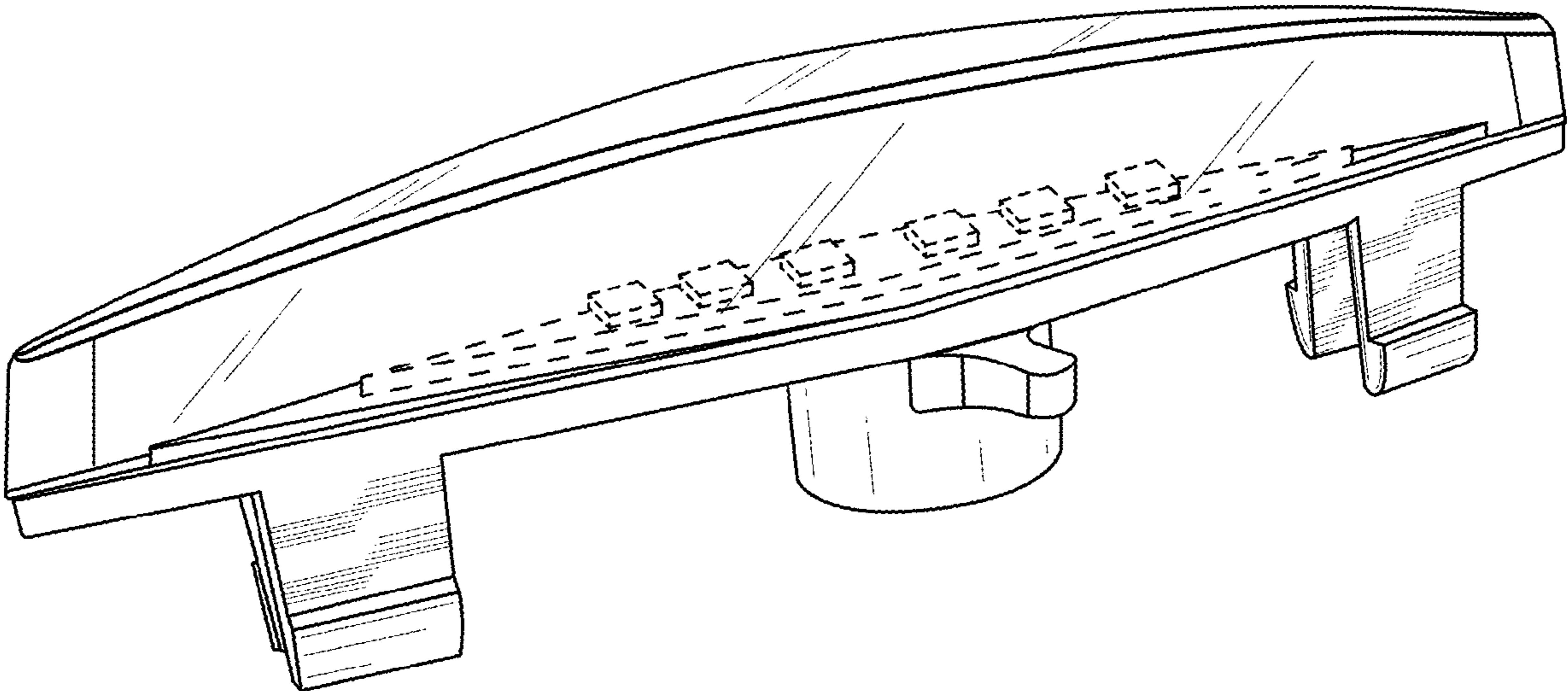


FIG. 1

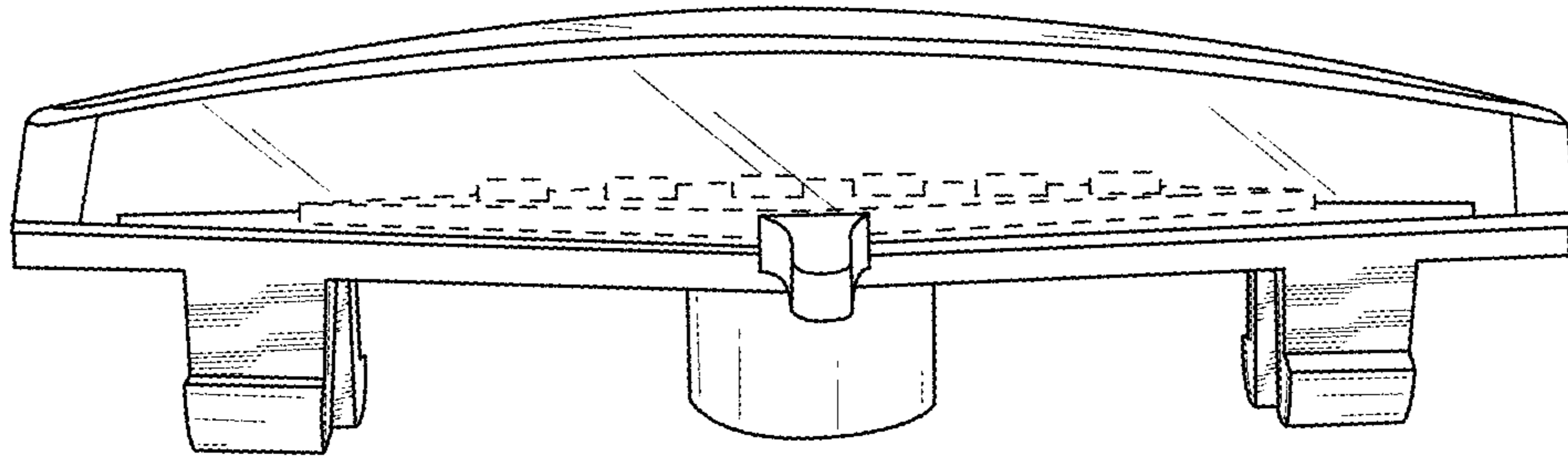


FIG. 2

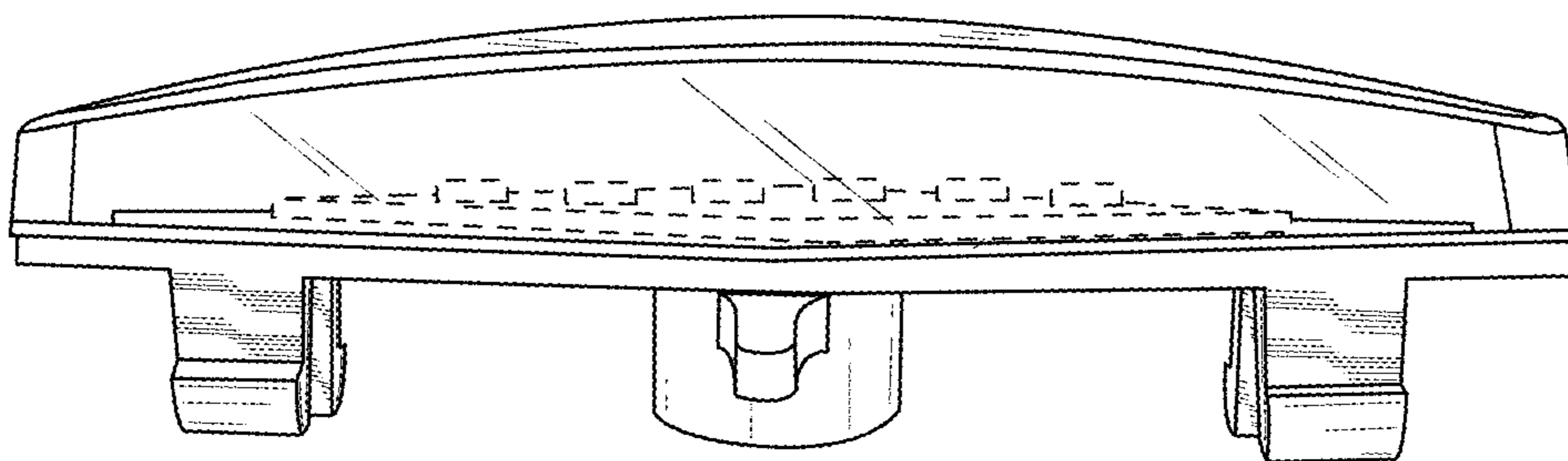


FIG. 3

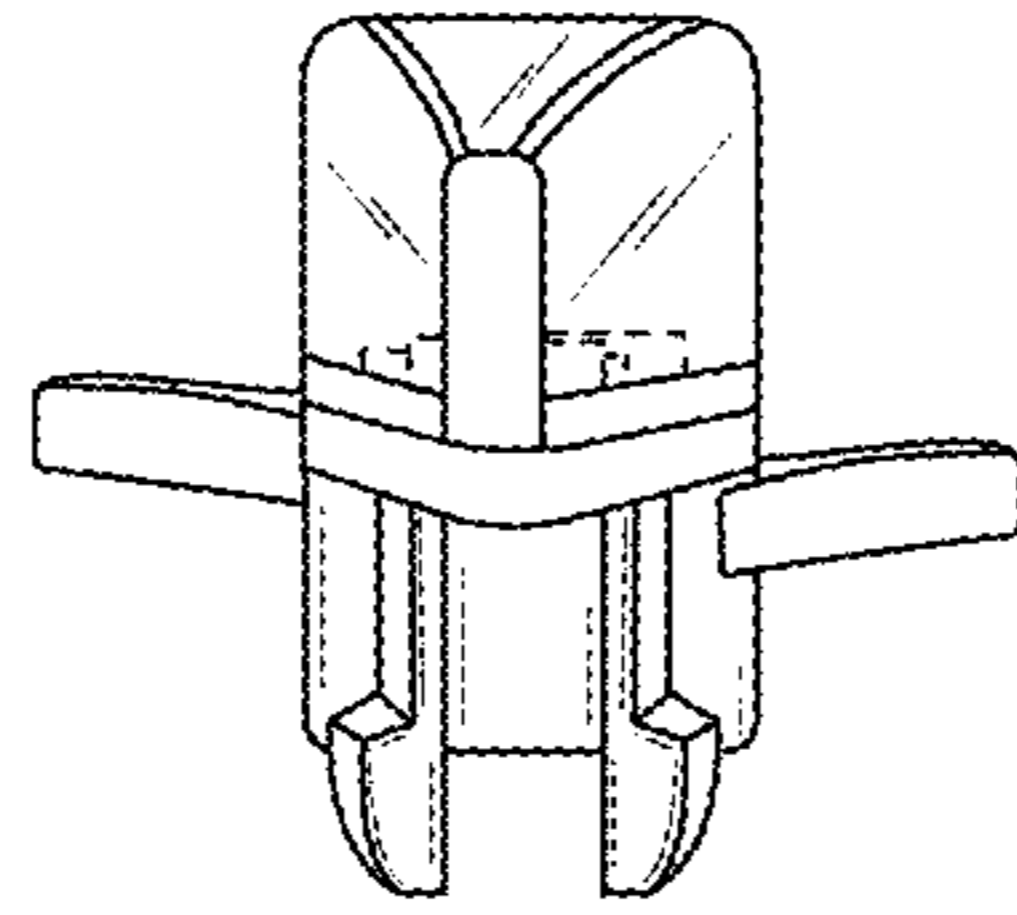


FIG. 4

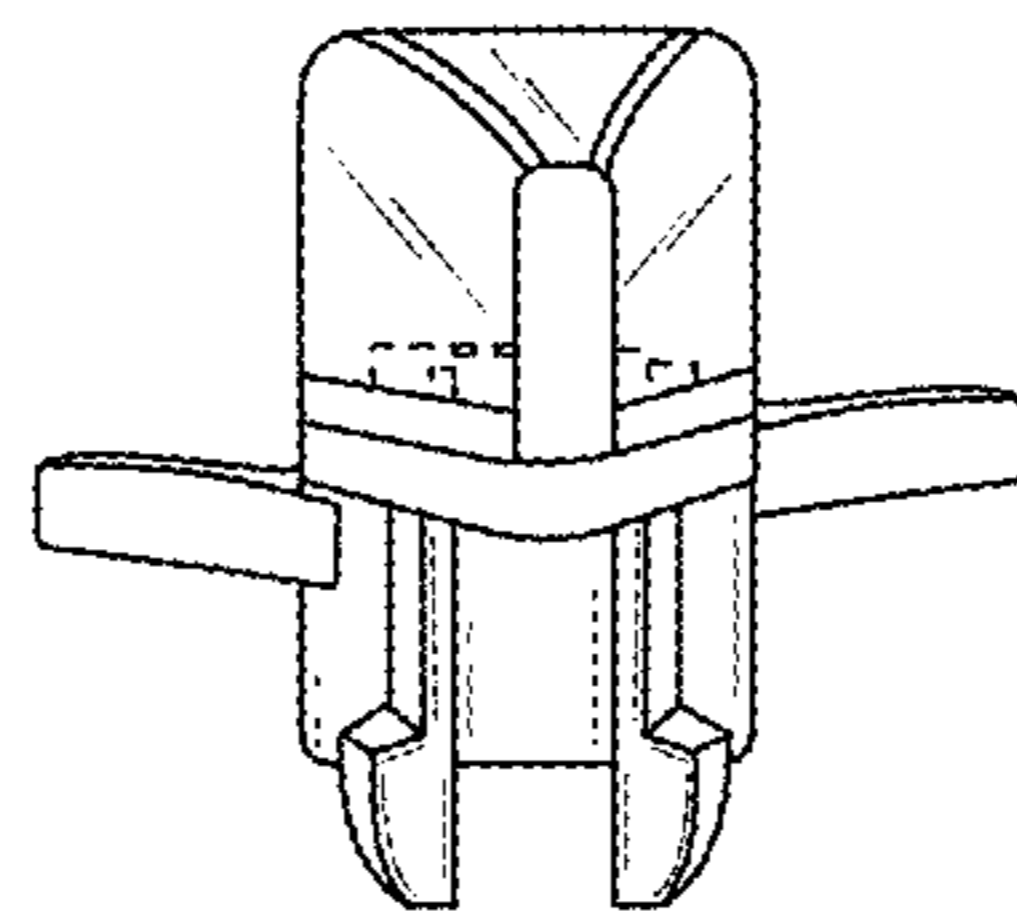


FIG. 5

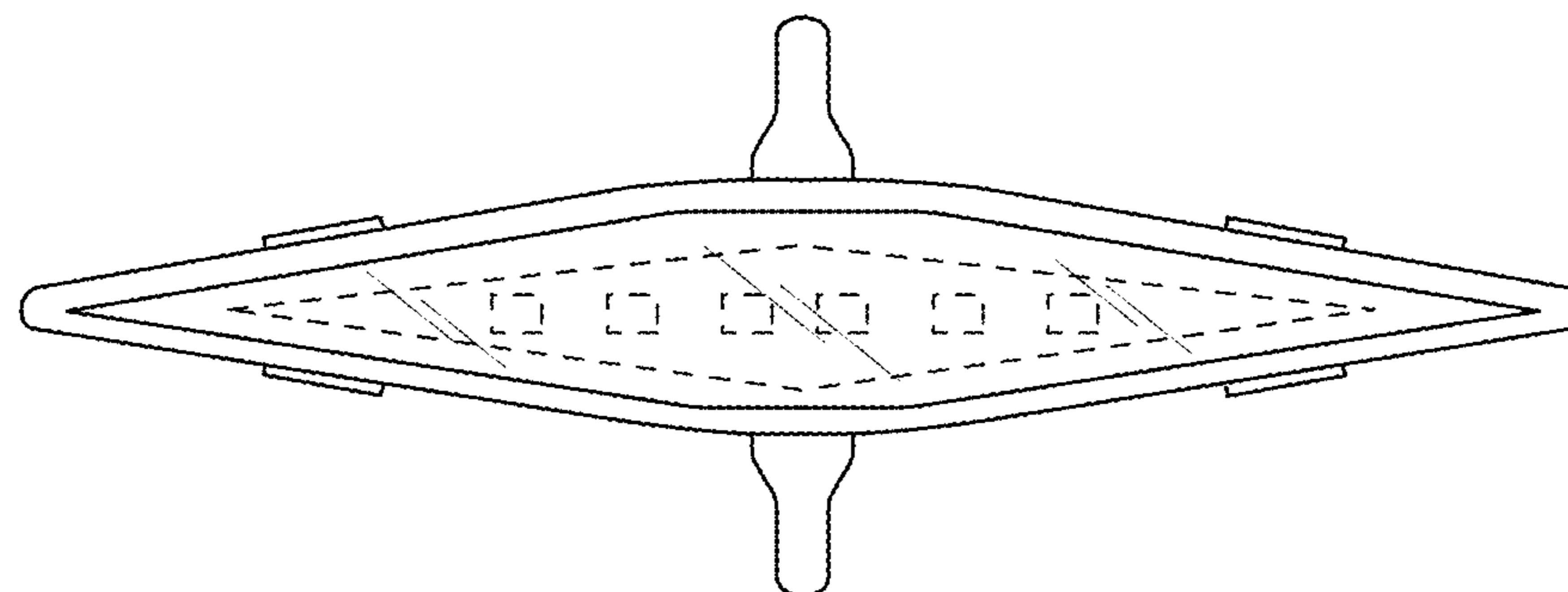


FIG. 6

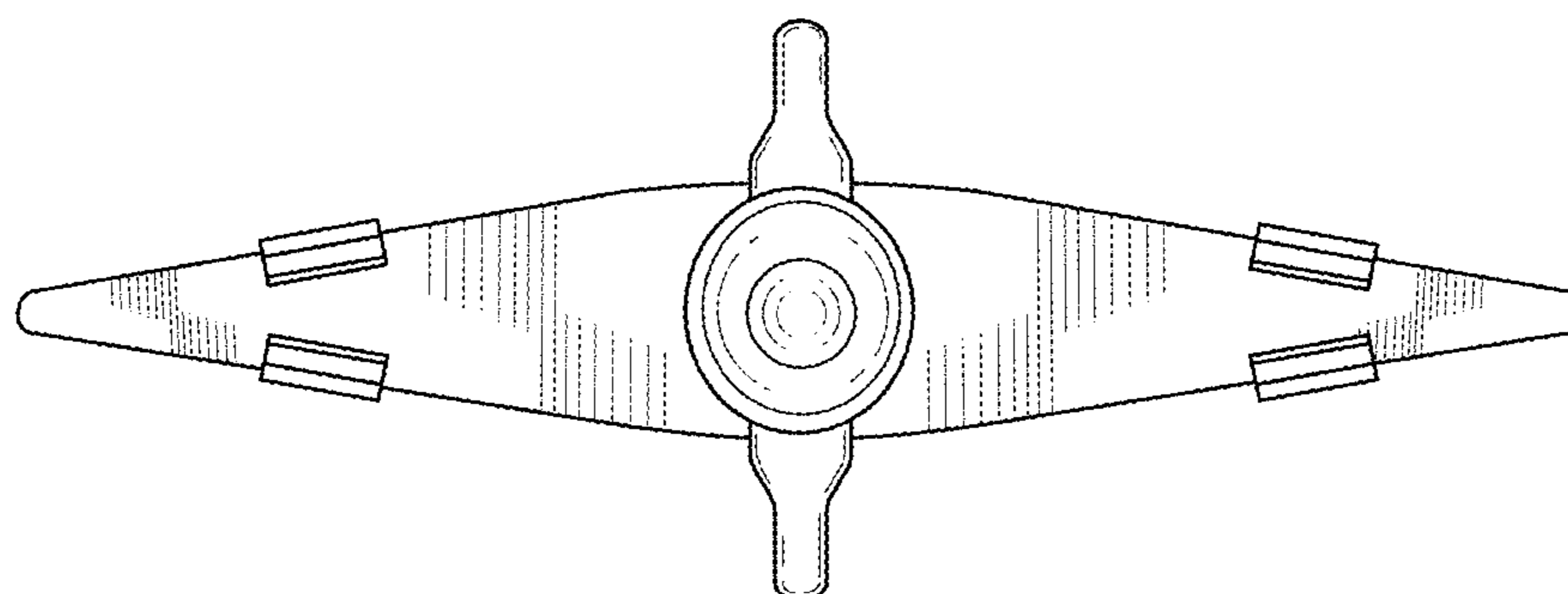


FIG. 7