



US00D936890S

(12) **United States Design Patent**  
**Chen**

(10) **Patent No.:** **US D936,890 S**

(45) **Date of Patent:** **\*\* Nov. 23, 2021**

(54) **SOLAR WALL LIGHT**

(71) Applicant: **Junqing Chen**, Guangdong (CN)

(72) Inventor: **Junqing Chen**, Guangdong (CN)

(73) Assignee: **Shenzhen Jinge Electronic Plastic Co., Ltd.**, Guangdong (CN)

(\*\*) Term: **15 Years**

(21) Appl. No.: **29/704,637**

(22) Filed: **Sep. 5, 2019**

(51) **LOC (13) Cl.** ..... **26-03**

(52) **U.S. Cl.**  
USPC ..... **D26/85**

(58) **Field of Classification Search**  
USPC ..... D26/72, 80, 85-87, 89, 118; D10/106.6,  
D10/106.8  
CPC .. F21S 8/033; F21S 8/035; F21S 8/036; F21S  
8/046; G08B 13/193  
See application file for complete search history.

(56) **References Cited**

**U.S. PATENT DOCUMENTS**

RE17,809 E *	9/1930	Ohm	.....	F21S 8/033
				362/446
D95,917 S *	6/1935	McCann	.....	D26/86
D106,992 S *	11/1937	Schroeder	.....	D26/76
D110,165 S *	6/1938	Arenberg	.....	D26/85
D114,329 S *	4/1939	Gregg	.....	D26/86
D339,203 S *	9/1993	Namenye	.....	D26/85
D411,030 S *	6/1999	Chen	.....	D26/87
D664,702 S *	7/2012	Senkyr	.....	D26/85
D691,318 S *	10/2013	Wilcox	.....	D26/85
D695,939 S *	12/2013	Fang	.....	D26/72

D742,054 S *	10/2015	Fisher	.....	D26/85
D764,696 S *	8/2016	Compton	.....	D26/85
D924,459 S *	7/2021	Richardson	.....	D26/85

**OTHER PUBLICATIONS**

Hudson Valley Sperry 13" High Polished Nickel Wall Sconce Style No. 8N509 available from lampsplus.com as early as Apr. 10, 2019. (Year: 2019).\*

Bathroom Sconce, Polished Nickel—Chrome LED Wall Lamp with Glass Shade from the Brooklyn Bulb Company Store, ASIN: B07RF9CGQG available from amazon.com May 3, 2019. (Year: 2019).\*

Brass Ravello deco style wall lights with 2 tier detail, Seller No. LW1042, 1stDibs No. LU897219131152 from 1stdibs.com, visited Jul. 27, 2021. (Year: 2021).\*

Art Deco Style Venini Glass Rod and Brass Wall Sconces from Ed Butcher Antiques dated Dec. 31, 2019. (Year: 2019).\*

\* cited by examiner

*Primary Examiner* — Clare E Heflin

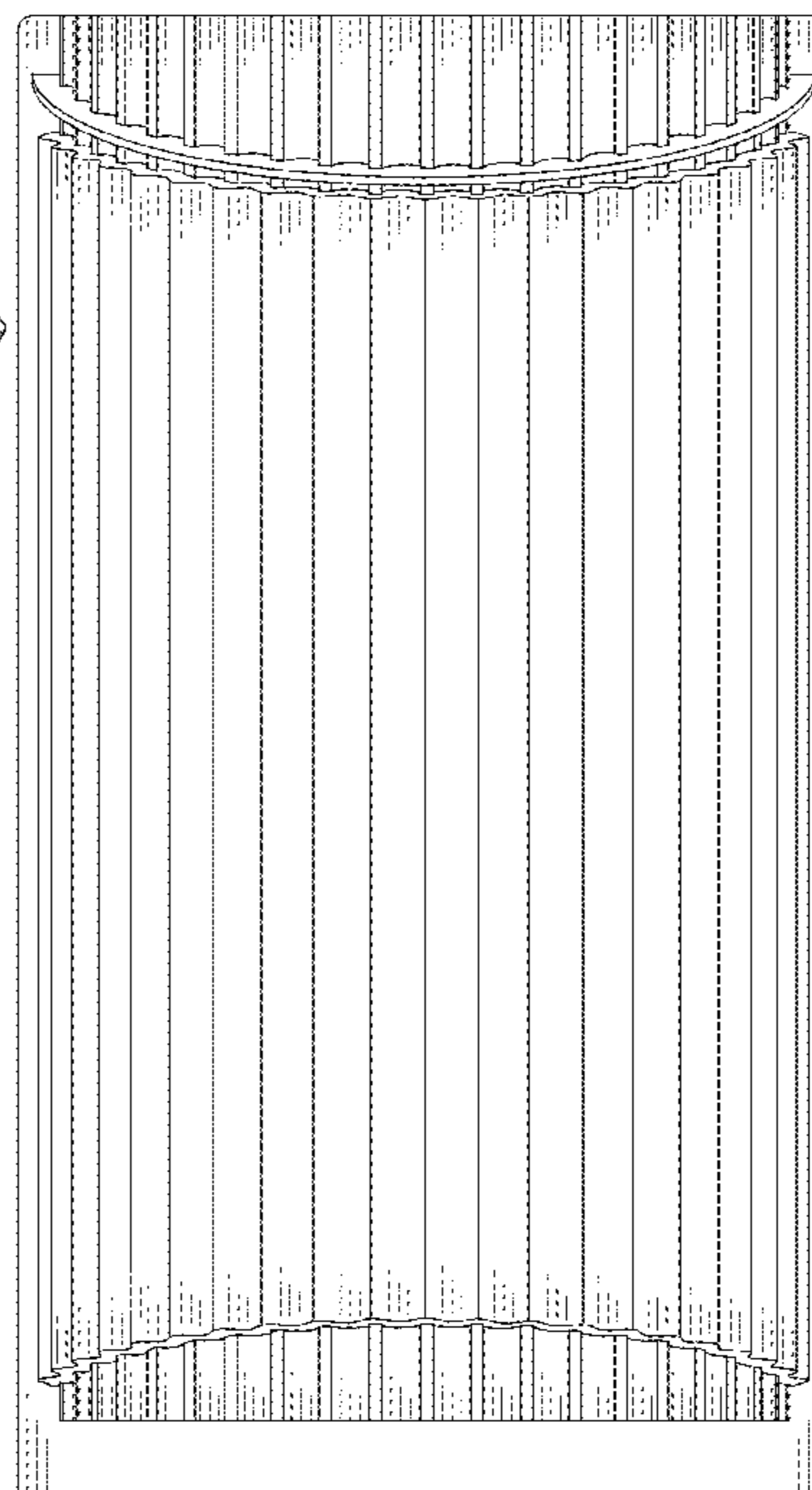
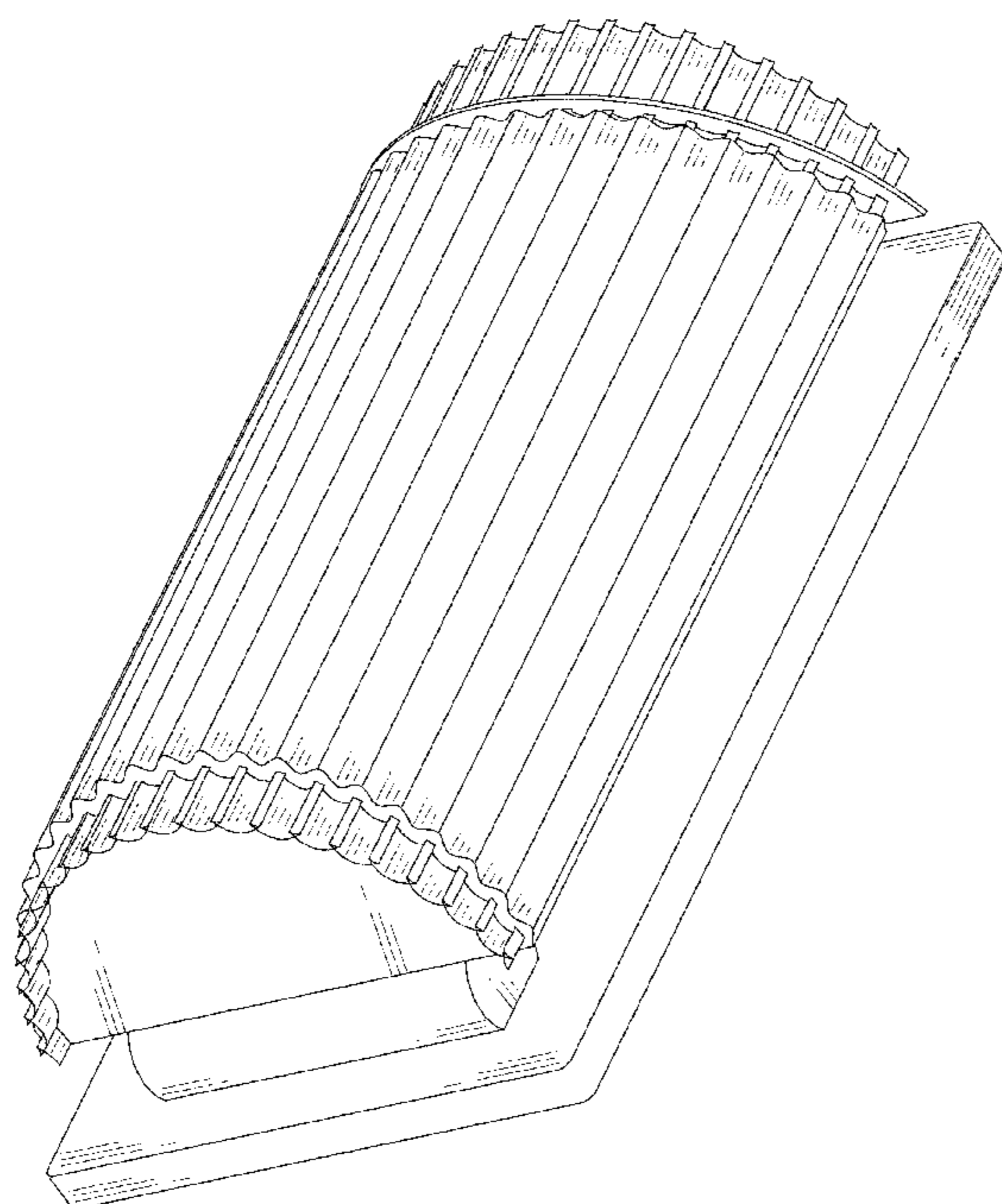
(57) **CLAIM**

I claim the ornamental design for a solar wall light, as shown and described.

**DESCRIPTION**

FIG. 1 is a perspective view of a solar wall light showing my new design;  
FIG. 2 is a front elevational view thereof;  
FIG. 3 is a rear elevational view thereof;  
FIG. 4 is a left side elevational view thereof;  
FIG. 5 is a right side elevational view thereof;  
FIG. 6 is a top plan view thereof;  
FIG. 7 is a bottom plan view thereof; and,  
FIG. 8 is a rear, right and top perspective view thereof.

**1 Claim, 8 Drawing Sheets**



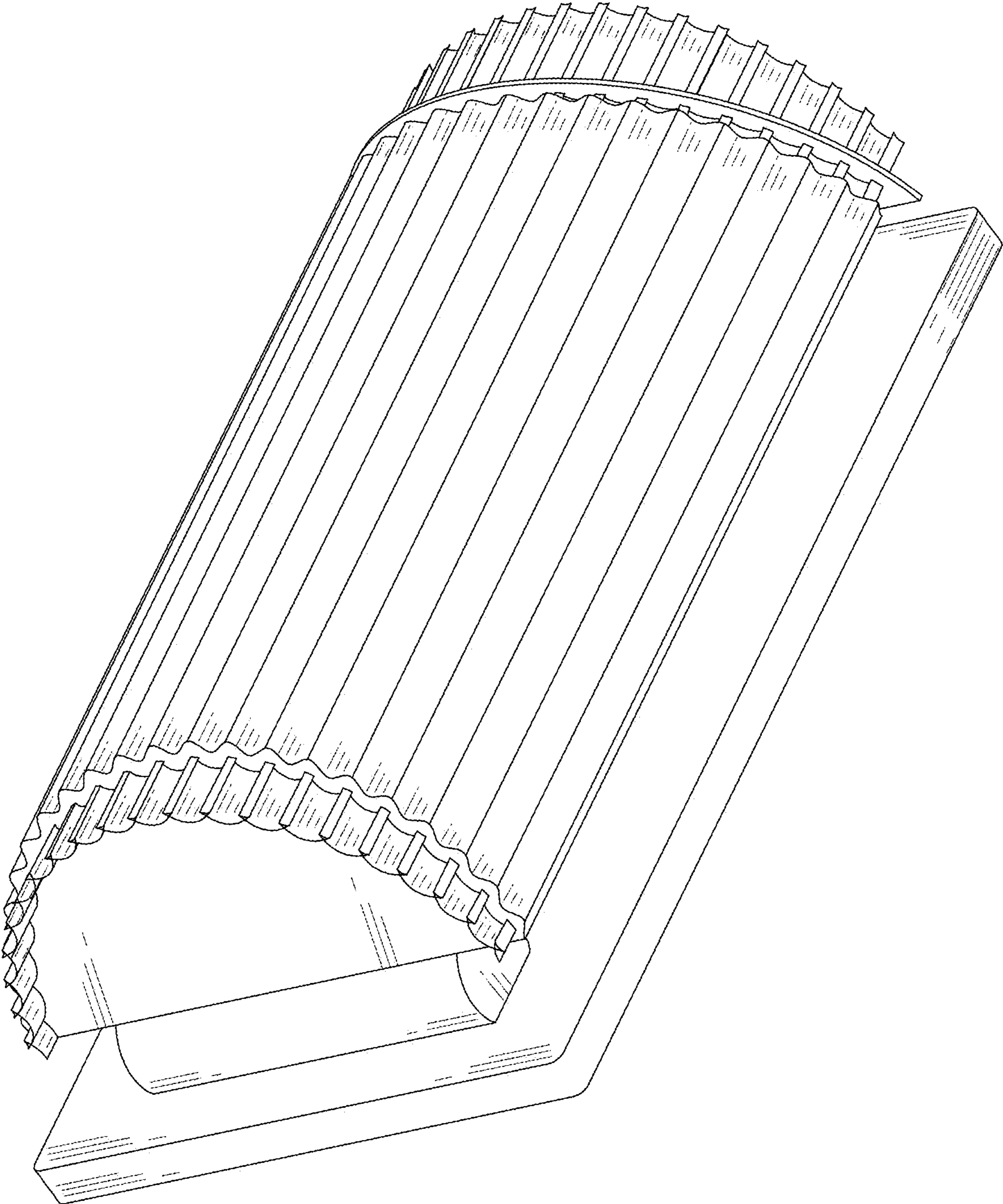


FIG. 1

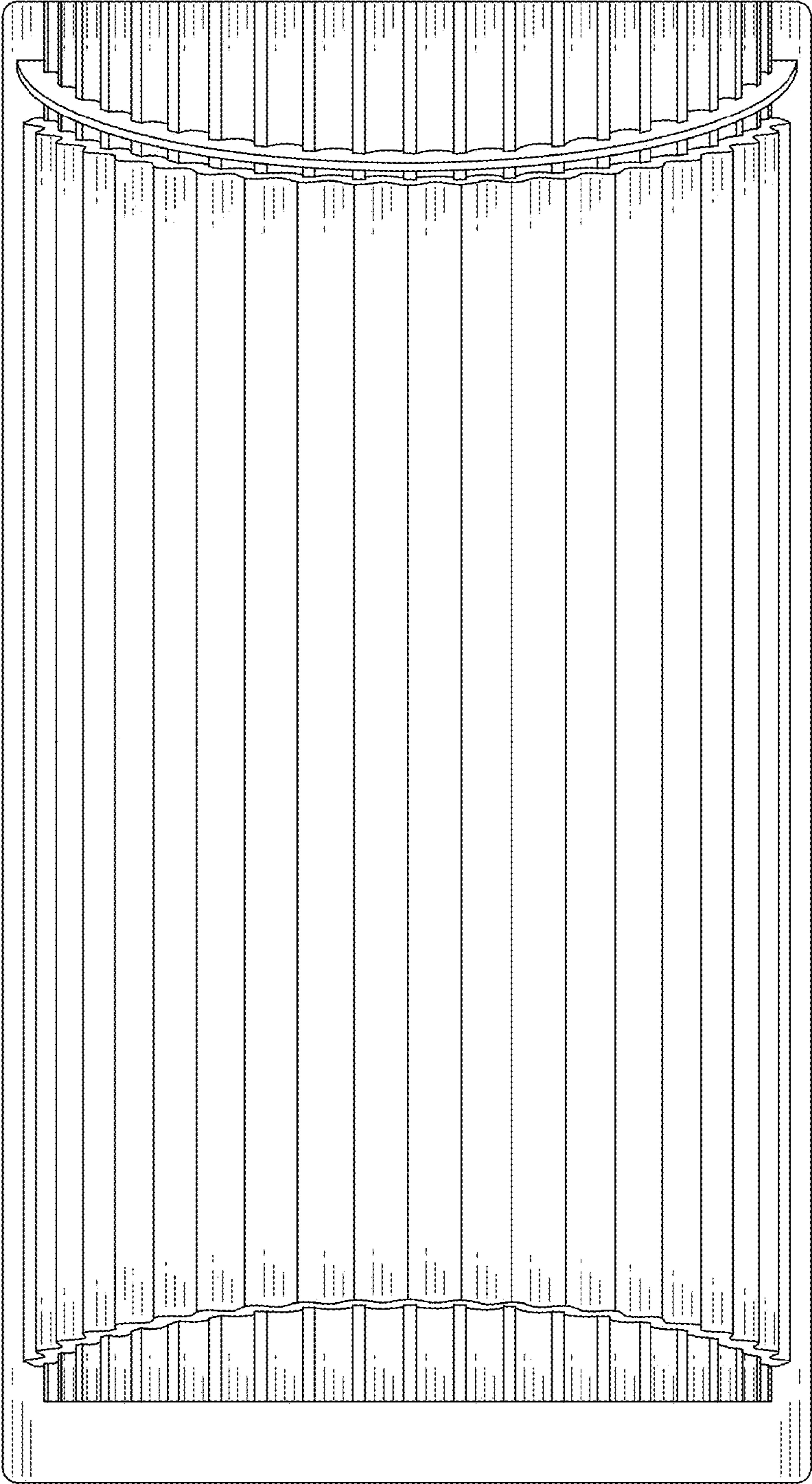


FIG. 2

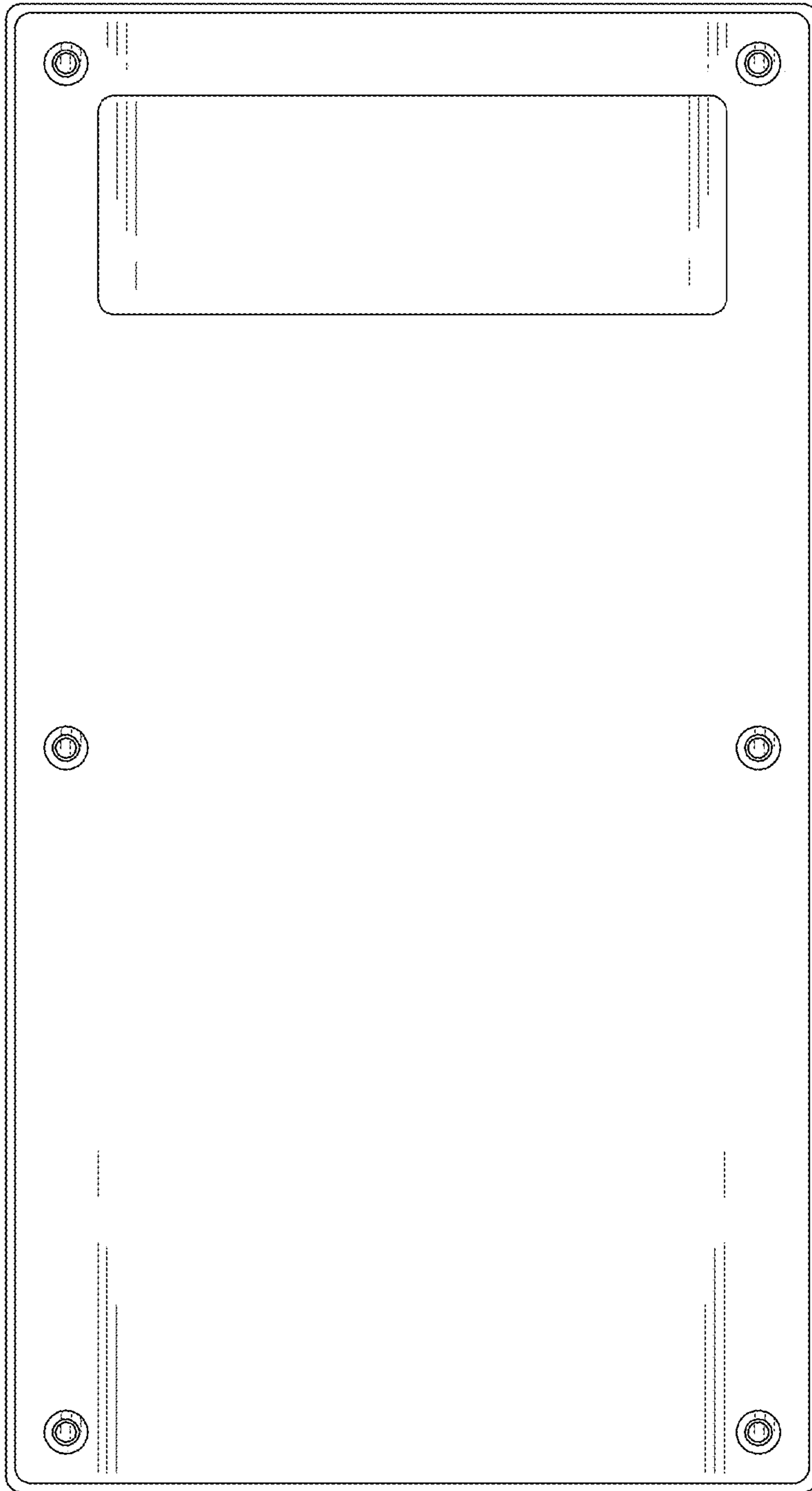


FIG. 3

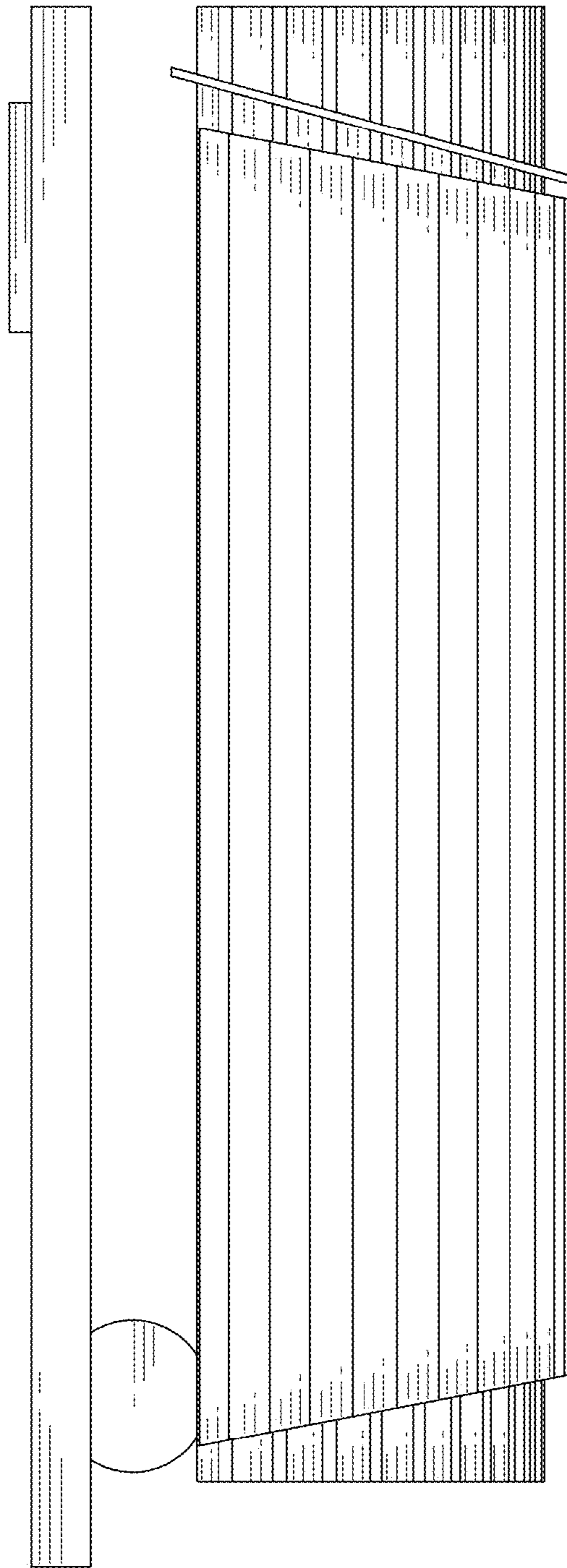


FIG. 4

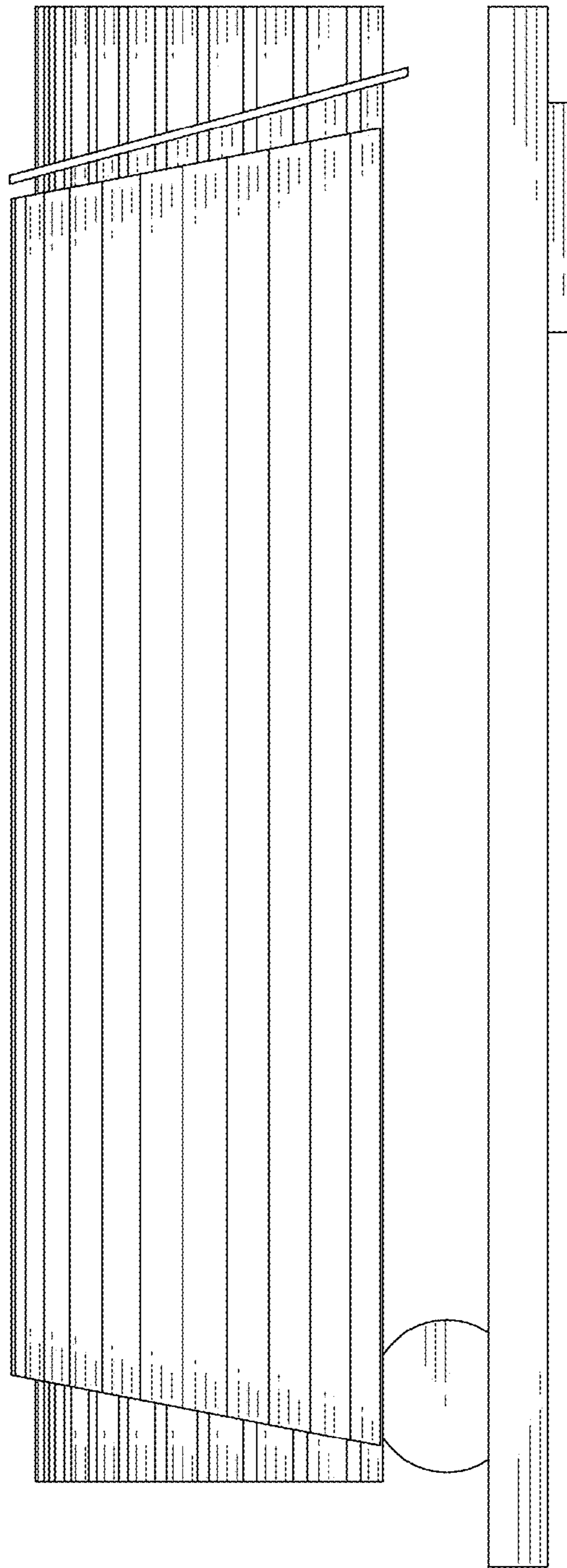


FIG. 5

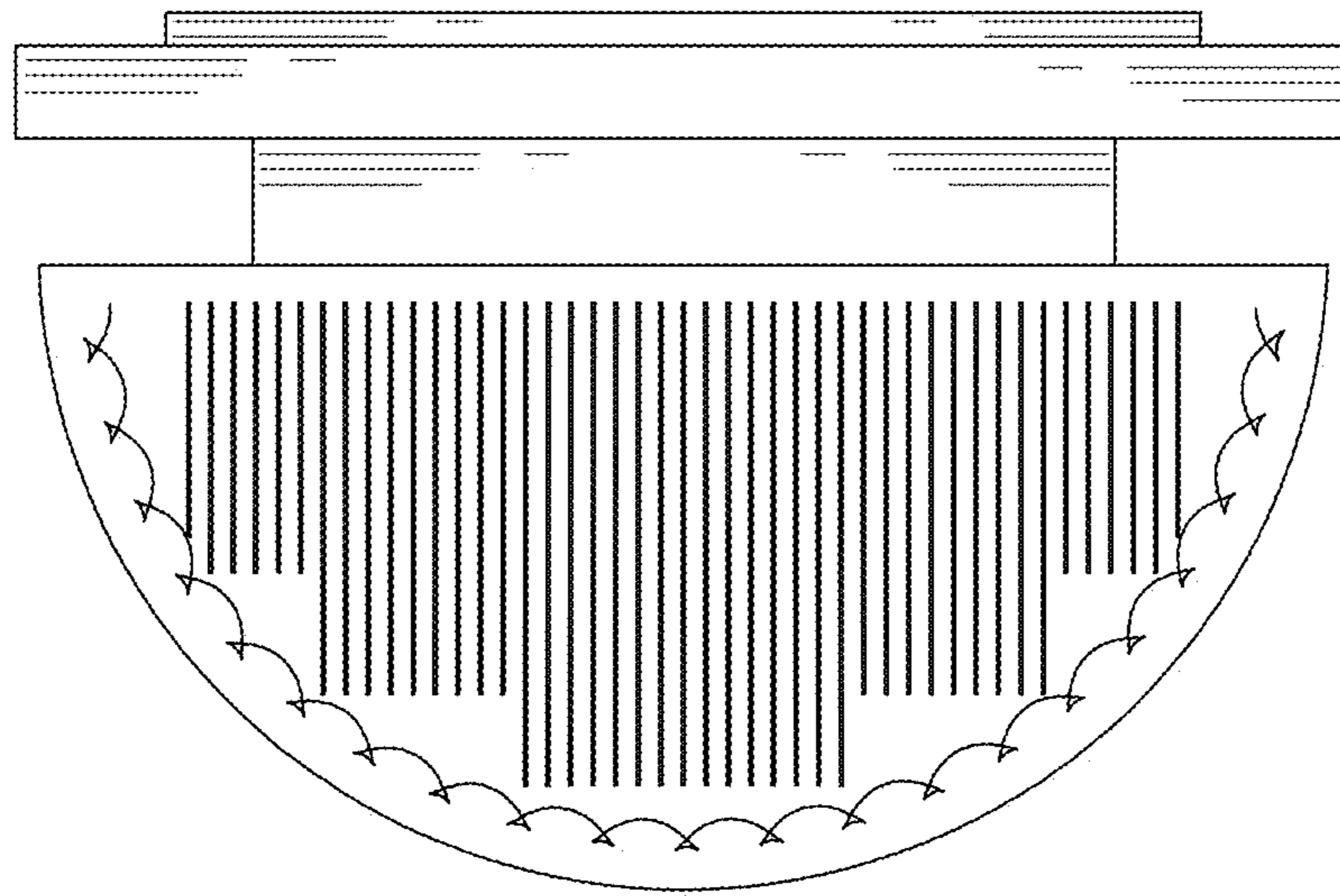


FIG. 6

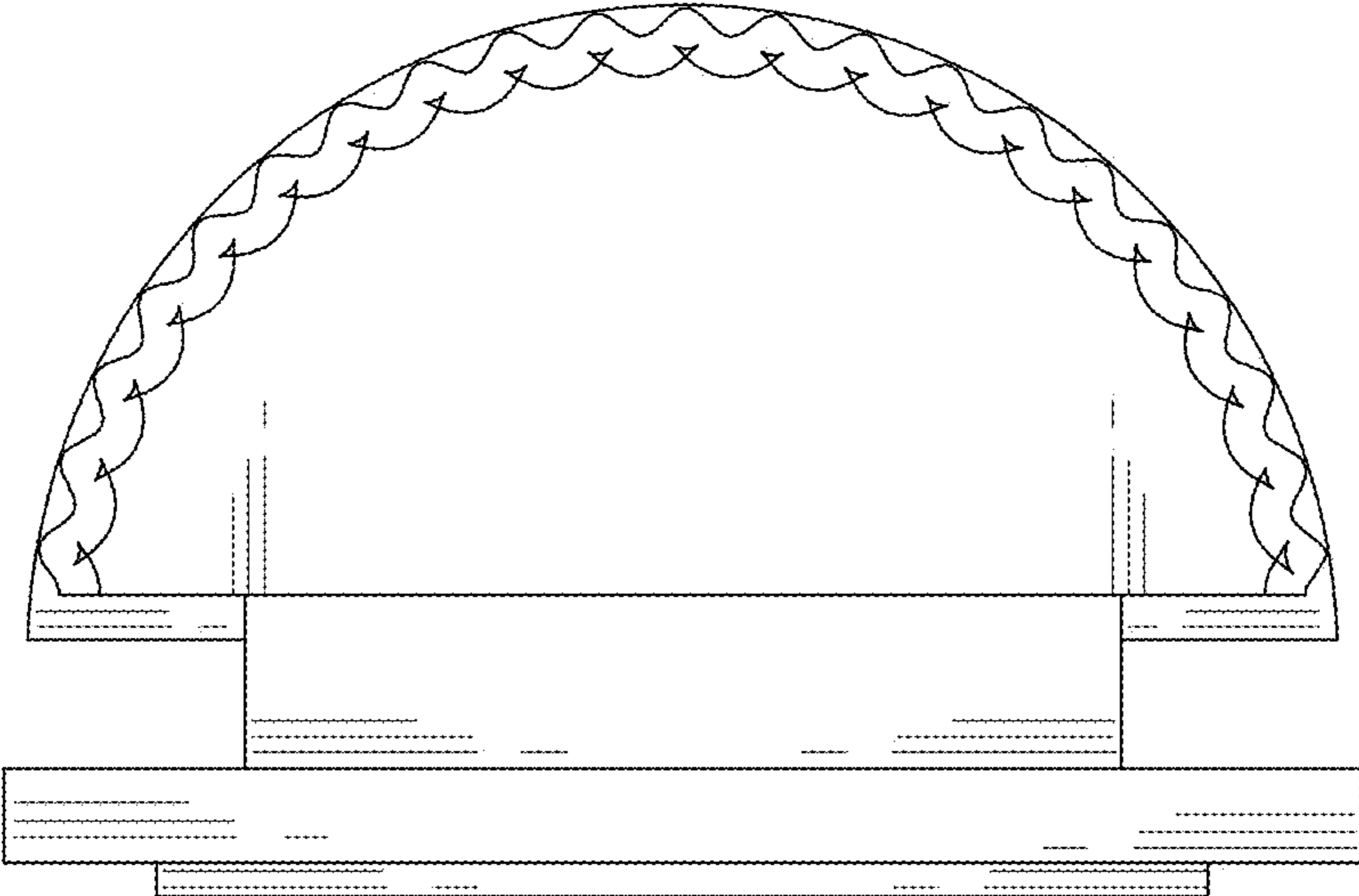


FIG. 7



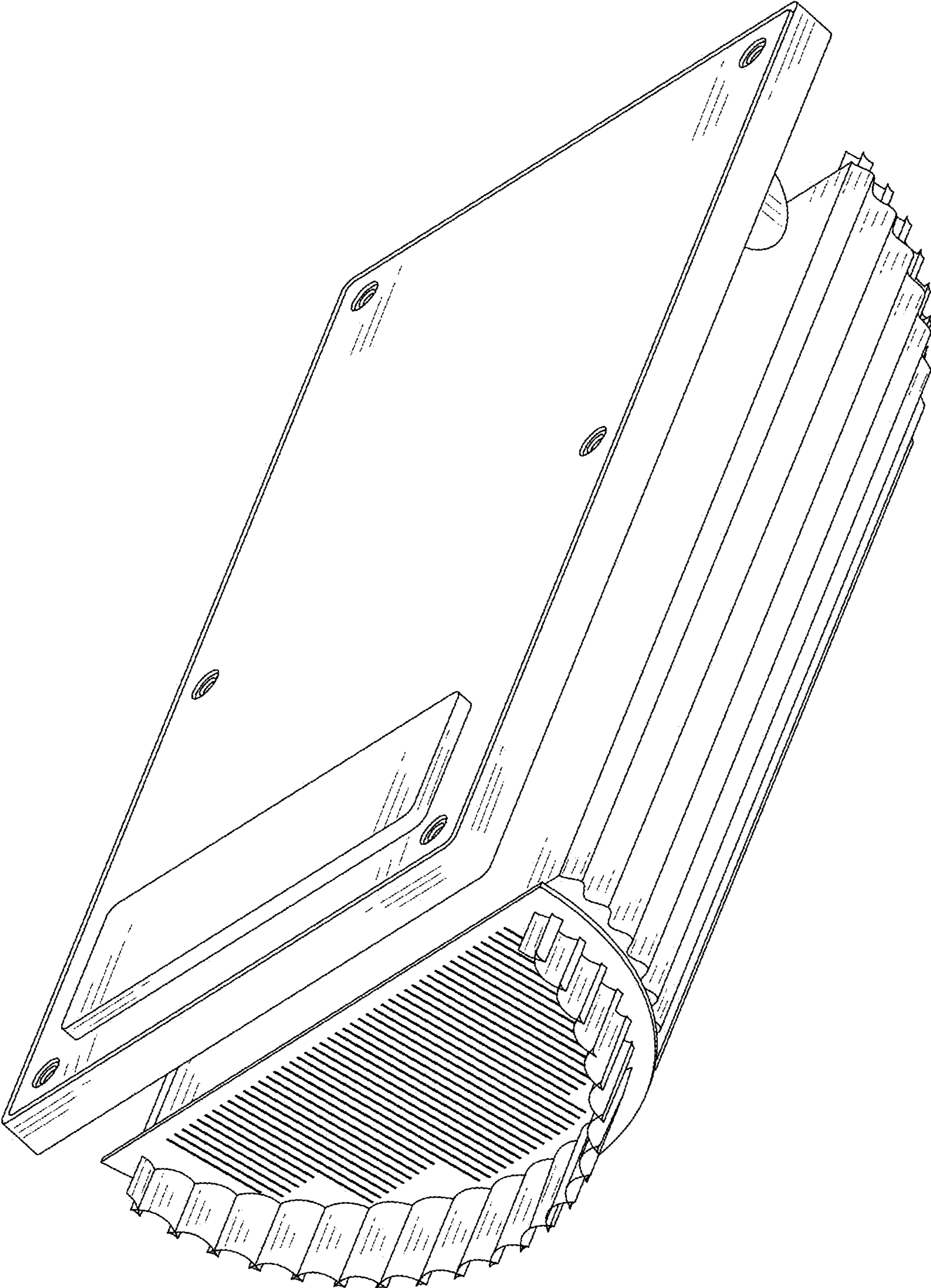


FIG. 8