



US00D936889S

(12) **United States Design Patent** (10) **Patent No.:** **US D936,889 S**  
**Yu et al.** (45) **Date of Patent:** **\*\* Nov. 23, 2021**

(54) **LINEAR CATADIOPTRIC LENS ASSEMBLY**  
(71) Applicant: **VODE LIGHTING LLC**, Sonoma, CA (US)  
(72) Inventors: **Scott Yu**, Tiburon, CA (US); **Richard Wong**, Santa Rosa, CA (US)  
(73) Assignee: **VODE LIGHTING, INC.**, Sonoma, CA (US)  
(\*\*) Term: **15 Years**  
(21) Appl. No.: **29/729,902**  
(22) Filed: **Mar. 31, 2020**  
(51) **LOC (13) Cl.** ..... **26-04**  
(52) **U.S. Cl.**  
USPC ..... **D26/76**  
(58) **Field of Classification Search**  
USPC ..... D26/142, 152, 113, 118, 119, 154, 61, D26/62, 65, 75, 16, 1, 2, 3, 120, 138, D26/128, 144, 121, 122, 64, 153, 155, D26/140, 76  
CPC ..... F21Y 2101/02; F21Y 2103/003; F21Y 2103/00; F21K 9/17; F21S 4/008  
See application file for complete search history.

D887,079 S \* 6/2020 Rogers ..... H05B 45/20 D26/138  
D889,032 S \* 6/2020 Santoro ..... D26/142  
D919,877 S \* 5/2021 Klus ..... D26/138  
2007/0183156 A1\* 8/2007 Shan ..... B60Q 1/2611 362/277  
2008/0192462 A1\* 8/2008 Steedly ..... F21V 19/0055 362/218  
2012/0319583 A1\* 12/2012 Woods ..... H05B 45/00 315/86  
2019/0032873 A1\* 1/2019 Van Gompel ..... F21S 8/026  
2019/0032875 A1\* 1/2019 Ogg ..... F21S 8/043

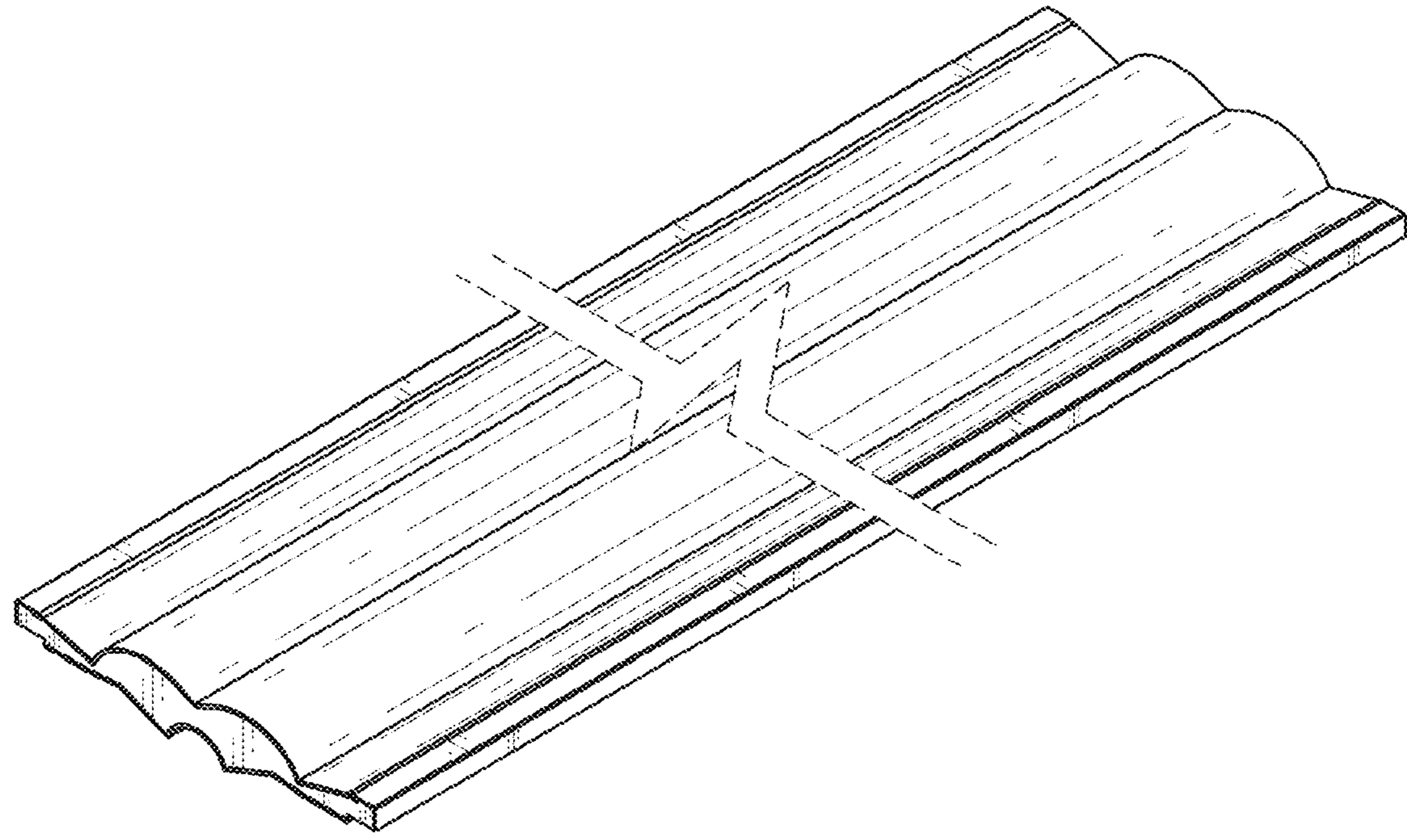
\* cited by examiner  
*Primary Examiner* — Mark A Goodwin  
*Assistant Examiner* — Benjamin M Weeks  
(74) *Attorney, Agent, or Firm* — Michael Petrin; Peter Tormey; Antero, Tormey & Petrin, PC

(56) **References Cited**  
U.S. PATENT DOCUMENTS  
D393,099 S \* 3/1998 Dolan ..... D26/142  
D644,780 S \* 9/2011 Jabra ..... D26/120  
D668,383 S \* 10/2012 Schieffelin ..... D26/142  
D731,110 S \* 6/2015 Poppenheimer ..... D26/120  
D773,712 S \* 12/2016 Cavaliere ..... D26/75  
D869,075 S \* 12/2019 Trzecieli ski ..... D26/138  
D876,001 S \* 2/2020 Sugiyama ..... D26/138

(57) **CLAIM**  
We claim the ornamental design for a linear catadioptric lens assembly, as shown and described.

**DESCRIPTION**  
FIG. 1 is a top perspective view of an embodiment of a linear catadioptric lens assembly, showing the new design;  
FIG. 2 is a left side view thereof;  
FIG. 3 is a right side view thereof;  
FIG. 4 is a top view thereof;  
FIG. 5 is a bottom view thereof;  
FIG. 6 is a back view thereof; and,  
FIG. 7 is a front view thereof.  
The broken line showing of a bracket is meant to indicate indeterminate length. The bracket and the space in between the bracket from no part of the claimed design.

**1 Claim, 5 Drawing Sheets**



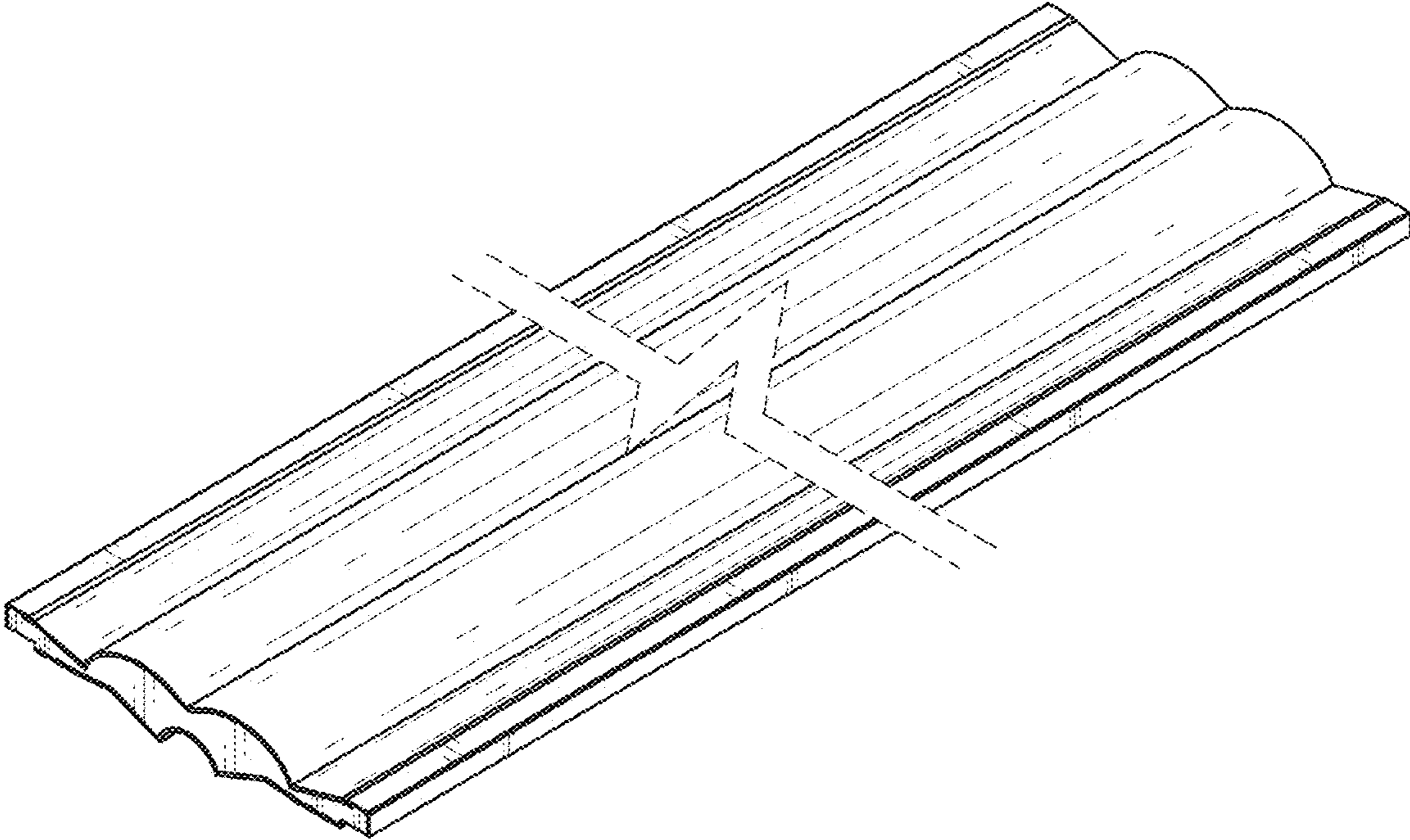


FIG. 1

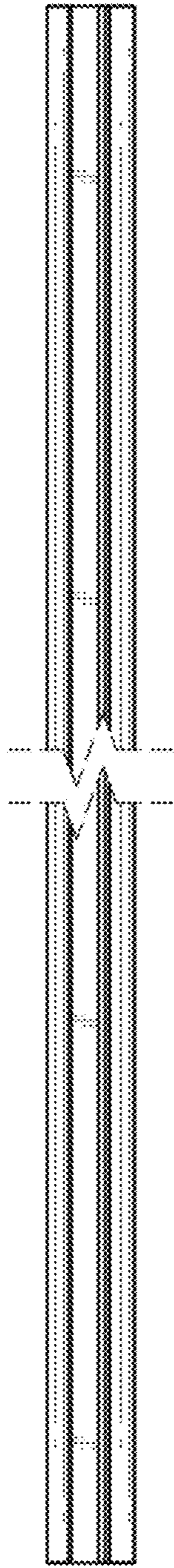


FIG. 2

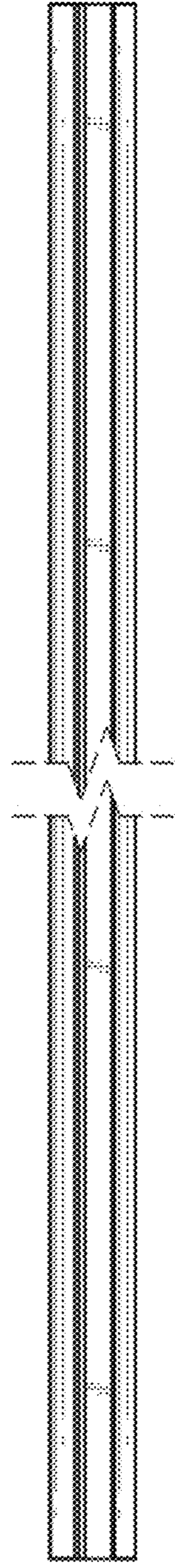


FIG. 3

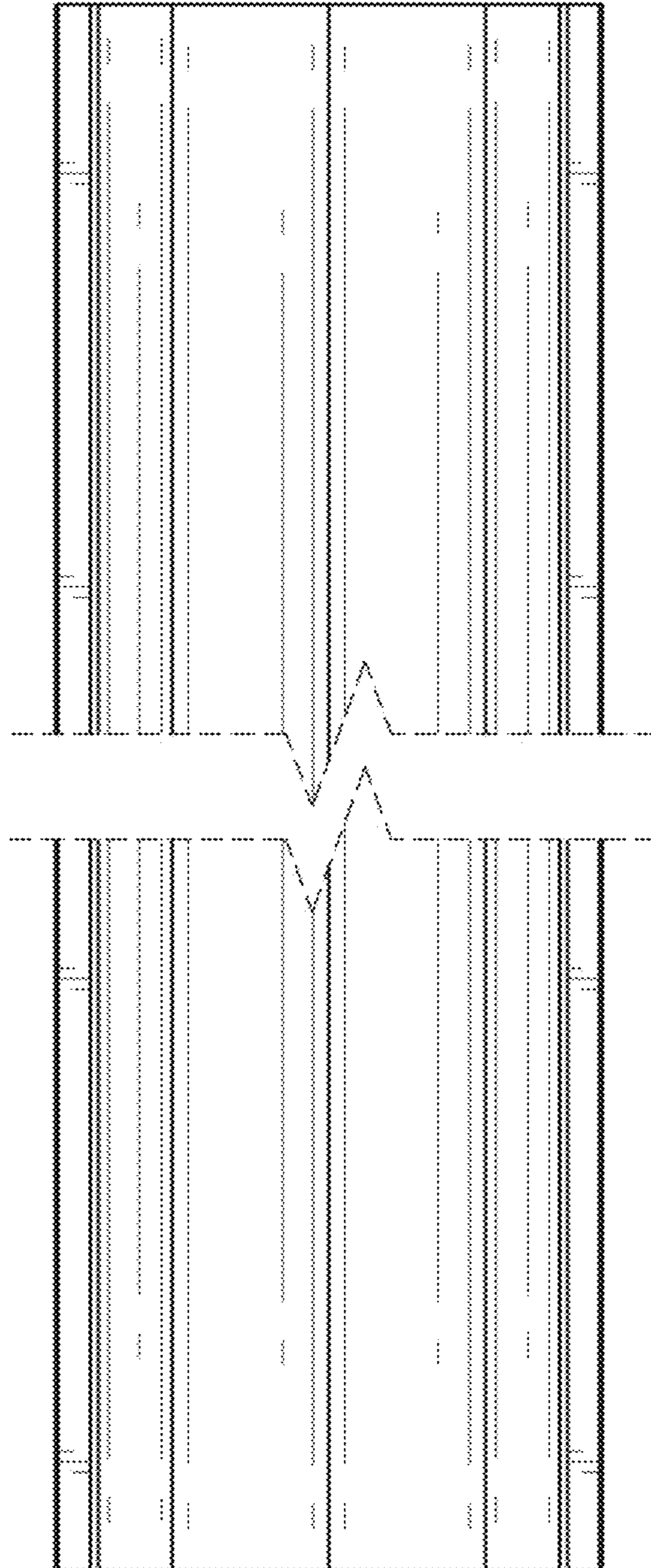


FIG. 4

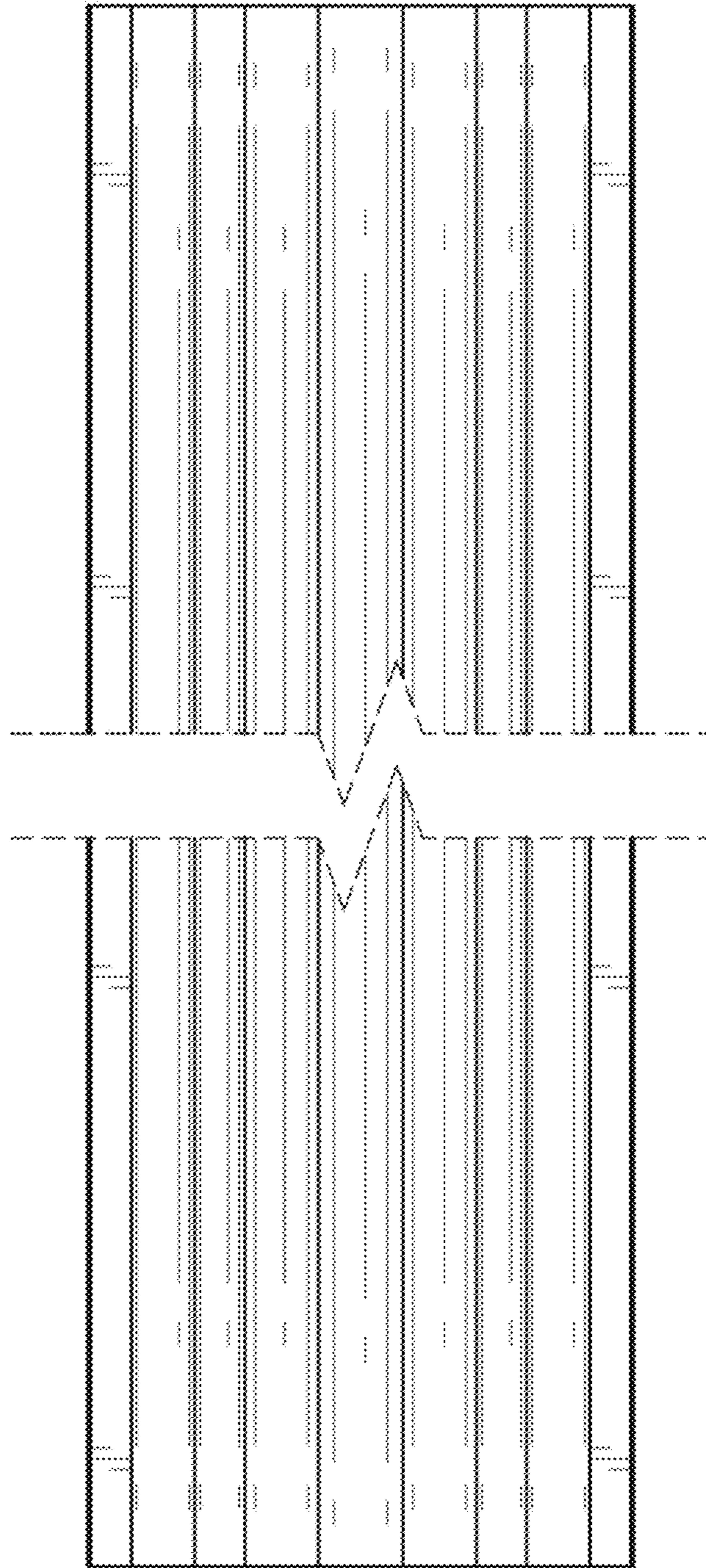


FIG. 5



FIG. 6



FIG. 7