



US00D936888S

(12) **United States Design Patent**
Klein

(10) **Patent No.:** **US D936,888 S**

(45) **Date of Patent:** **** Nov. 23, 2021**

(54) **LOW VOLTAGE FISH HOUSE LIGHT**

(71) Applicant: **Northern Lights Rattle Reel LLC,**
Willmar, MN (US)

(72) Inventor: **Justin Klein,** Willmar, MN (US)

(73) Assignee: **Northern Lights Rattle Reel LLC,**
Willmar, MN (US)

(**) Term: **15 Years**

(21) Appl. No.: **29/667,083**

(22) Filed: **Oct. 18, 2018**

(51) **LOC (13) Cl.** **26-05**

(52) **U.S. Cl.**
USPC **D26/74**

(58) **Field of Classification Search**
USPC D26/74, 72, 75, 76, 77, 78, 85, 88, 89,
D26/118, 138, 141; 362/364, 365, 373,
362/145, 146, 147, 148, 150, 153, 153.1,
362/294, 296.01, 296.07, 296.08
CPC F21V 29/2262; F21V 7/06; F21V 21/044;
F21V 21/047; F21V 29/2212; F21V
29/2225; F21V 29/2256; F21V 29/225;
F21V 29/2268; F21Y 2111/002; F21S
8/02; F21S 8/026

See application file for complete search history.

(56) **References Cited**

U.S. PATENT DOCUMENTS

D389,597 S * 1/1998 Gismondi D26/74
D397,486 S * 8/1998 Engle D26/85

D544,128 S * 6/2007 Carro D26/63
D568,522 S * 5/2008 Engel D26/74
D646,417 S * 10/2011 Wauters D26/63
D677,418 S * 3/2013 Wilson D26/74
D698,069 S * 1/2014 Messisaen D26/74
D824,568 S * 7/2018 Farzan D26/74
D854,726 S * 7/2019 Goetz-Schaefer D26/74
D855,234 S * 7/2019 Qiu D26/74
D877,390 S * 3/2020 Farzan D26/74
D890,976 S * 7/2020 Farzan D26/74
2009/0086476 A1 * 4/2009 Tickner F21V 29/70
362/231

* cited by examiner

Primary Examiner — Angela J Lee

(74) *Attorney, Agent, or Firm* — Haugen Law Firm PLLP

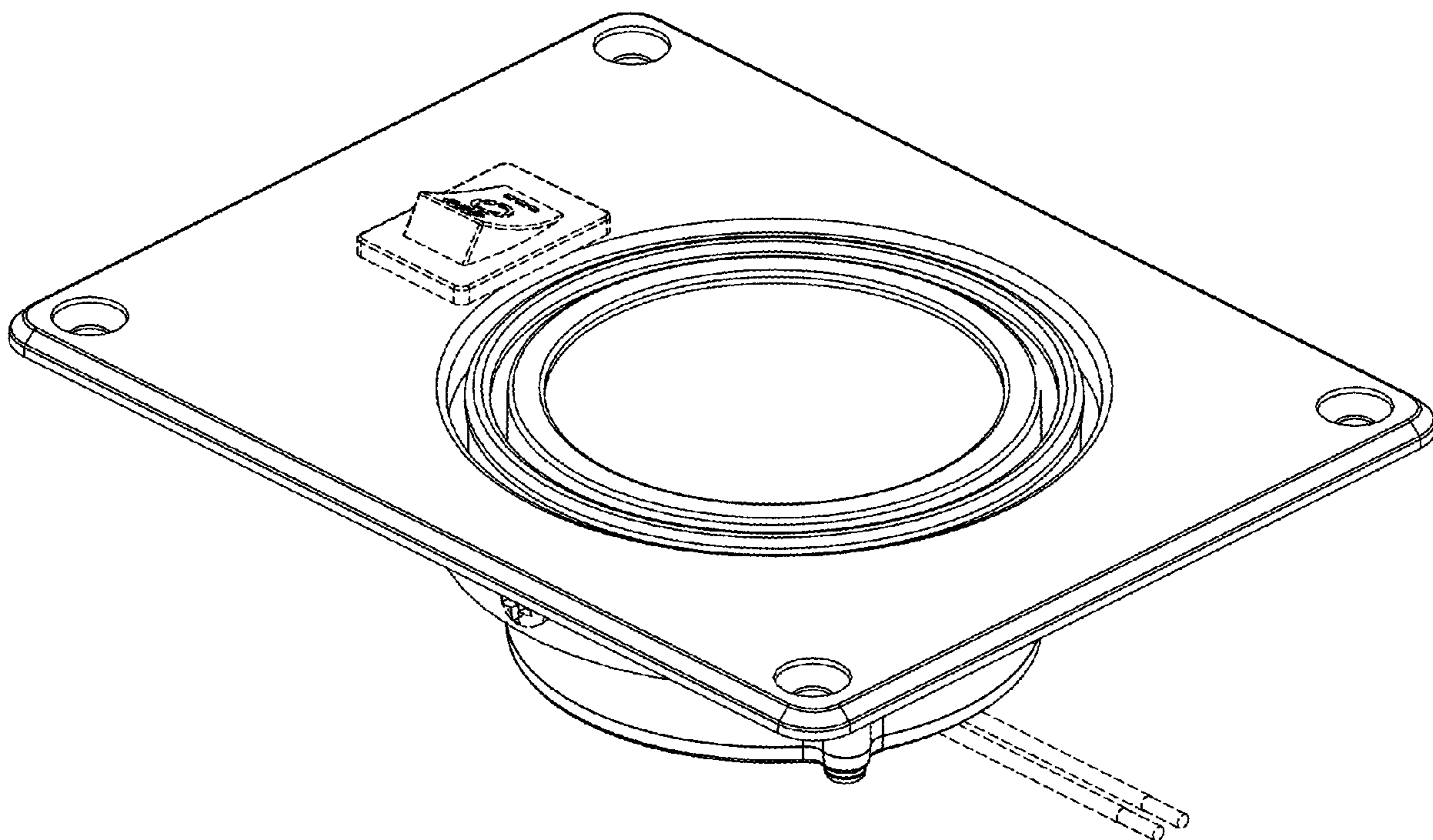
(57) **CLAIM**

The ornamental design for a low voltage fish house light, as shown and described.

DESCRIPTION

FIG. 1 is a front top left-side perspective view of the low voltage fish house light of the present invention;
FIG. 2 is a front view thereof;
FIG. 3 is a back view thereof;
FIG. 4 is a left side view thereof;
FIG. 5 is a right side view thereof;
FIG. 6 is a top view thereof;
FIG. 7 is a bottom view thereof; and,
FIG. 8 is a bottom back right perspective view thereof.

1 Claim, 8 Drawing Sheets



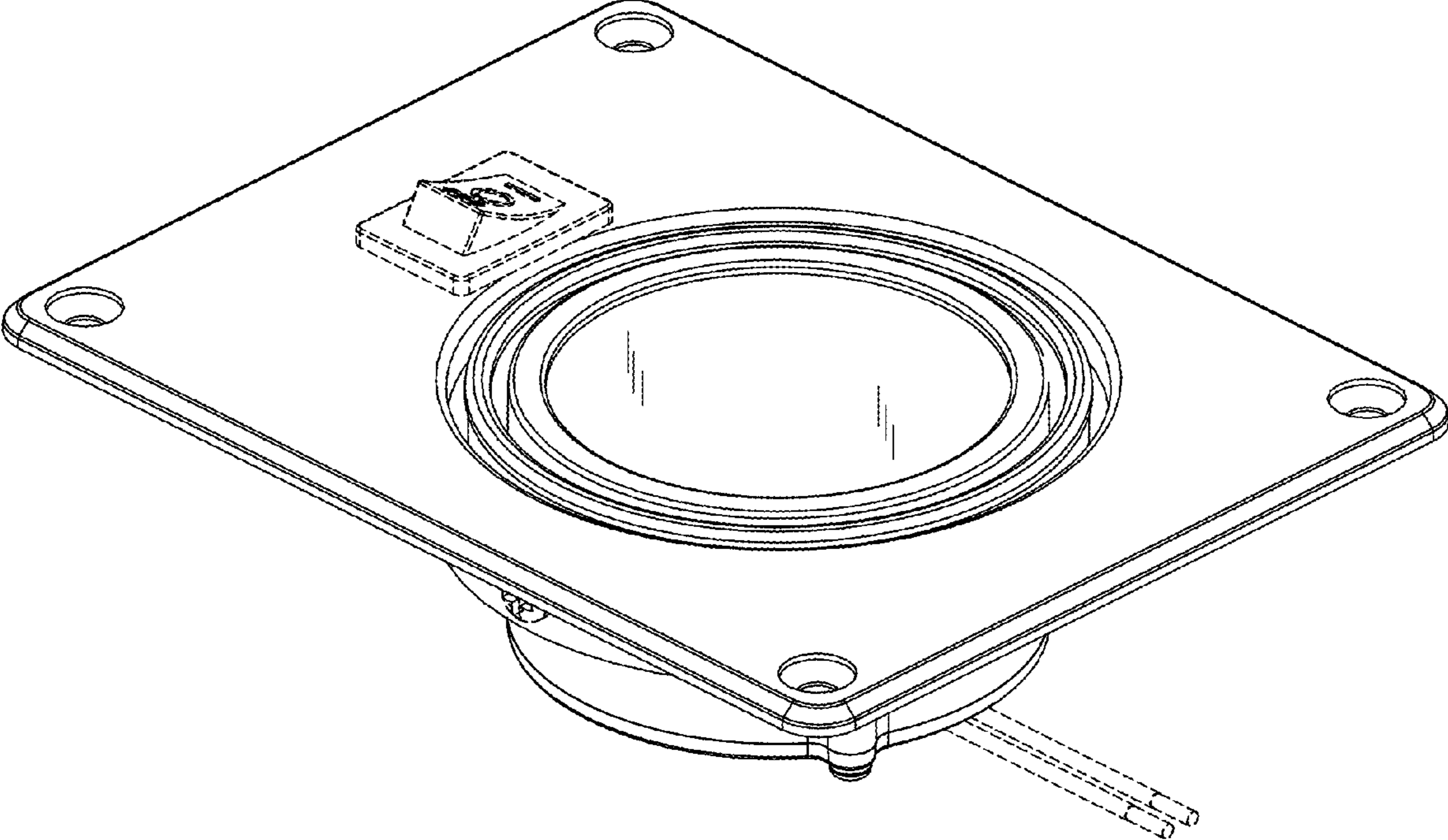


FIG. 1

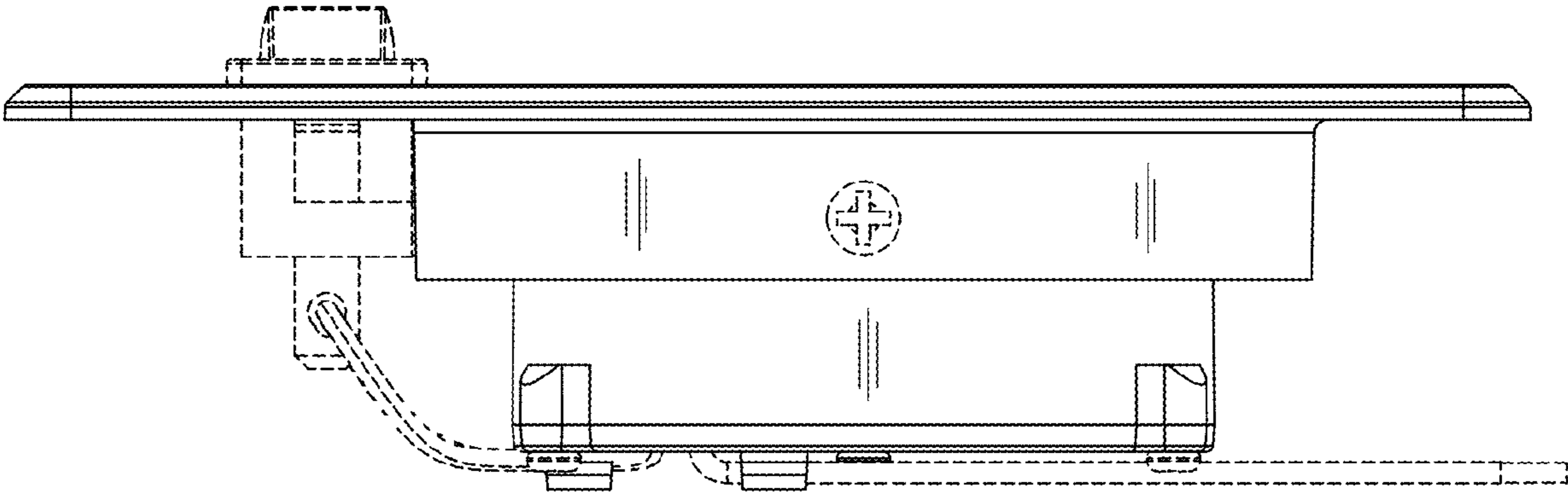


FIG. 2

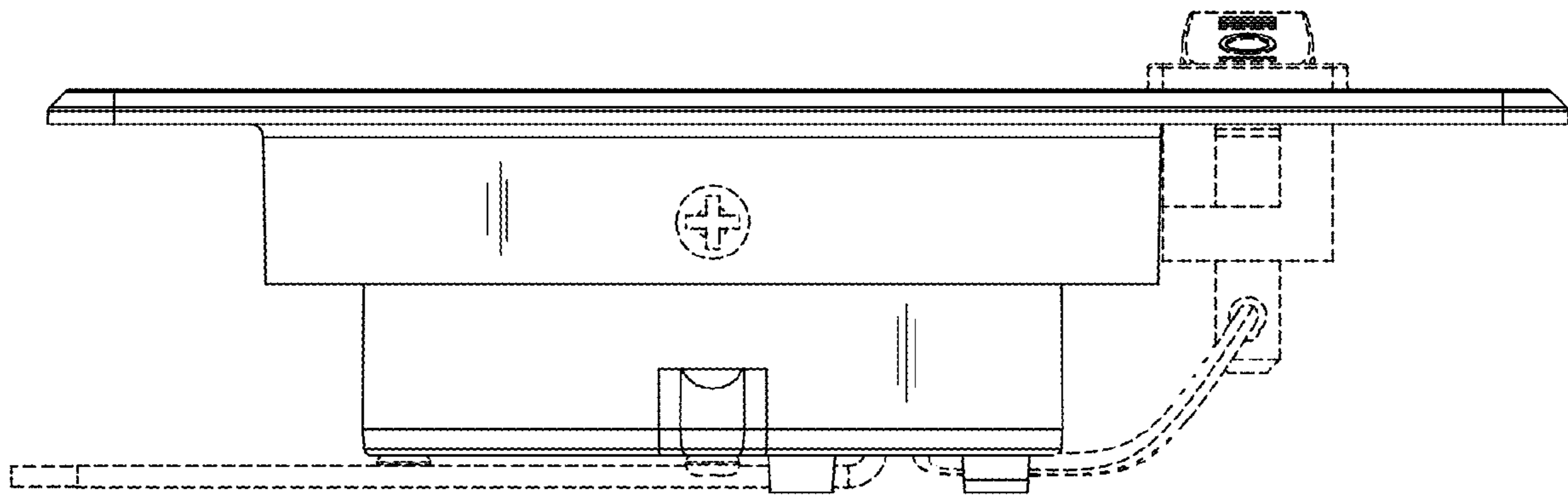


FIG. 3

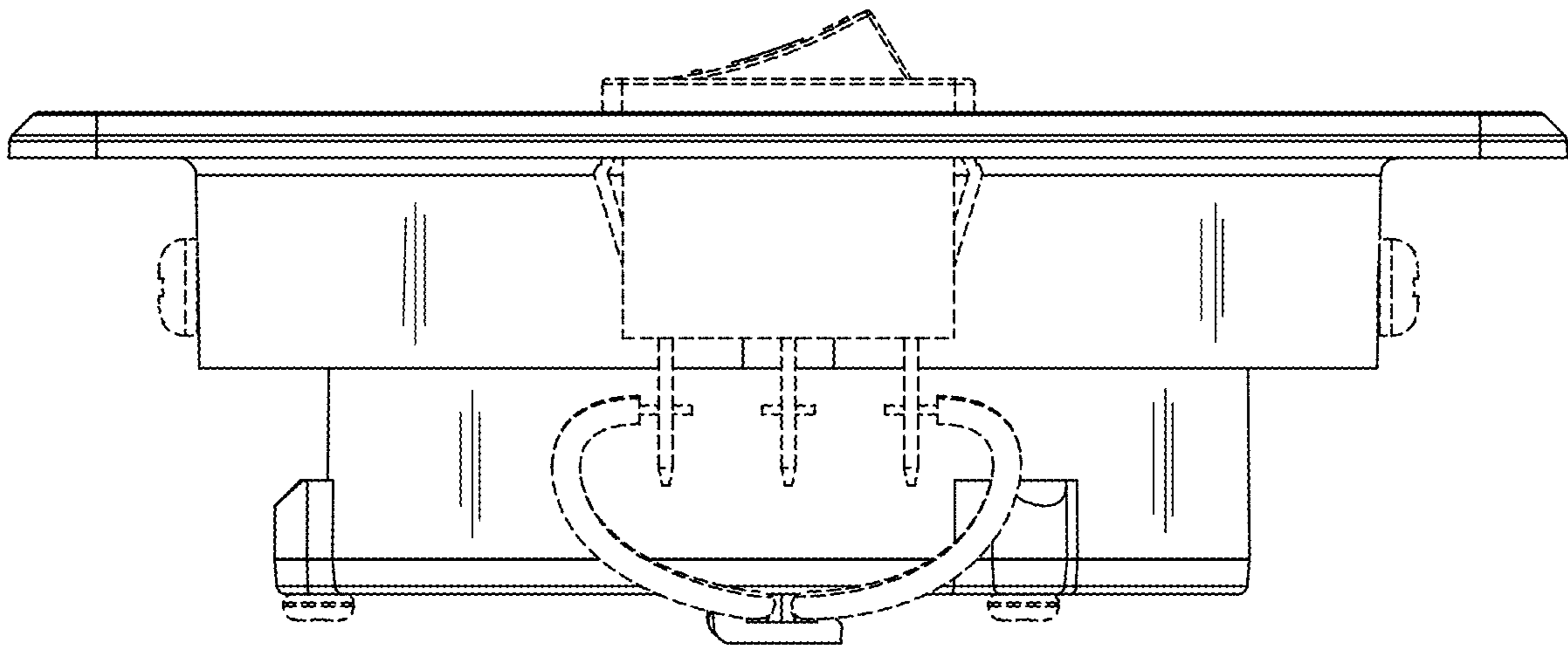


FIG. 4

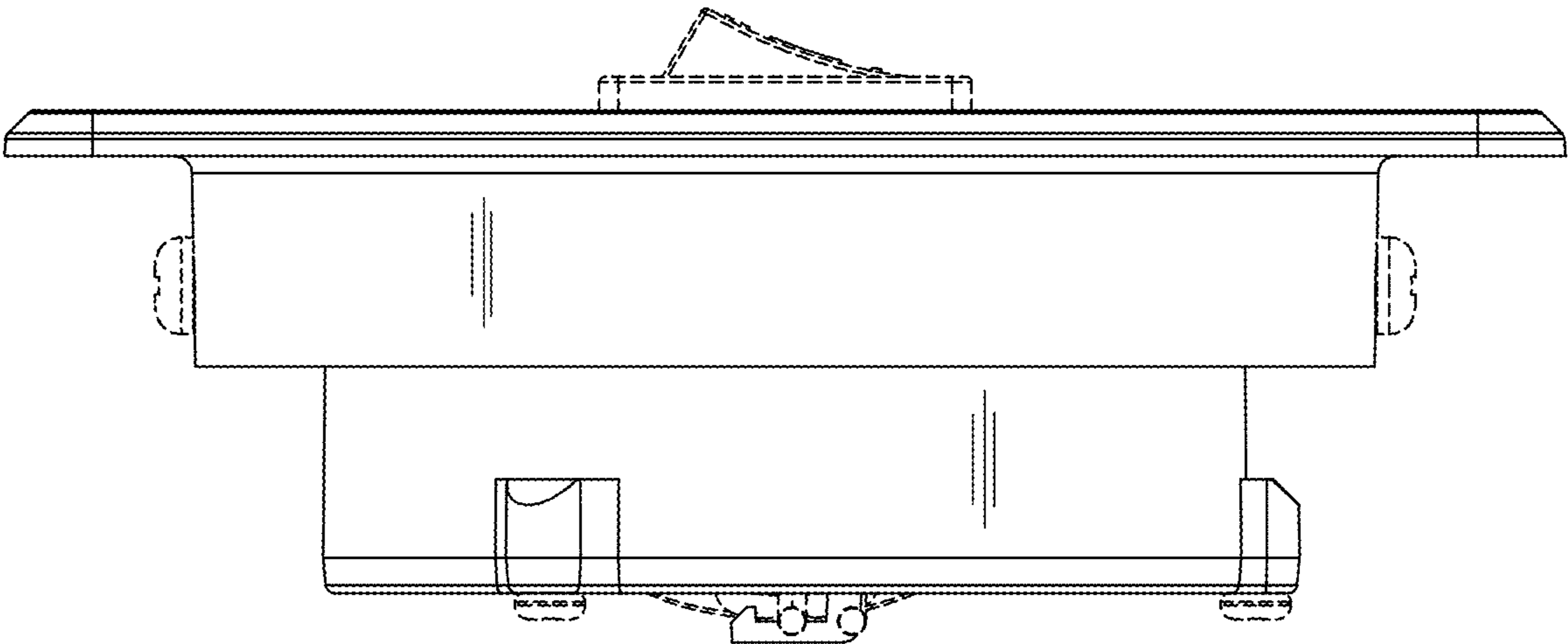


FIG. 5

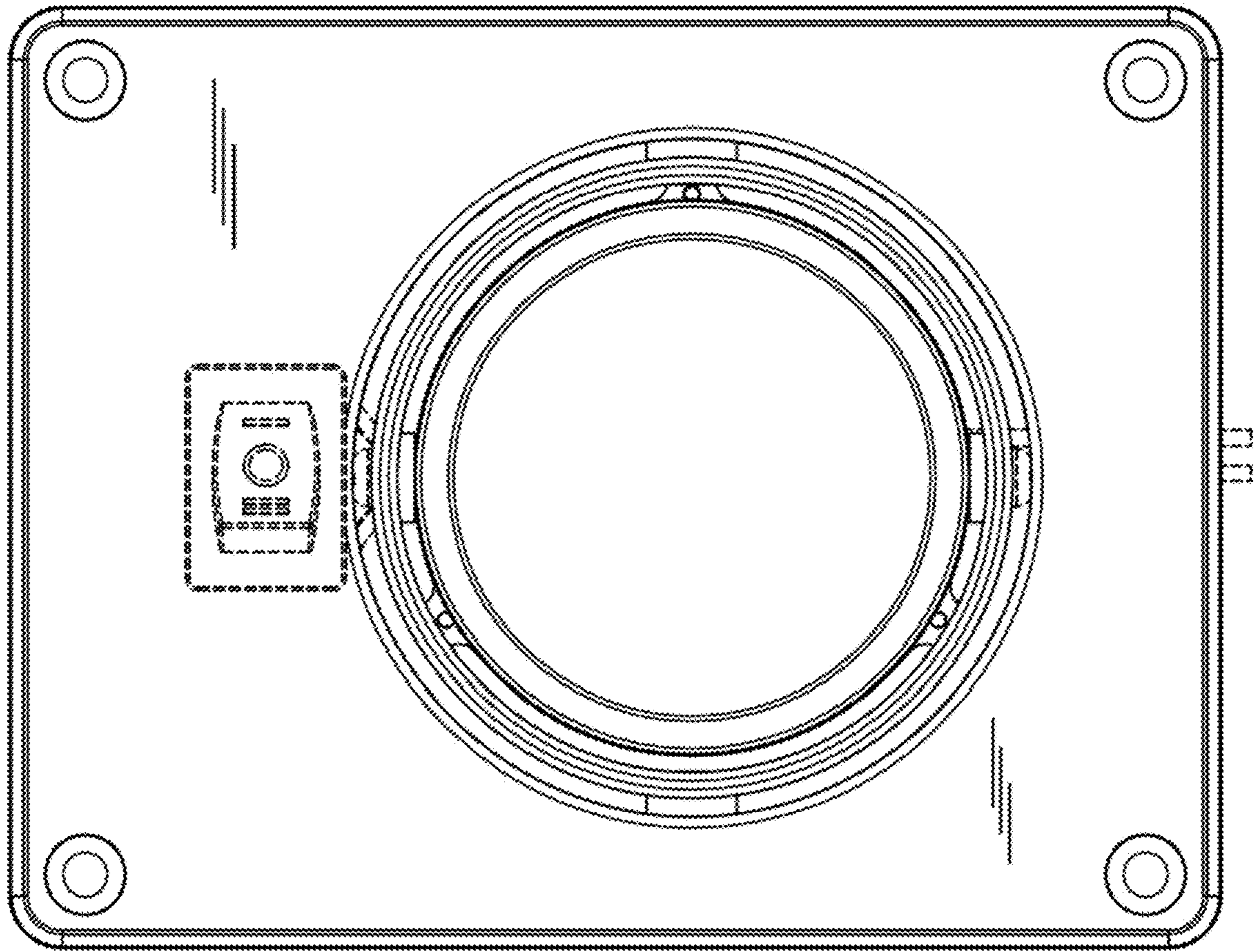


FIG. 6

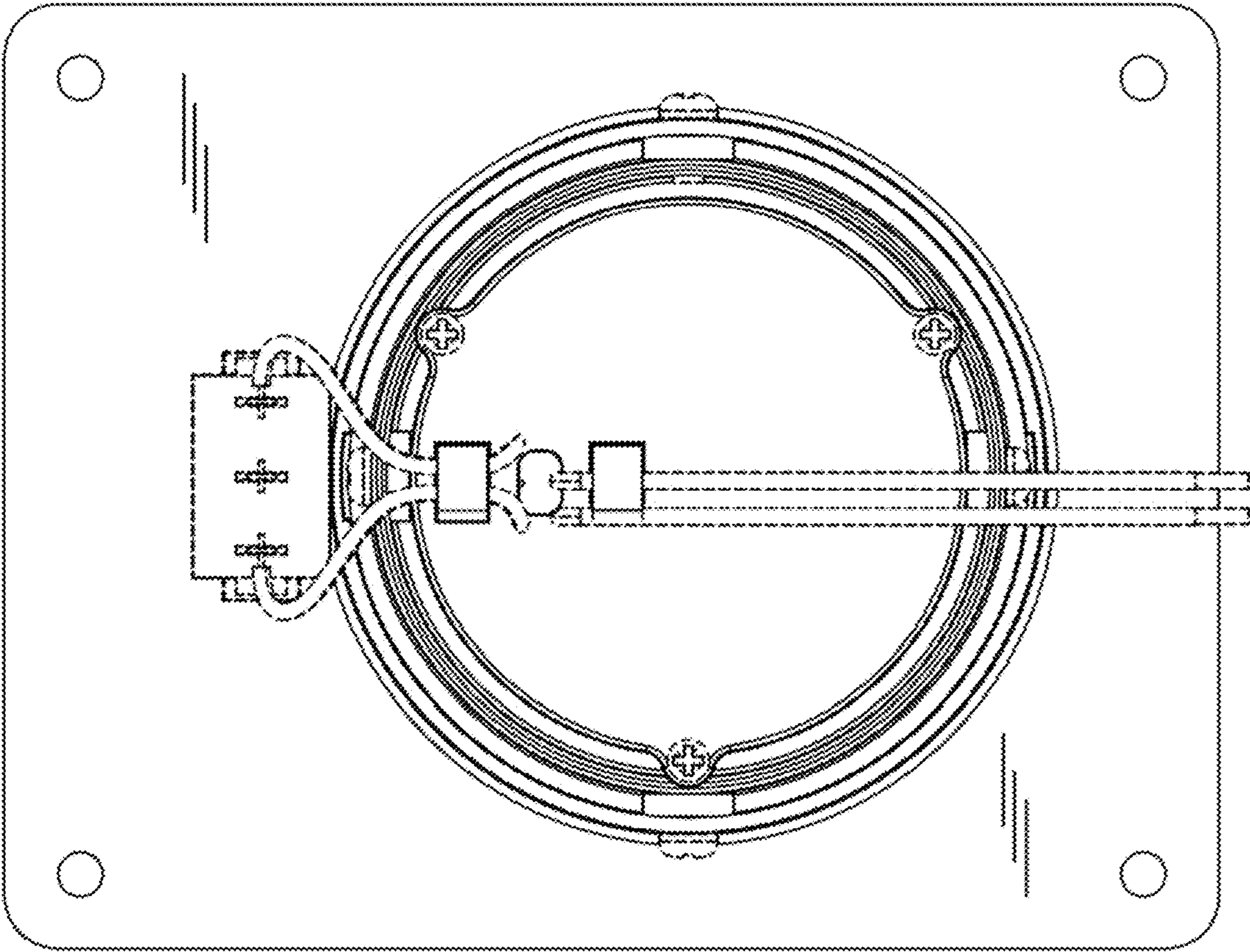


FIG. 7

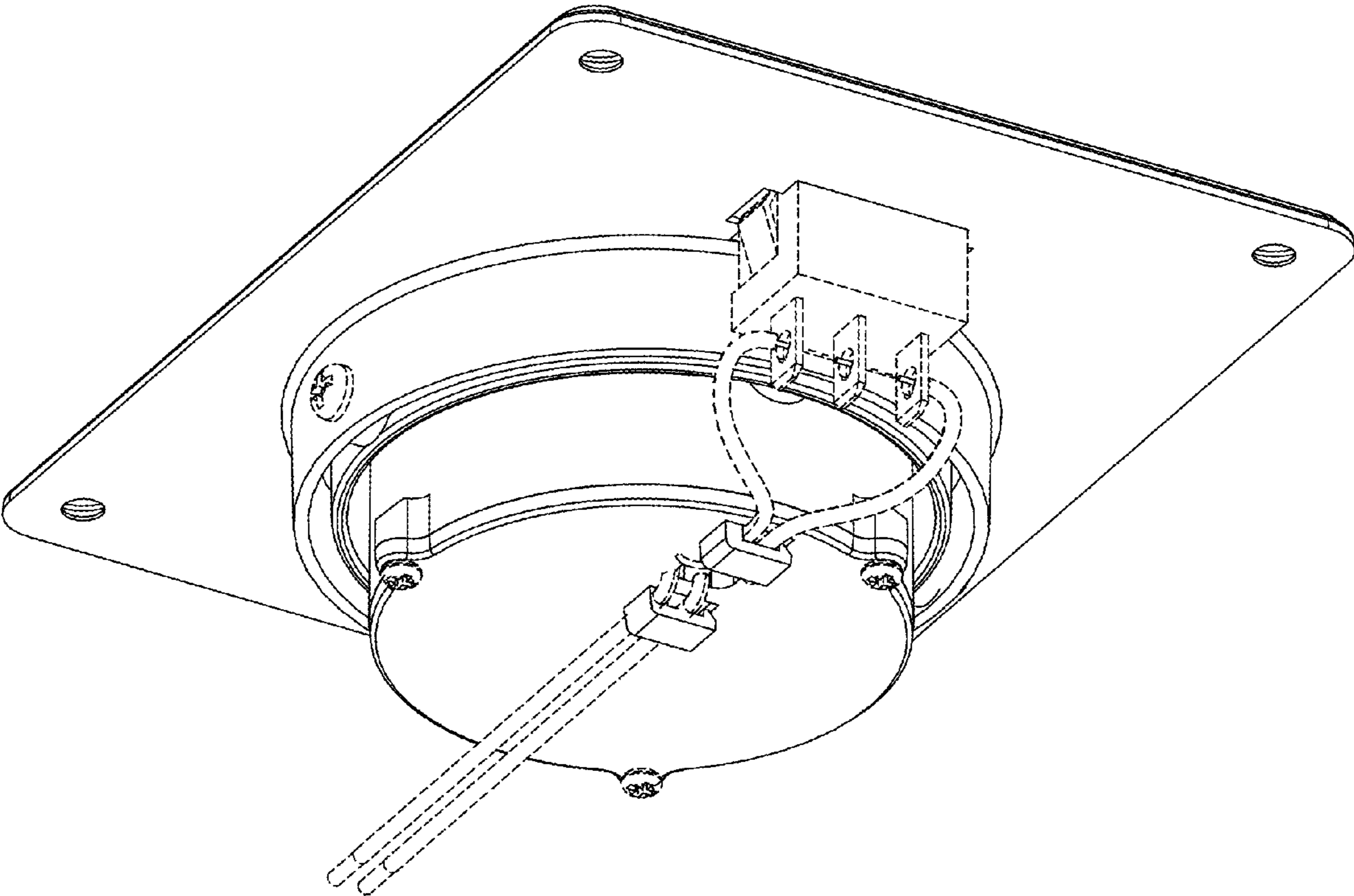


FIG. 8