

US00D936887S

(12) **United States Design Patent**  
**Yan**

(10) **Patent No.:** **US D936,887 S**

(45) **Date of Patent:** **\*\* Nov. 23, 2021**

(54) **SOLAR LAMP**

(71) Applicant: **NINGBO WENJUN ELECTRONICS CO., LTD.**, Ningbo (CN)

(72) Inventor: **Wei Yan**, Ningbo (CN)

(73) Assignee: **NINGBO WENJUN ELECTRONICS CO., LTD.**, Ningbo (CN)

(\*\*) Term: **15 Years**

(21) Appl. No.: **29/759,131**

(22) Filed: **Nov. 20, 2020**

(51) **LOC (13) Cl.** ..... **26-05**

(52) **U.S. Cl.**  
USPC ..... **D26/68**

(58) **Field of Classification Search**  
USPC ..... D26/1, 225, 94, 51, 68, 93, 60, 37, 113,  
D26/26

CPC .... F21S 6/00; F21S 6/002; F21S 6/004; F21S  
4/00; F21S 4/15; F21S 2/00; F21S 8/033;  
F21S 8/036; F21S 8/085; F21S 8/081;  
F21S 8/083; F21S 8/088; F21L 2003/00;  
F21L 4/00; F21L 4/005; F21L 4/02; F21L  
4/025; F21V 21/08; F21V 33/00; F21V  
14/02; F21V 14/025

See application file for complete search history.

(56) **References Cited**

**U.S. PATENT DOCUMENTS**

5,211,470 A \* 5/1993 Frost ..... F21S 9/037  
362/183  
D785,224 S \* 4/2017 Tsai ..... D26/68

D810,342 S \* 2/2018 Chen ..... D26/68  
D839,472 S \* 1/2019 Hu ..... D26/118  
D851,799 S \* 6/2019 Liu ..... D26/63  
D867,644 S \* 11/2019 Luo ..... D26/68  
D875,289 S \* 2/2020 Hu ..... D26/63  
D890,401 S 7/2020 Zeng et al.  
D898,972 S 10/2020 Pei  
D925,100 S \* 7/2021 Hui ..... D26/113  
D930,225 S \* 9/2021 Jiang ..... D26/113  
D930,889 S \* 9/2021 Liu ..... D26/113

\* cited by examiner

*Primary Examiner* — Mark A Goodwin

*Assistant Examiner* — Benjamin M Weeks

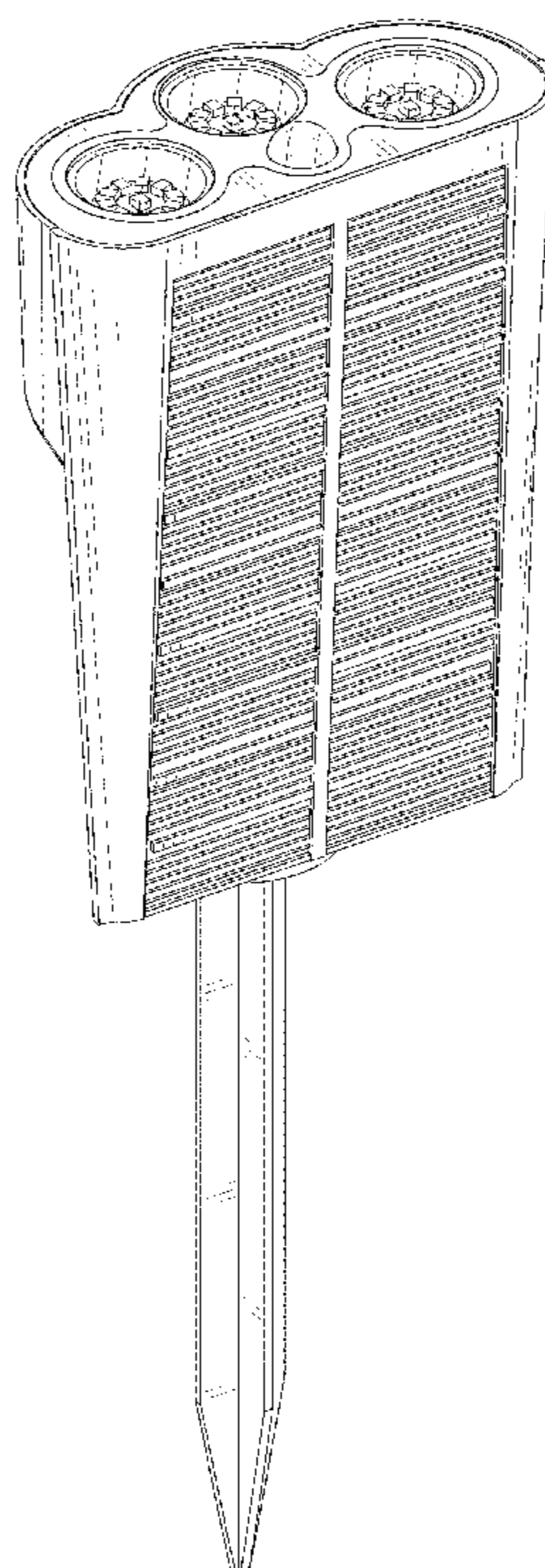
(57) **CLAIM**

The ornamental design for a solar lamp, as shown and described.

**DESCRIPTION**

FIG. 1 is a perspective view of a solar lamp showing my new design;  
FIG. 2 is another perspective view thereof;  
FIG. 3 is a front elevational view thereof;  
FIG. 4 is a rear elevational view thereof;  
FIG. 5 is a left side elevational view thereof;  
FIG. 6 is a right side elevational view thereof;  
FIG. 7 is a top plan view thereof;  
FIG. 8 is a bottom plan view thereof; and,  
FIG. 9 is an enlarged view of portion 9 shown in FIG. 8.  
The broken lines in the drawings depict portions of the solar lamp that form no part of the claimed design.

**1 Claim, 9 Drawing Sheets**



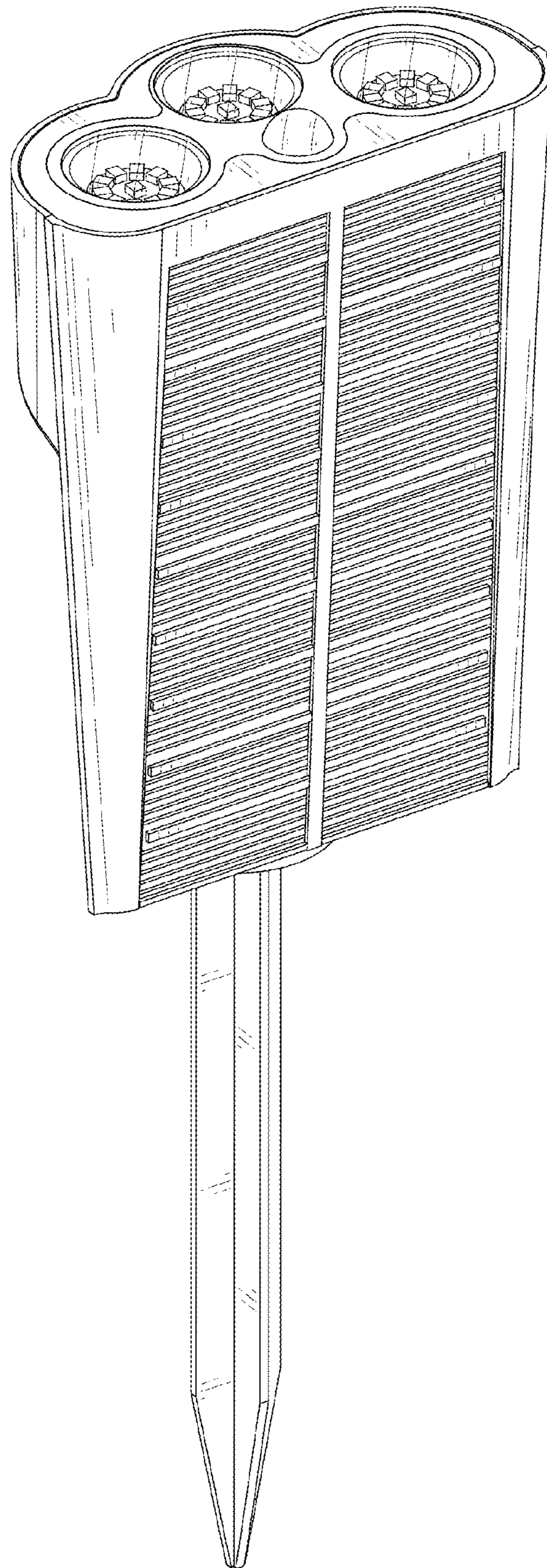


FIG. 1

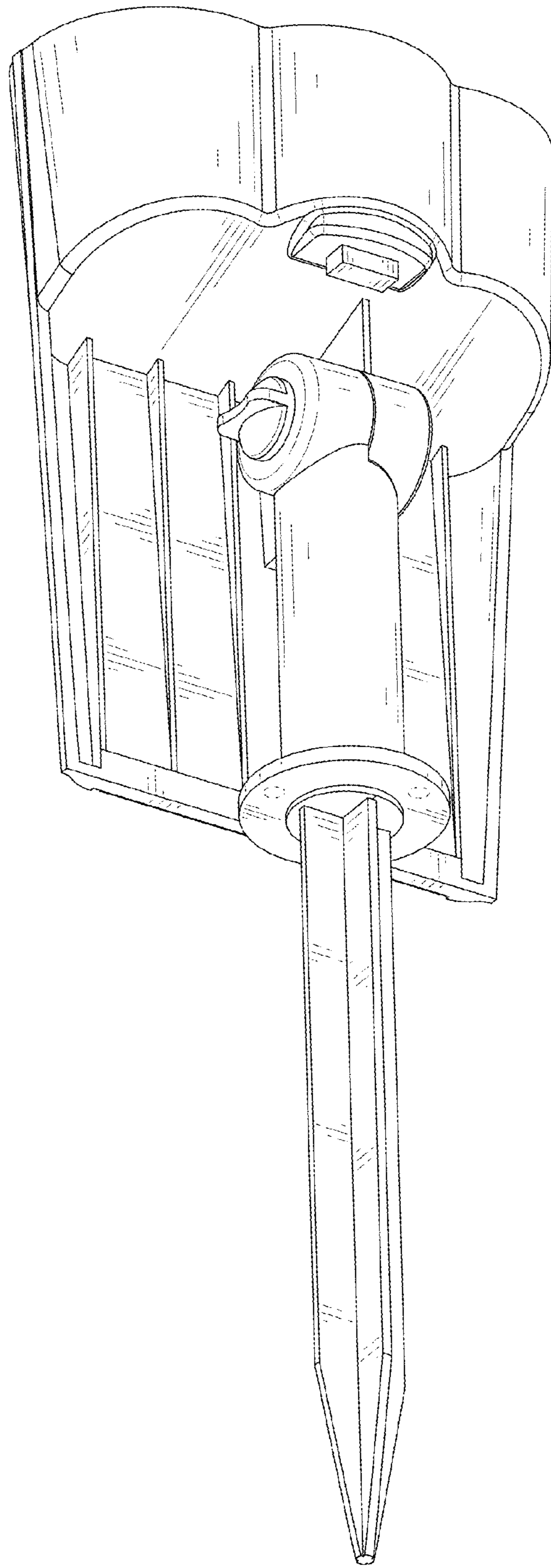


FIG. 2



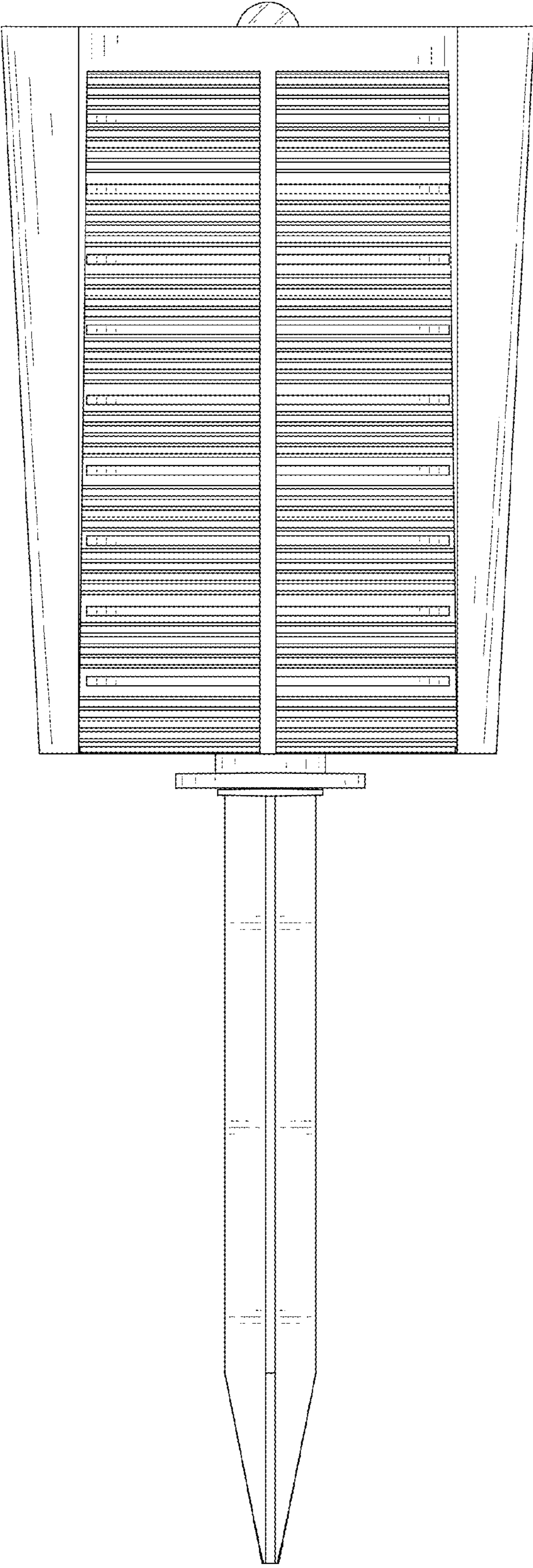


FIG. 3

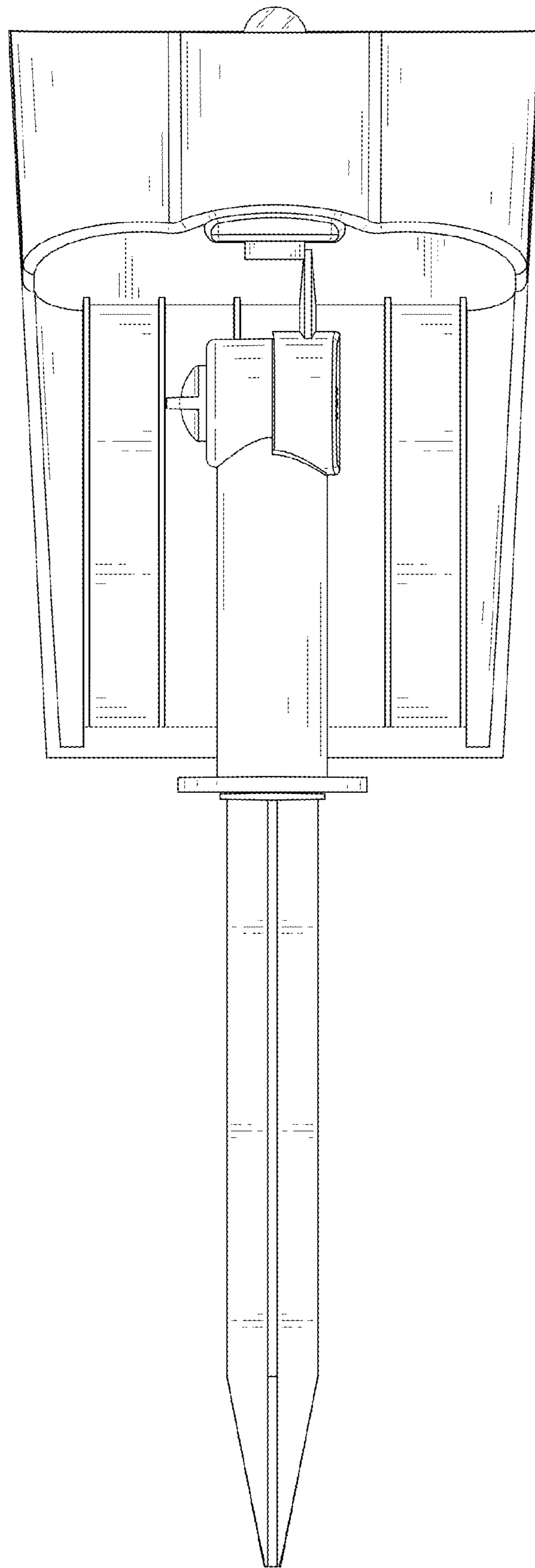


FIG. 4

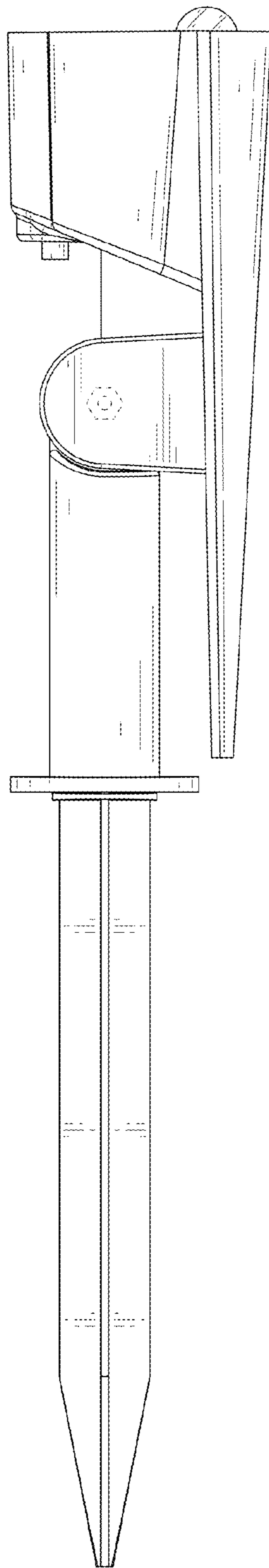


FIG. 5

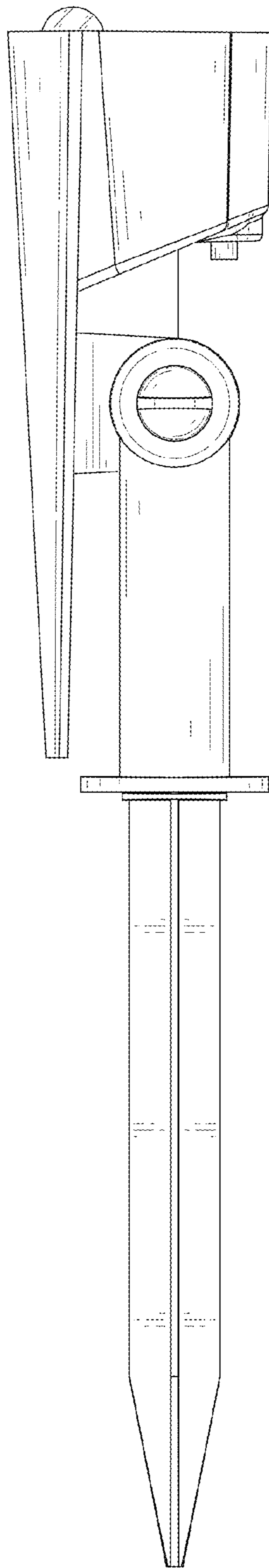


FIG. 6

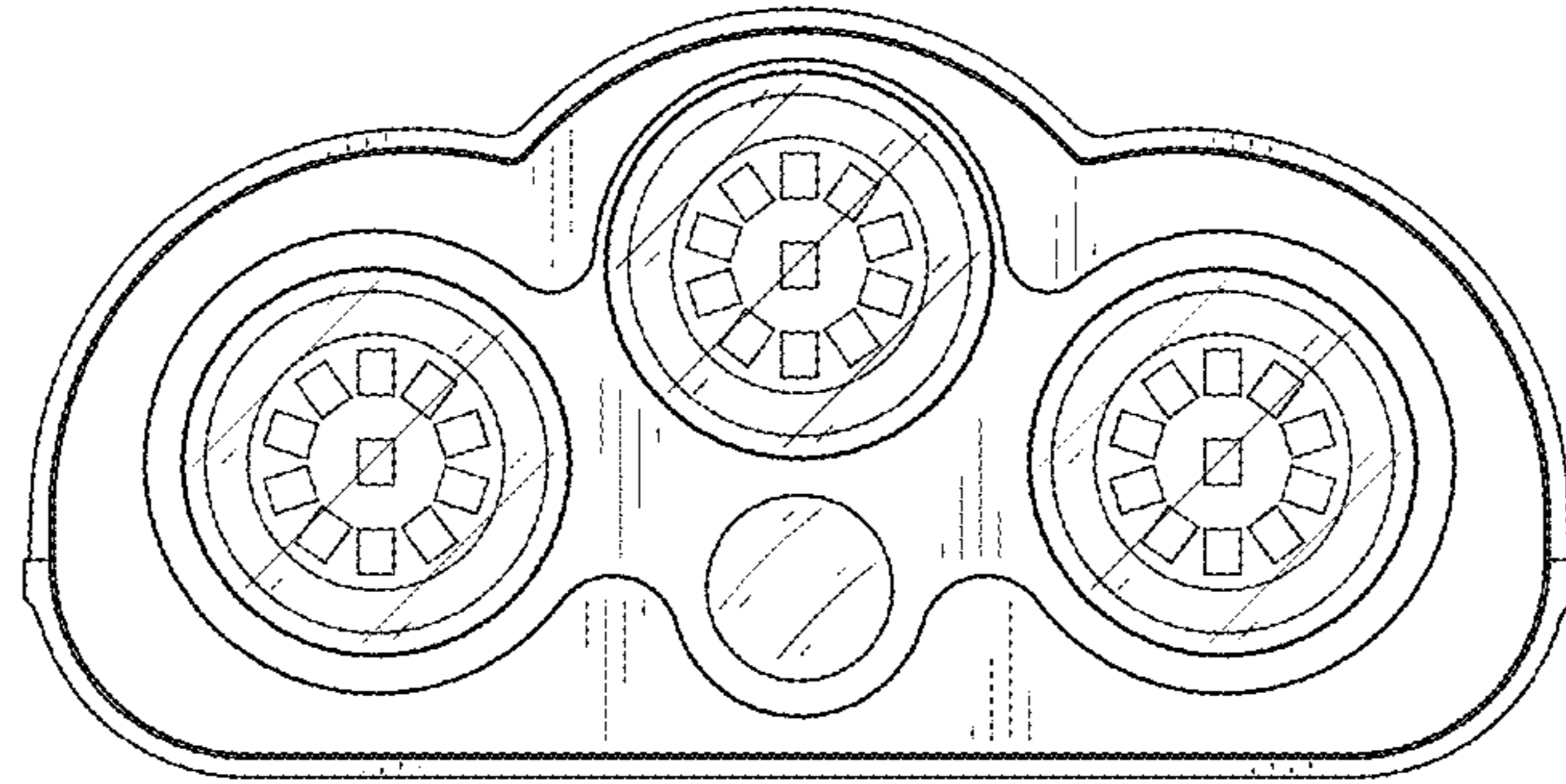


FIG. 7



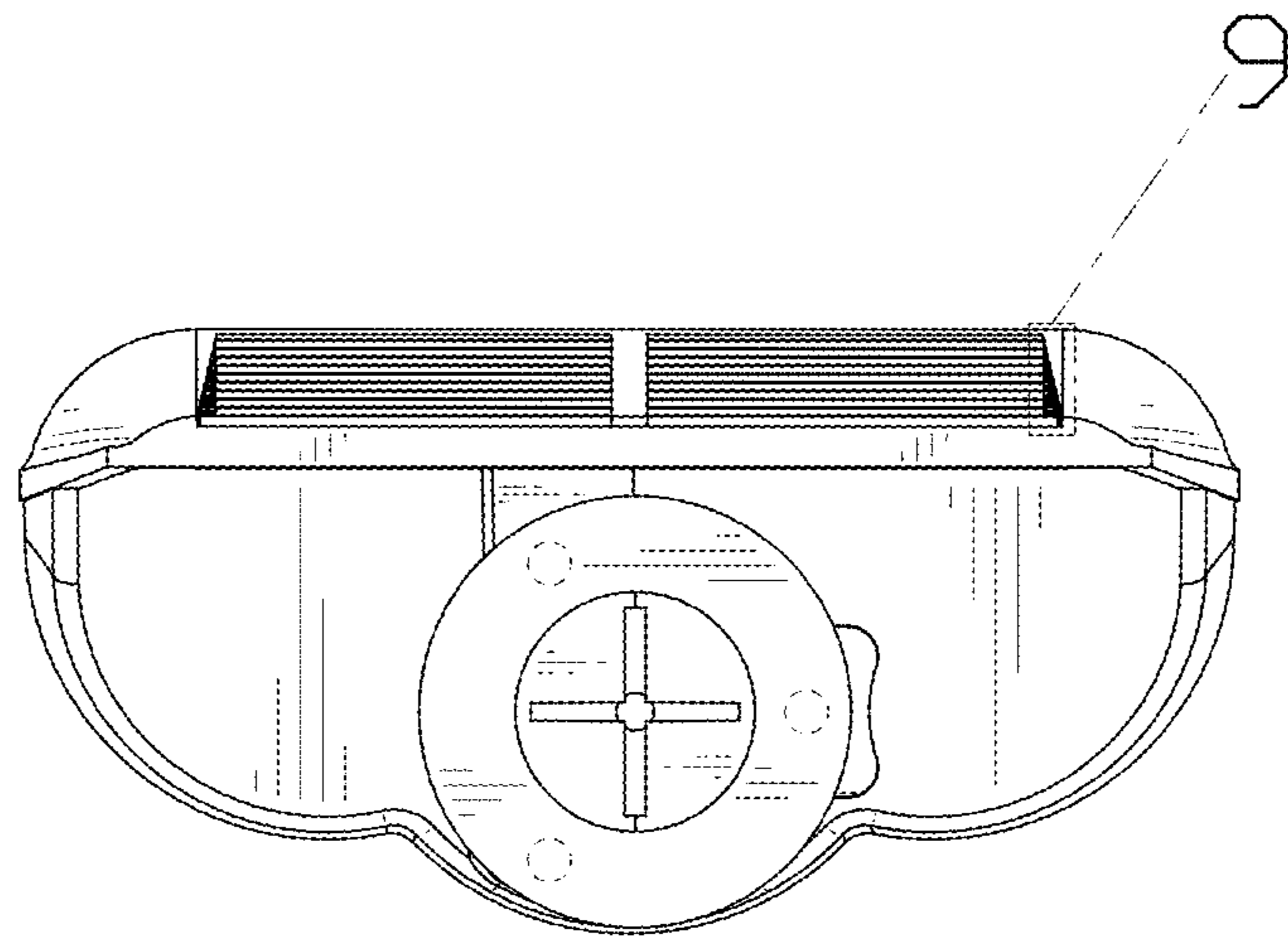


FIG. 8

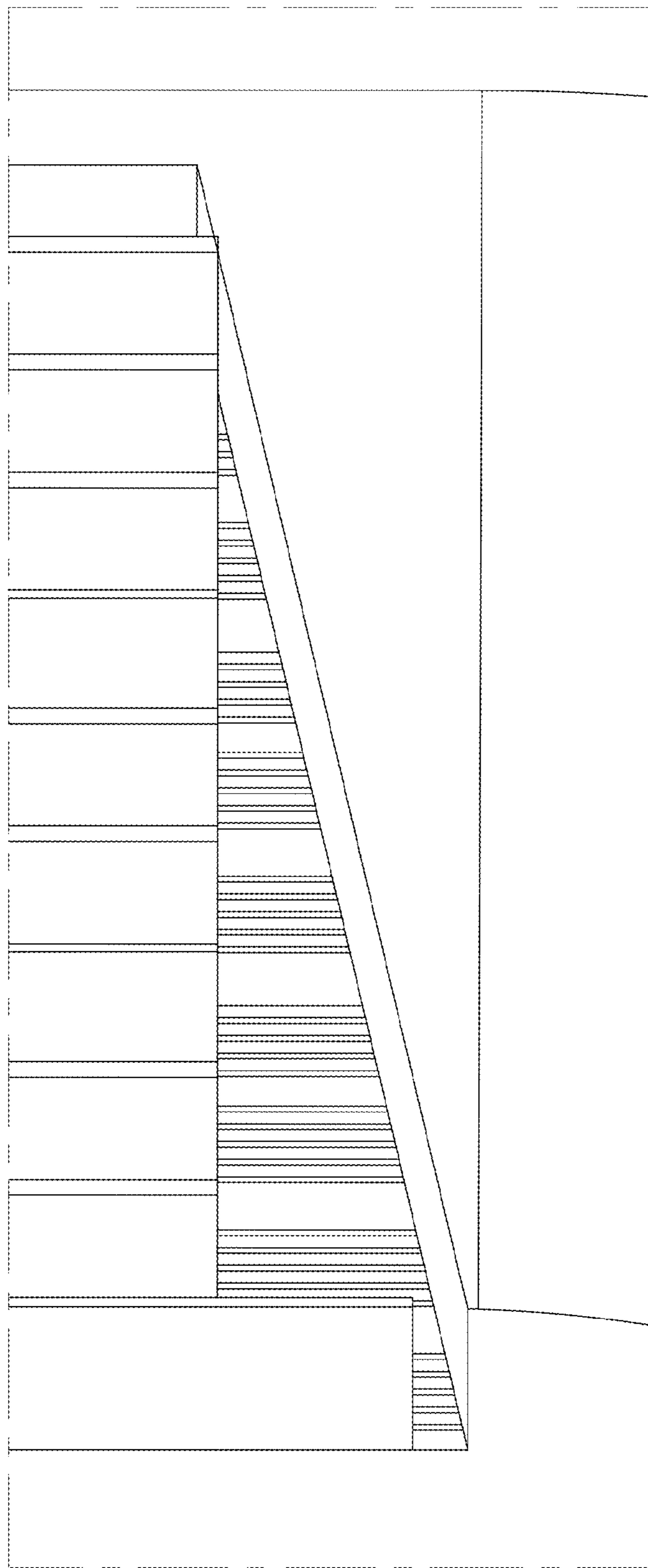


FIG. 9