



US00D936886S

(12) **United States Design Patent** (10) **Patent No.:** **US D936,886 S**
Chen (45) **Date of Patent:** **** Nov. 23, 2021**

(54) **FOLDING LAMP**

(71) Applicant: **SHENZHEN ADYSS TECHNOLOGY CO., LTD.,**
Guangdong (CN)

(72) Inventor: **Weihao Chen,** Guangdong (CN)

(73) Assignee: **SHENZHEN ADYSS TECHNOLOGY CO., LTD.,**
Guangdong (CN)

(**) Term: **15 Years**

(21) Appl. No.: **29/721,101**

(22) Filed: **Jan. 17, 2020**

(30) **Foreign Application Priority Data**

Oct. 15, 2019 (CN) 201930561786.8

(51) **LOC (13) Cl.** **26-05**

(52) **U.S. Cl.**
USPC **D26/65**

(58) **Field of Classification Search**
USPC D26/61, 63, 64, 65
CPC F21V 17/02; F21V 21/26; F21V 21/06;
F21V 21/00; F21V 17/18; F21V 21/14;
F21W 2131/30; F21W 2131/10; F21S
8/024; F21S 6/003; F21S 8/003; F21S
6/00; F21F 6/00; F21F 8/00
See application file for complete search history.

(56) **References Cited**

U.S. PATENT DOCUMENTS

- D245,874 S * 9/1977 Lap D26/54
- D509,618 S * 9/2005 Baarman D26/106
- D513,088 S * 12/2005 Baarman D26/106
- D598,595 S * 8/2009 Levine D26/63
- D623,789 S * 9/2010 Chiu D26/65
- D644,367 S * 8/2011 Fu D26/65
- D655,433 S * 3/2012 Levine D26/65

- D662,641 S * 6/2012 Levine D26/65
- D855,871 S * 8/2019 Ma D26/107
- D871,648 S * 12/2019 Tong D26/107
- D881,371 S * 4/2020 Hollinger D23/382
- D905,843 S * 12/2020 Chen D23/382
- D914,955 S * 3/2021 Deng D26/107
- D925,087 S * 7/2021 Chen D26/65

(Continued)

FOREIGN PATENT DOCUMENTS

EM 007464441-0001 * 3/2020

OTHER PUBLICATIONS

ADYSS 2020 Shenzhen Gift Exhibition <http://www.adyss.en/en/news/info/id/8.html> Jul. 1, 2020 (Year: 2020).*

Primary Examiner — Leanne Was-Englehart

(74) *Attorney, Agent, or Firm* — Li & Cai Intellectual Property (USA) Office

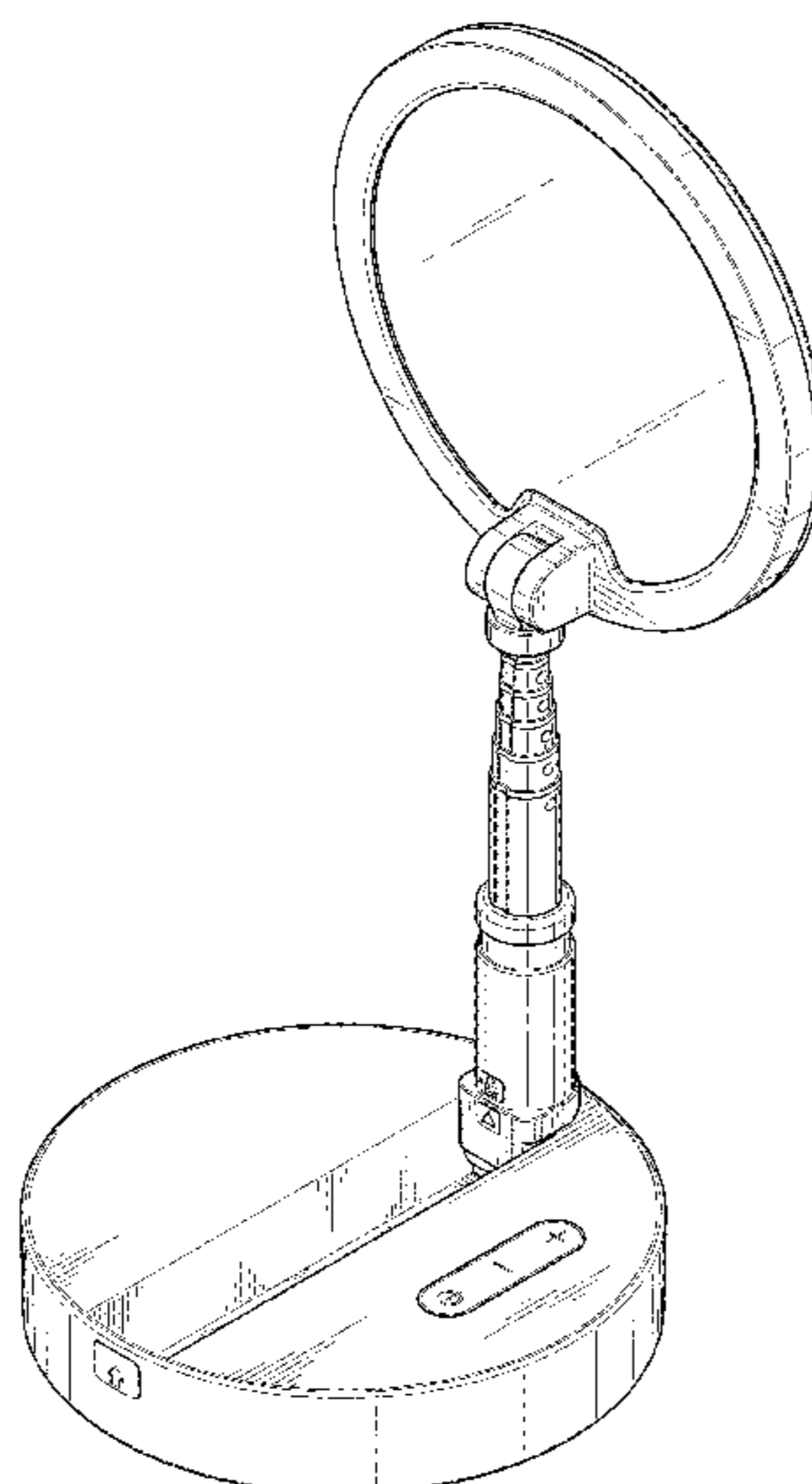
(57) **CLAIM**

The ornamental design for a folding lamp, as shown and described.

DESCRIPTION

FIG. 1 is a front, right and top perspective view of a folding lamp in an open condition showing my new design; FIG. 2 is a front elevational view thereof; FIG. 3 is a rear elevational view thereof; FIG. 4 is a left side elevational view thereof; FIG. 5 is a right side elevational view thereof; FIG. 6 is a top plan view thereof; FIG. 7 is a bottom plan view thereof; and, FIG. 8 is a front, right and top perspective view of the folding lamp showing in a folded condition. The broken lines depict portions of the folding lamp in which the design is embodied that forms no part of the claimed design.

1 Claim, 8 Drawing Sheets



(56)

References Cited

U.S. PATENT DOCUMENTS

2020/0240578 A1* 7/2020 Chen F16M 11/2014
2020/0284417 A1* 9/2020 Luo F21V 23/02
2021/0080067 A1* 3/2021 Zou F21V 21/26

* cited by examiner

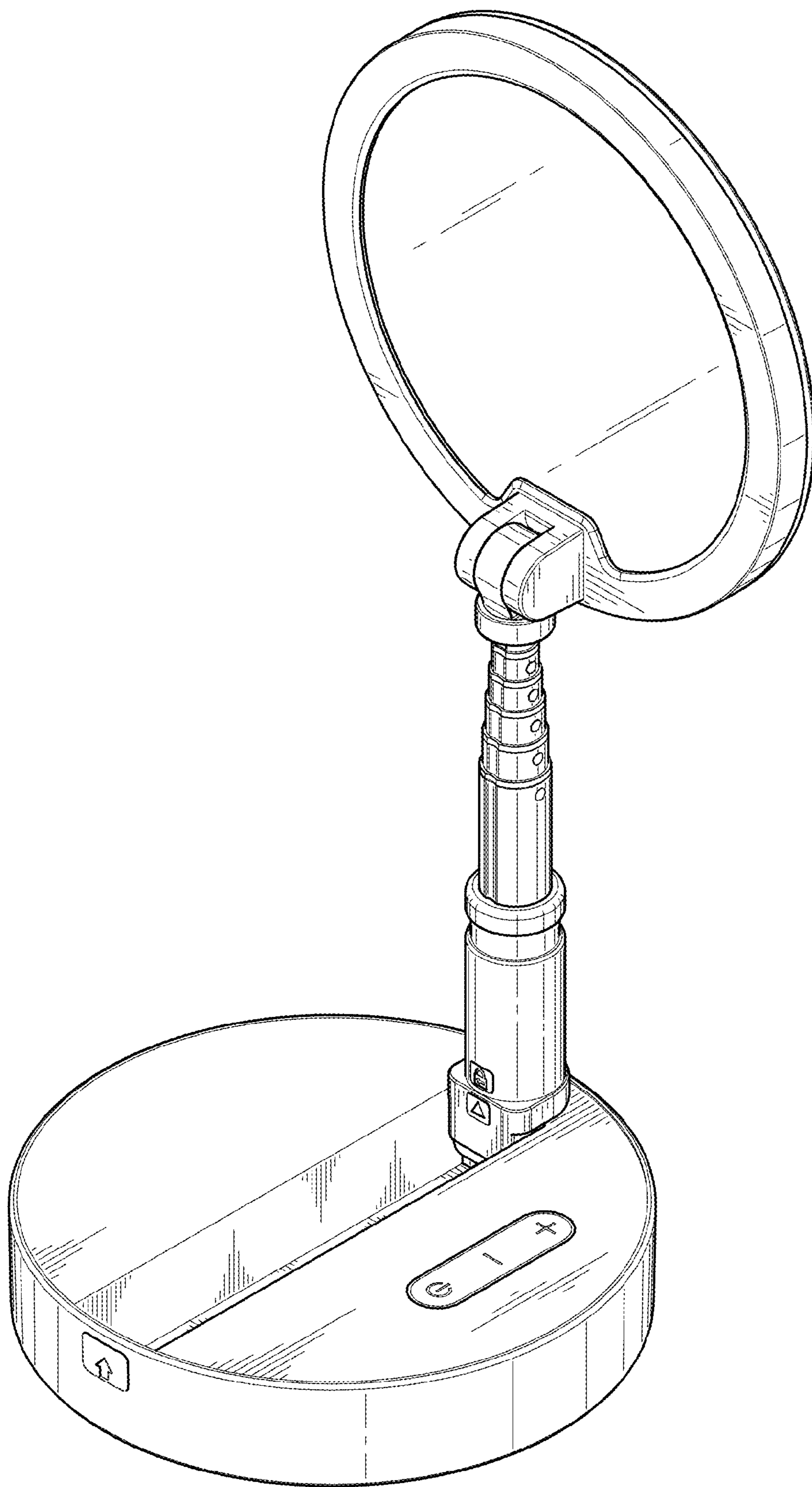


FIG. 1

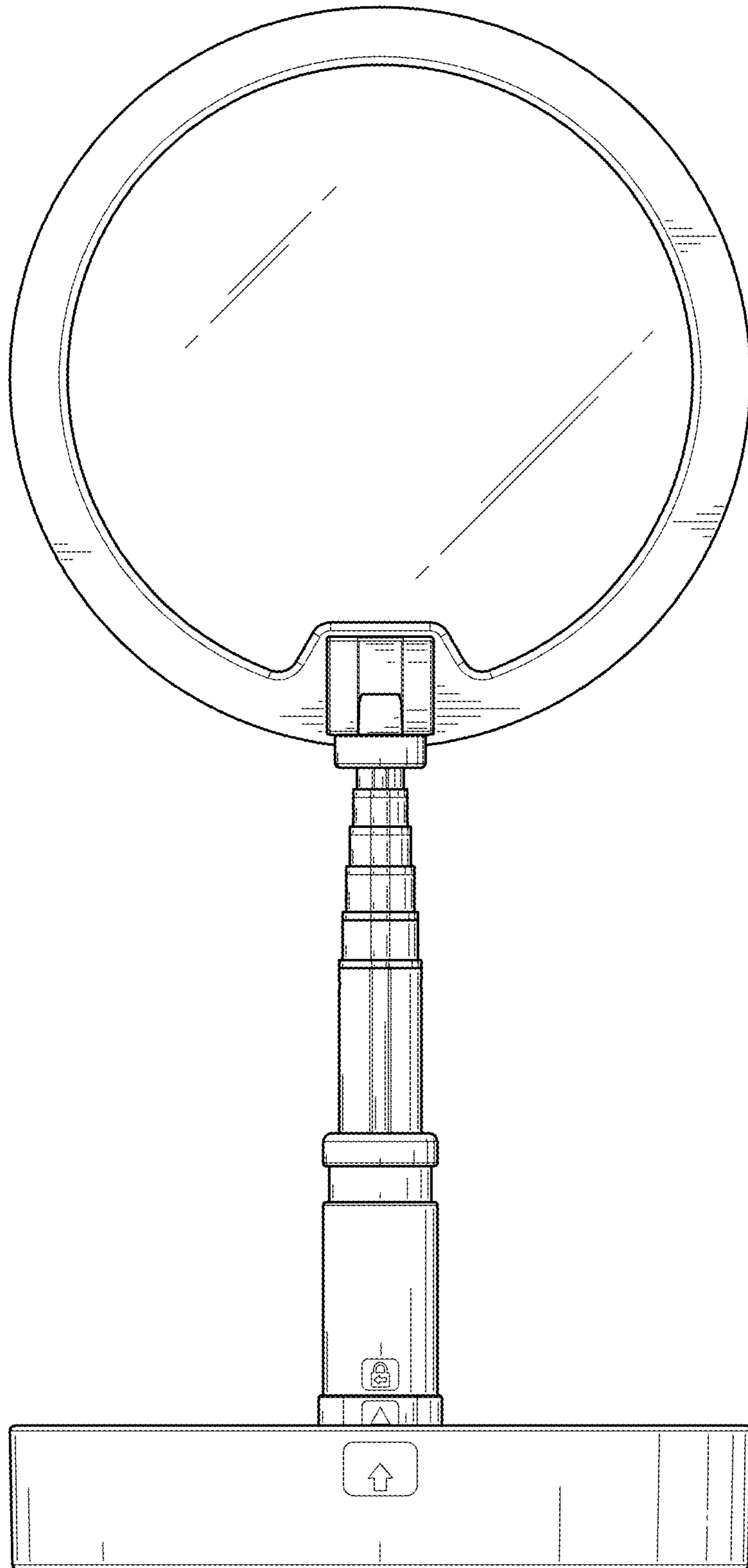


FIG. 2

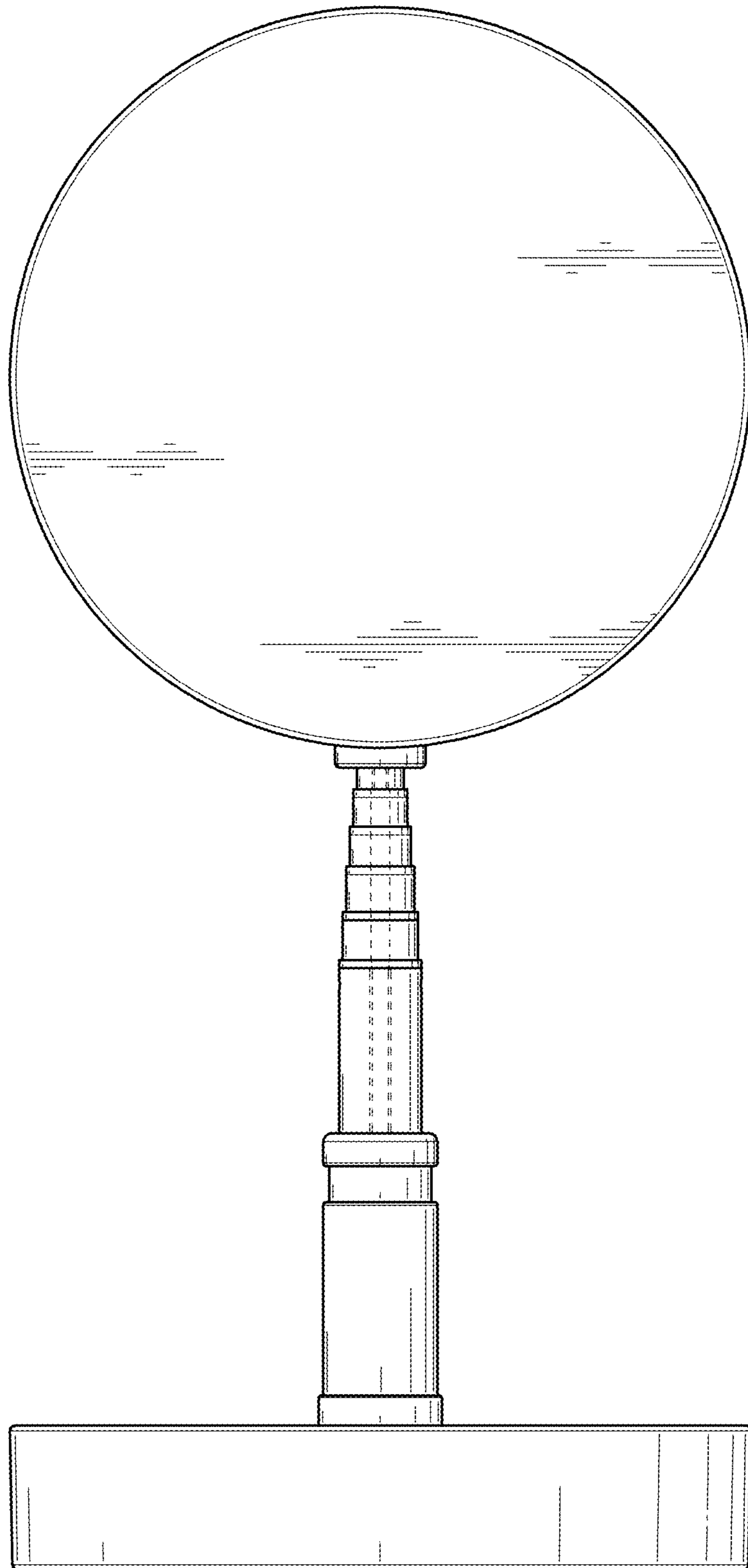


FIG. 3

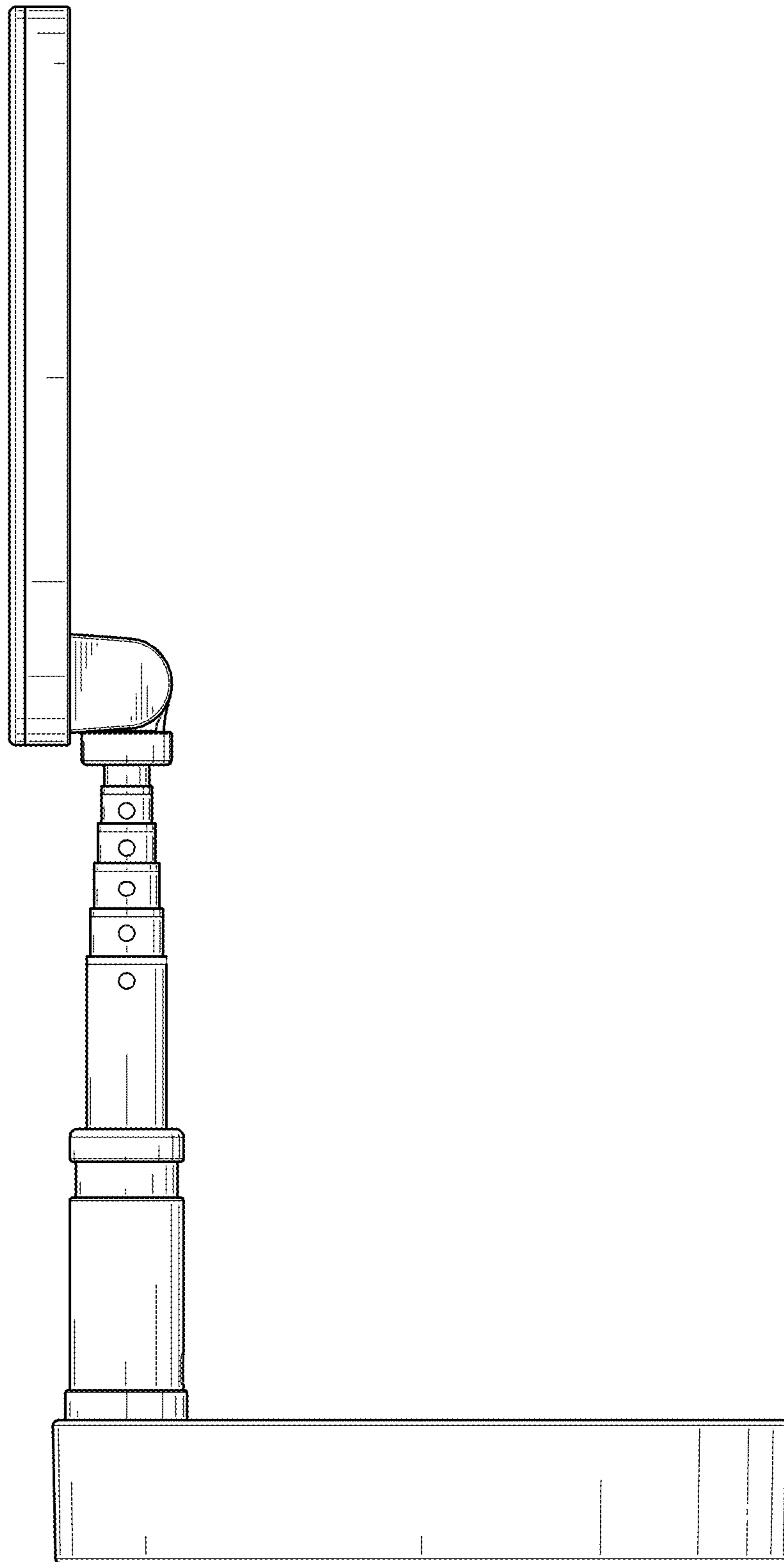


FIG. 4

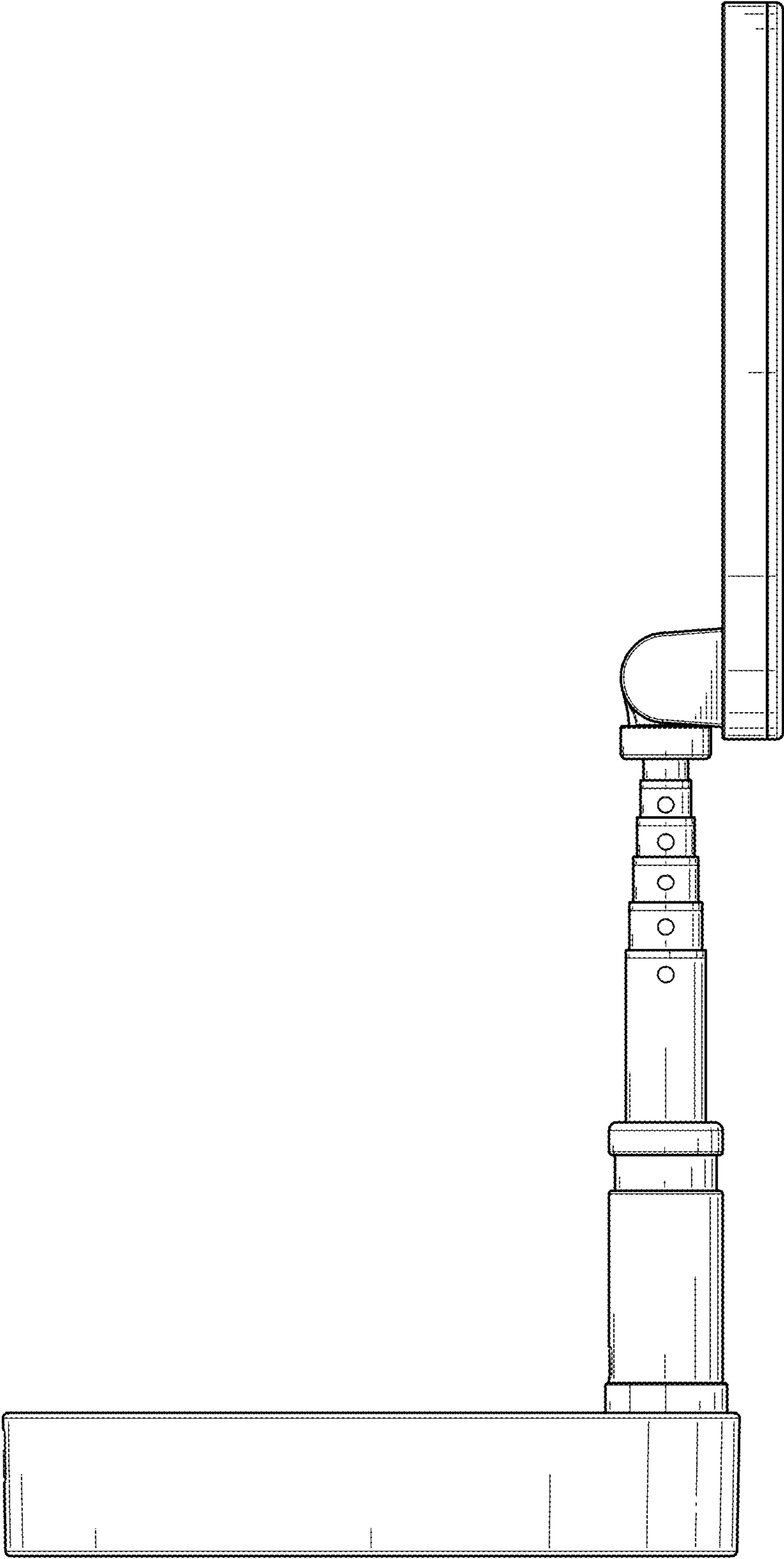


FIG. 5

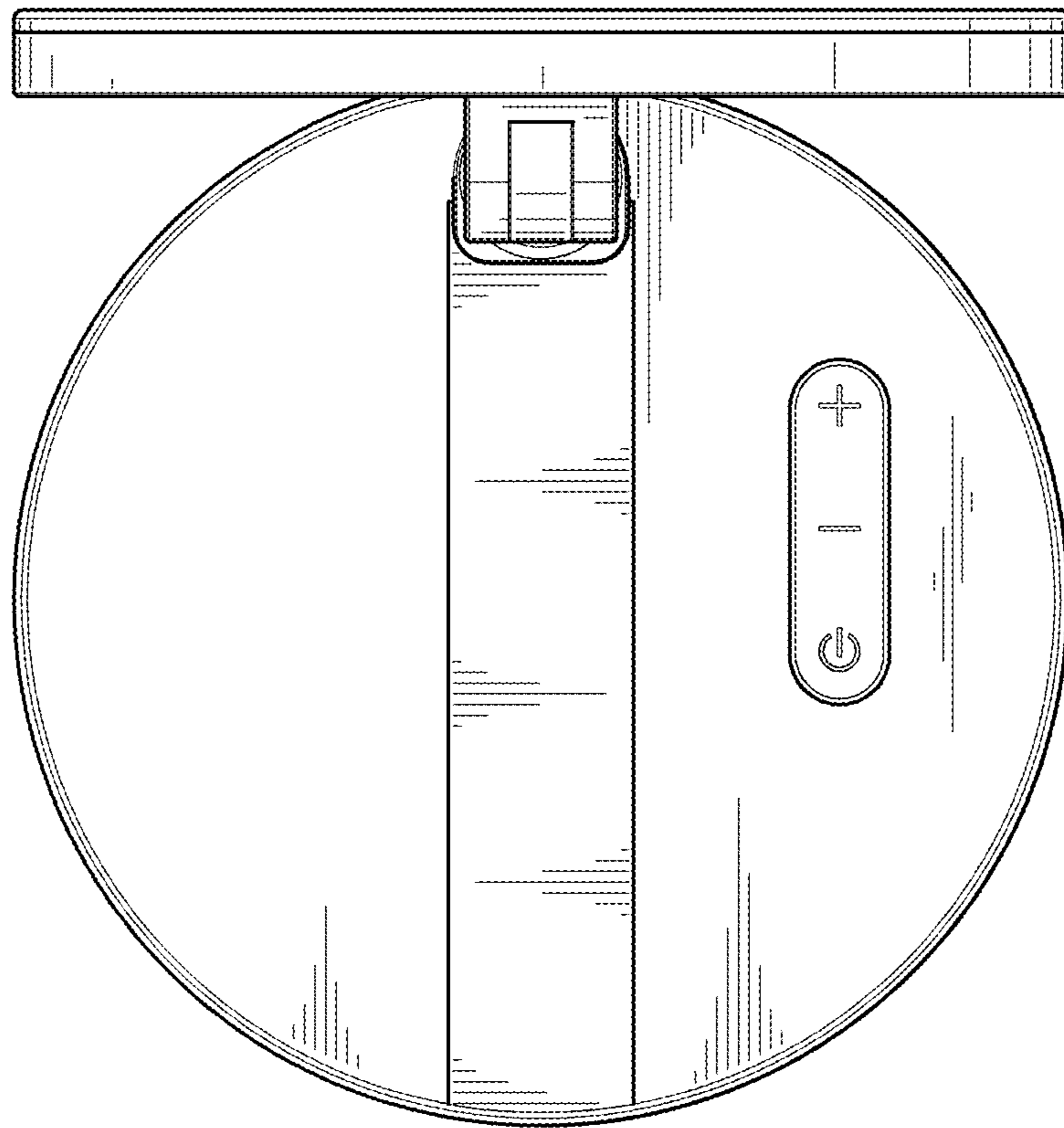


FIG. 6

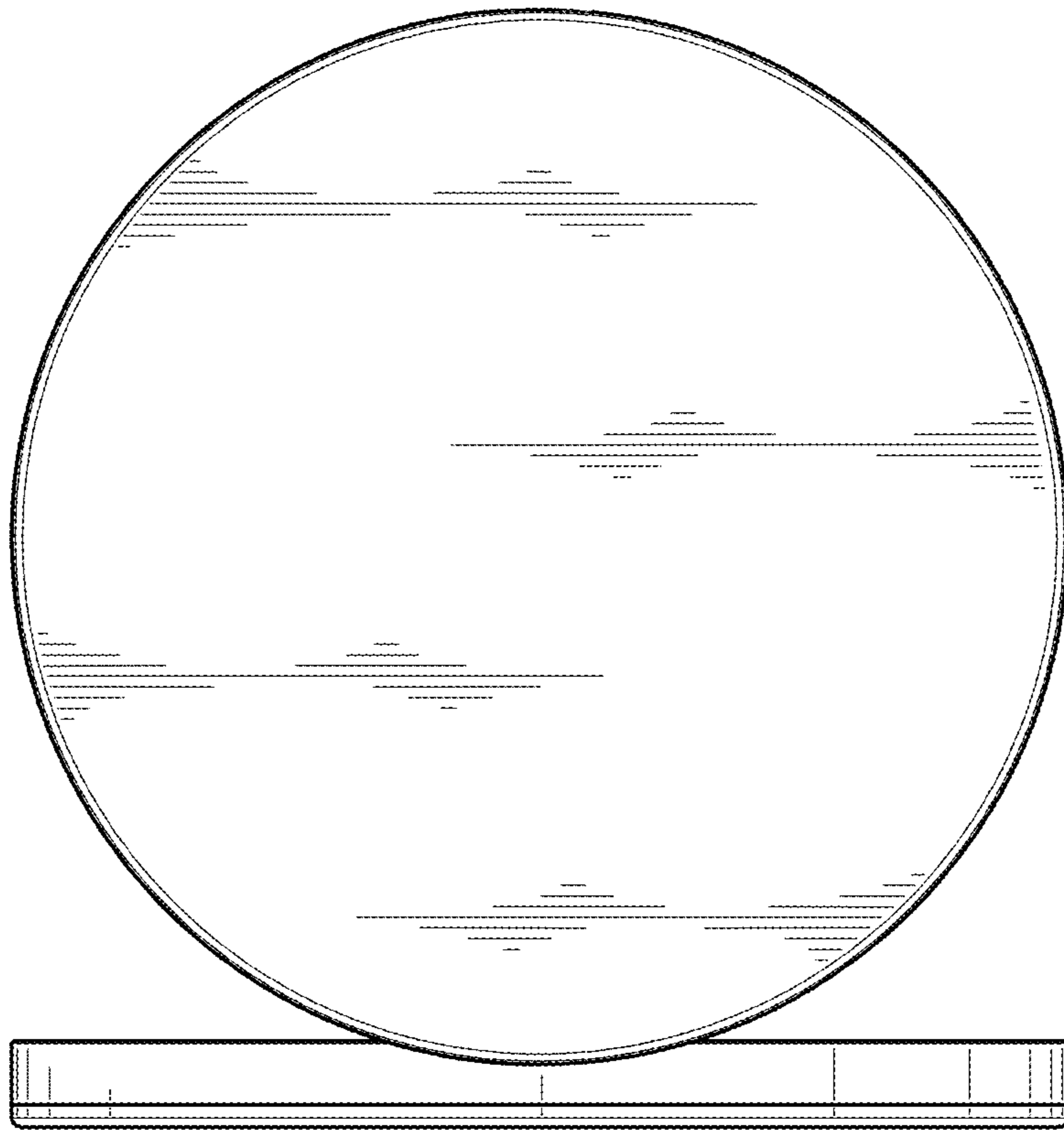


FIG. 7

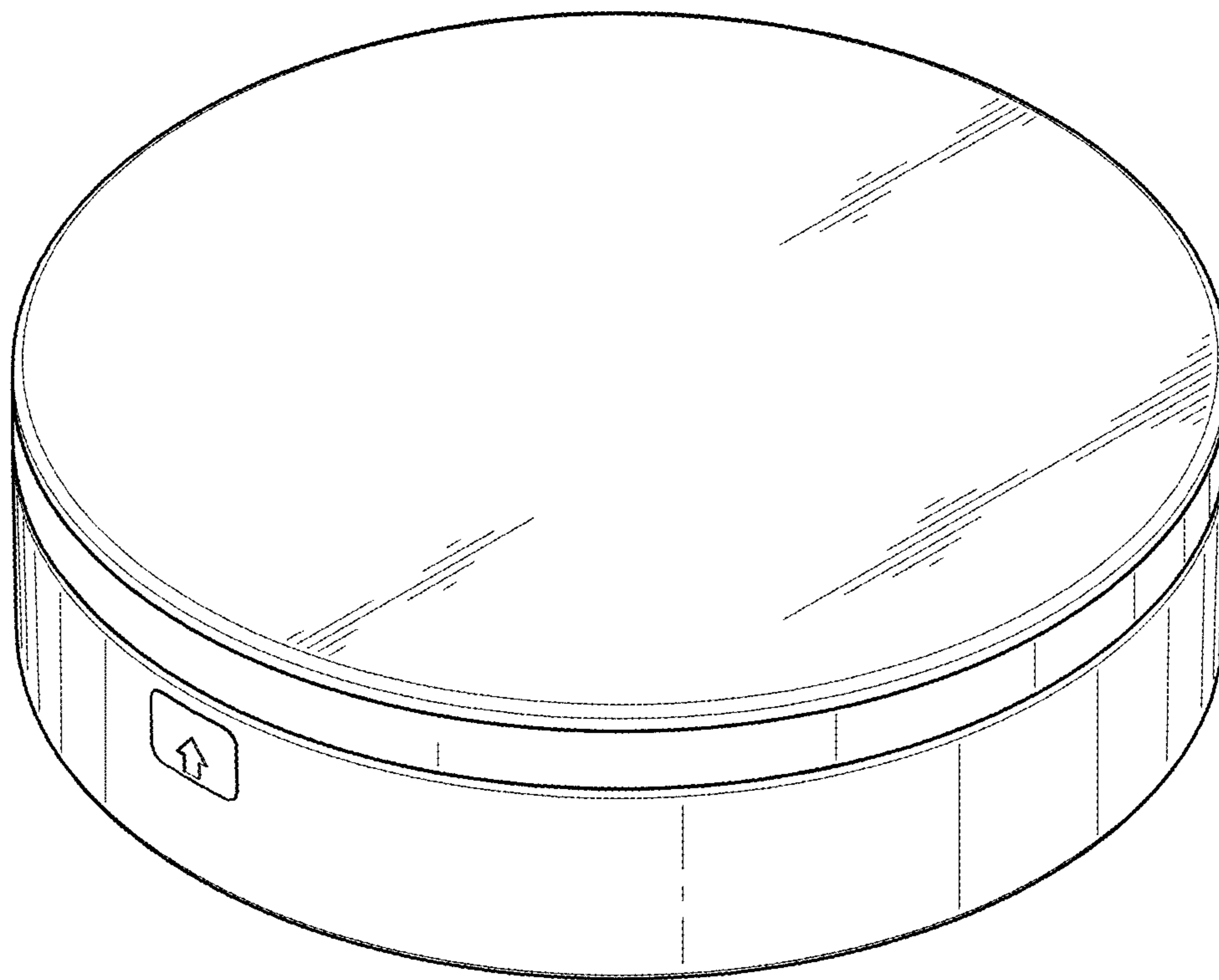


FIG. 8