



US00D936885S

(12) **United States Design Patent** (10) **Patent No.:** **US D936,885 S**
Yang et al. (45) **Date of Patent:** **** Nov. 23, 2021**

(54) **TABLE LAMP**
(71) Applicant: **BEIJING XIAOMI MOBILE SOFTWARE CO., LTD.**, Beijing (CN)
(72) Inventors: **Panpan Yang**, Beijing (CN); **Ningning Li**, Beijing (CN); **Lei Zhang**, Beijing (CN); **Zikai Zhong**, Beijing (CN); **Liang Bao**, Beijing (CN)
(73) Assignee: **BEIJING XIAOMI MOBILE SOFTWARE CO., LTD.**, Beijing (CN)

D511,395 S * 11/2005 August D26/106
D556,363 S * 11/2007 Komar D26/106
D574,530 S * 8/2008 Tragatschnig D26/61
D580,578 S * 11/2008 Chien D26/63
D599,929 S * 9/2009 Huang D26/63
D616,589 S * 5/2010 Su D26/63

(Continued)

OTHER PUBLICATIONS

Mijia Table Lamp Lite Intelligent Mi LED Desk Lamp Eye Protection 4000K 500 Lumens Dimming Table Light Night Lamp, amazon.com, <https://www.amazon.com/Mijia-Intelligent-Protection-Lumens-Dimming/dp/B08MW53Y5D> (Year: 2020).*

(Continued)

Primary Examiner — Steven J Czyz

(74) *Attorney, Agent, or Firm* — Syncoda LLC; Feng Ma

(**) Term: **15 Years**

(21) Appl. No.: **35/509,899**

(22) Filed: **Apr. 28, 2020**

(80) **Hague Agreement Data**

Int. Filing Date: **Apr. 28, 2020**
Int. Reg. No.: **DM/209181**
Int. Reg. Date: **Apr. 28, 2020**
Int. Reg. Pub. Date: **Jul. 24, 2020**

(57) **CLAIM**

The ornamental design for a table lamp, as shown and described.

DESCRIPTION

(30) **Foreign Application Priority Data**

Nov. 21, 2019 (CN) 201930643973.0

(51) **LOC (13) Cl.** **26-05**

(52) **U.S. Cl.**
USPC **D26/63**

(58) **Field of Classification Search**
USPC D26/24, 61, 62, 63, 64, 65, 66, 93
CPC F21V 15/01; F21V 21/14; F21V 14/02;
F21V 21/30; F21V 21/00; F21V 14/00;
F21S 8/00; F21S 8/003; F21S 8/043
See application file for complete search history.

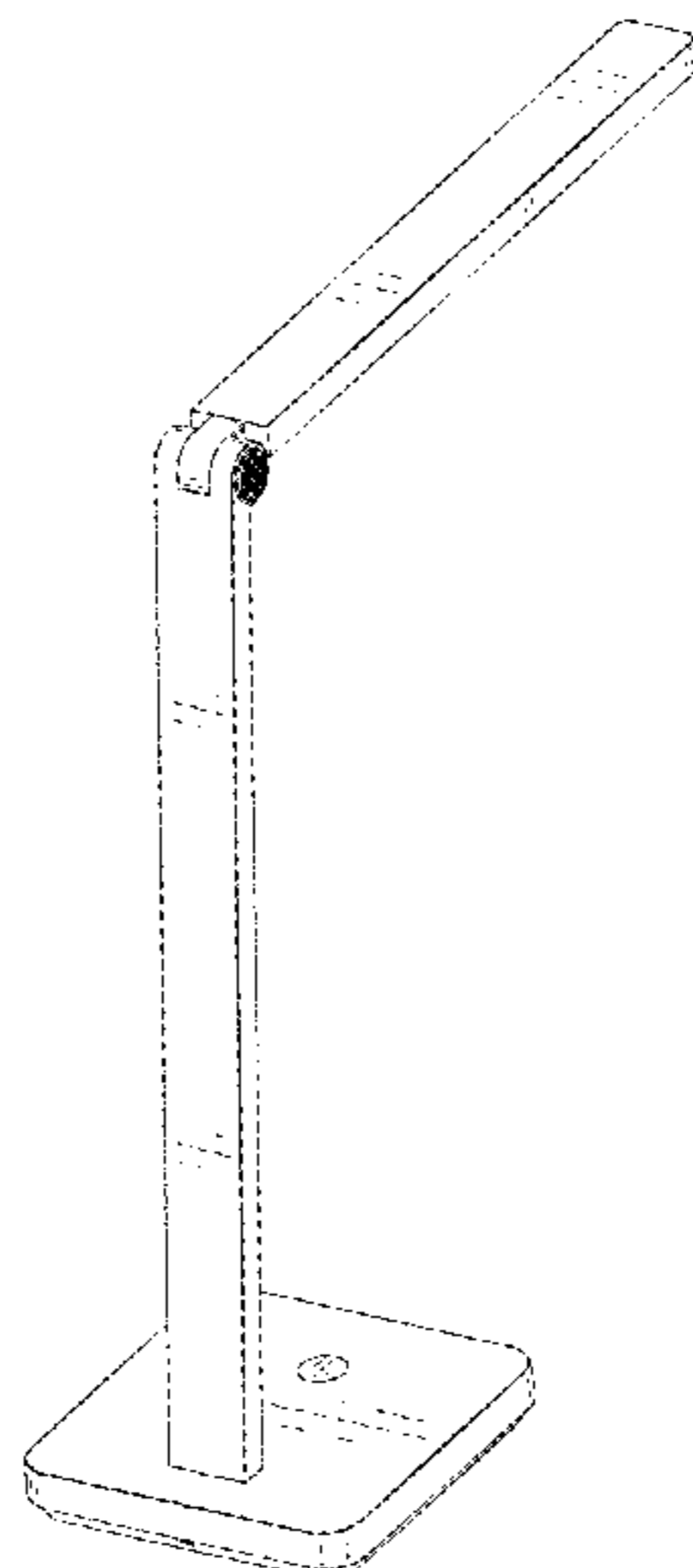
- 1. Table lamp
- 1.1 : Front
- 1.2 : Back
- 1.3 : Left
- 1.4 : Right
- 1.5 : Top
- 1.6 : Bottom
- 1.7 : Perspective
- 1.8 : Perspective
- 1.9 : Back view of state 1 of change
- 1.10 : Perspective view of state 1 of change
- 1.11 : Back view of state 2 of change
- 1.12 : Perspective view of state 2 of change
- 1.13 : Back view of state 3 of change
- 1.14 : Perspective view of state 3 of change
- 1.15 : Back view of state 4 of change
- 1.16 : Perspective view of state 4 of change

(56) **References Cited**

U.S. PATENT DOCUMENTS

D301,632 S * 6/1989 Lohrenz D26/61
D430,686 S * 9/2000 Gismondi D26/63

1 Claim, 16 Drawing Sheets



(56)

References Cited

U.S. PATENT DOCUMENTS

D617,932 S * 6/2010 Chan D26/63
 D622,882 S * 8/2010 Lee D26/63
 D623,334 S * 9/2010 Huang D26/65
 D623,788 S * 9/2010 Huang D26/65
 D624,689 S * 9/2010 Kao D26/102
 D627,501 S * 11/2010 Lin D26/65
 D628,331 S * 11/2010 Tang D26/63
 D637,331 S * 5/2011 Lee D26/63
 D637,332 S * 5/2011 Lee D26/63
 D641,907 S * 7/2011 Lee D26/65
 D641,916 S * 7/2011 Witsch D26/107
 D651,734 S * 1/2012 Li D26/63
 D654,199 S * 2/2012 Xie D26/63
 D665,938 S * 8/2012 Kim D26/63
 D667,154 S * 9/2012 Tang D26/65
 D667,978 S * 9/2012 Downer D26/61
 D673,715 S * 1/2013 Huang D26/93
 D673,716 S * 1/2013 Huang D26/93
 D689,642 S * 9/2013 Huang D26/63
 D689,643 S * 9/2013 Huang D26/63
 D690,858 S * 10/2013 Citterio D26/63
 D729,964 S * 5/2015 Huh D26/63
 D753,329 S * 4/2016 Lee D26/65
 D753,861 S * 4/2016 Yong Joon D26/63
 D754,901 S * 4/2016 Recor D26/63
 D758,631 S * 6/2016 Cai D26/63

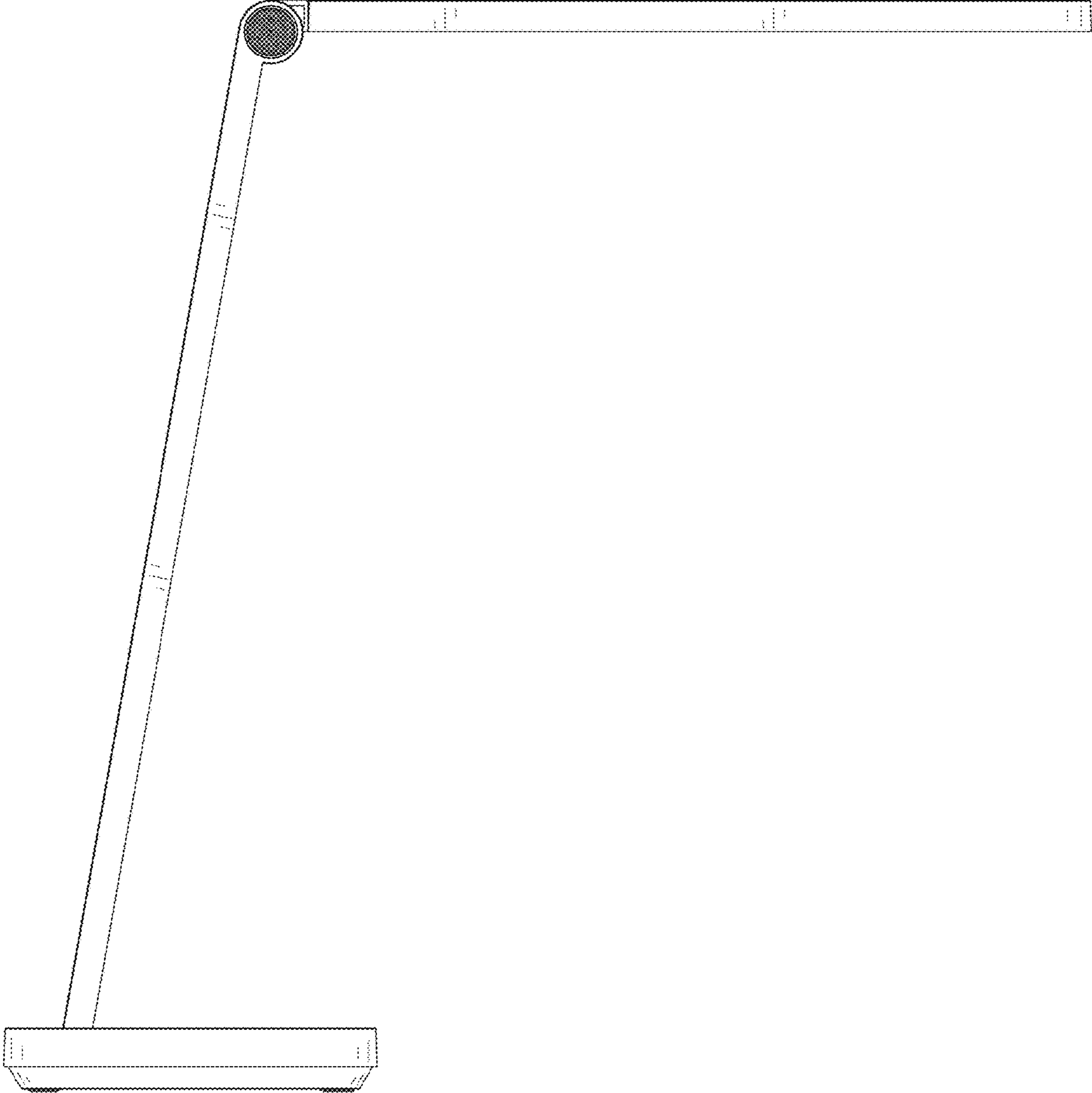
D759,282 S * 6/2016 Lee D26/65
 D762,900 S * 8/2016 Miller D26/62
 D773,724 S * 12/2016 Shiening Wang D26/106
 D800,937 S * 10/2017 Li D26/63
 D803,450 S * 11/2017 Xie D26/63
 D803,464 S * 11/2017 Stathis D26/104
 D804,071 S * 11/2017 Xu D26/63
 D804,072 S * 11/2017 Xu D26/63
 D804,697 S * 12/2017 Tang D26/63
 D827,179 S * 8/2018 Mou D26/72
 D858,835 S * 9/2019 Xiao D26/51
 D861,228 S * 9/2019 Grau D26/93
 D868,328 S * 11/2019 Chang D26/59
 D873,463 S * 1/2020 Wang D26/65
 D874,710 S * 2/2020 Tong D26/93
 D875,985 S * 2/2020 Yi D26/65
 D876,699 S * 2/2020 Tang D26/65
 D895,874 S * 9/2020 Tong D26/63
 D901,056 S * 11/2020 Chang D26/65

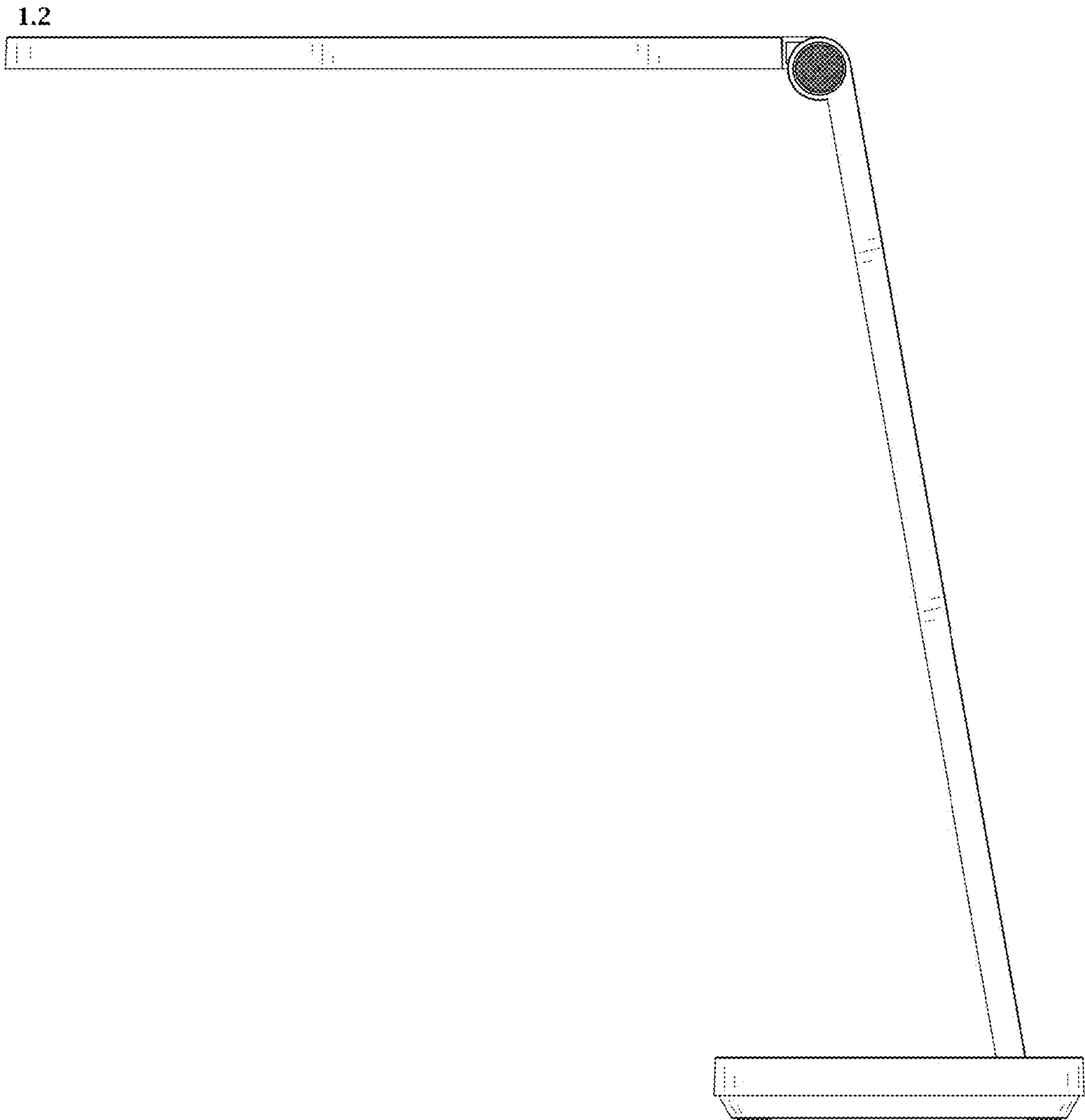
OTHER PUBLICATIONS

LUCIDE Vario LED Modern Metal Black Desk Lamp, ideas4lighting.com, <https://us.ideas4lighting.com/shop-by-type-c1/table-lamps-c17/desk-lamps-c65/vario-led-modern-metal-black-desk-lamp-p16615> (Year: 2021).*

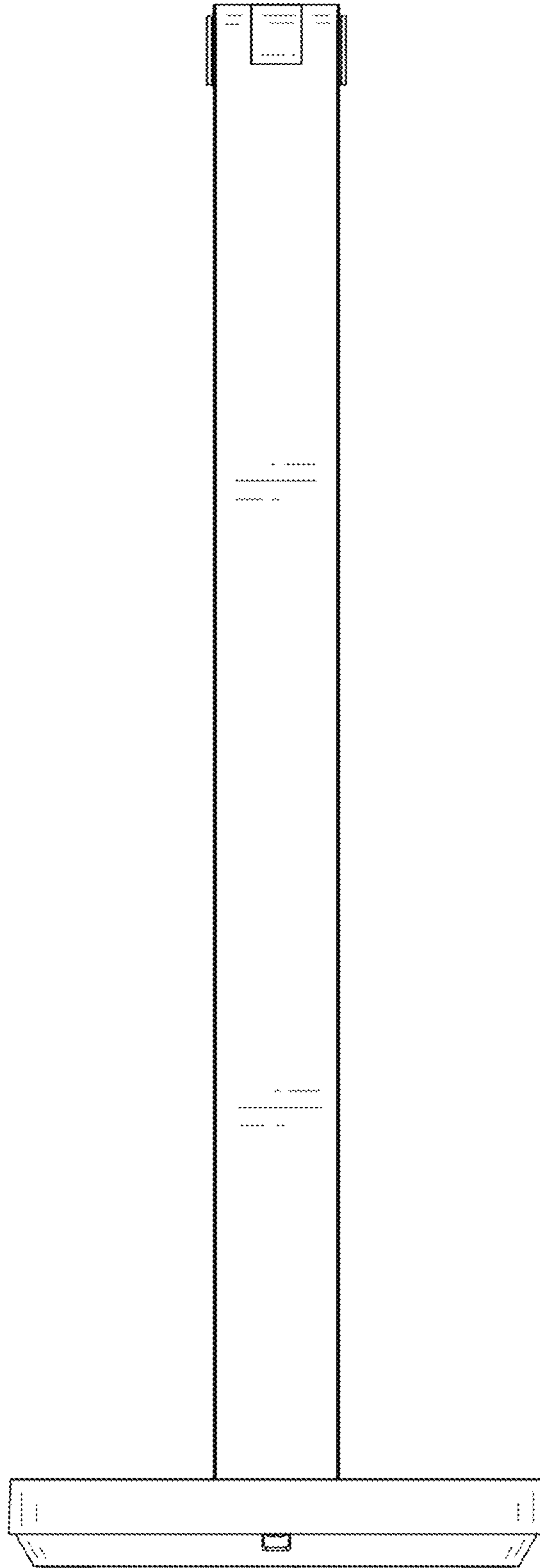
* cited by examiner

1.1

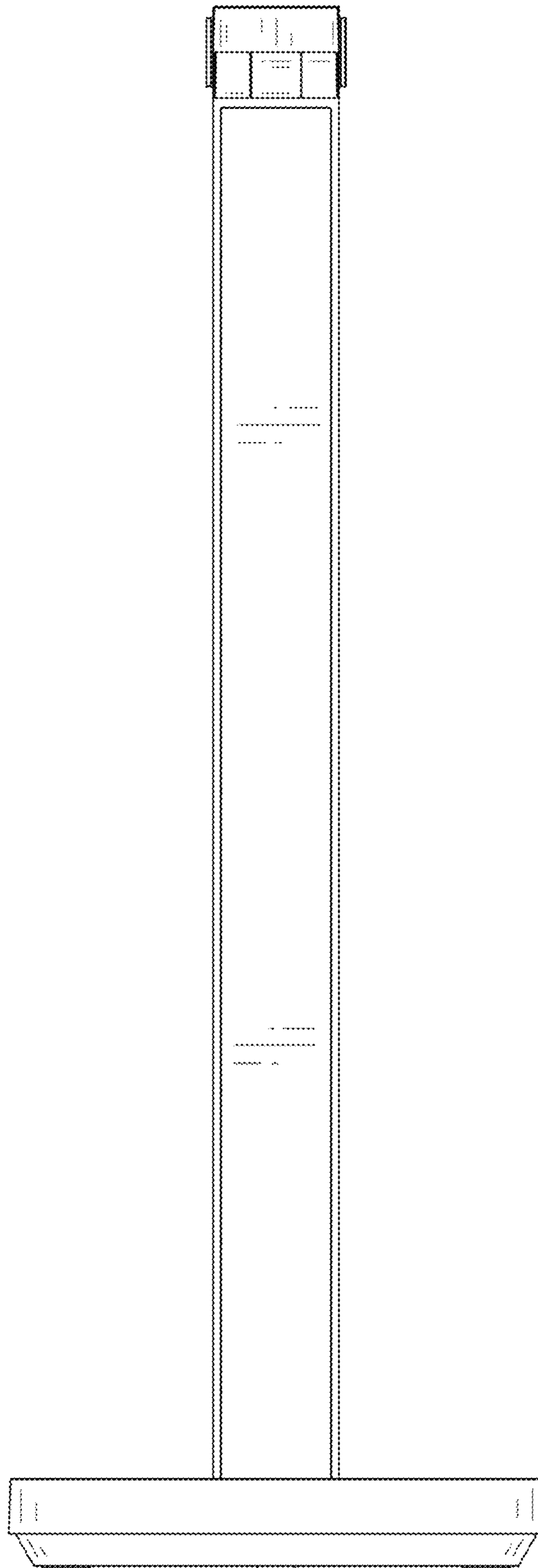




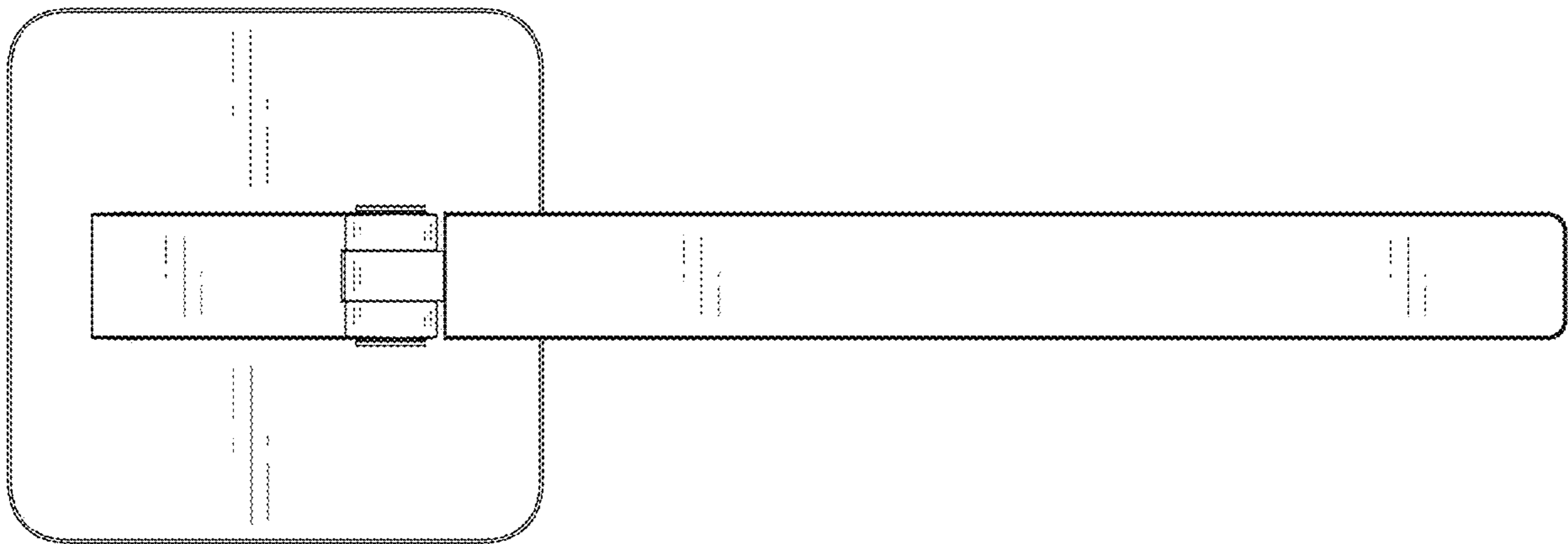
1.3



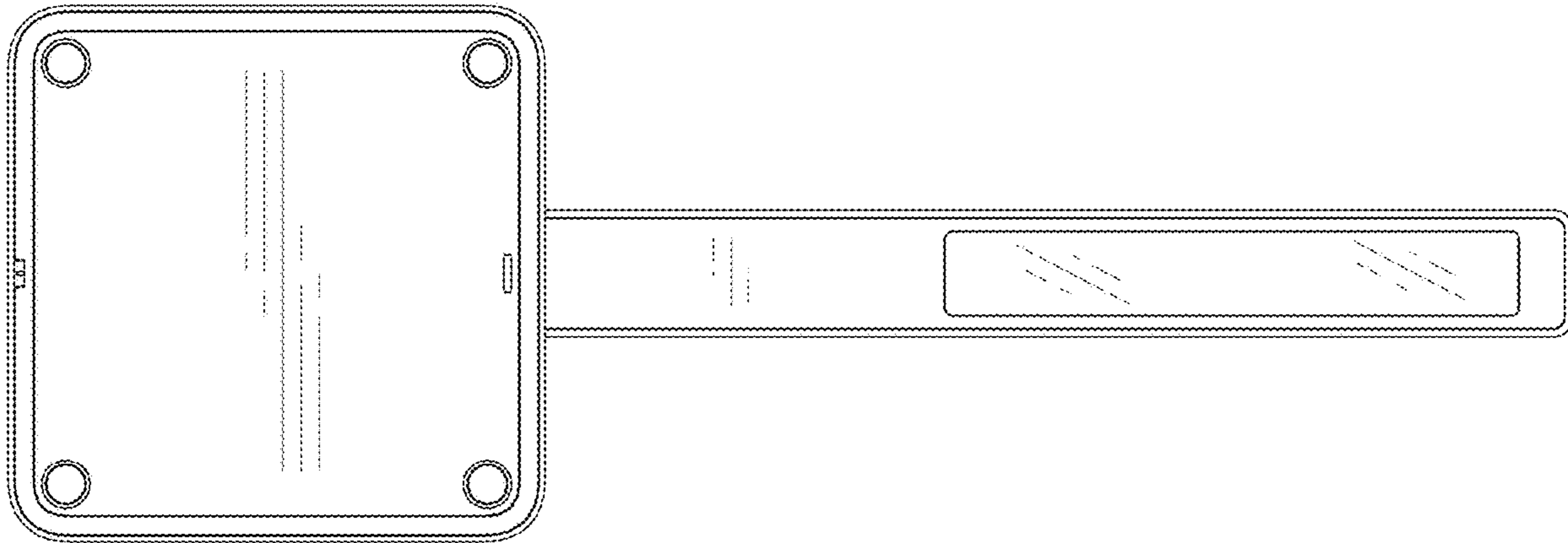
1.4



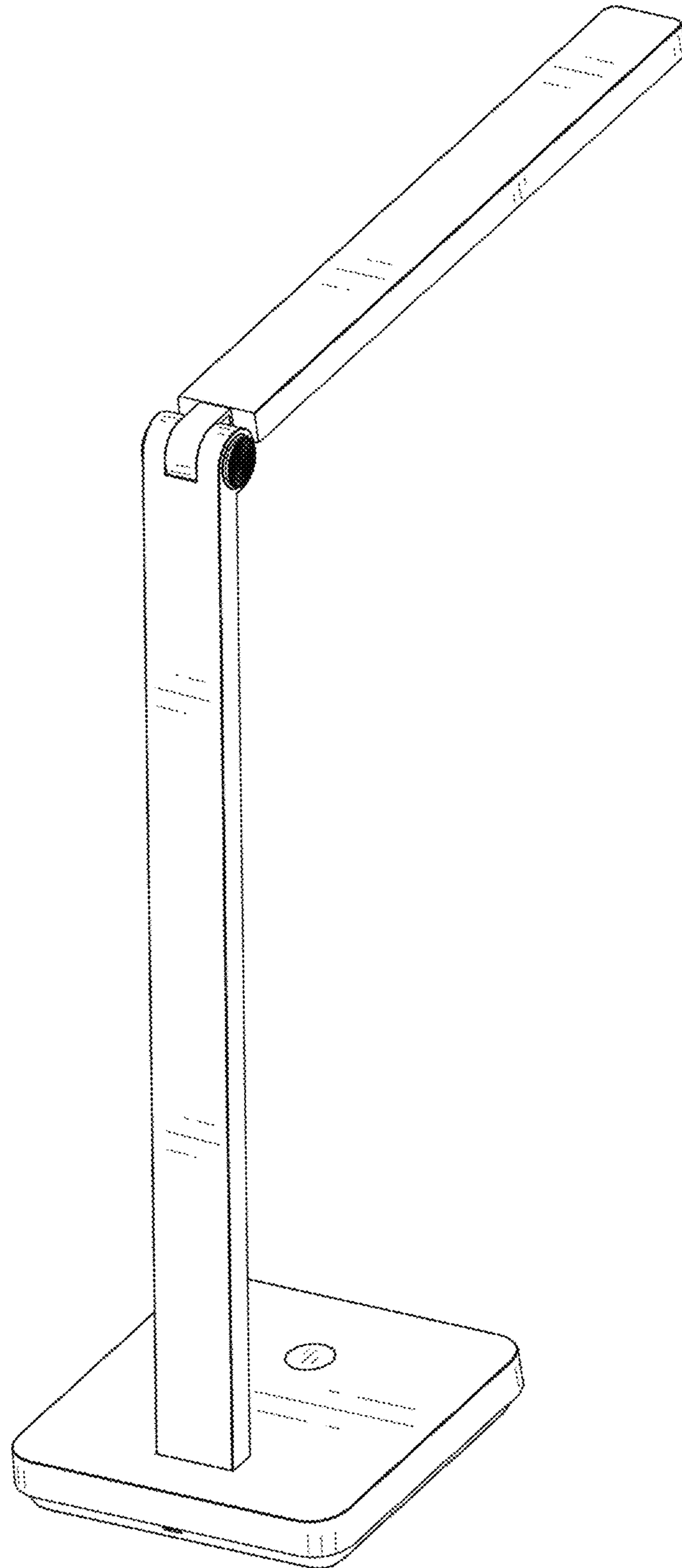
1.5

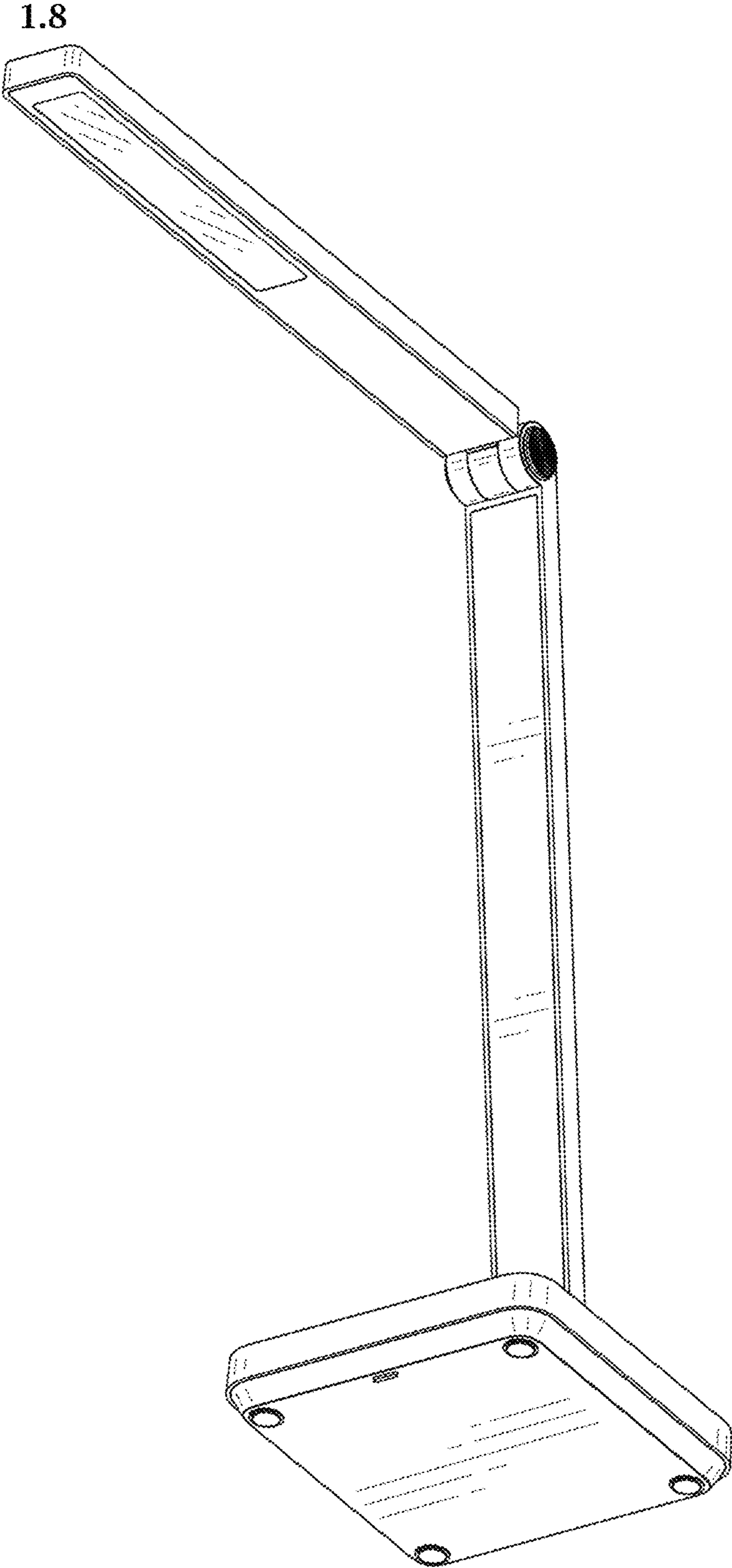


1.6

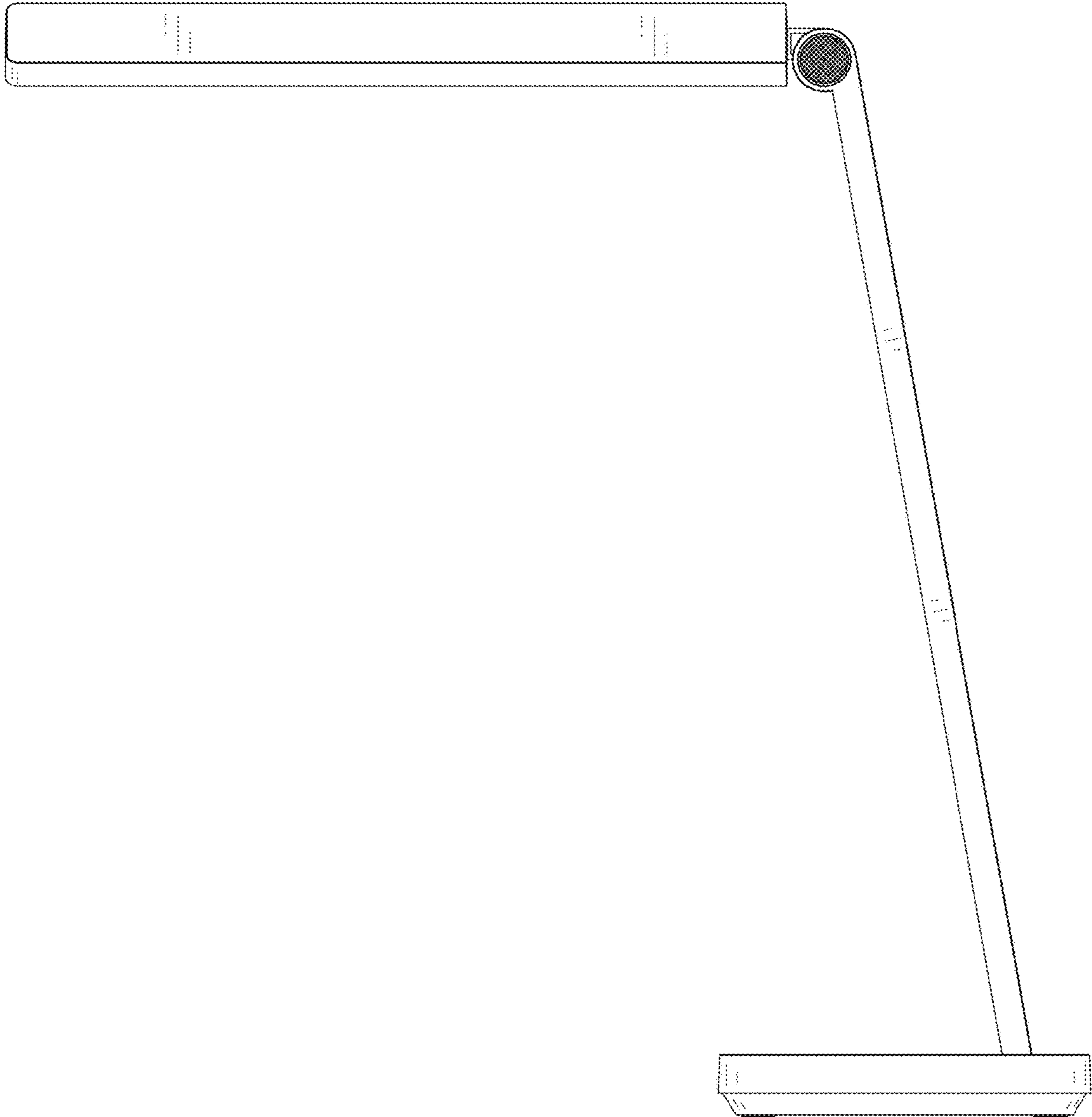


1.7

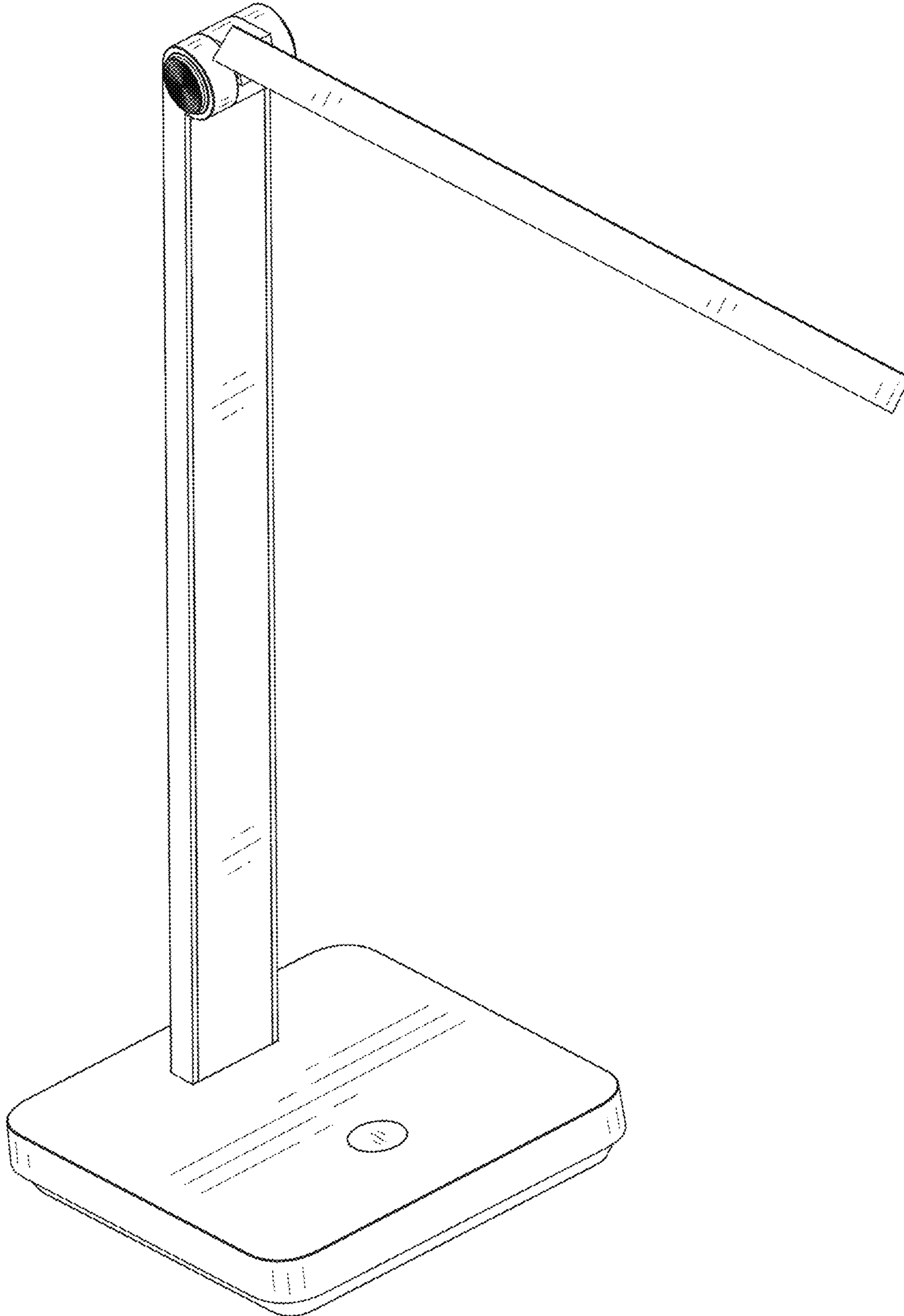




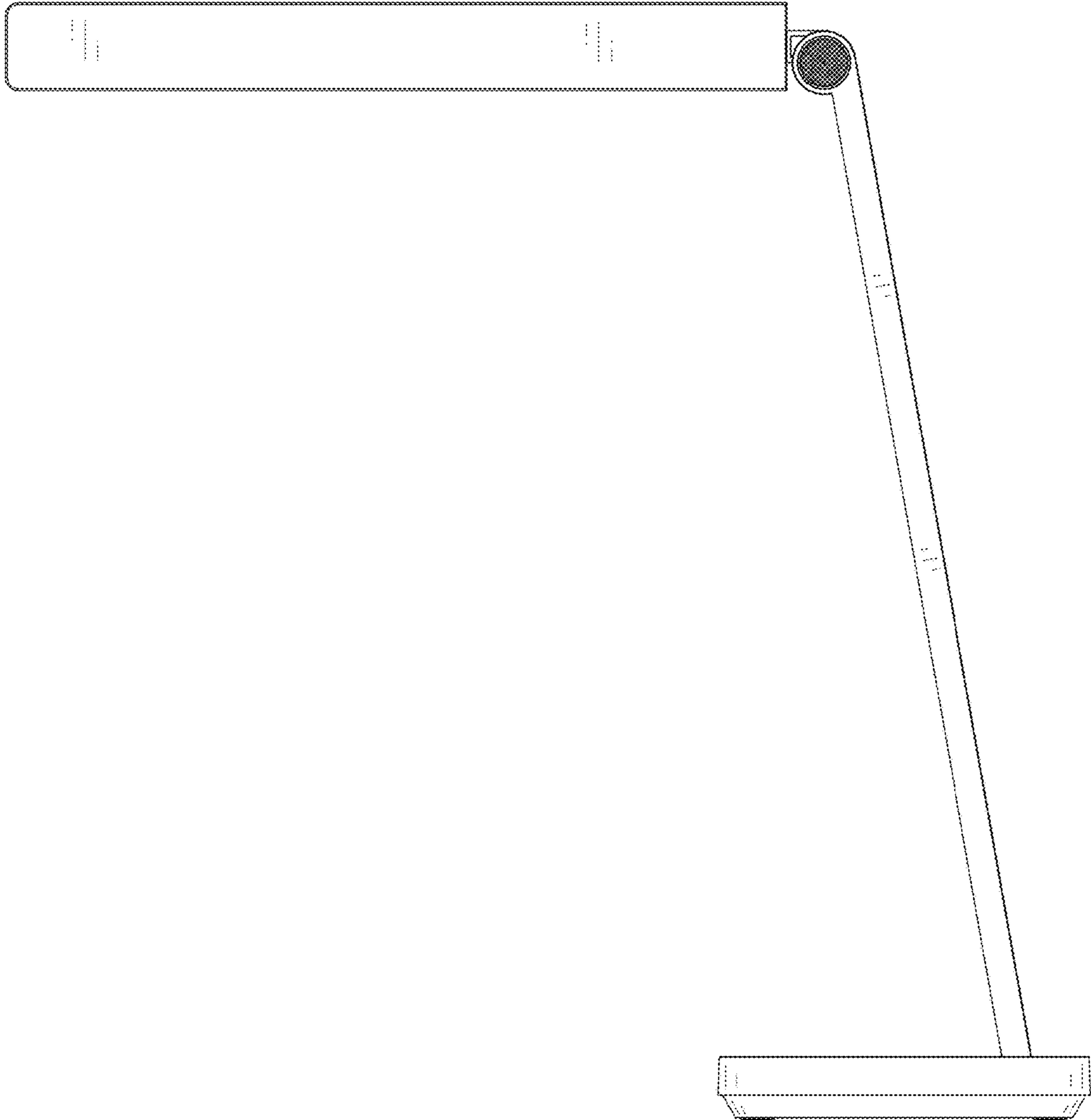
1.9



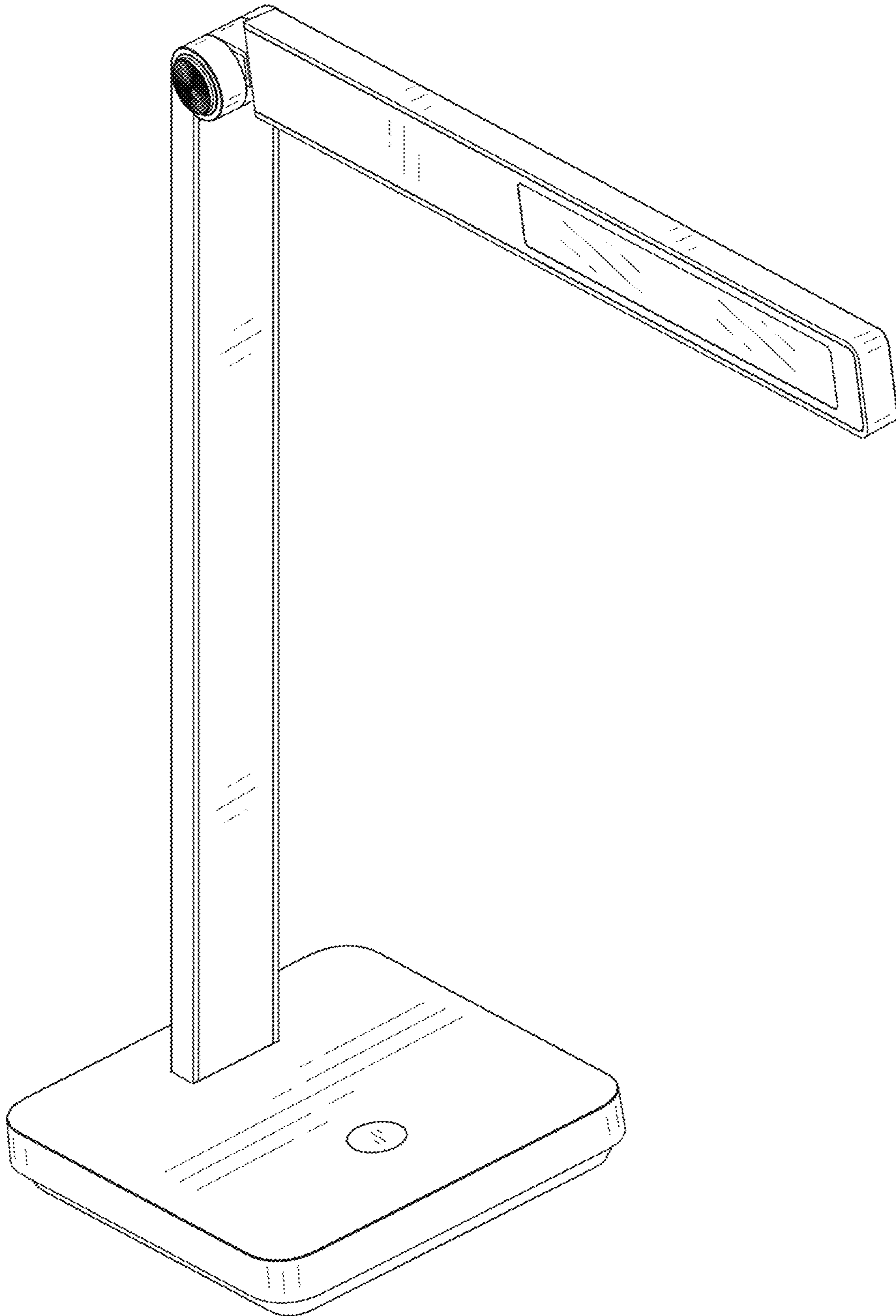
1.10



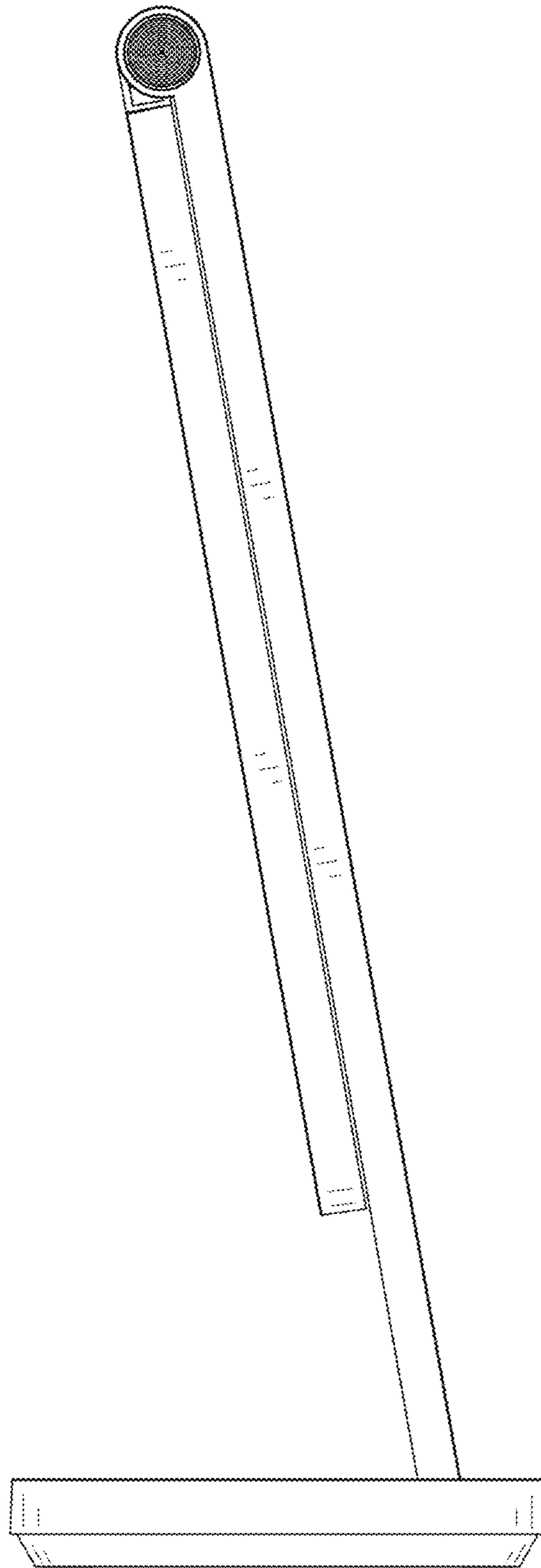
1.11



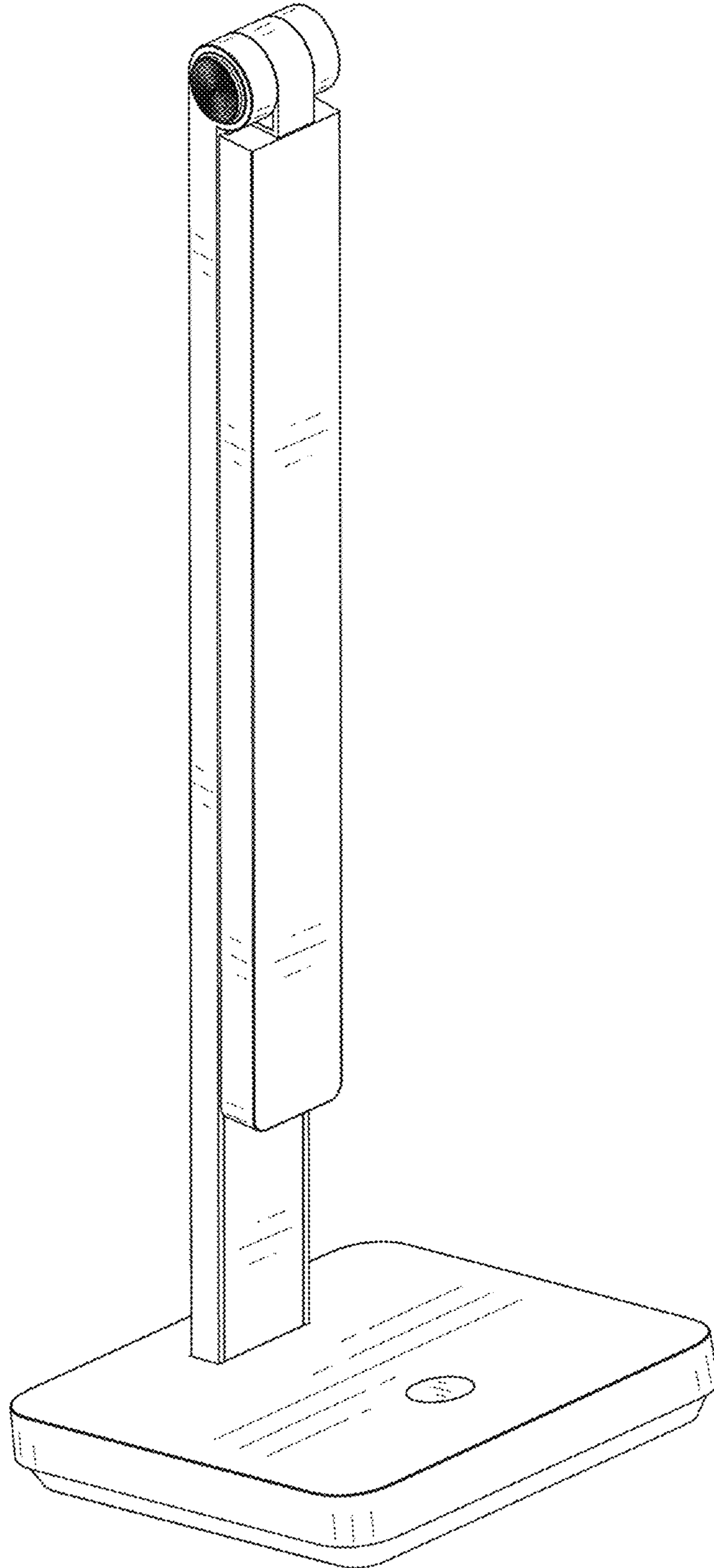
1.12



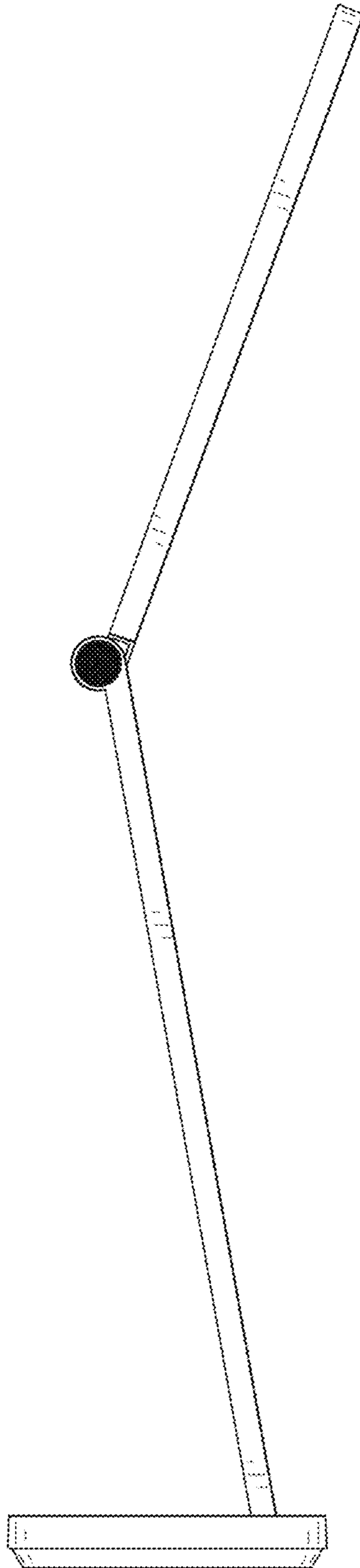
1.13



1.14



1.15



1.16

