



US00D936884S

(12) **United States Design Patent** (10) **Patent No.:** **US D936,884 S**
Lin (45) **Date of Patent:** **** Nov. 23, 2021**

(54) **CLIP-ON LED LIGHT**
(71) Applicant: **YUEQING YOUYOU E-COMMERCE CO., LTD.**, Yueqing (CN)
(72) Inventor: **Dongdong Lin**, Yueqing (CN)
(73) Assignee: **YUEQING YOUYOU E-COMMERCE CO., LTD.**, Yueqing (CN)

D882,843 S * 4/2020 Kaiser D26/60
D893,093 S * 8/2020 Jurkiewicz D26/142
D909,646 S * 2/2021 Saboo D26/60
D916,355 S * 4/2021 Sanchez Gonzalez D26/93
D924,454 S * 7/2021 Xiong D26/51
D926,344 S * 7/2021 Arola D26/51
11,073,274 B2 * 7/2021 Mondora F21V 21/30
11,091,305 B2 * 8/2021 Martinson B65D 63/18

(**) Term: **15 Years**

(21) Appl. No.: **29/773,876**

(22) Filed: **Mar. 12, 2021**

(51) **LOC (13) Cl.** **26-05**

(52) **U.S. Cl.**
USPC **D26/60**

(58) **Field of Classification Search**
USPC D26/1, 225, 94, 51, 68, 93, 60, 37, 113, D26/26
CPC F21S 6/00; F21S 6/002; F21S 6/004; F21S 4/00; F21S 4/15; F21S 2/00; F21S 8/033; F21S 8/036; F21S 8/085; F21S 8/088; F21L 2003/00; F21L 4/00; F21L 4/005; F21L 4/02; F21L 4/025; F21V 21/08; F21V 33/00; F21V 14/02; F21V 14/025
See application file for complete search history.

(56) **References Cited**

U.S. PATENT DOCUMENTS

D280,345 S * 8/1985 Paget D26/26
D609,376 S 2/2010 Cristoforo et al.
D636,513 S * 4/2011 Furtsch D26/51
D737,492 S 8/2015 Li
D835,316 S * 12/2018 Edgar D26/51

OTHER PUBLICATIONS

Amazon.com, Aureday, Video Conference Lighting, Aureday 6" Led, Mar. 23, 2021 (Year: 2021).*

* cited by examiner

Primary Examiner — Mark A Goodwin

Assistant Examiner — Benjamin M Weeks

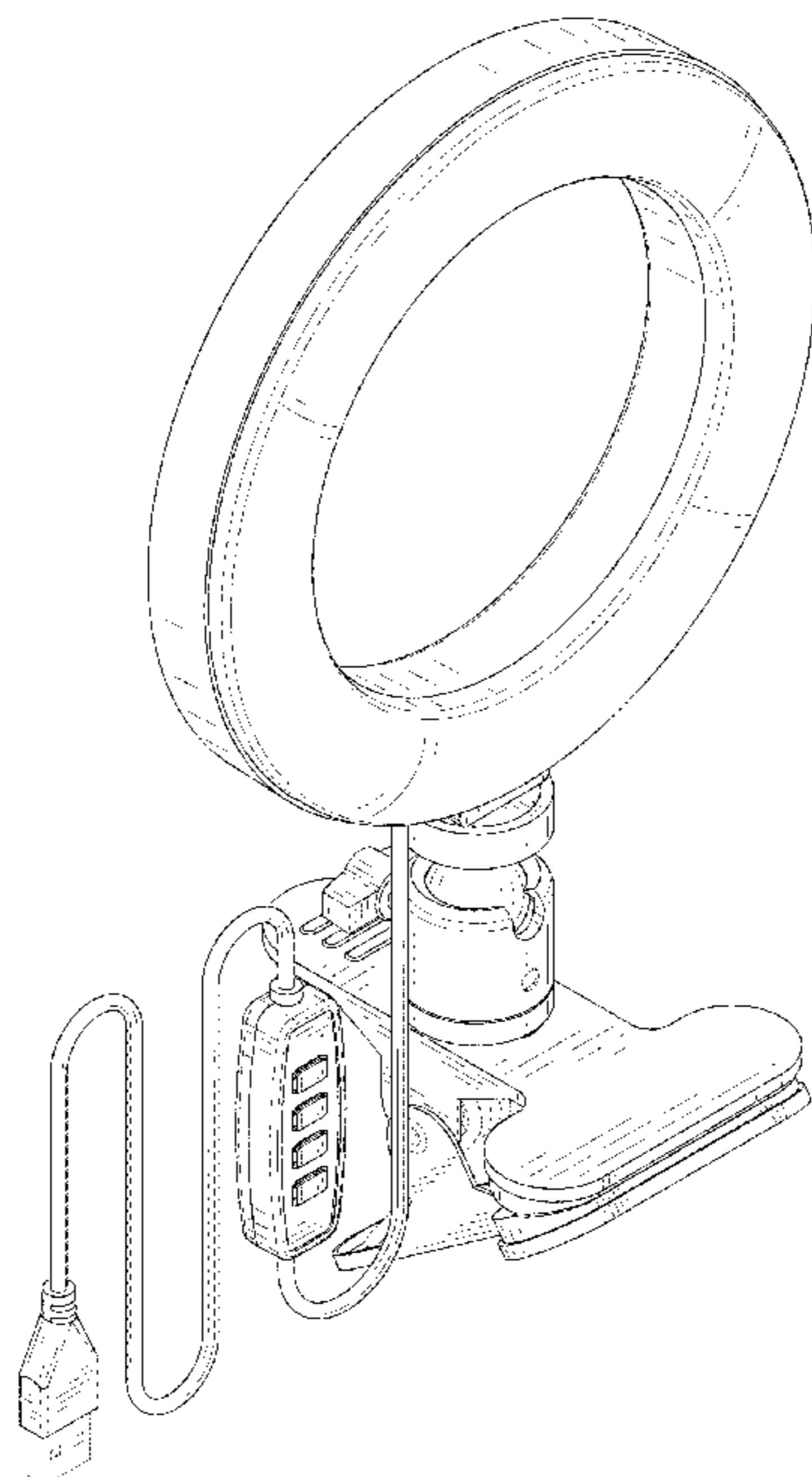
(57) **CLAIM**

The ornamental design for a clip-on LED light, as shown and described.

DESCRIPTION

FIG. 1 is a perspective view of a clip-on LED light showing my new design;
FIG. 2 is a perspective view of the clip-on LED light where the clip-on LED light is in a configuration of use;
FIG. 3 is another perspective view of FIG. 1;
FIG. 4 is a front elevational view thereof;
FIG. 5 is a rear elevational view thereof;
FIG. 6 is a left side elevational view thereof;
FIG. 7 is a right side elevational view thereof;
FIG. 8 is a top plan view thereof; and,
FIG. 9 is a bottom plan view.
The broken lines in the drawings depict portions of the clip-on LED light that form no part of the claimed design.

1 Claim, 9 Drawing Sheets



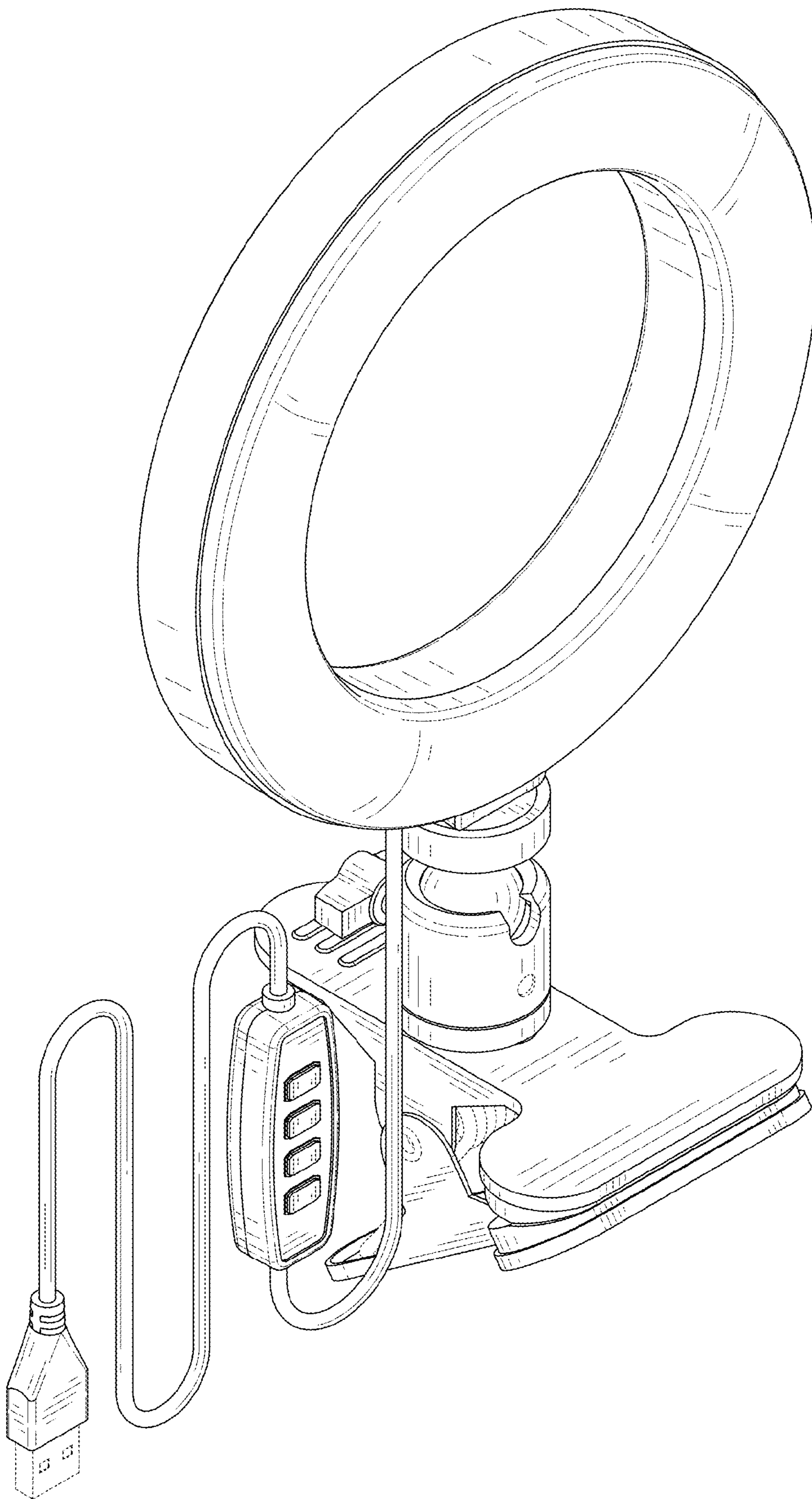


FIG. 1

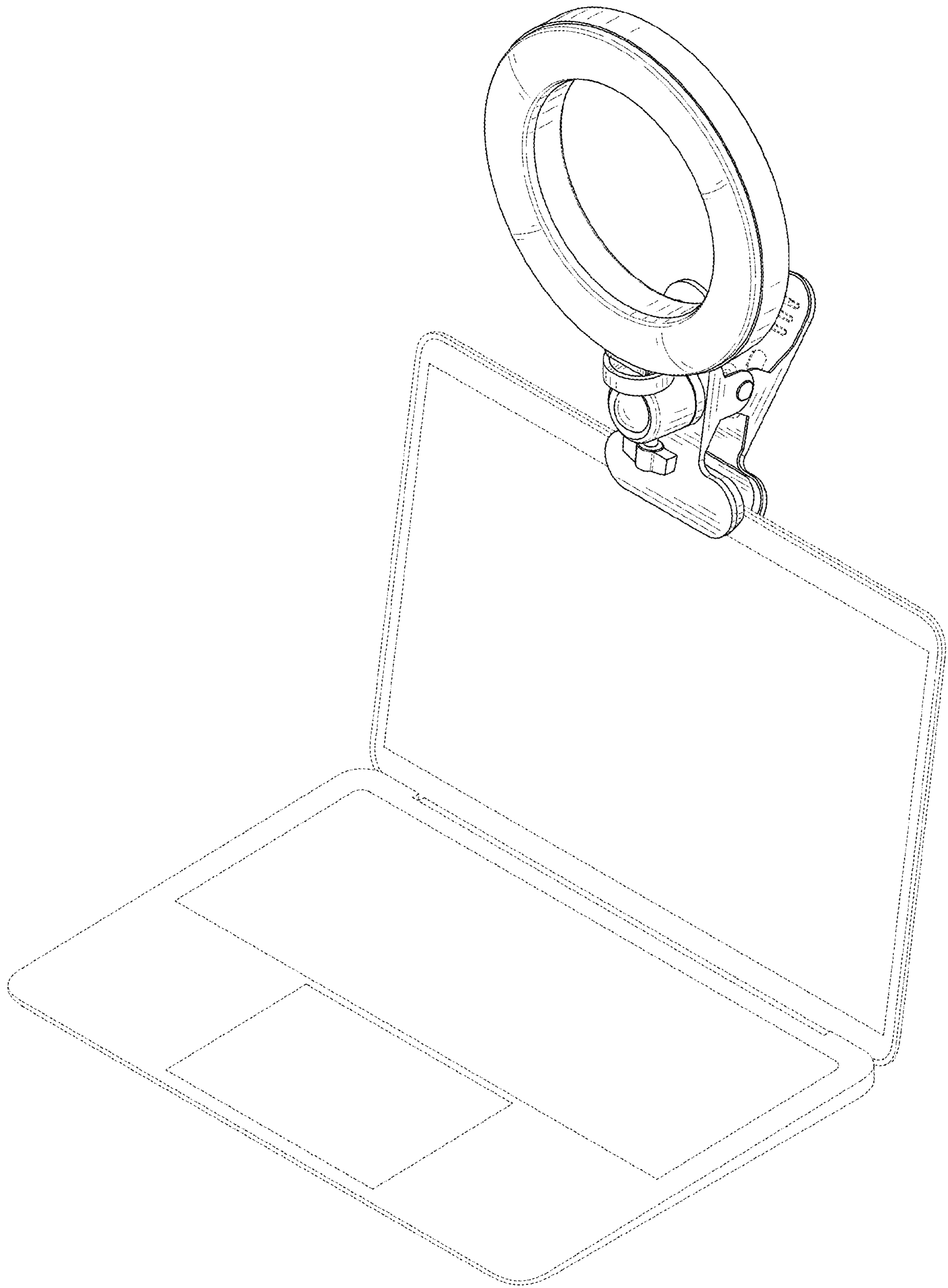


FIG. 2

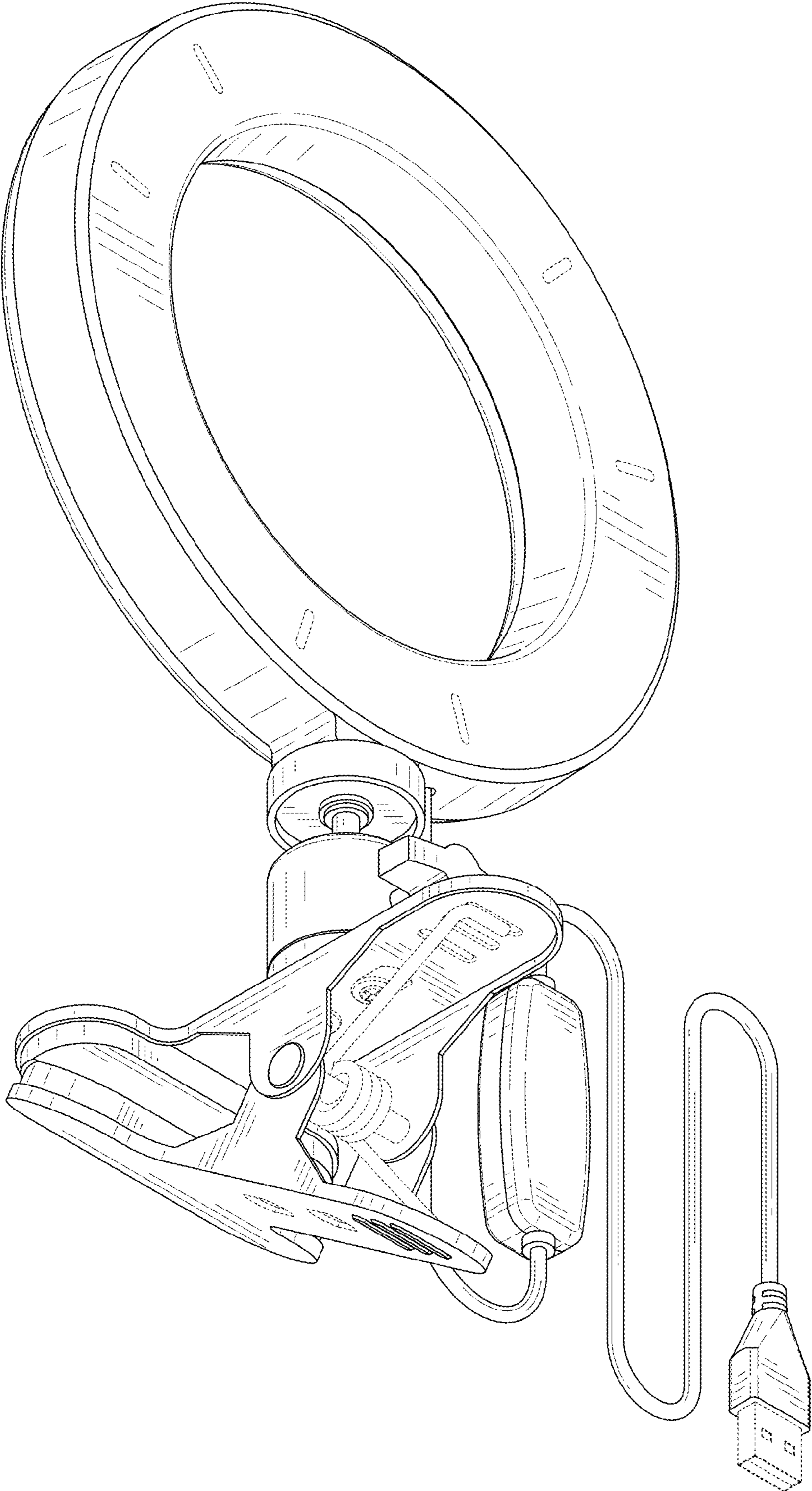


FIG. 3

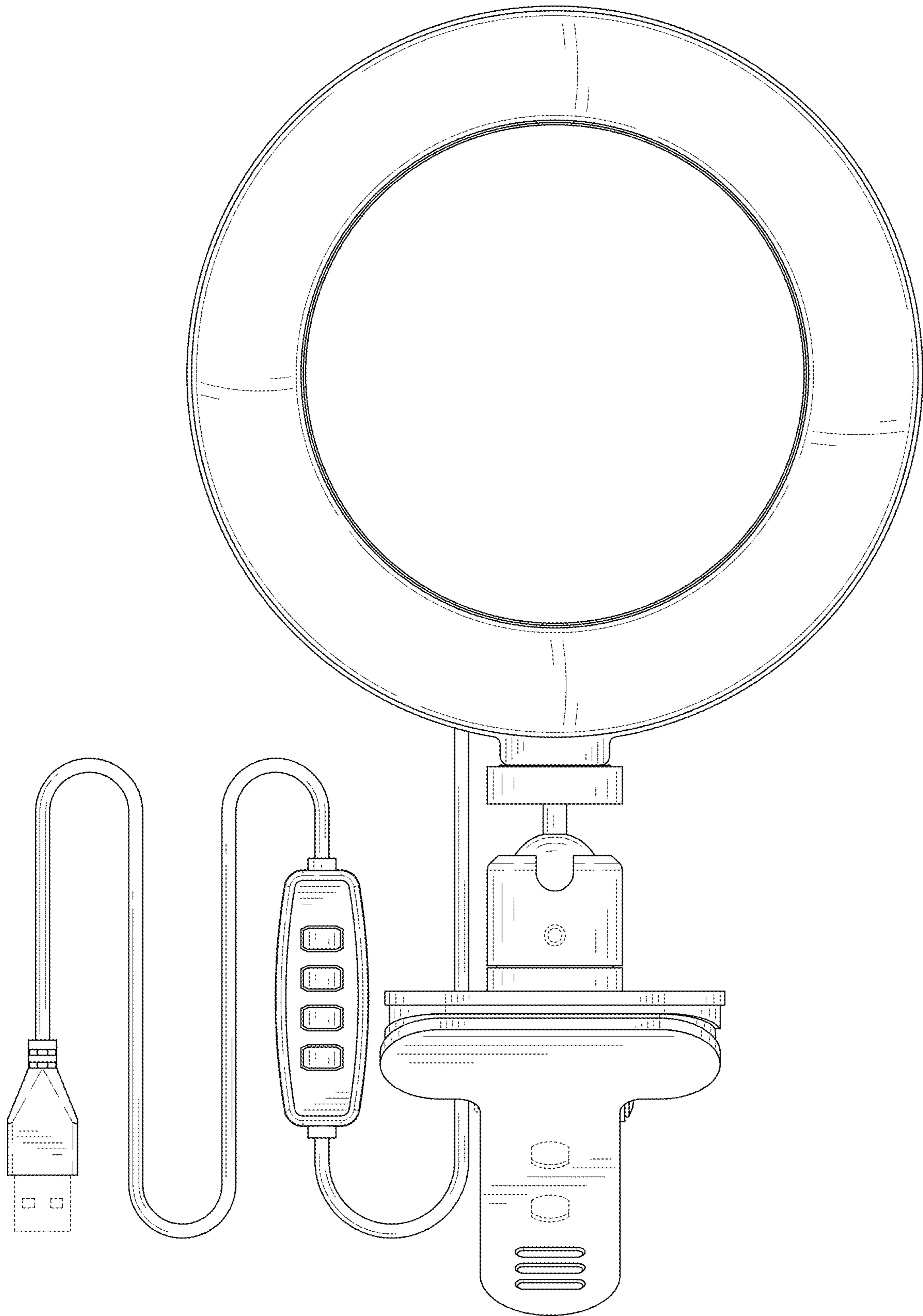


FIG. 4

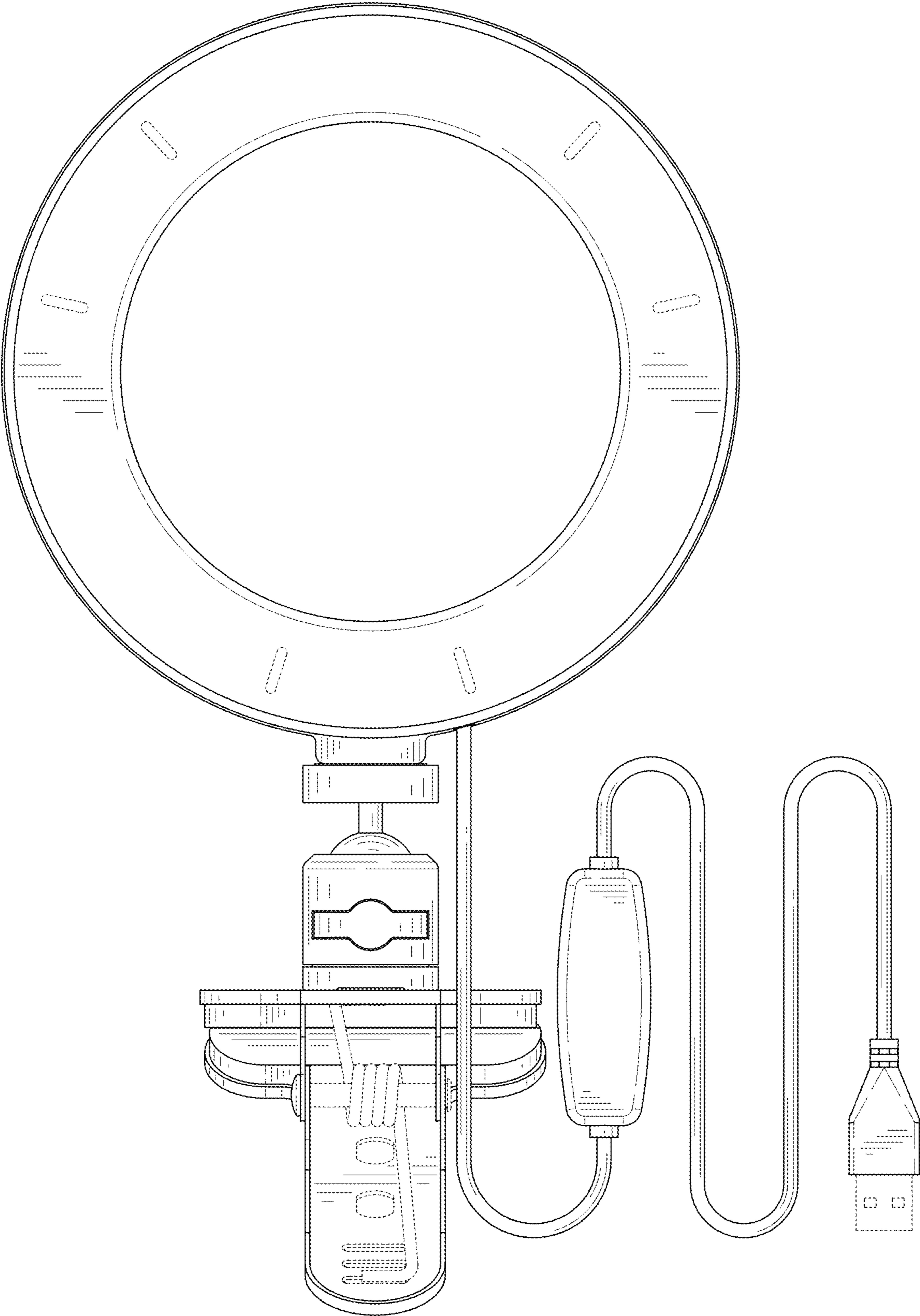


FIG. 5

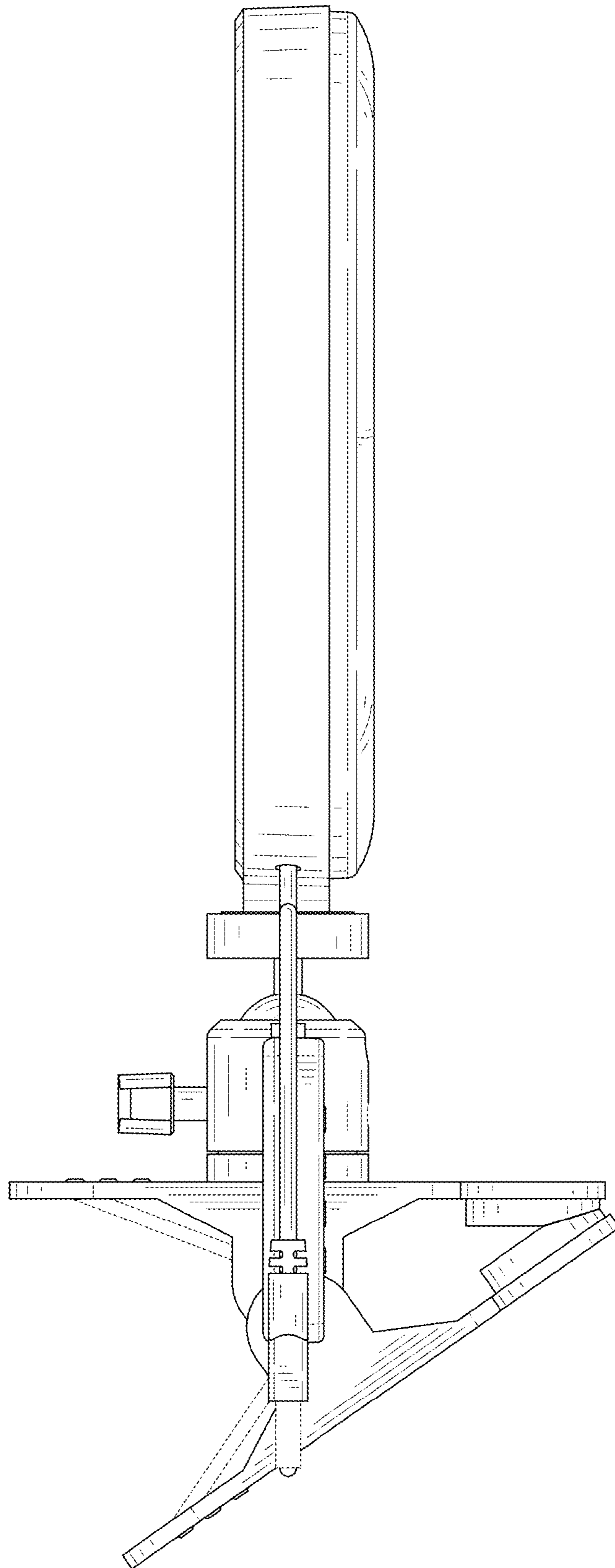


FIG. 6

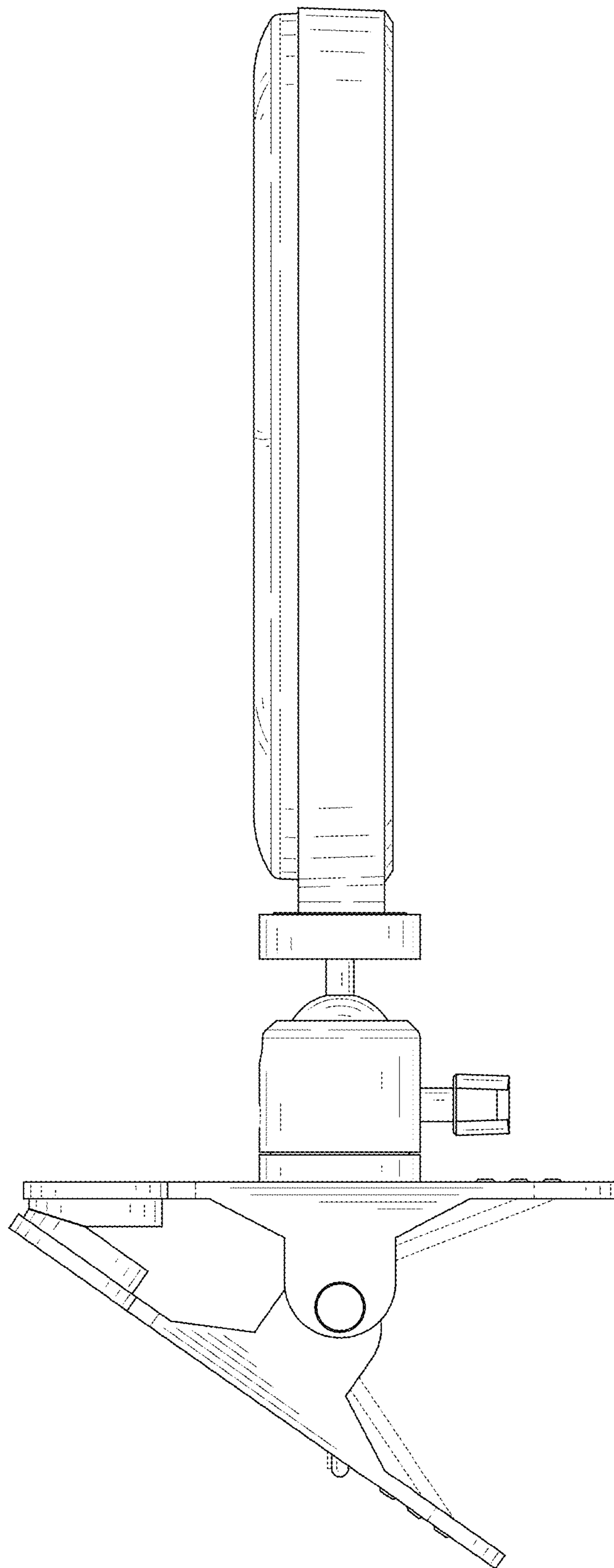


FIG. 7

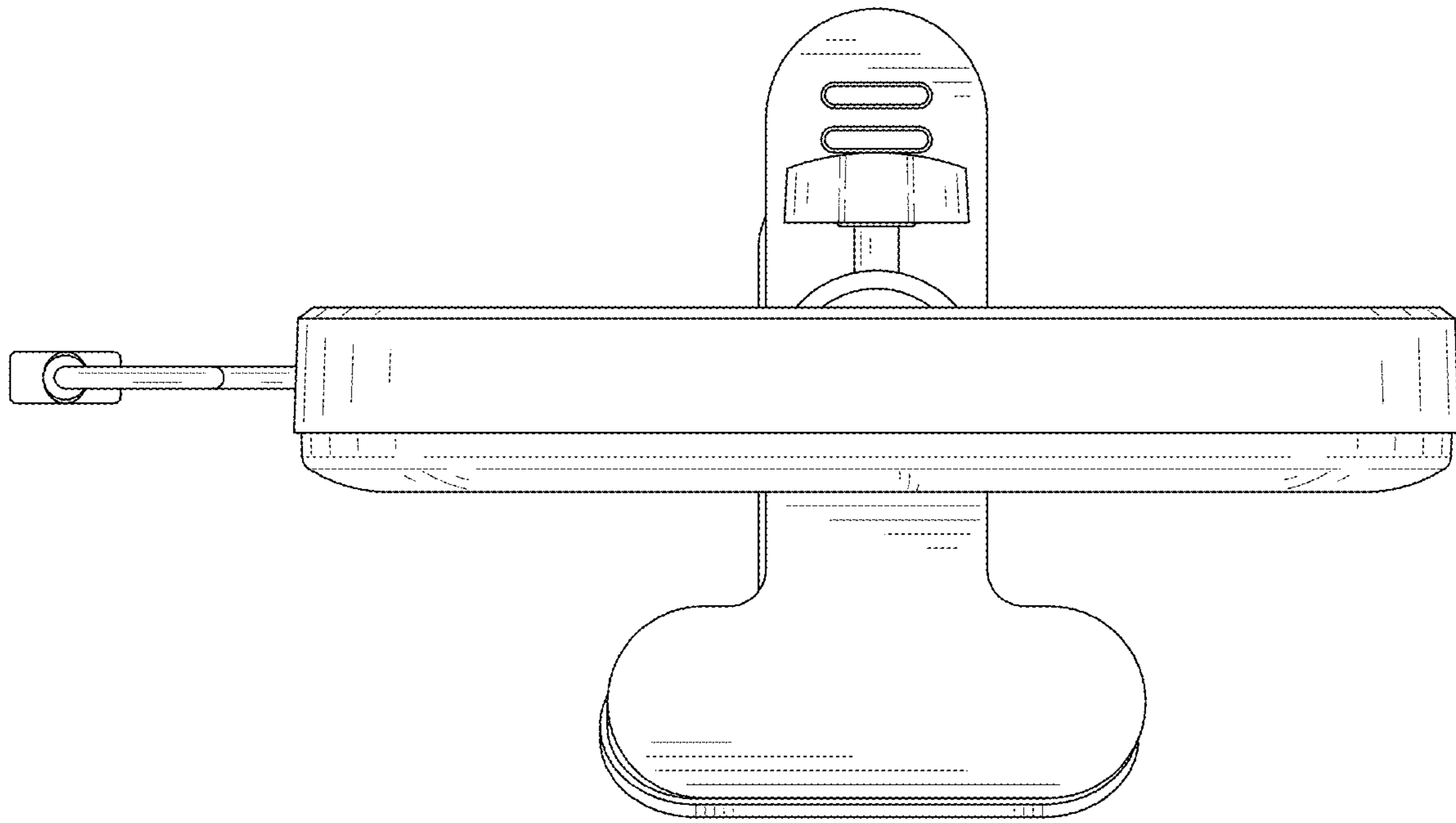


FIG. 8

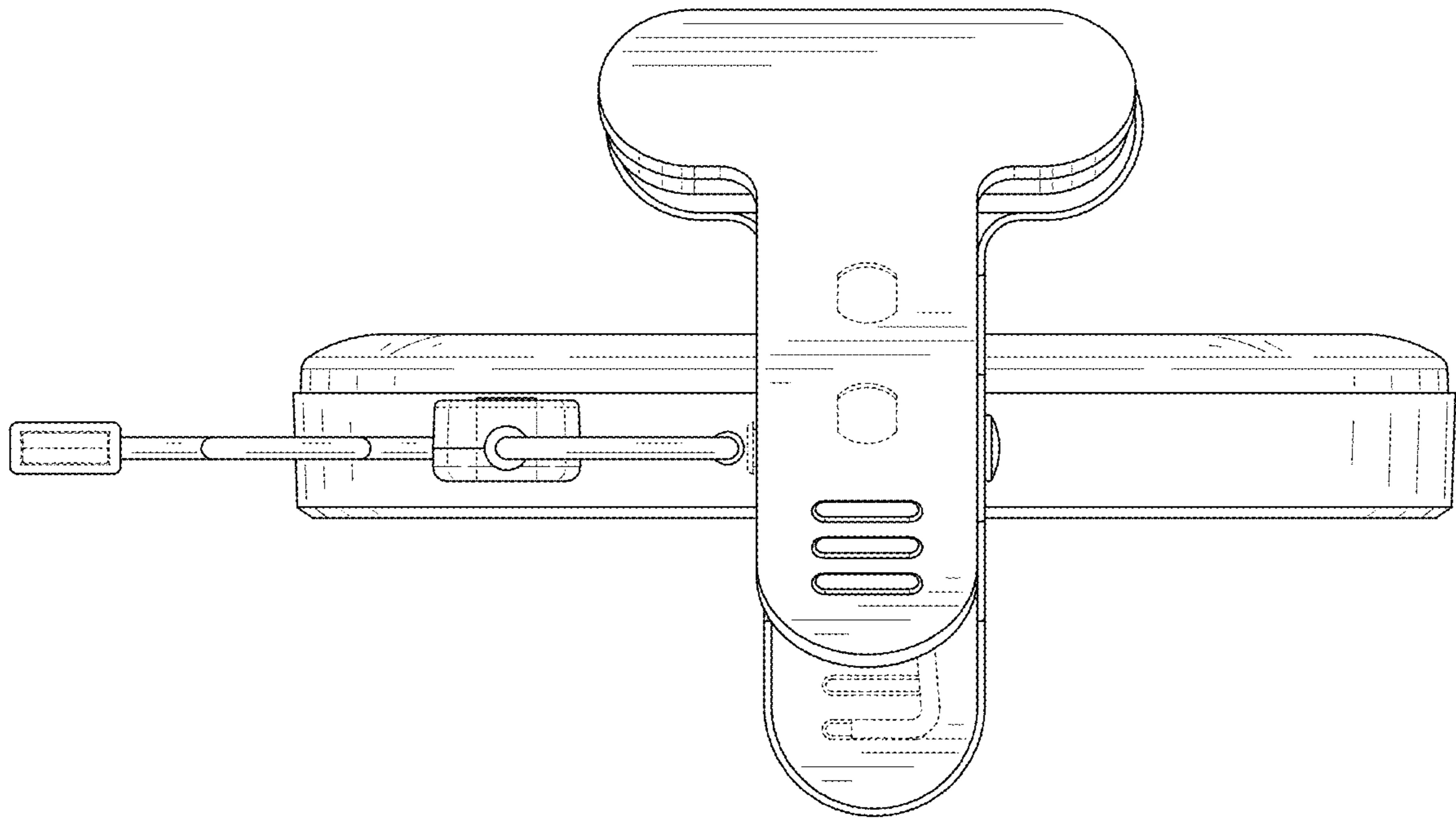


FIG. 9