



US00D936881S

(12) **United States Design Patent** (10) **Patent No.:** **US D936,881 S**
Eichelberger (45) **Date of Patent:** **** Nov. 23, 2021**

(54) **LIGHTING DEVICE**
(71) Applicant: **Streamlight, Inc.**, Eagleville, PA (US)
(72) Inventor: **Cleatis Eichelberger**, East Norriton, PA (US)
(73) Assignee: **Streamlight, Inc.**, Eagleville, PA (US)
(**) Term: **15 Years**
(21) Appl. No.: **29/717,196**

D557,838 S 12/2007 Shiu
D557,840 S 12/2007 Shiu
D564,116 S 3/2008 Linardos
D565,770 S 4/2008 Shiu
D566,309 S 4/2008 Kornfeld et al.
D568,515 S 5/2008 Liu
D572,395 S 7/2008 Guelzow et al.
D574,982 S 8/2008 Lau
D578,236 S 10/2008 Dalton
D579,135 S * 10/2008 Shiu D26/49
D586,025 S 2/2009 Bonis
D586,489 S 2/2009 Shiu
D603,988 S 11/2009 Sharrah

(Continued)

(22) Filed: **Dec. 16, 2019**
(51) **LOC (13) Cl.** **26-02**
(52) **U.S. Cl.**
USPC **D26/44**
(58) **Field of Classification Search**
USPC D26/37-51
CPC F21L 2003/00; F21L 4/005; F21L 4/025;
F21L 4/027; F21L 4/04; F21L 4/08; F21L
13/00; F21L 13/08; F21L 14/02; F21L
19/00; F21L 2/00; F21L 4/00-4/085;
F21L 15/00-15/14; F21L 2001/00; F21L
2005/00; F21L 25/00; F21V 21/0832;
F21V 21/0885; F21V 7/0075; F21V
17/002

See application file for complete search history.

(56) **References Cited**

U.S. PATENT DOCUMENTS

D422,733 S * 4/2000 Kung D26/49
D481,816 S 11/2003 Sharrah et al.
D482,151 S * 11/2003 Shiu D26/49
D499,826 S * 12/2004 Ping D26/44
D518,217 S * 3/2006 Rugendyke D26/49
D521,170 S 5/2006 Craft et al.
D521,666 S 5/2006 Chean
D521,667 S 5/2006 Chean
D527,476 S 8/2006 Craft
D548,863 S 8/2007 Shiu
D549,369 S 8/2007 DeBrunner

OTHER PUBLICATIONS

Polytac® 90 X USB_Polytac® 90 X _ Data Sheet https://www.flashlightdealer.com/Document/Streamlight/polytac90x_datasheet.pdf Feb. 22, 2021 (Year: 2021).*

(Continued)

Primary Examiner — Leanne Was-Englehart
(74) *Attorney, Agent, or Firm* — Quarles & Brady LLP;
James J. Aquilina

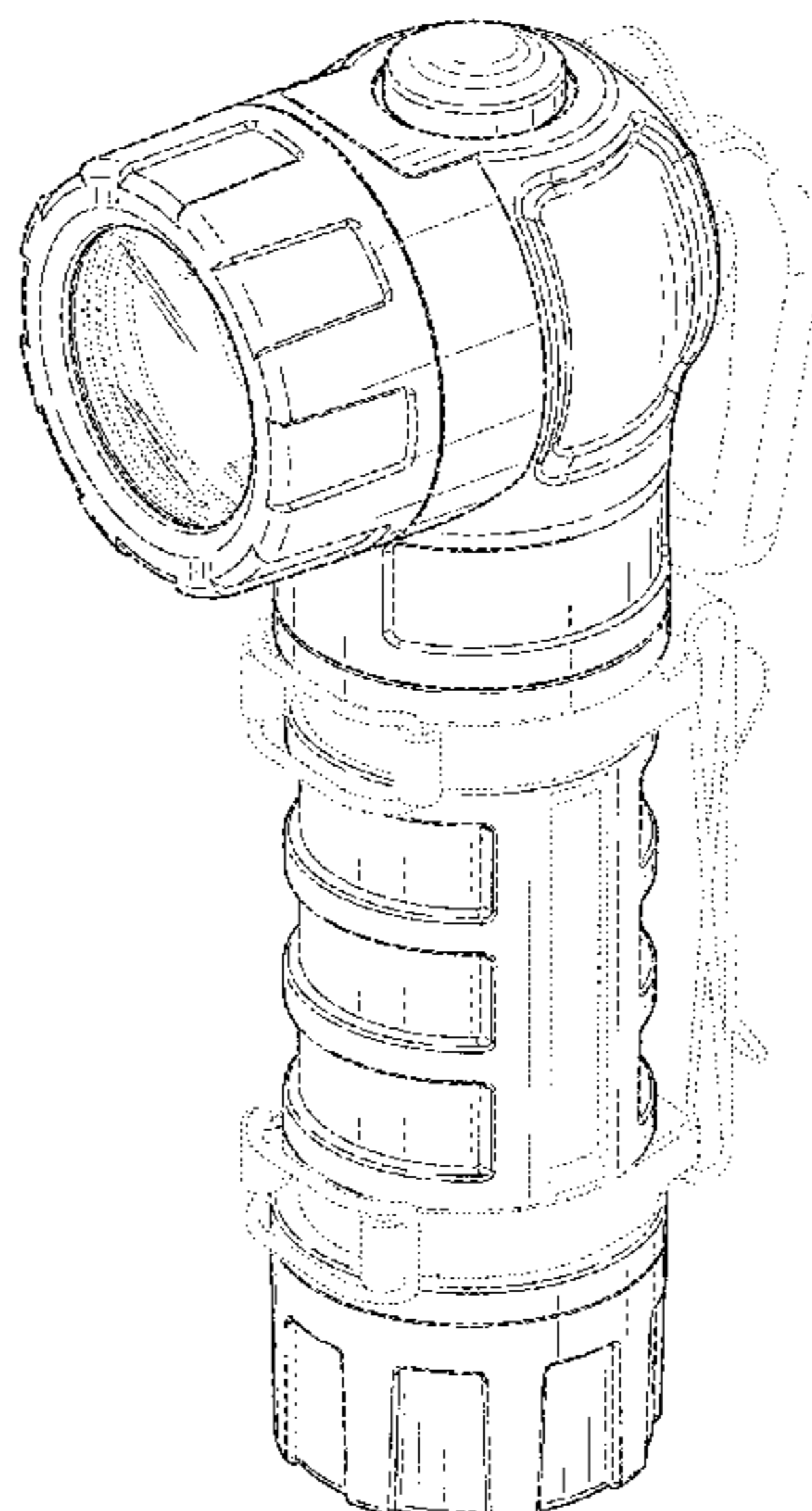
(57) **CLAIM**

The ornamental design for a lighting device, as shown and described.

DESCRIPTION

FIG. 1 is a front perspective view of a lighting device showing my new design;
FIG. 2 is a front elevation view thereof;
FIG. 3 is a rear elevation view thereof;
FIG. 4 is a right side elevation view thereof;
FIG. 5 is a left side elevation view thereof;
FIG. 6 is a top plan view thereof; and,
FIG. 7 is a bottom plan view thereof.
The dashed broken lines in the Figures show unclaimed portions of the lighting device.

1 Claim, 6 Drawing Sheets



(56)

References Cited

U.S. PATENT DOCUMENTS

D603,989	S	11/2009	Gardner et al.	
D605,795	S *	12/2009	Baker	D26/44
D620,161	S *	7/2010	Kang	D26/45
D620,163	S *	7/2010	Kang	D26/49
D622,428	S	8/2010	Crawford et al.	
D623,323	S *	9/2010	Kung	D26/45
D628,727	S *	12/2010	Risch	D26/49
D629,542	S	12/2010	Robinson	
D629,544	S	12/2010	Deguglimo et al.	
D647,232	S	10/2011	Liu	
D647,654	S	10/2011	Li	
D651,334	S *	12/2011	Yuen	D26/50
D655,027	S	2/2012	Milz et al.	
D681,246	S *	4/2013	Keeley	D26/44
D681,858	S *	5/2013	Sharrah	D26/49
D683,877	S	6/2013	Brands et al.	
D687,582	S *	8/2013	Kawase	D26/44
D688,402	S	8/2013	Roshak et al.	
D698,961	S	2/2014	Dalton	
8,662,701	B2	3/2014	Sharrah et al.	
D710,526	S	8/2014	Lee	
D716,984	S	11/2014	Inskeep	
D744,137	S	11/2015	Ma	
D745,987	S	12/2015	Nawaz	
D747,024	S	1/2016	Windom	
D749,766	S	2/2016	Nguyen	
D752,263	S *	3/2016	Keeley	F21L 4/04 D26/44
D754,381	S *	4/2016	Inskeep	D26/45
9,341,324	B2	5/2016	Sharrah	
D767,187	S *	9/2016	Hine	D26/49
9,453,624	B2 *	9/2016	Sharrah	F21V 29/505
D769,496	S	10/2016	Inskeep	
D774,229	S	12/2016	Prieto et al.	
D788,341	S *	5/2017	Inskeep	D26/45
D794,857	S	8/2017	Sharrah et al.	
D810,337	S	2/2018	Eichelberger	
D814,086	S *	3/2018	Cooper	D26/45
D824,060	S *	7/2018	Kunzendorf	D26/45
D833,661	S *	11/2018	Ma	D26/45
10,119,686	B2 *	11/2018	Sharrah	F21V 21/0832
D837,428	S *	1/2019	Arena	D26/44
D884,942	S *	5/2020	Sharrah	D26/37
D896,419	S *	9/2020	Clark	D26/45
2009/0323344	A1	12/2009	Crawford et al.	
2012/0182727	A1 *	7/2012	Sharrah	F21V 21/0885 362/190
2016/0033090	A1	2/2016	Sharrah	

OTHER PUBLICATIONS

PolyTac® X_PolyTac® X USB Super Bright LED Flashlight_ Streamlight <https://web.archive.org/web/20200502094056/https://www.streamlight.com/products/detail/index/polytac-90-x-usb-polytac-90-x> Available May 2, 2020 (Year: 2020).*

Streamlight PolyTac 90X <https://www.youtube.com/watch?v=DS49Au5Og2A> Posted Jul. 27, 2020 (Year: 2020).*

Streamlight—Polytac 90 Right Angle Light, [online], [Retrieved on Aug. 28, 2018], Retrieved from the internet: <<https://www.streamlight.com/en/products/detail/index/polytac-90>>.

Fenix—MC11 LED Flashlight, [online], [Retrieved on Aug. 28, 2018], Retrieved from the internet: <<https://www.fenix-store.com/fenix-mc11-2014-led-flashlight-multi-functional-angle-light/>>.

Fenix—LD15R Right-Angled Rechargeable LED Flashlight, [online], [Retrieved on Aug. 28, 2018], Retrieved from the internet: <<https://www.fenix-store.com/fenix-ld15r-right-angled-rechargeable-led-flashlight/>>.

Nitecore—MT21C 1000 Lumen 90 Degree Tilttable Head Multi-function LED Flashlight, [online], [Retrieved on Aug. 28, 2018], Retrieved from the internet: <[https://www.amazon.com/Nitecore-MT21C-Multifunctional-Adjustable-Flashlight/dp/B07C3BFNK3/ref=asc_df_B07C3BFNK3/?tag=hyprod-20&linkCode=df0&hvadid=](https://www.amazon.com/Nitecore-MT21C-Multifunctional-Adjustable-Flashlight/dp/B07C3BFNK3/ref=asc_df_B07C3BFNK3/?tag=hyprod-20&linkCode=df0&hvadid=241887629712&hvpos=1o1&hvnetw=g&hvrand=11164232744439710630&hvpone=&hvptwo=&hvqmt=&hvdev=c&hvdvcmdl=&hvlocint=&hvlocphy=9006986&hvtargid=pla-463288118614&pssc=1)

241887629712&hvpos=1o1&hvnetw=g&hvrand=11164232744439710630&hvpone=&hvptwo=&hvqmt=&hvdev=c&hvdvcmdl=&hvlocint=&hvlocphy=9006986&hvtargid=pla-463288118614&pssc=1>.

Uniquefire—UF-V4-A Angle Shape Design Cree XPE 250-Lumen 90 Degree Mini LED Flashlight Lamp, [online], [Retrieved on Aug. 28, 2018], Retrieved from the internet: <<https://ca.lightmalls.com/uniquefire-uf-v4-a-angle-shape-design-cree-xpe-250-lumen-90-degree-mini-led-flashlight-lamp>>.

Streamlight—Pro Tac HL USB Flashlight, [online], [Retrieved on Aug. 30, 2018], Retrieved from the internet: <https://www.streamlight.com/pdf/protac-hl-usb_en.pdf>.

Streamlight—Pro Tac 1AA Flashlight, [online], [Retrieved on Aug. 30, 2018], Retrieved from the internet: <https://www.streamlight.com/pdf/protac-11-1aa_en.pdf>.

Streamlight—Pro Tac 1L Flashlight, [online], [Retrieved on Aug. 30, 2018], Retrieved from the internet: <<https://www.streamlight.com/en/products/detail/index/protac-1l>>.

Streamlight—NightFighter LED Flashlight, [online], [Retrieved on Aug. 30, 2018], Retrieved from the internet: <<https://www.streamlight.com/products/detail/index/nightfighter-led>>.

Streamlight—Stylus Pro Alkaline Battery-Powered LED Penlight, [online], [Retrieved on Aug. 30, 2018], Retrieved from the internet: <<https://www.streamlight.com/en/products/detail/index/stylus-pro>>.

Eveready Industries India Ltd—Digi LED Torch, [online], [Retrieved on Aug. 30, 2018], Retrieved from the internet: <<https://www.tradeindia.com/fp60373/DigiLED-Torch.html>>.

Streamlight—Stylus Pro Penlight, [online], [Retrieved on Sep. 6, 2018], Retrieved from the internet: <<https://www.streamlight.com/en/products/detail/index/stylus-pro>>.

Streamlight—66403 PolyStylus Penlight with Green LED, Black, [online], [Retrieved on Sep. 6, 2018], Retrieved from the internet: <<https://www.amazon.com/Streamlight-66403-PolyStylus-Penlight-Green/dp/B002ED6S7K>>.

Streamlight—TL-2 LED Flashlight, [online], [Retrieved on Sep. 6, 2018], Retrieved from the internet: <<https://www.streamlight.com/en/products/detail/index/tl-2-led>>.

Streamlight—88106 TL-3 3-Lithium LED Tactical Flashlight, Black [online], [Retrieved on Sep. 6, 2018], Retrieved from the internet: <<https://www.amazon.com/Streamlight-88106-3-Lithium-Tactical-Flashlight/dp/B00008VE4E>>.

Streamlight—Pro Tac HL Professional Tactical Light, [online], [Retrieved on Sep. 6, 2018], Retrieved from the internet: <https://tacticalgear.com/streamlight-protac-hl-professional-tactical-light-black?hp=y&gclid=EA1a1QobChMI_f_t5d6V3QIVxCaGCh1bZgTiEAQYBCABEGJHRPD_BwE#/16078/653/1&dl=b>.

Fenix—E21 Flashlight, [online], [Retrieved on Sep. 6, 2018], Retrieved from the internet: <<http://www.fenixlight.com/ProductMore.aspx?id=47#.W4hkruhKiUk>>.

Fenix—LD20 (R4) Variable Output LED Flashlight, [online], [Retrieved on Sep. 6, 2018], Retrieved from the internet: <<https://www.knifecenter.com/item/FELD20R4/fenix-ld20-r4-variable-output-led>>.

Fenix—LD10 (R4) Variable Output LED Flashlight, [online], [Retrieved on Sep. 6, 2018], Retrieved from the internet: <<https://www.knifecenter.com/item/FELD10R4/fenix-ld10-r4-variable-output-led>>.

Fenix—PD30 (R4) Variable Output LED Flashlight, [online], [Retrieved on Sep. 6, 2018], Retrieved from the internet: <<https://www.knifecenter.com/item/FEPD30R4/fenix-pd30-r4-variable-output-led>>.

Fenix—TK12 (R5) Variable Output Tactical LED Flashlight, [online], [Retrieved on Sep. 6, 2018], Retrieved from the internet: <<https://www.knifecenter.com/item/FETK12R5/fenix-tk12-r5-variable-output-tactical>>.

Fenix—L Series Flashlight, [online], [Retrieved on Sep. 6, 2018], Retrieved from the internet: <<https://www.knifecenter.com/item/FEFXL1DQ50/fenix-l-series-flashlight-od-green>>.

Streamlight—Polytac Flashlight, [online], [Retrieved on Nov. 29, 2019], Retrieved from the internet: <<https://www.streamlight.com/products/detail/index/polytac>>.

(56)

References Cited

OTHER PUBLICATIONS

Streamlight—Polytac HP Flashlight, [online], [Retrieved on Nov. 29, 2019], Retrieved from the internet: <<https://www.streamlight.com/products/detail/index/polytac-hp>>.

Streamlight—Vantage 180 X USB/Vantage® 180 X Flashlight, [online], [Retrieved on Nov. 29, 2019], Retrieved from the internet: <<https://www.streamlight.com/en/products/detail/index/vantage-180-x-usb-vantage-180-x-flashlight>>.

Streamlight—Survivor Right Angle LED Light, [online], [Retrieved on Nov. 29, 2019], Retrieved from the internet: <<https://www.streamlight.com/en/products/detail/index/survivor>>.

* cited by examiner

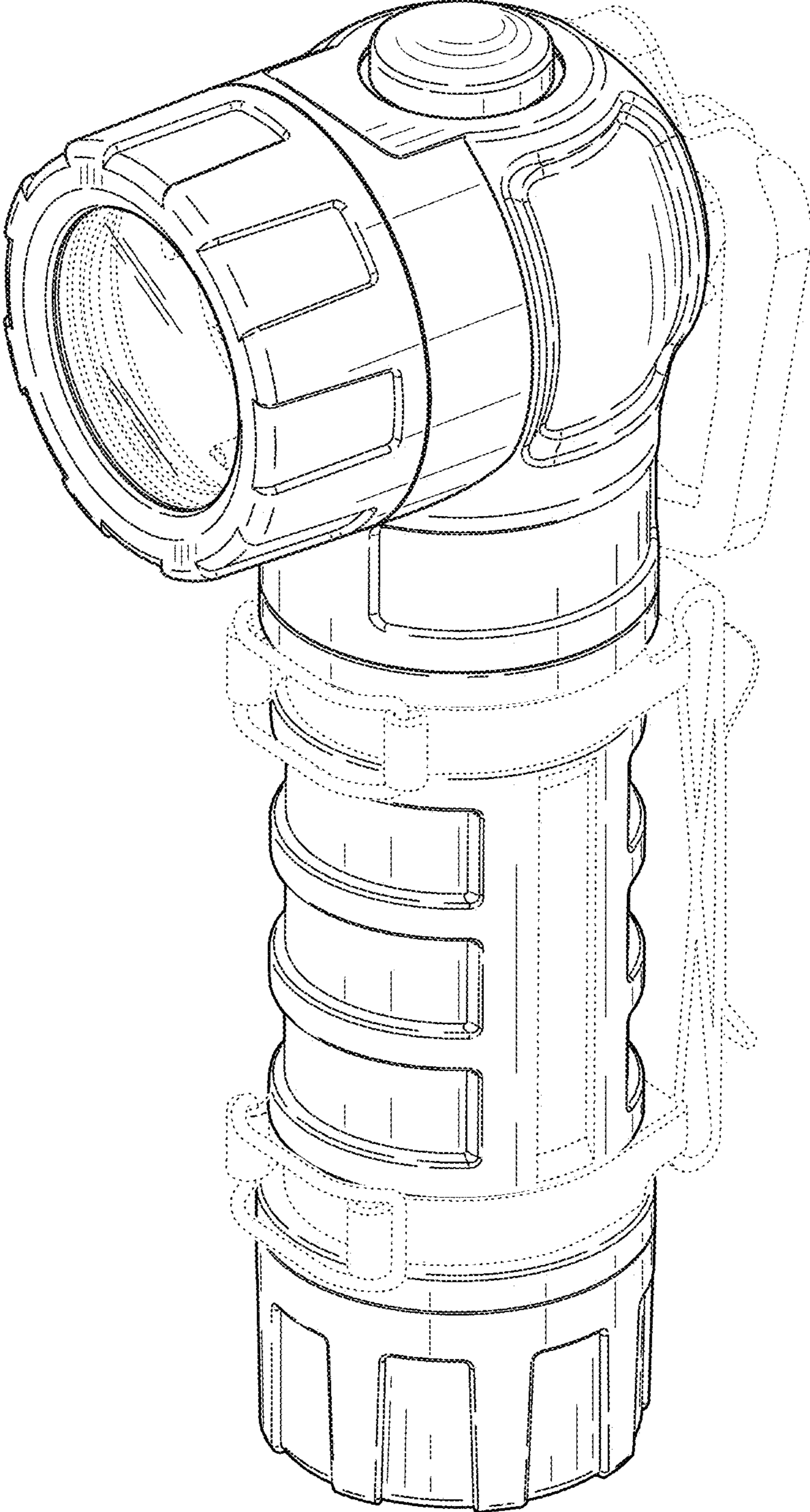


FIG. 1

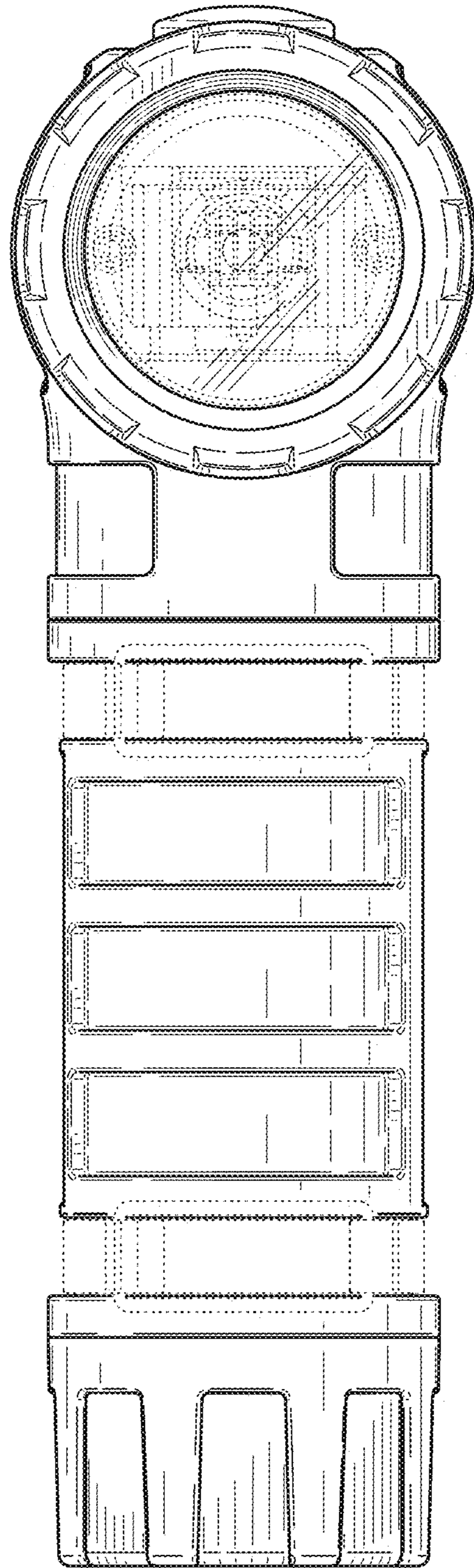


FIG. 2

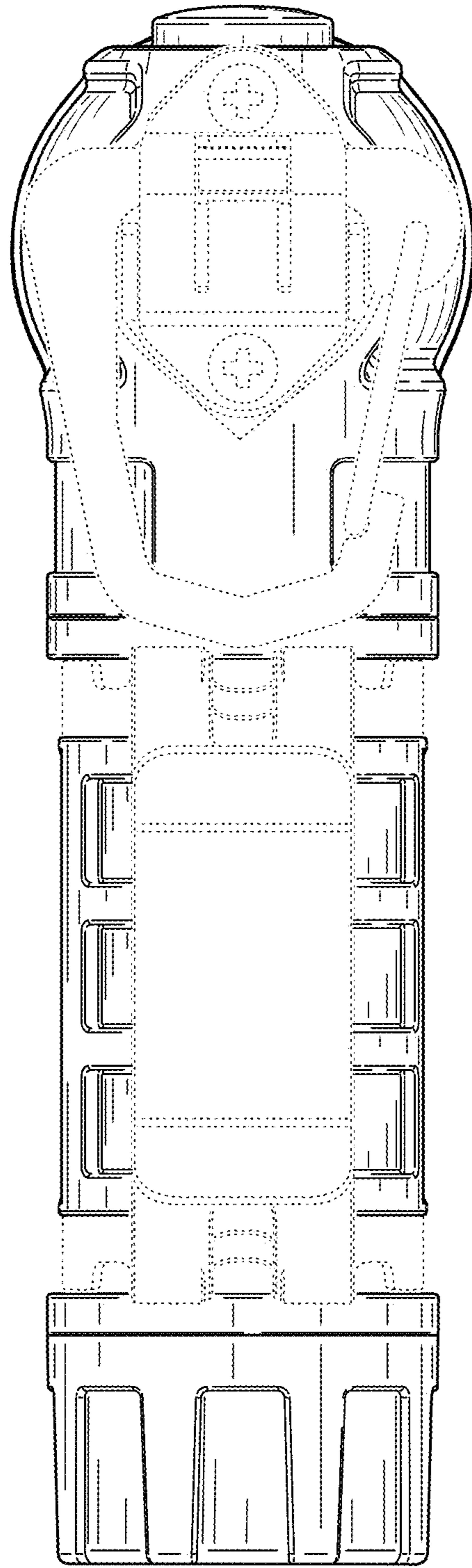


FIG. 3

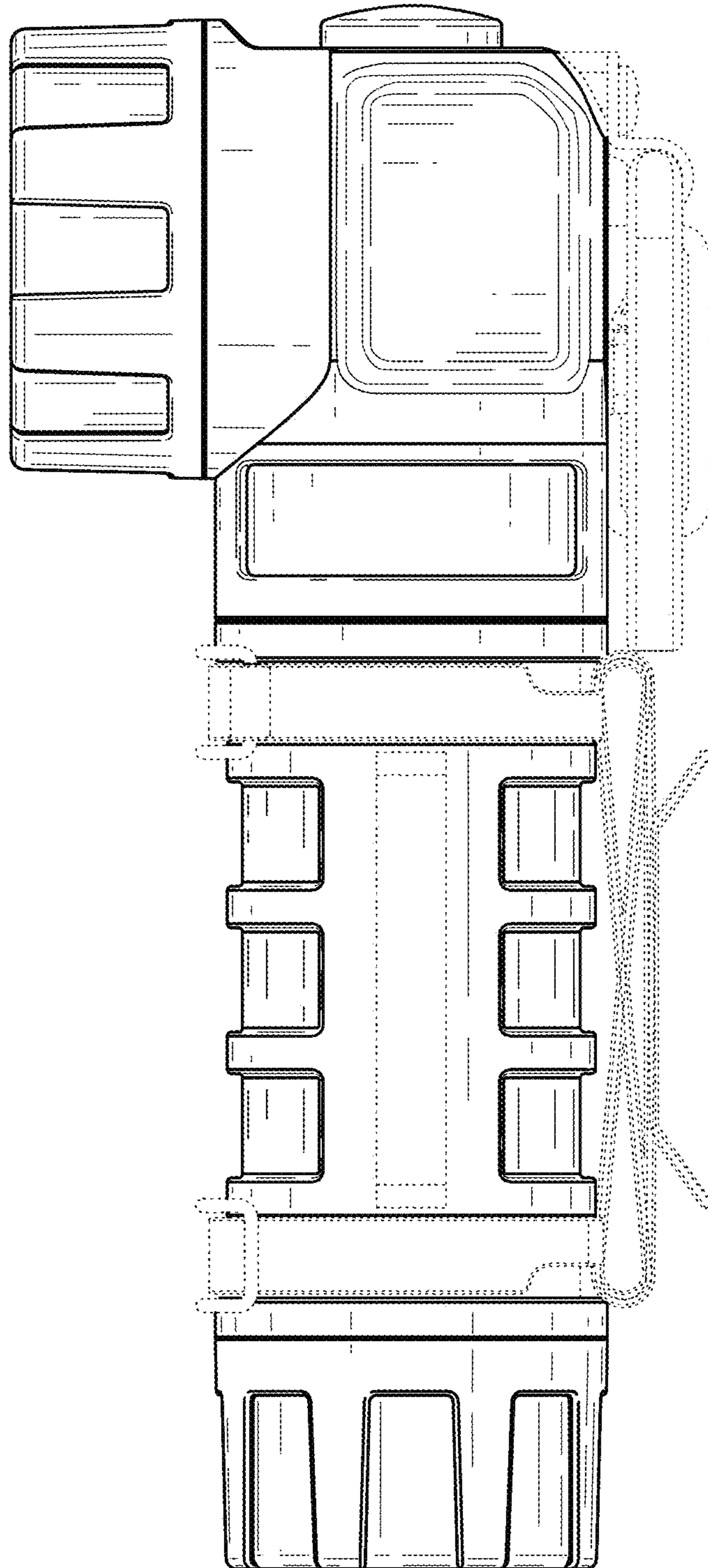


FIG. 4

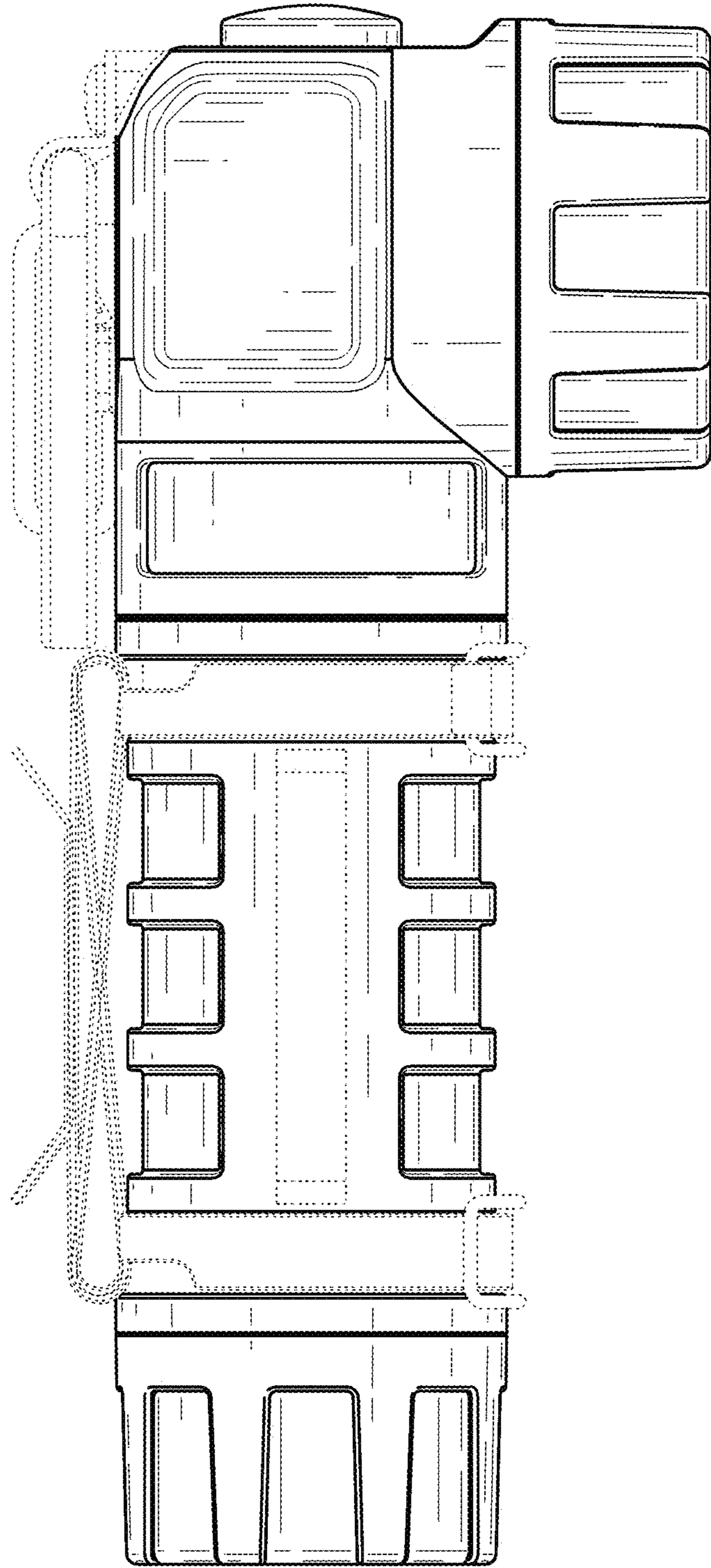


FIG. 5

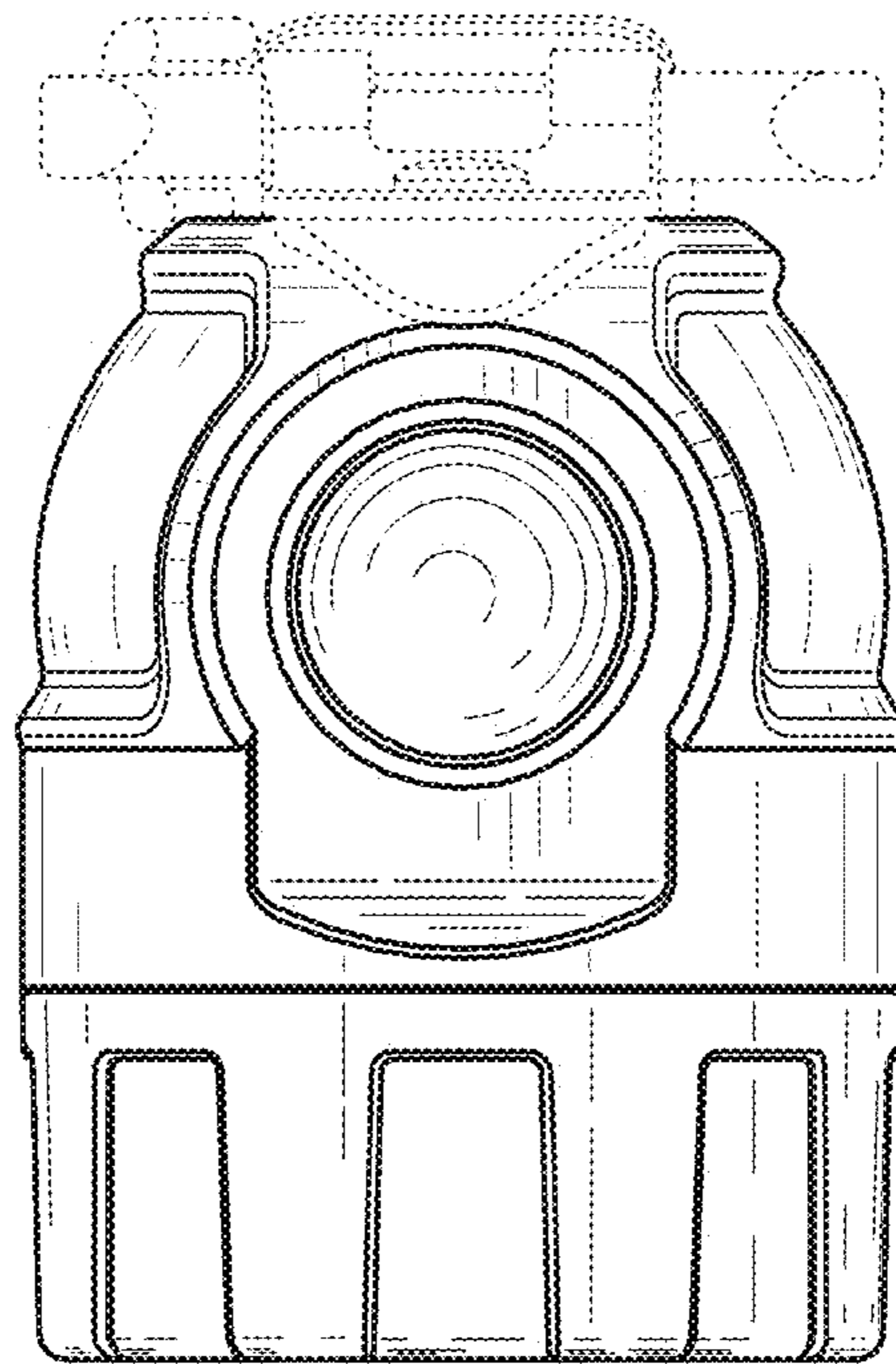


FIG. 6

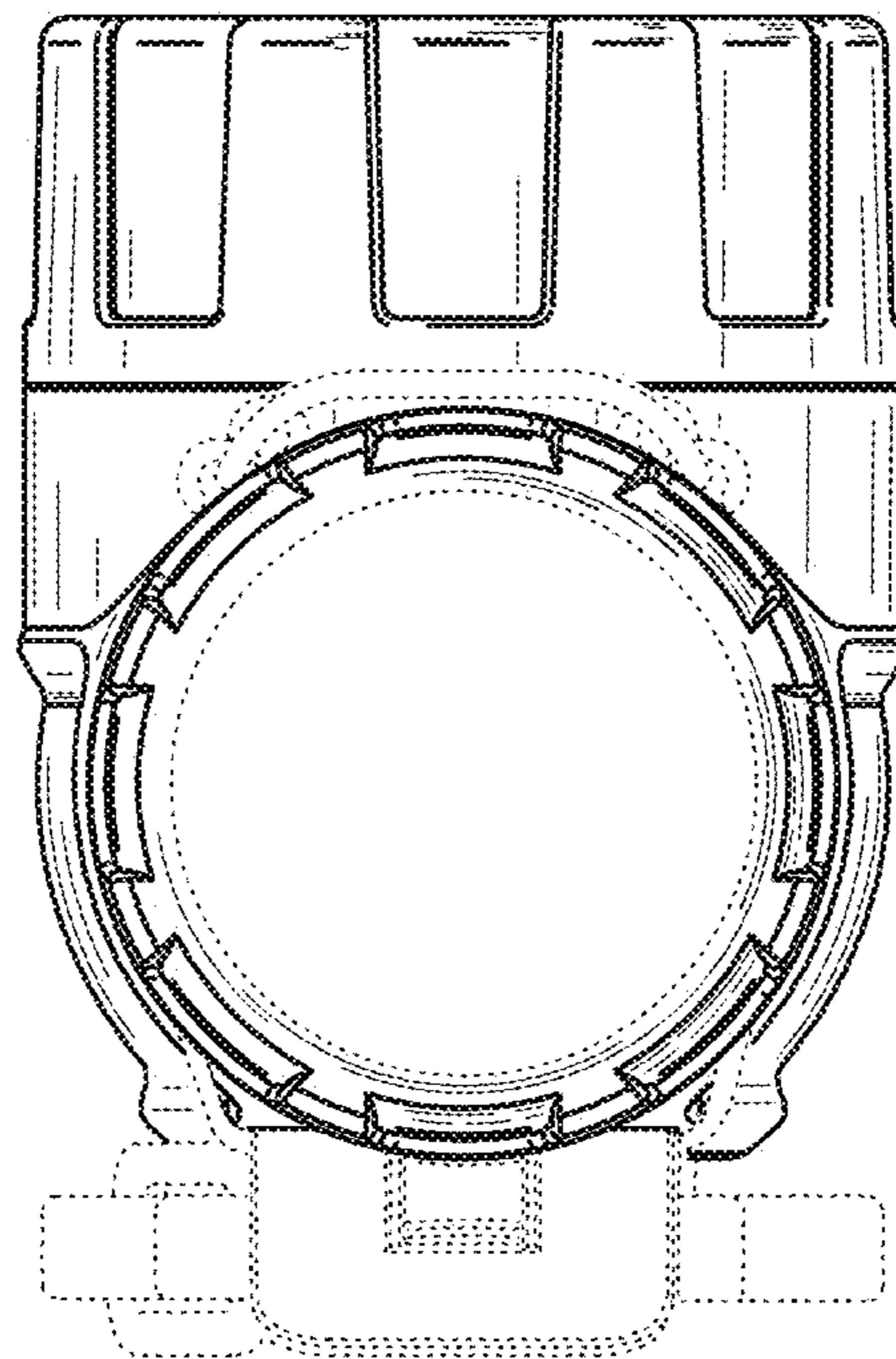


FIG. 7