



US00D936878S

(12) **United States Design Patent** (10) **Patent No.:** **US D936,878 S**
Tran et al. (45) **Date of Patent:** **** Nov. 23, 2021**

(54) **LIGHTING DEVICE**

D472,998 S 4/2003 Paris et al.
D488,140 S 4/2004 Hanselman et al.
D491,680 S 6/2004 Okuda et al.

(71) Applicant: **Energizer Brands, LLC**, St. Louis, MO (US)

(Continued)

(72) Inventors: **Thanh Tran**, Westlake, OH (US);
Chris Bourne, Painesville, OH (US);
Man Kit Chan, Tsuen Wan (HK)

FOREIGN PATENT DOCUMENTS

CN 303495739 * 12/2015
CN 303720910 * 6/2016

(Continued)

(73) Assignee: **Energizer Brands, LLC**, St. Louis, MO (US)

OTHER PUBLICATIONS

(**) Term: **15 Years**

“Miniature Oval LED Accent Light,” Nov. 1, 2016 (review),
superbrightleds.com, site visited Jul. 12, 2021, URL: <https://www.superbrightleds.com/moreinfo/led-light-modules/miniature-oval-led-accent-light-chrome/26/> (Year: 2016).*

(Continued)

(21) Appl. No.: **29/692,892**

(22) Filed: **May 29, 2019**

(51) **LOC (13) Cl.** **26-02**

(52) **U.S. Cl.**
USPC **D26/39**; D26/37

(58) **Field of Classification Search**
USPC D26/37-44, 46-52; D10/109.1, 111-115
CPC F21L 4/00; F21L 4/02; F21L 4/04; F21L 4/08; F21L 4/005; F21L 4/025; F21L 4/027; F21L 2005/00; F21L 7/00; F21L 11/00; F21L 13/00; F21L 2003/00; F21L 13/04; F21L 13/08; F21L 14/02; F21L 17/00; F21L 19/00; F21L 25/00; F21V 21/00; F21V 21/08; F21V 9/16; F21V 33/00; F21V 23/04

See application file for complete search history.

Primary Examiner — Eric L Goodman
Assistant Examiner — Sarah L Smith
(74) *Attorney, Agent, or Firm* — Alston & Bird LLP

(57) **CLAIM**

The ornamental design for a lighting device, as shown and described.

DESCRIPTION

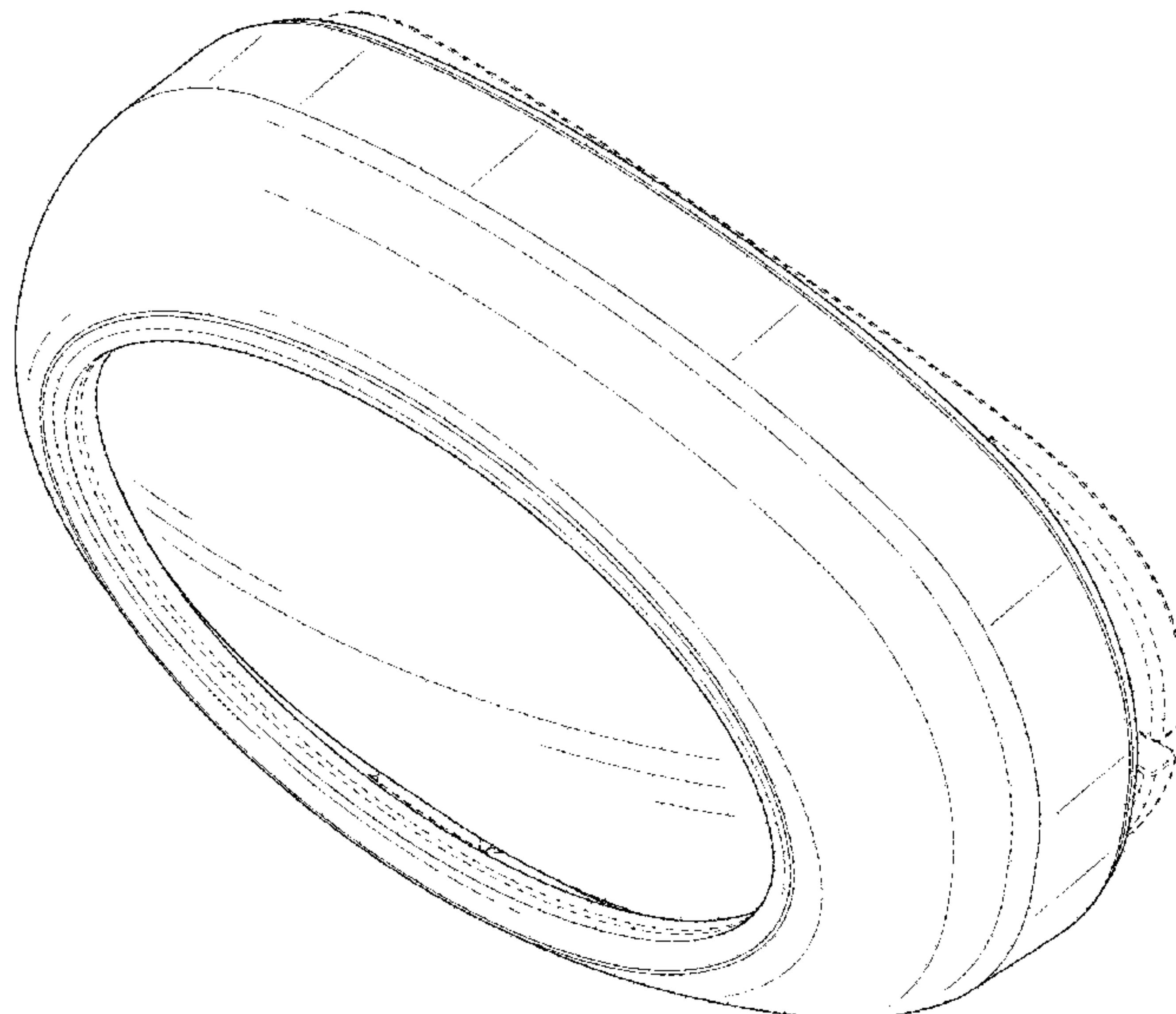
FIG. 1 is a top front perspective view of a lighting device showing a new design.
FIG. 2 is a bottom rear perspective view of the lighting device of FIG. 1.
FIG. 3 is a front view the lighting device of FIG. 1.
FIG. 4 is a back view of the lighting device of FIG. 1.
FIG. 5 is a left side view of the lighting device of FIG. 1.
FIG. 6 is a right side view of the lighting device of FIG. 1.
FIG. 7 is a top view of the lighting device of FIG. 1; and, FIG. 8 is a bottom view of the lighting device of FIG. 1.
The broken lines shown are provided for the purpose of illustrating portions of the lighting device and form no part of the claimed design.

(56) **References Cited**

U.S. PATENT DOCUMENTS

2,358,751 A * 9/1944 Waugh B62J 6/04
200/61.12
D361,396 S * 8/1995 Bruckler D26/39
D425,225 S * 5/2000 Holderfield D26/37
D426,330 S 6/2000 Cramer
D470,615 S 2/2003 Janice et al.

1 Claim, 8 Drawing Sheets



(56)

References Cited

U.S. PATENT DOCUMENTS

D492,052 S * 6/2004 Schnell D26/39
 D498,320 S * 11/2004 Leung D26/51
 D506,846 S 6/2005 Kang et al.
 D527,127 S 8/2006 Petzl
 D540,969 S * 4/2007 Ueda D26/37
 D547,475 S 7/2007 Xu
 D552,278 S 10/2007 Spartano et al.
 D554,782 S 11/2007 Shiu
 D554,783 S 11/2007 Shiu
 D560,009 S 1/2008 Spartano et al.
 D560,298 S 1/2008 Spartano et al.
 D566,310 S 4/2008 Alessio
 D568,510 S 5/2008 Shiu
 D573,736 S 7/2008 Poon
 D575,888 S 8/2008 Shiu
 D577,842 S 9/2008 Kumthampinij et al.
 D581,567 S 11/2008 Crawford et al.
 D583,971 S 12/2008 Castellucci et al.
 D590,531 S 4/2009 Ma
 D590,975 S 4/2009 Ma
 D592,782 S 5/2009 Hine et al.
 D596,770 S 7/2009 Hine et al.
 D615,227 S 5/2010 Hine et al.
 D620,160 S 7/2010 Kang et al.
 D625,862 S 10/2010 Fitch et al.
 D625,863 S 10/2010 Kingston et al.
 D631,587 S 1/2011 Hine et al.
 7,922,349 B2 4/2011 Hunnewell et al.
 D647,418 S * 10/2011 Miller D10/114.4
 D648,468 S 11/2011 Gibson
 D651,732 S * 1/2012 Hopkins D26/39
 D658,323 S 4/2012 Freschl
 D677,816 S 3/2013 Petzl
 D683,489 S 5/2013 Lee
 8,517,559 B1 8/2013 Freschi
 D690,856 S 10/2013 Shiu
 D696,803 S 12/2013 Kingston et al.
 D699,380 S * 2/2014 Weaver D26/39
 D702,863 S 4/2014 Kotsis
 D703,355 S 4/2014 Kotsis
 D703,850 S * 4/2014 Alvarado D26/39
 D707,867 S 6/2014 Kotsis et al.
 D711,028 S 8/2014 Pritchett
 D728,402 S * 5/2015 Case D10/114.1
 D736,977 S 8/2015 Petzl
 D736,978 S 8/2015 Petzl
 D736,979 S 8/2015 Petzl
 D736,980 S * 8/2015 Petzl D26/39
 D742,051 S 10/2015 Abernethy et al.
 D743,597 S 11/2015 Abernethy et al.
 D744,134 S 11/2015 Hine et al.
 D747,021 S * 1/2016 Hunnewell D26/39
 D751,743 S 3/2016 Watson et al.
 D751,744 S 3/2016 Watson et al.
 D752,257 S 3/2016 Hine et al.
 D752,258 S 3/2016 Hine et al.
 D752,259 S 3/2016 Hine et al.
 D752,260 S 3/2016 Hine et al.
 D752,261 S 3/2016 Ma
 D752,790 S 3/2016 Hine et al.
 D753,327 S * 4/2016 Miki D26/37
 D757,317 S * 5/2016 Henry D26/39
 D759,867 S * 6/2016 Grandadam D26/37

D792,995 S * 7/2017 Colasse D26/38
 D806,294 S 12/2017 Nguyen et al.
 D812,793 S 3/2018 Huang
 D813,432 S 3/2018 Koshiba
 D814,083 S 3/2018 Green
 D814,676 S 4/2018 Windom et al.
 D824,059 S 7/2018 Inskeep
 D828,597 S 9/2018 Petzl
 D828,598 S 9/2018 Petzl
 D828,599 S 9/2018 Petzl
 D830,601 S 10/2018 Petzl
 D830,602 S 10/2018 Melchior
 D836,810 S 12/2018 DeBrunner
 D841,850 S * 2/2019 Williams D26/39
 D843,036 S 3/2019 Li
 D843,622 S 3/2019 Karl, IV et al.
 D844,869 S 4/2019 Green
 D845,526 S * 4/2019 Windom F21L 4/08
 D26/39
 D846,780 S * 4/2019 Reiser A42B 1/244
 D26/37
 D851,307 S 6/2019 Sharrah et al.
 D857,958 S * 8/2019 Willows F21V 21/30
 D26/38
 D861,212 S 9/2019 Windom et al.
 D861,213 S 9/2019 Petzl
 D861,940 S 10/2019 Kunzendorf
 D872,330 S 1/2020 Smith
 D872,331 S 1/2020 Smith
 D872,918 S * 1/2020 Smith B62J 6/04
 D26/39
 D876,695 S 2/2020 Hine
 2005/0117327 A1 * 6/2005 Gupta F21V 21/30
 362/103
 2008/0025036 A1 1/2008 Takada et al.
 2010/0177503 A1 * 7/2010 Lau F21L 4/08
 362/105
 2013/0235602 A1 * 9/2013 Chen B62J 6/04
 362/473
 2020/0208818 A1 * 7/2020 Le Bourhis A42B 1/244

FOREIGN PATENT DOCUMENTS

CN 304579661 * 4/2018
 KR 300441782.0000 * 3/2007

OTHER PUBLICATIONS

“RV Porch Utility Light,” Jul. 12, 2016 (review), etrailer.com, site visited Jul. 12, 2021, URL: [https://www.youtube.com/watch?v=1JblKvpX-oM](https://www.etrailer.com/RV-Lighting/Optronics/RVPL5A.html?feed=npn&utm_source=google&utm_medium=cpc&utm_campaign=Google%20%7C%20Shop%20-%20RV%20Lighting&adgroupid=82299432610&campaignid=631934050&creative=407236004151&device=c&devicemodel=&feeditemid=&keyword=&loc_interest_ms=&loc_physical_ms=9008148&(Year: 2016).”

 “Energizer HDL2BU1—Torch: LED headtorch—UNBOXING,” Jan. 29, 2019, youtube.com, site visited Jul. 12, 2021, URL: <a href=) (Year: 2019).
 “LED Puck Light,” Mar. 16, 2019, amazon.com, site visited Jul. 12, 2021, URL: <https://www.amazon.com/Battery-Operated-Control-Wireless-Lighting/dp/B07PR4LQNW> (Year: 2019).”

* cited by examiner

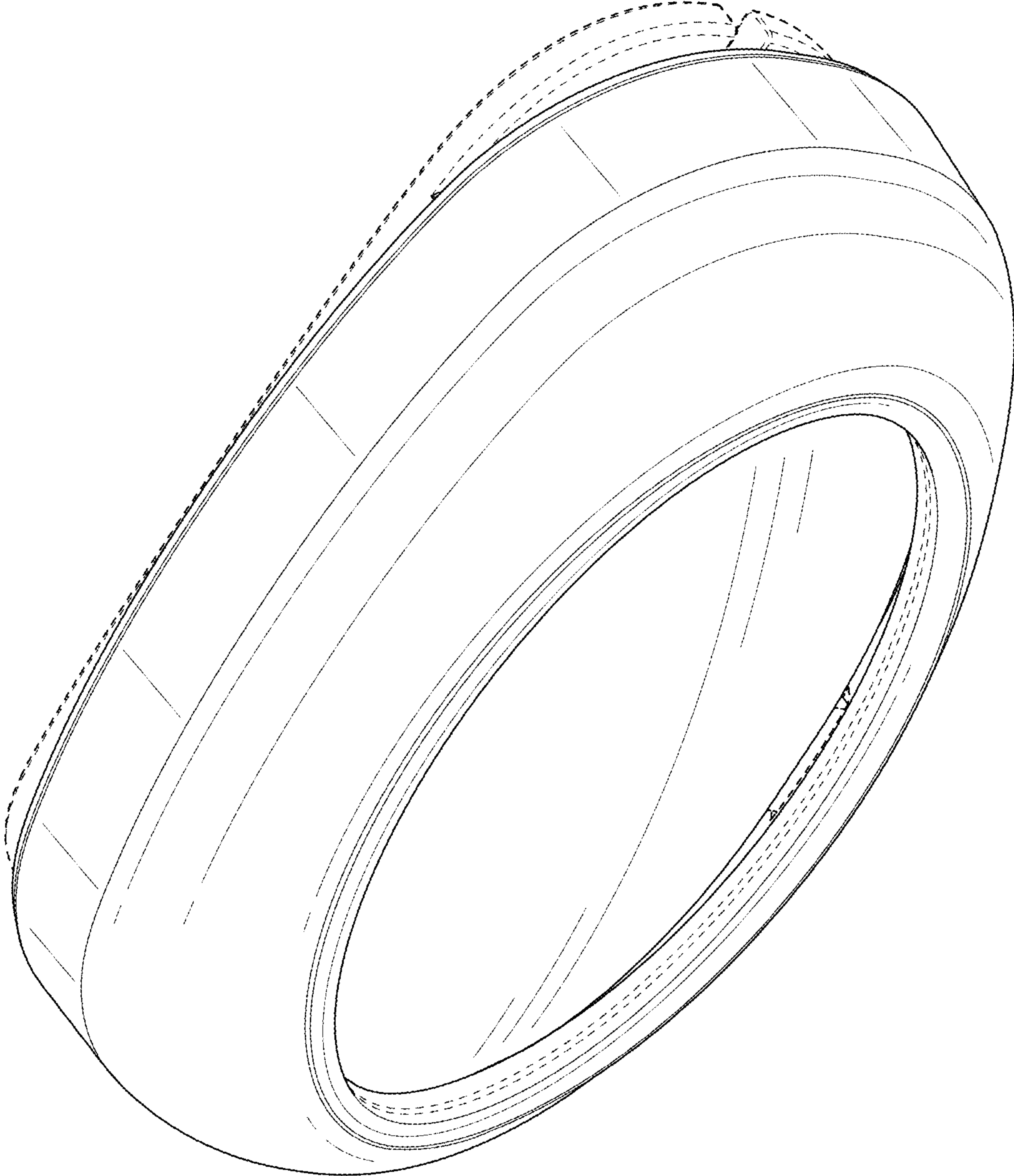


FIG. 1

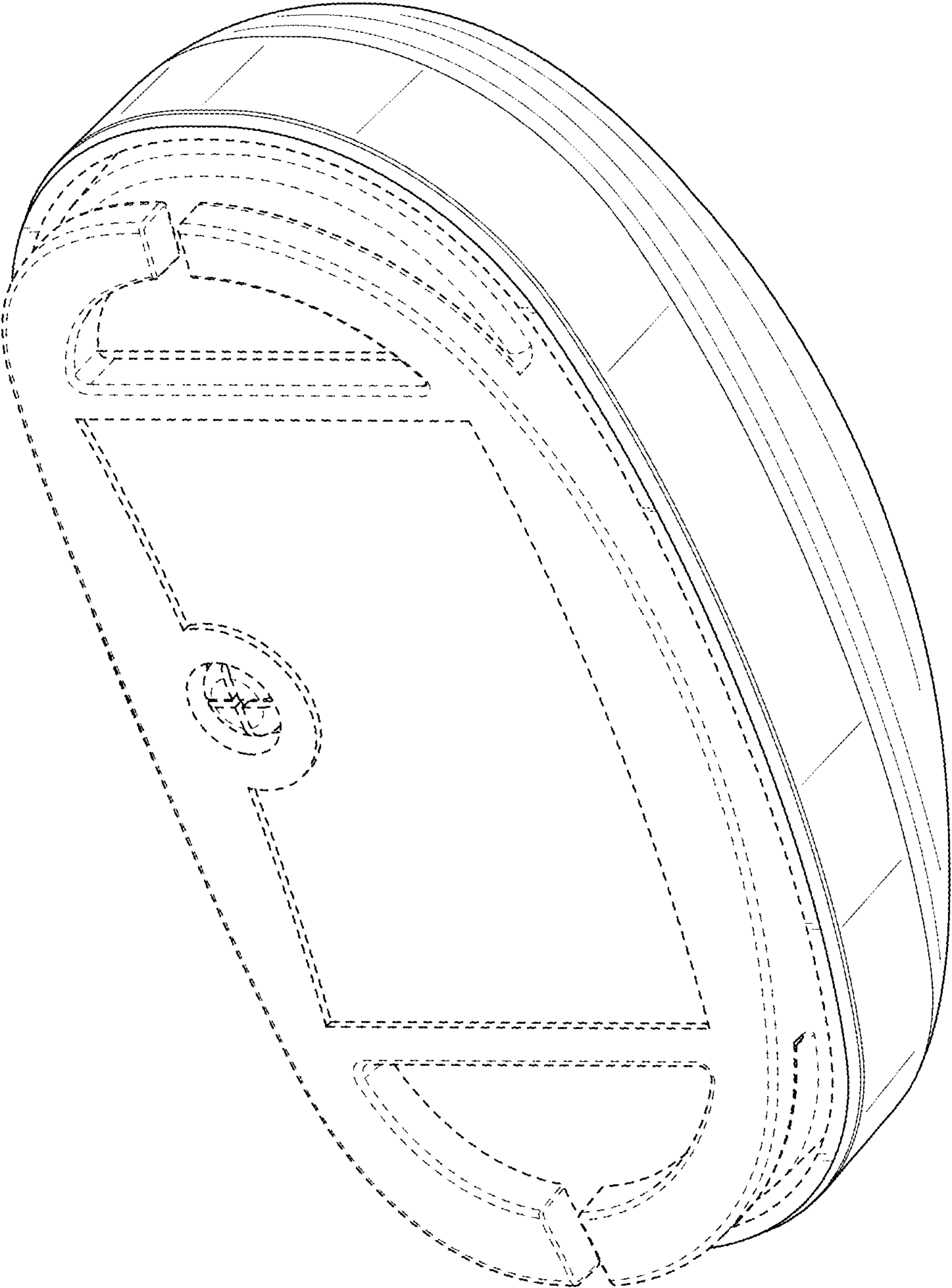


FIG. 2

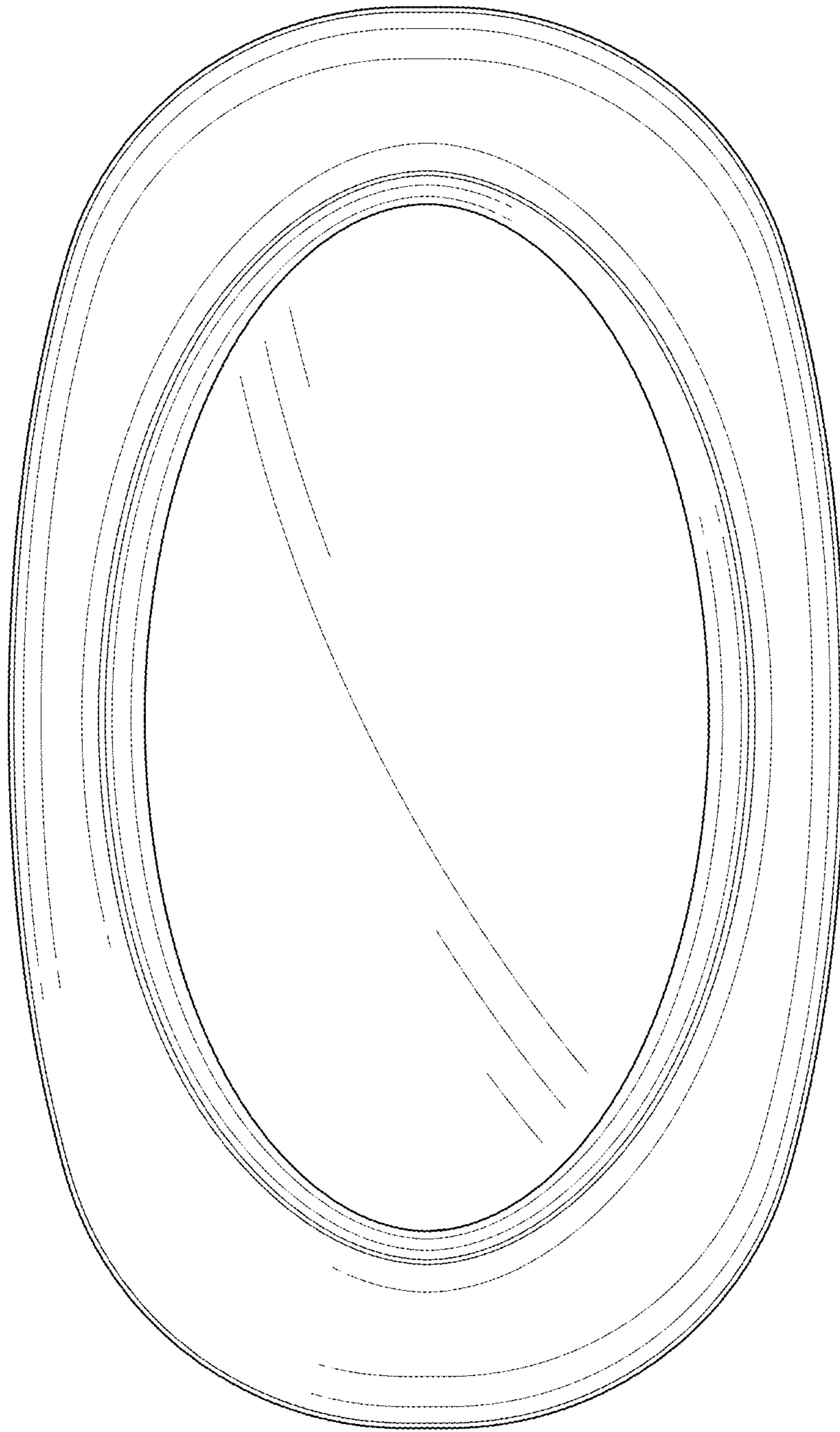


FIG. 3

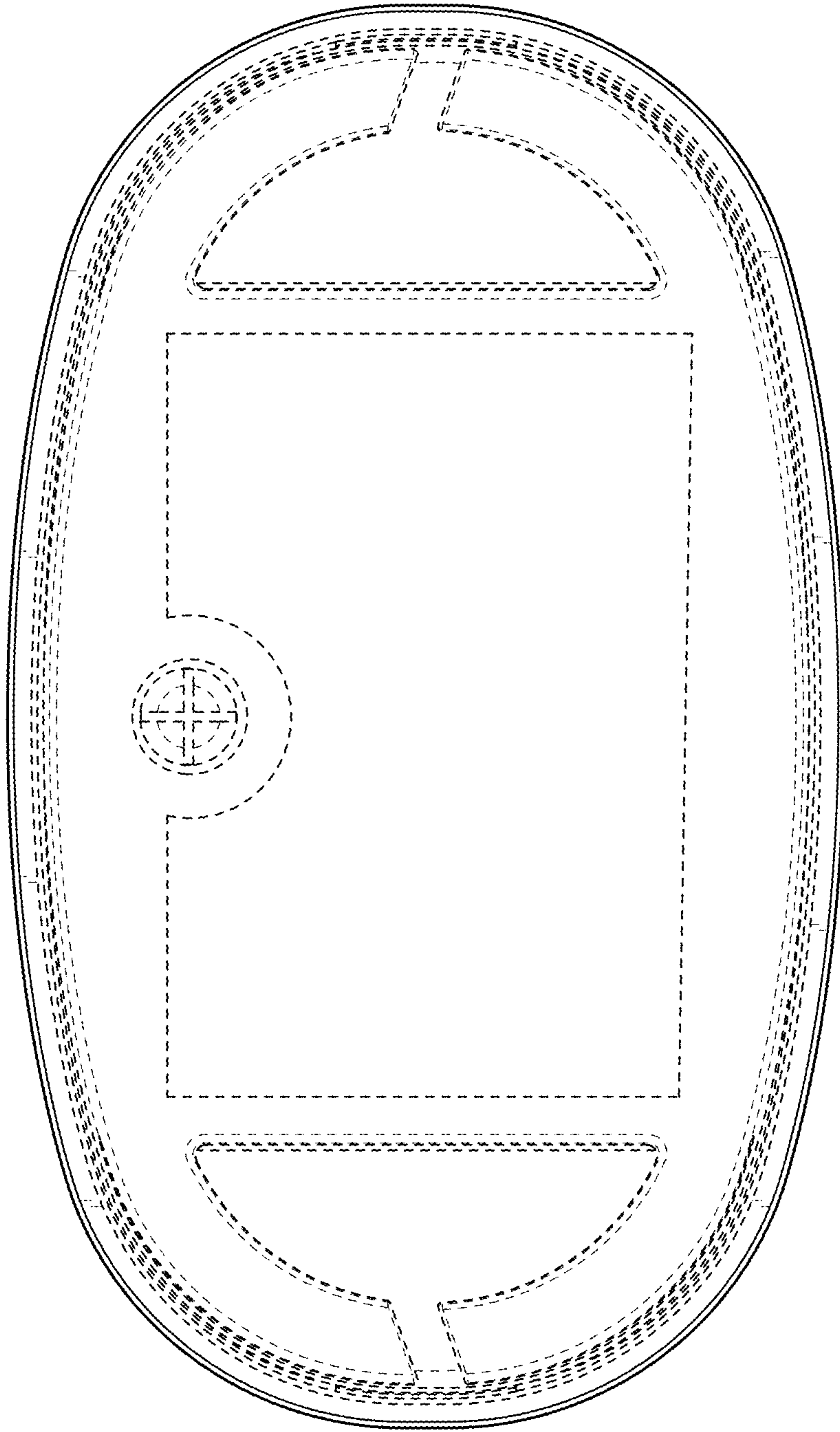


FIG. 4

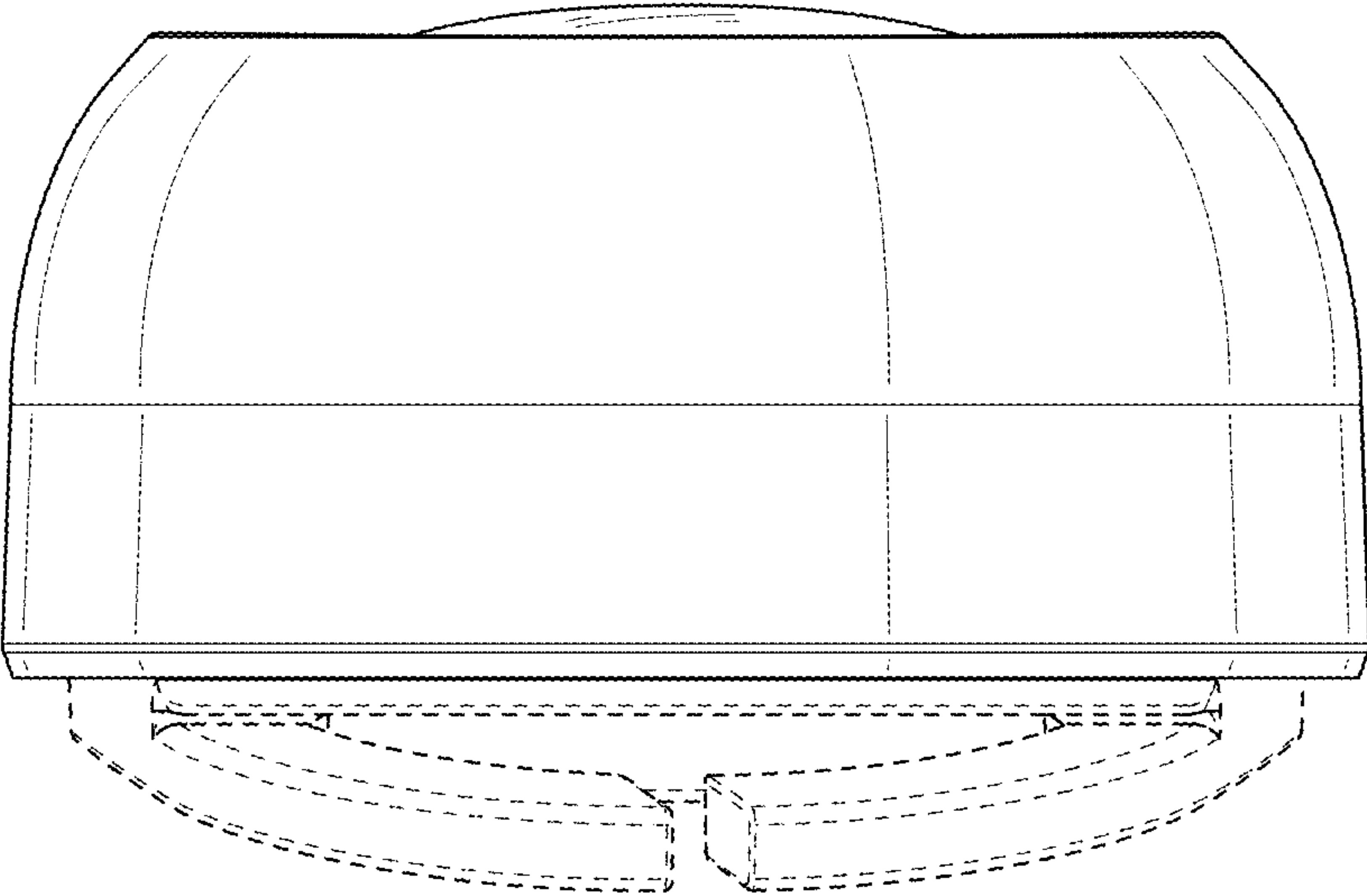


FIG. 5

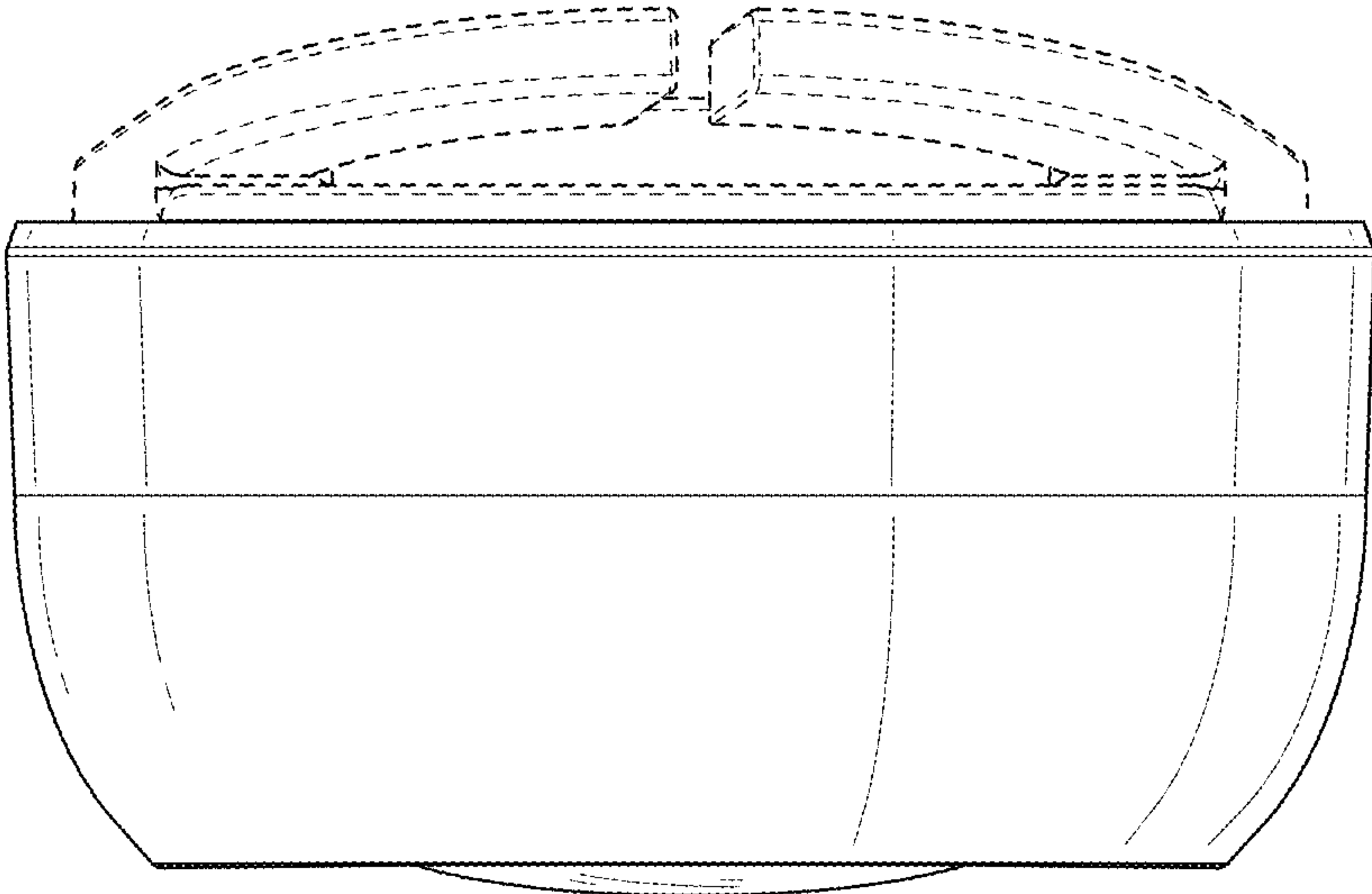


FIG. 6

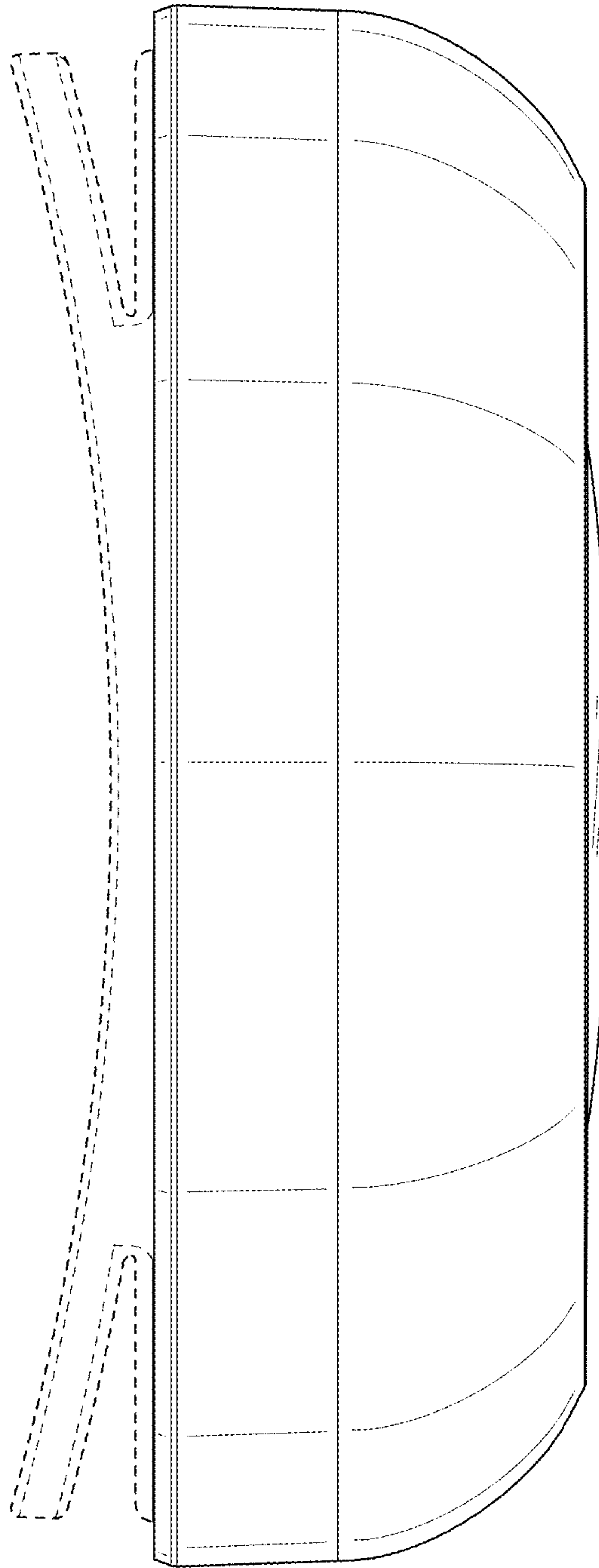


FIG. 7

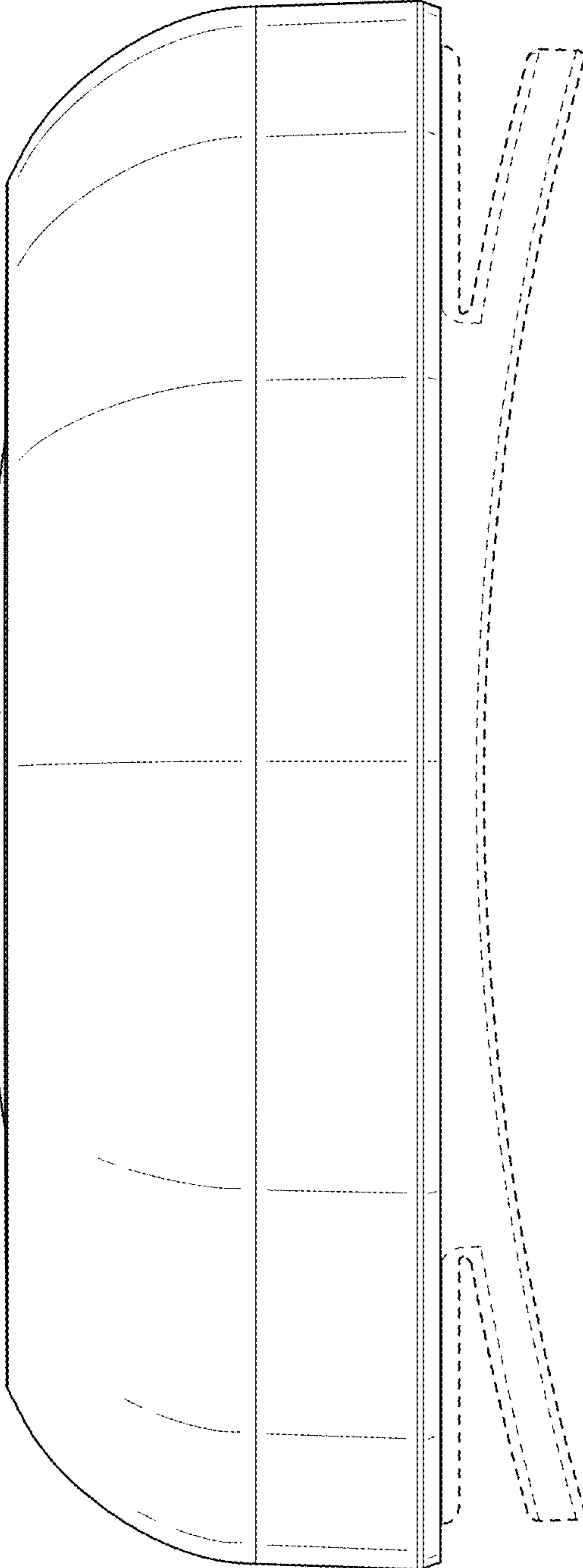


FIG. 8