



US00D936876S

(12) **United States Design Patent**
Sibitzky

(10) **Patent No.:** **US D936,876 S**

(45) **Date of Patent:** **** Nov. 23, 2021**

(54) **LIGHT FIXTURE**

(71) Applicant: **JST Performance, LLC**, Gilbert, AZ
(US)

(72) Inventor: **Pete D. Sibitzky**, Lakeside, CA (US)

(73) Assignee: **JST Performance, LLC**, Gilbert, AZ
(US)

(**) Term: **15 Years**

(21) Appl. No.: **29/690,365**

(22) Filed: **May 7, 2019**

(51) **LOC (13) Cl.** **26-06**

(52) **U.S. Cl.**
USPC **D26/35**

(58) **Field of Classification Search**

USPC D26/28-36, 63, 139

CPC F21S 48/00; F21S 48/10; F21S 48/115;

F21S 48/225; F21S 48/1233; F21S

48/1266; F21S 48/1388; F21S 48/2268;

F21V 5/00; F21V 21/04; F21V 29/004;

B60Q 9/13; B60Q 9/135; B60Q 9/1375

See application file for complete search history.

(56) **References Cited**

U.S. PATENT DOCUMENTS

D589,636 S * 3/2009 Pinette D26/63

D739,064 S * 9/2015 Heiner D26/63

D815,769 S * 4/2018 Gong D26/63

D845,530 S * 4/2019 Yu D26/63

D858,841 S * 9/2019 Deng D26/63

* cited by examiner

Primary Examiner — Marcus A Jackson

(74) *Attorney, Agent, or Firm* — Calfee, Halter &
Griswold LLP

(57) **CLAIM**

The ornamental design for a light fixture, as shown and described.

DESCRIPTION

FIG. 1 is a front, top, right, perspective view of a light fixture;

FIG. 2 is a front, top, left, perspective view thereof;

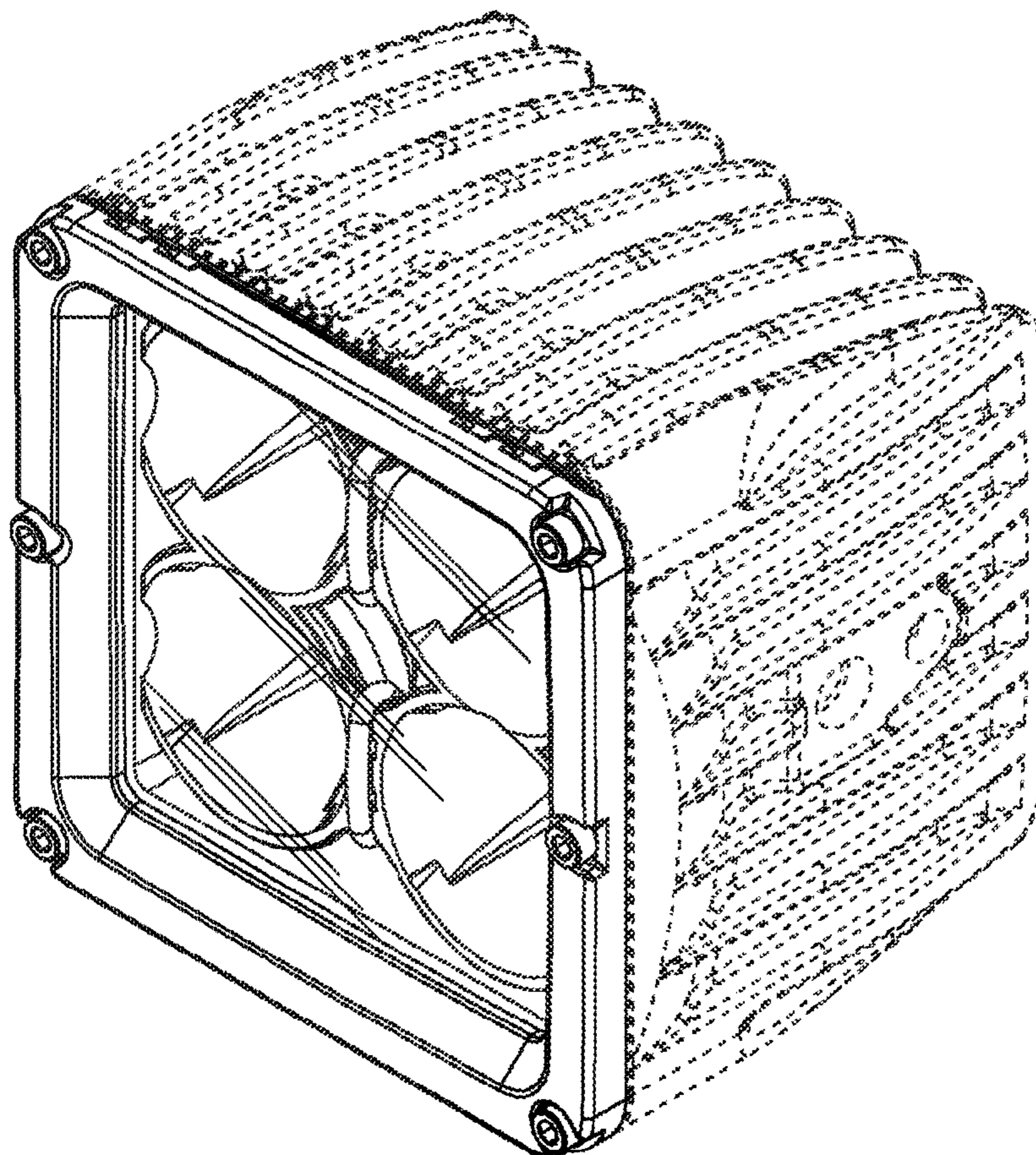
FIG. 3 is a front, bottom, right, perspective view thereof;

FIG. 4 is a front, bottom, left, perspective view thereof; and,

FIG. 5 is a front side view thereof.

The broken lines in the drawings illustrate portions of the light fixture which form no part of the claimed design.

1 Claim, 5 Drawing Sheets



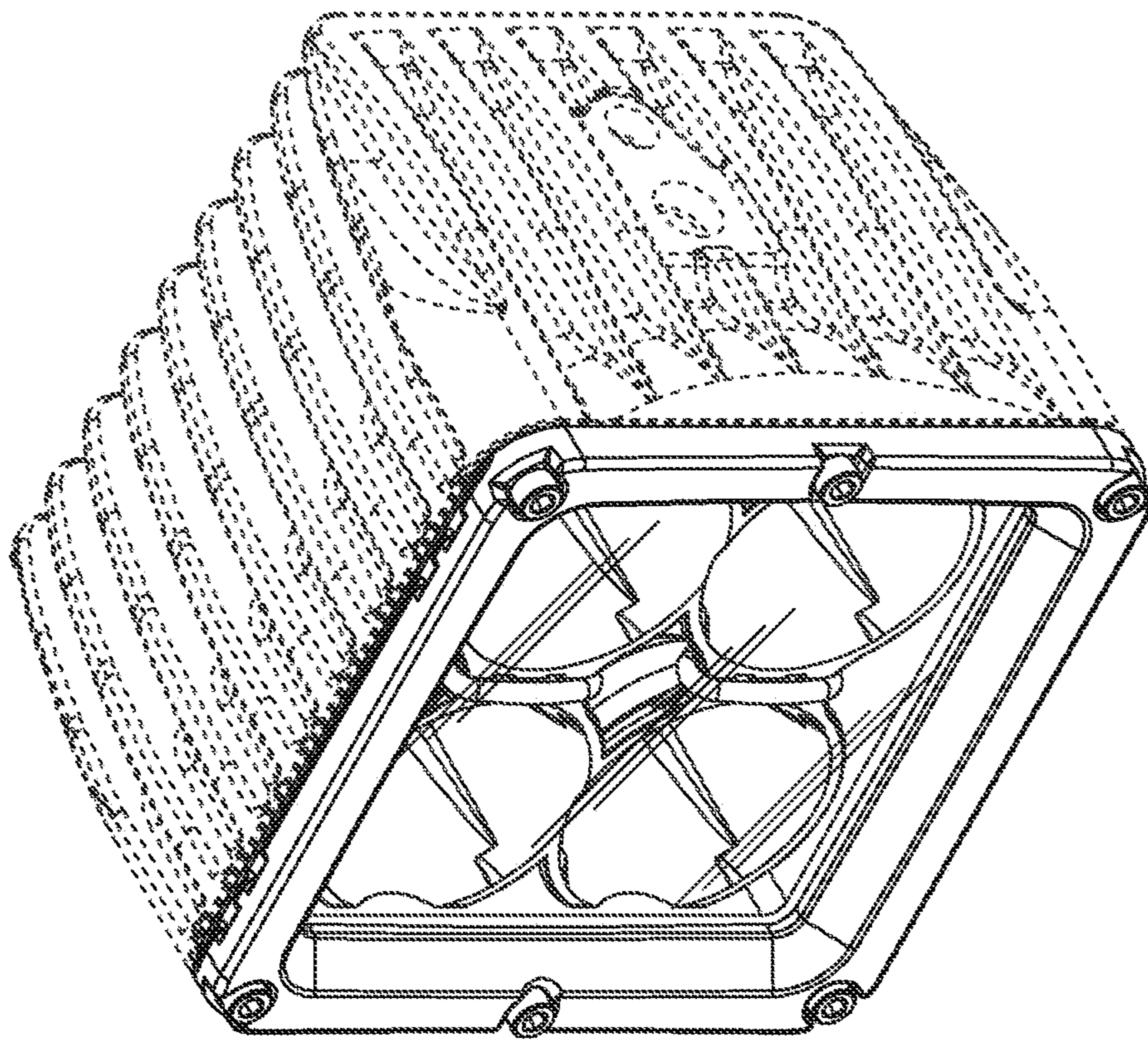


FIG. 1

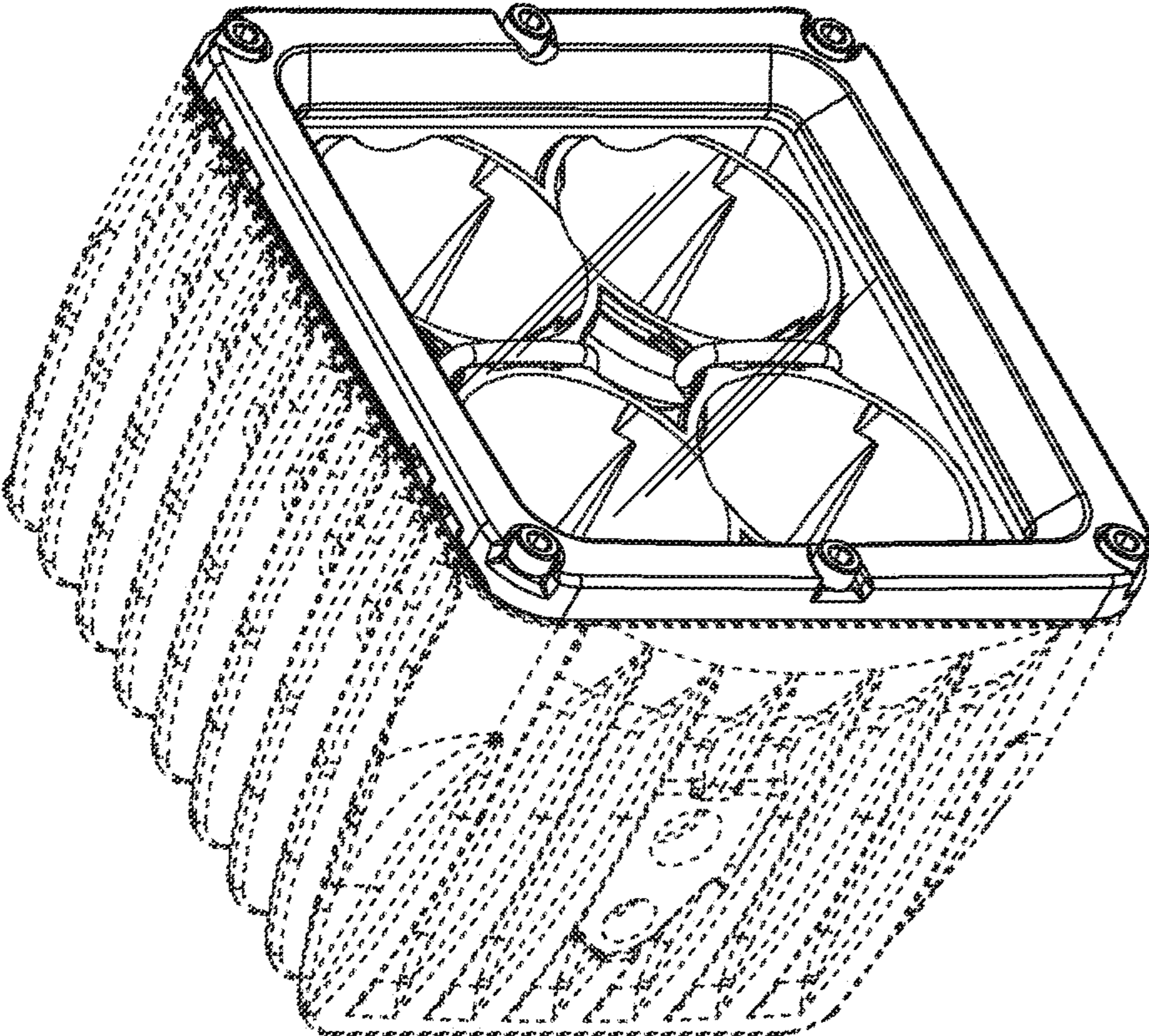


FIG. 2

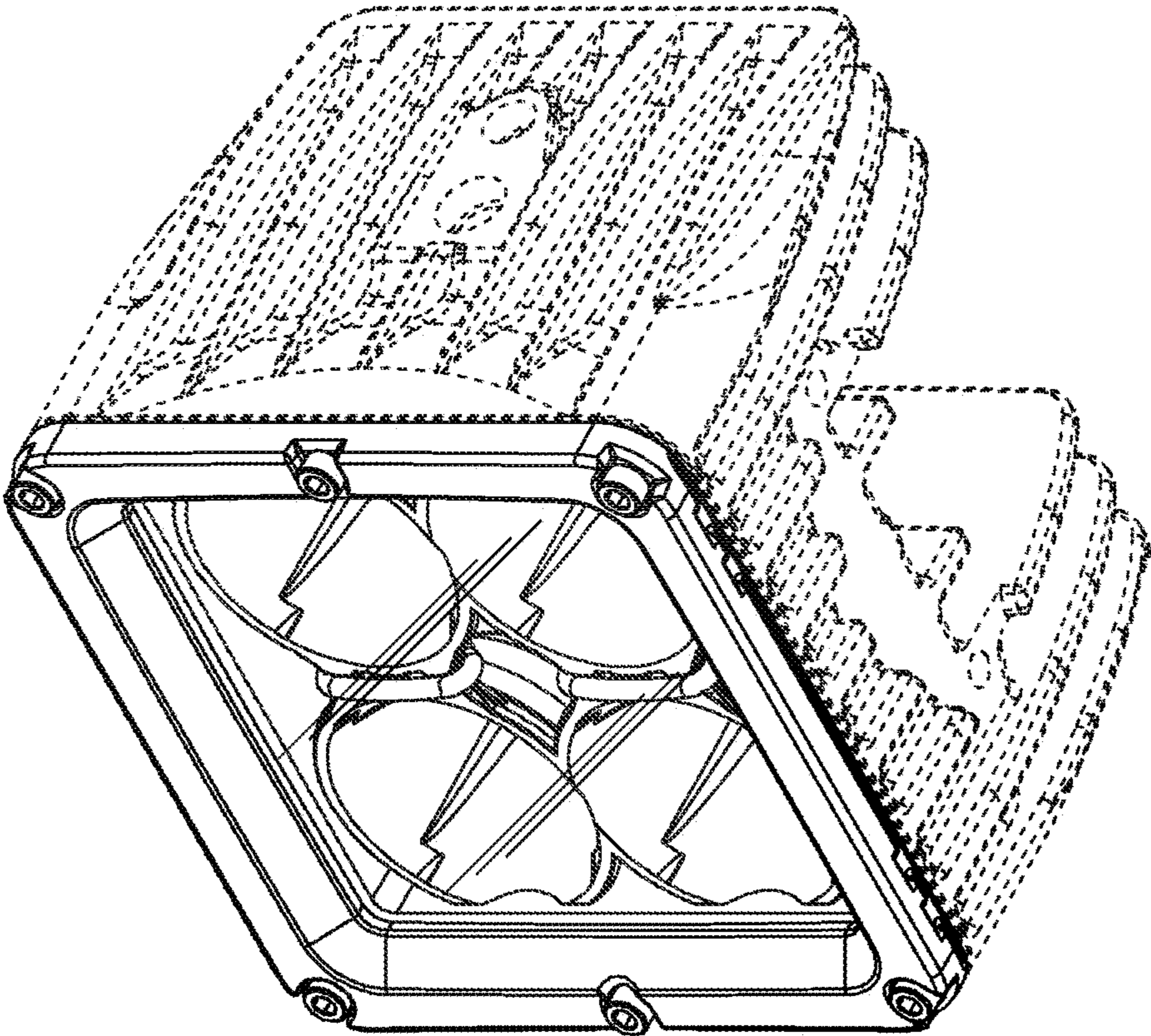


FIG. 3

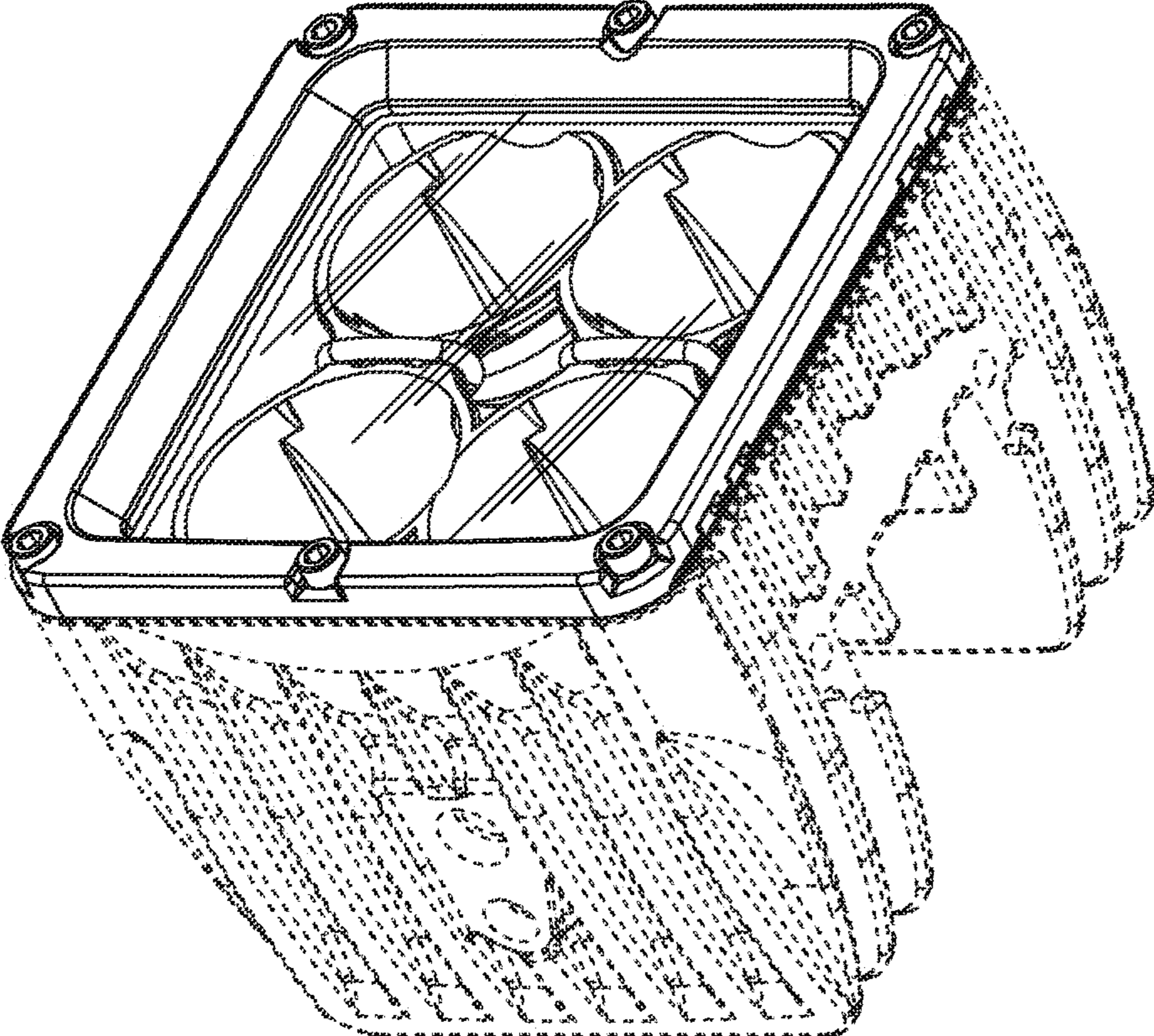


FIG. 4

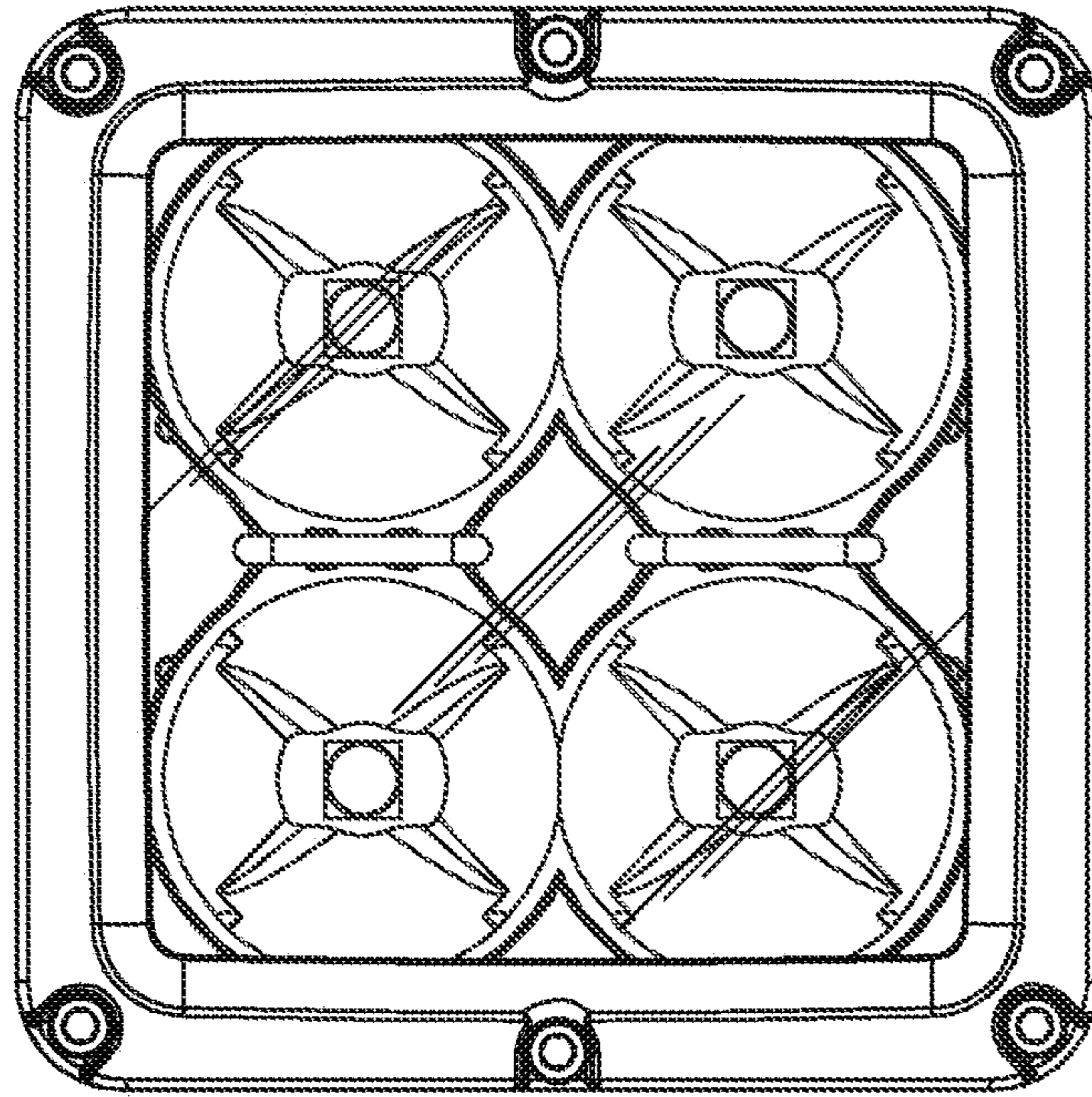


FIG. 5