



US00D936868S

(12) **United States Design Patent** (10) **Patent No.:** **US D936,868 S**  
**Wraith et al.** (45) **Date of Patent:** **\*\* Nov. 23, 2021**

(54) **VEHICLE CENTER HIGH MOUNT BRAKE LIGHT**

D825,797 S \* 8/2018 Suwa ..... D26/28  
D869,019 S \* 12/2019 Benoit ..... D26/28  
D882,139 S \* 4/2020 Benoit ..... D26/60  
D897,568 S \* 9/2020 Tomasson ..... D26/28

(71) Applicant: **Ford Global Technologies, LLC,**  
Dearborn, MI (US)

**OTHER PUBLICATIONS**

(72) Inventors: **Paul Wraith,** West Bloomfield, MI (US); **Martin B. Coons,** Detroit, MI (US); **Anthony Meyer,** Royal Oak, MI (US); **Joseph F. Denatale, Jr.,** Royal Oak, MI (US)

Unknown, My observations from seeing see the actual 4-door Bronco raw, unpainted sheet metal shell, Feb. 15, 2020 <https://www.bronco6g.com/forum/threads/my-observations-from-seeing-see-the-actual-4-door-bronco-raw-unpainted-sheet-metal-shell.1048/>.

(73) Assignee: **Ford Global Technologies, LLC,**  
Dearborn, MI (US)

Unknown, Here's the 2021 Bronco's Tail Light Shape Illuminated, Feb. 19, 2020 <https://www.bronco6g.com/forum/threads/heres-the-2021-broncos-tail-light-shape-illuminated.1071/>.

(\*\*) Term: **15 Years**

Unknown, 2021 Bronco Interior Spied Undisguised!!, Feb. 25, 2020 <https://www.bronco6g.com/forum/threads/2021-bronco-interior-spied-undisguised.1096/>.

(21) Appl. No.: **29/726,371**

\* cited by examiner

(22) Filed: **Mar. 3, 2020**

*Primary Examiner* — Angela J Lee

(51) **LOC (13) Cl.** ..... **26-06**

(52) **U.S. Cl.**  
USPC ..... **D26/28**

(57) **CLAIM**

(58) **Field of Classification Search**  
USPC ..... D26/28, 29, 30, 31, 32, 33, 34, 35, 36,  
D26/44

The ornamental design for a vehicle center high mount brake light, as shown and described.

CPC ..... F21S 48/00; F21S 48/10; F21S 48/115;  
F21S 48/225; F21S 48/1233; F21S 48/1266; F21S 48/1388; F21S 48/2268;  
F21V 21/04; F21W 2103/35; F21W 3/40;  
F21W 2102/17; F21W 2102/30; F21W 2103/00; F21W 2103/55; F21W 2104/00;  
F21W 2107/17; F21W 2107/13

**DESCRIPTION**

See application file for complete search history.

FIG. 1 is a front elevational view of a vehicle center high mount brake light, showing our new design;  
FIG. 2 is a rear elevational view thereof;  
FIG. 3 is a left side elevational view thereof;  
FIG. 4 is a right side elevational view thereof;  
FIG. 5 is a top plan view thereof;  
FIG. 6 is a bottom plan view thereof;  
FIG. 7 is a top, front and right side perspective view thereof;  
and,  
FIG. 8 is a bottom, front and right side perspective view thereof.

(56) **References Cited**

**U.S. PATENT DOCUMENTS**

D710,043 S \* 7/2014 Liao ..... D26/28  
D745,728 S \* 12/2015 Ruthling ..... D26/28  
D763,483 S \* 8/2016 Luke ..... D26/28  
D776,842 S \* 1/2017 Liao ..... D26/28  
D787,098 S \* 5/2017 Landcastle ..... D26/28  
D825,794 S \* 8/2018 Zheng ..... D26/28

The broken lines and the lightened surface shading illustrate portions of the vehicle center high mount brake light that form no part of the claimed design.

**1 Claim, 8 Drawing Sheets**

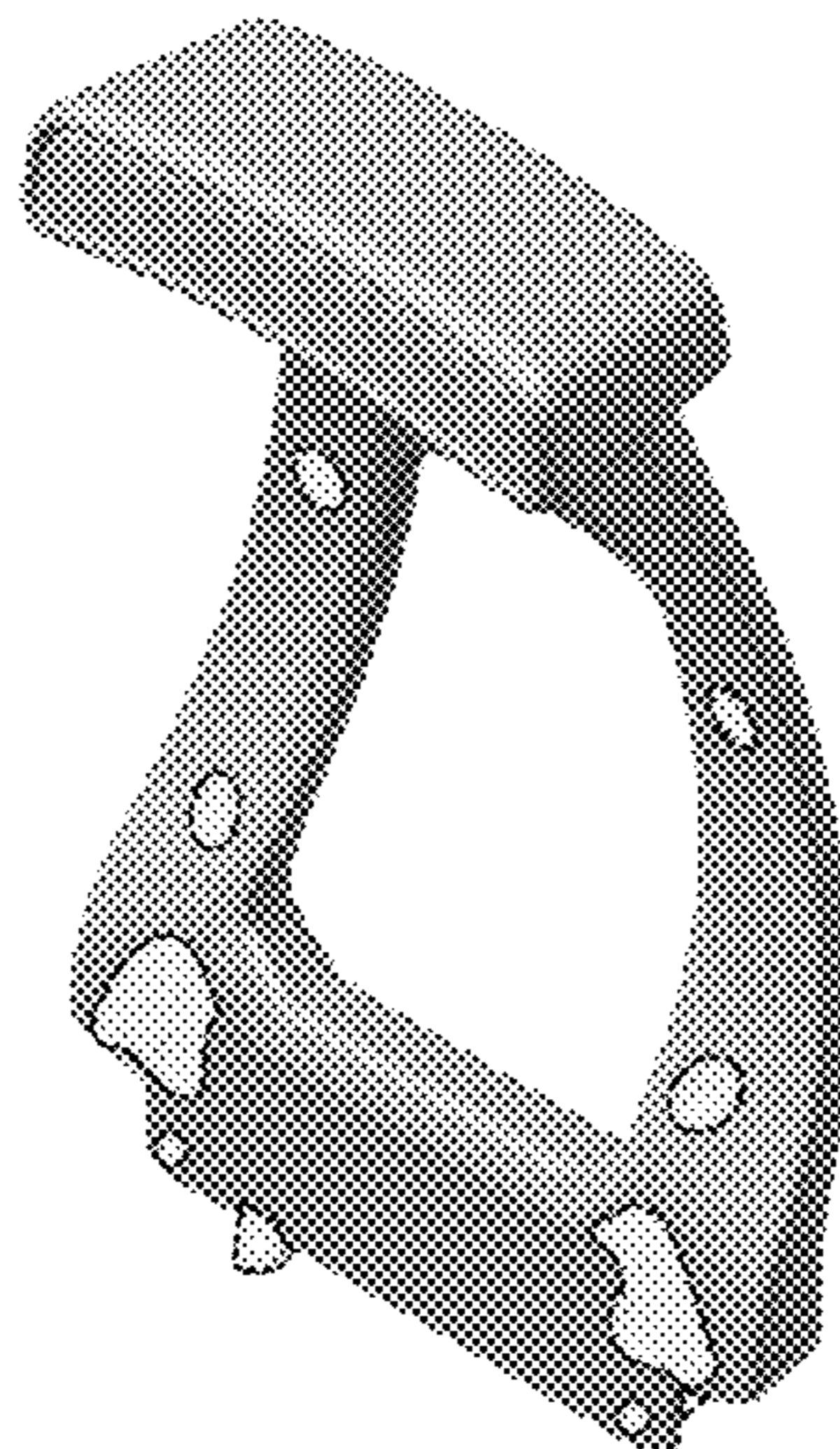


Fig. 1

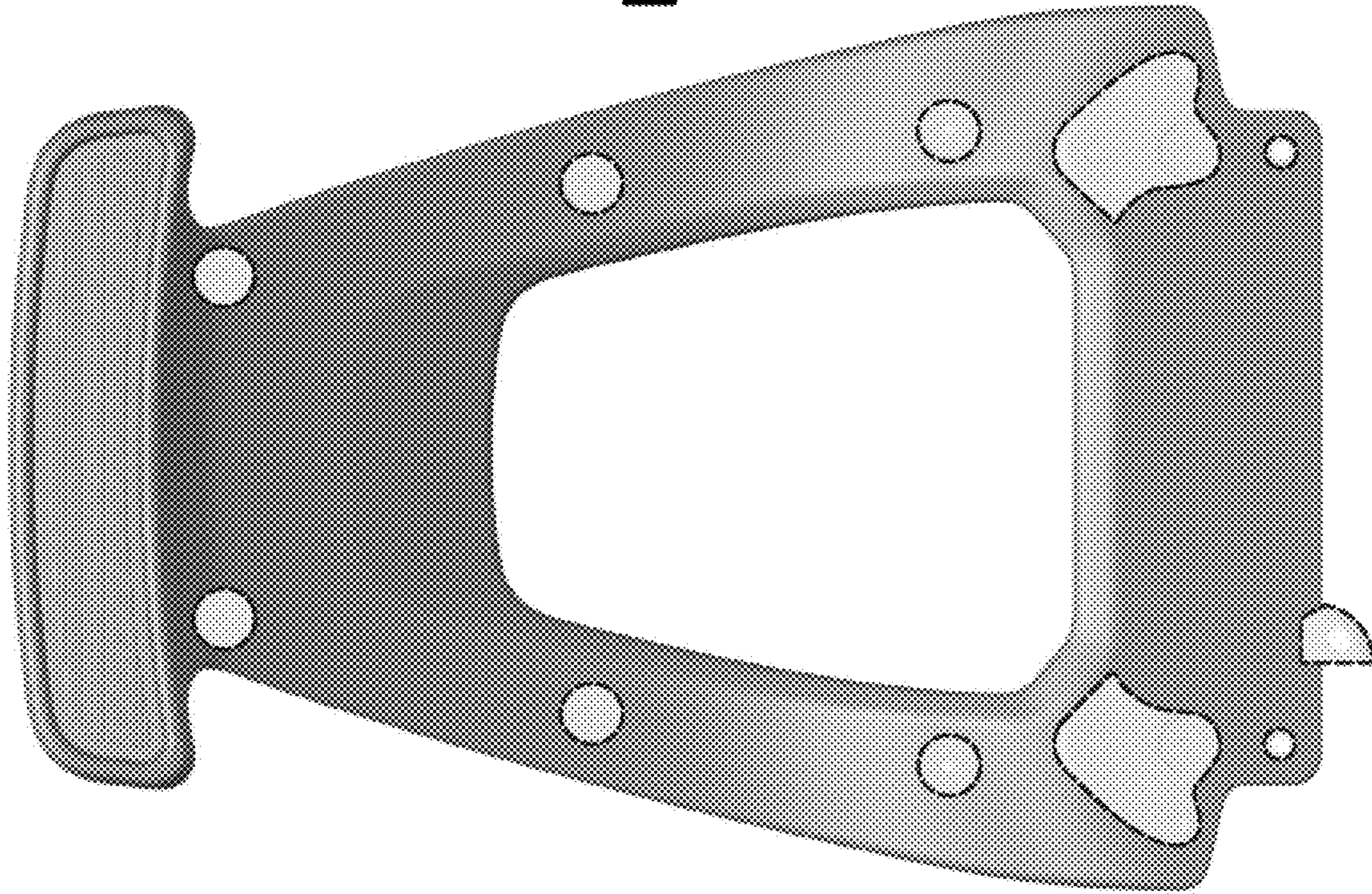
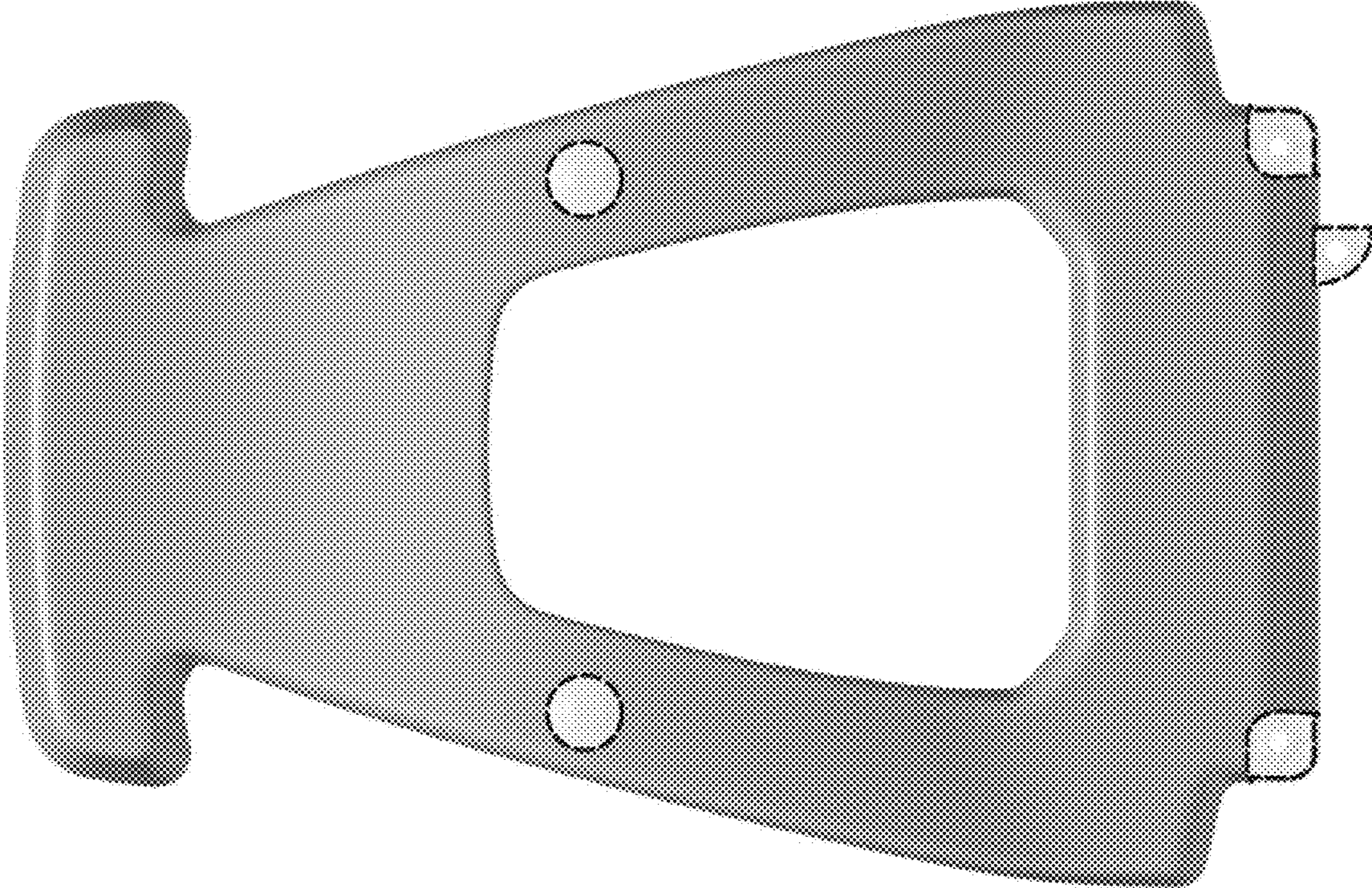


Fig. 2



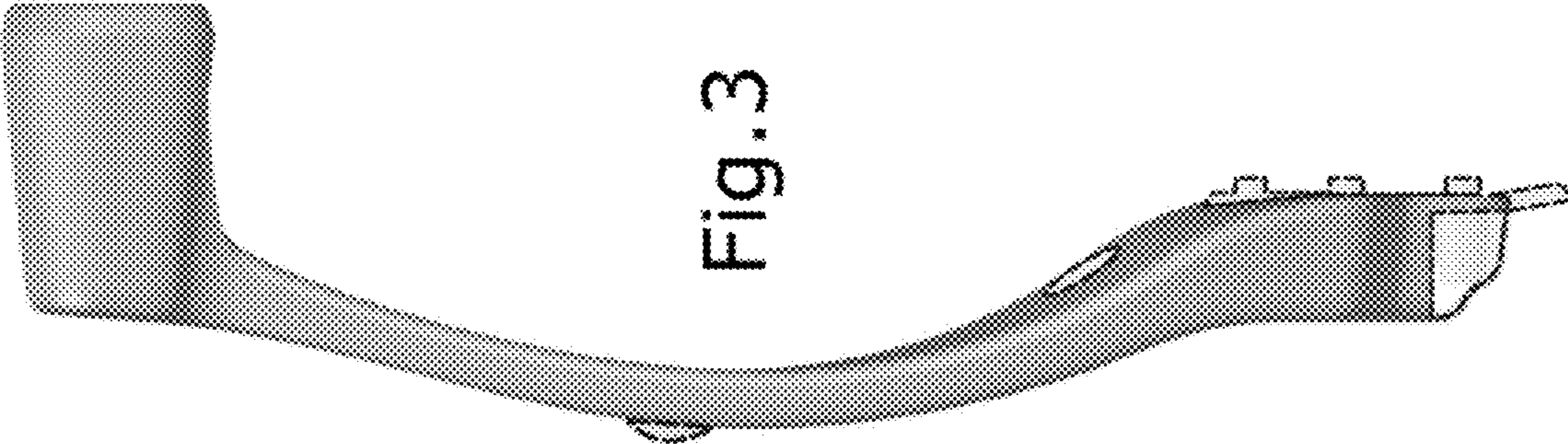


Fig. 3

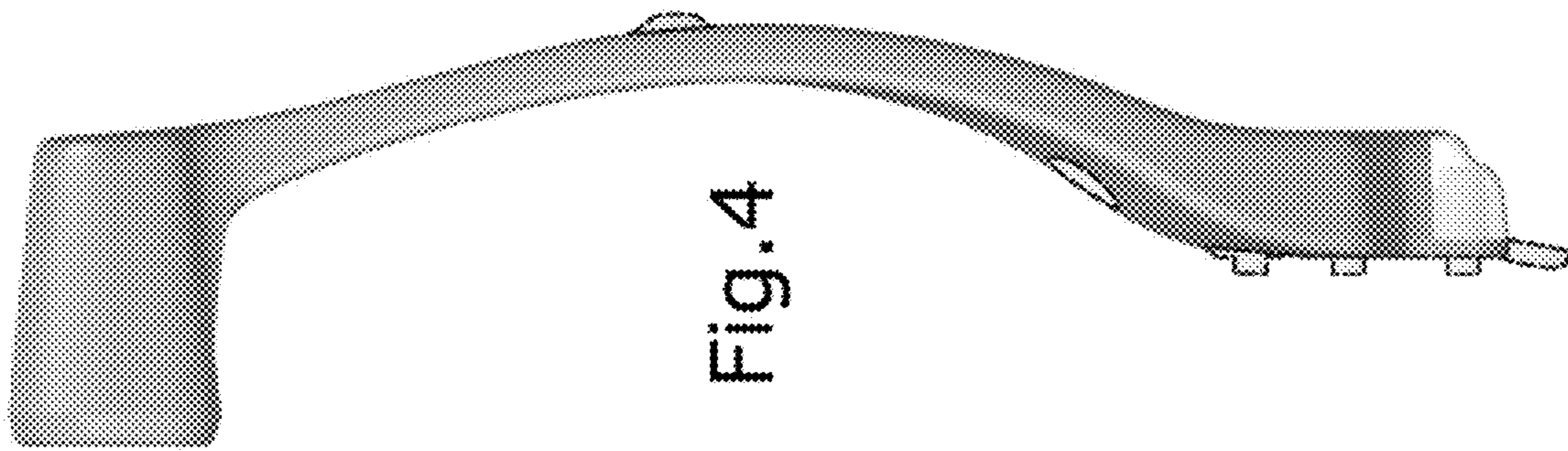


Fig.4

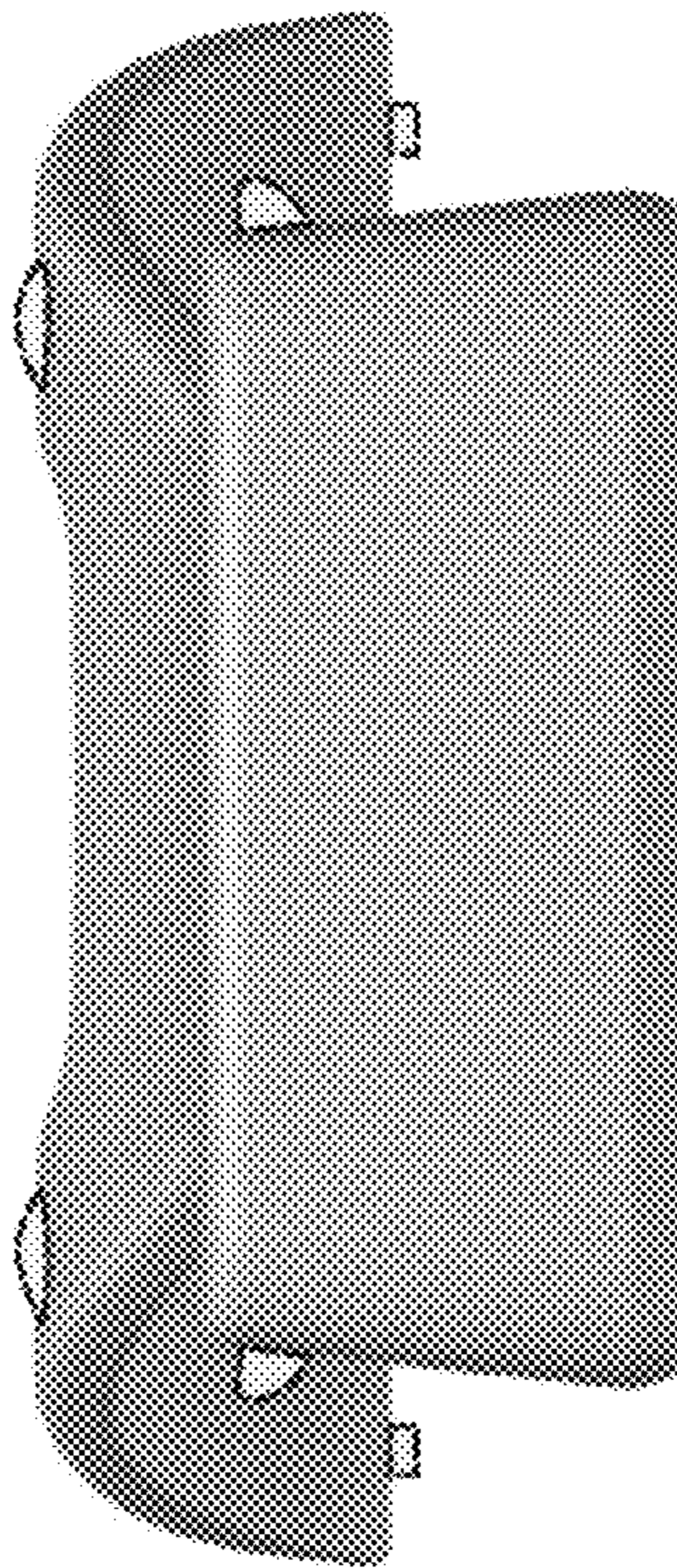


Fig. 5

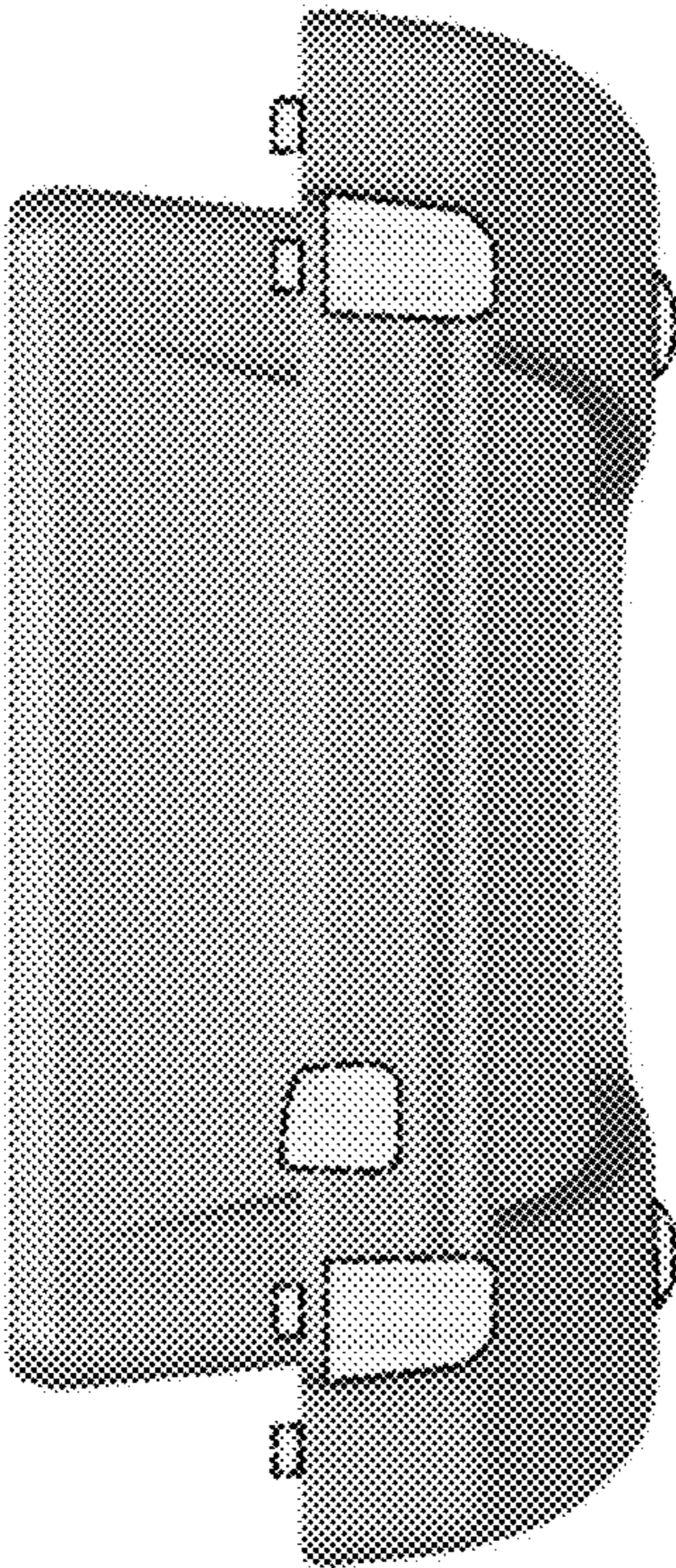


Fig. 6

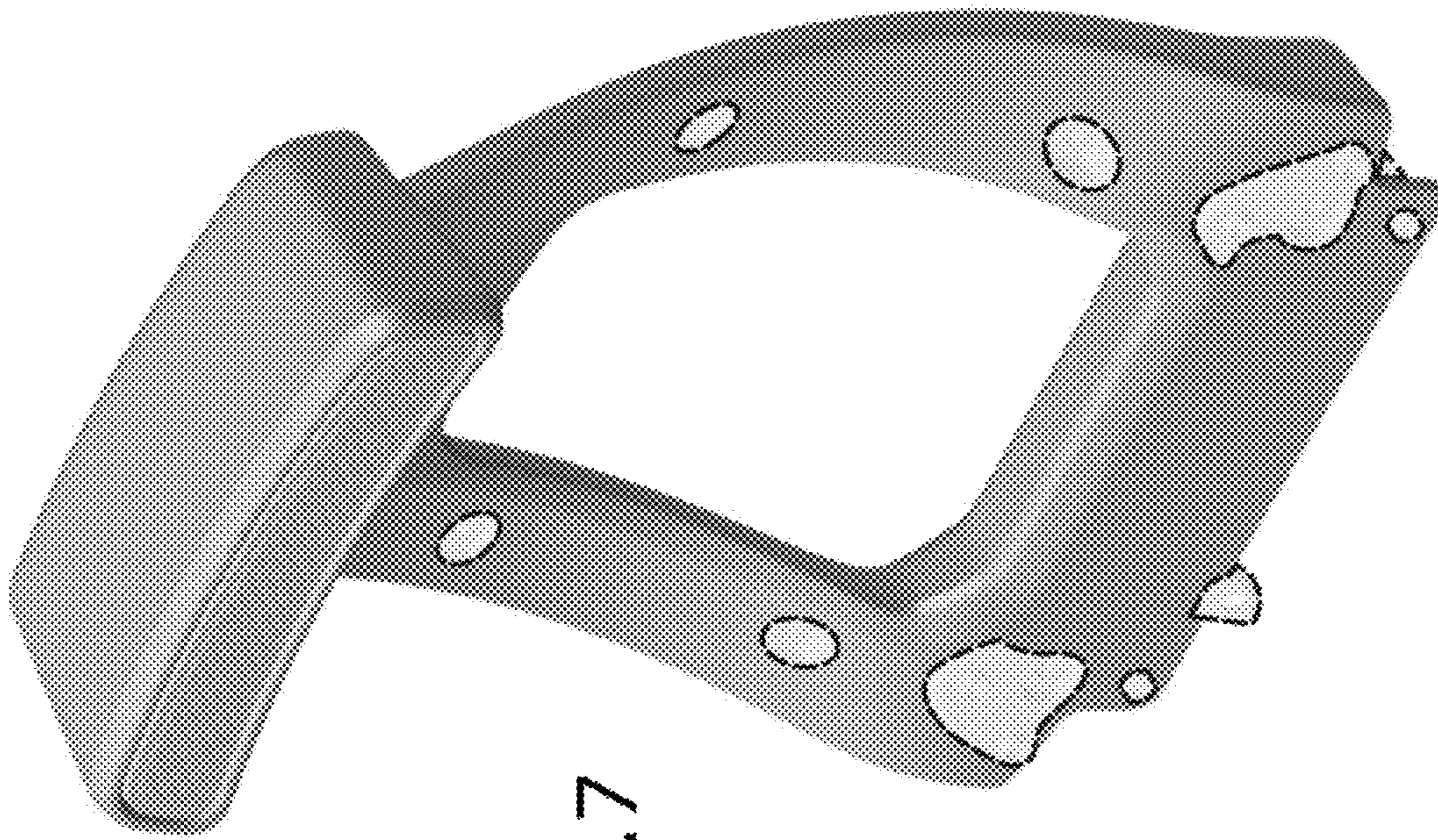


Fig. 7



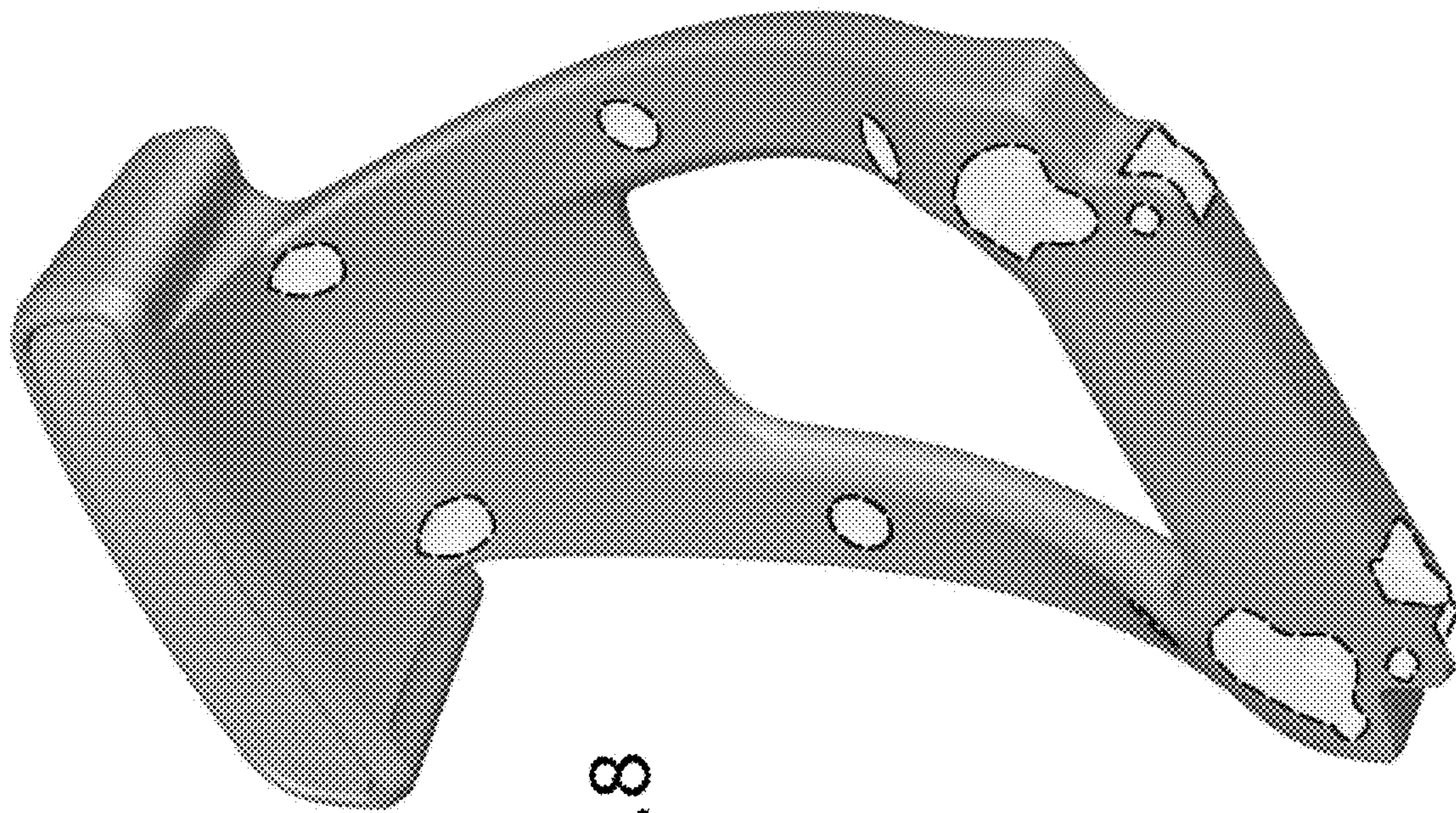


Fig. 8