



US00D936867S

(12) **United States Design Patent**
Xu

(10) **Patent No.:** **US D936,867 S**

(45) **Date of Patent:** **** Nov. 23, 2021**

- (54) **LED ILLUMINATION LAMP**
- (71) Applicant: **Zhongshan Easdar Optoelectronic Technology Co., Ltd., Zhongshan (CN)**
- (72) Inventor: **Baozhou Xu, Zhongshan (CN)**
- (73) Assignee: **Zhongshan Easdar Optoelectronic Technology Co., Ltd., Zhongshan (CN)**

D751,230 S *	3/2016	Howard	F21S 8/035	D26/26
D867,632 S *	11/2019	Wu	D26/28	
10,548,200 B1 *	1/2020	Xu	F21K 9/278	
D884,229 S *	5/2020	Huang	D26/28	
D887,042 S *	6/2020	Jiang	D26/28	
D892,370 S *	8/2020	Yan	D26/28	
D898,245 S *	10/2020	Xu	D26/28	
D898,961 S *	10/2020	Xu	D26/28	
D899,639 S *	10/2020	Li	D26/28	
D903,169 S *	11/2020	Xu	D26/28	

(**) Term: **15 Years**

* cited by examiner

(21) Appl. No.: **29/695,816**

Primary Examiner — Angela J Lee

(22) Filed: **Jun. 21, 2019**

(74) *Attorney, Agent, or Firm* — Wang Law Firm, Inc.

(30) **Foreign Application Priority Data**

Apr. 19, 2019 (CN) 201930182550.3

(51) **LOC (13) Cl.** **26-06**

(52) **U.S. Cl.**
USPC **D26/28; D26/26**

(58) **Field of Classification Search**
USPC D26/28, 29, 30, 31, 32, 33, 34, 35, 36, D26/44, 26
CPC F21S 48/00; F21S 48/10; F21S 48/115; F21S 48/225; F21S 48/1233; F21S 48/1266; F21S 48/1388; F21S 48/2268; F21V 21/04; F21W 2103/35; F21W 3/40; F21W 2102/17; F21W 2102/30; F21W 2103/00; F21W 2103/55; F21W 2104/00; F21W 2107/17; F21W 2107/13
See application file for complete search history.

(56) **References Cited**

U.S. PATENT DOCUMENTS

D328,800 S *	8/1992	Cooper	D26/118
D435,125 S *	12/2000	Boessel	D26/26
D721,449 S *	1/2015	Chen	D26/26

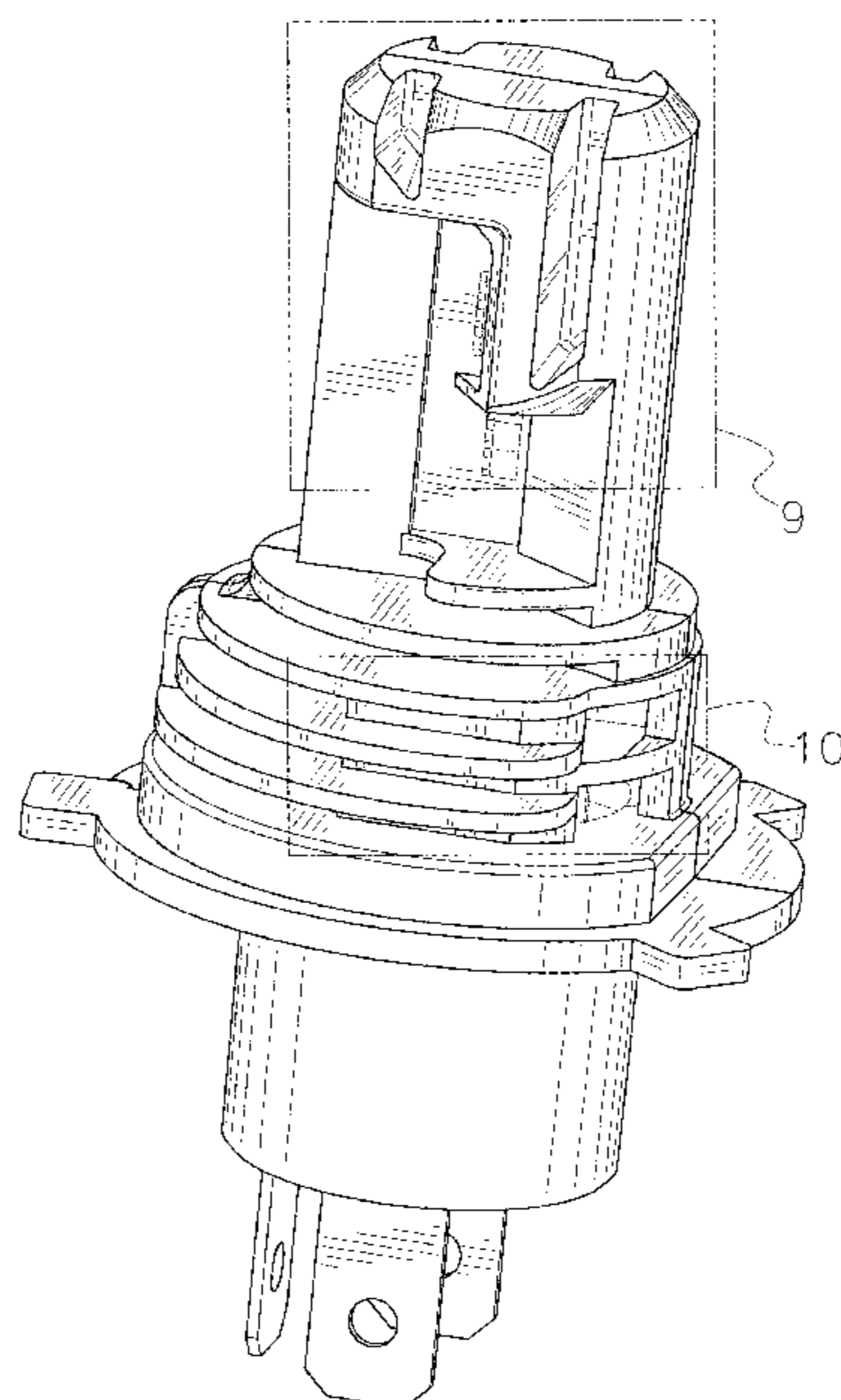
(57) **CLAIM**

The ornamental design for a LED illumination lamp, as shown and described.

DESCRIPTION

FIG. 1 is a perspective view of the LED illumination lamp showing my new design;
 FIG. 2 is a front elevation view thereof;
 FIG. 3 is a rear elevation view thereof;
 FIG. 4 is a left side elevation view thereof;
 FIG. 5 is a right side elevation view thereof;
 FIG. 6 is a top plan view thereof;
 FIG. 7 is a bottom plan view thereof;
 FIG. 8 is a perspective view of the LED illumination lamp from another angle of view showing my new design;
 FIG. 9 is an enlarged view of the portion labeled “9” framed in FIG. 1; and,
 FIG. 10 is an enlarged view of the portion labeled “10” framed in FIG. 1.
 The parts in broken lines of FIG. 1 to FIG. 5 and FIG. 7 to FIG. 10 are for illustrative purpose only and are not part of the claimed design.

1 Claim, 10 Drawing Sheets



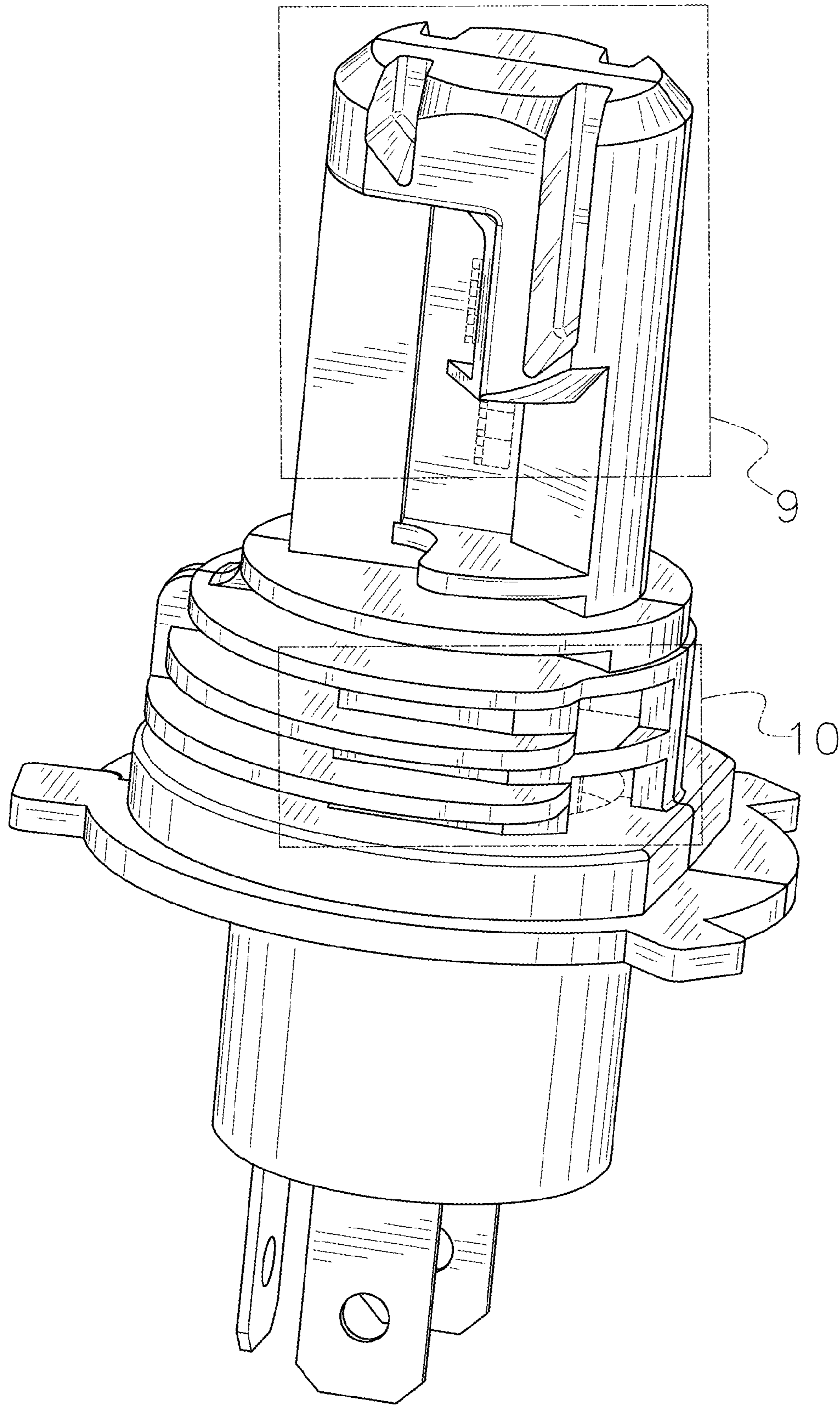


FIG.1

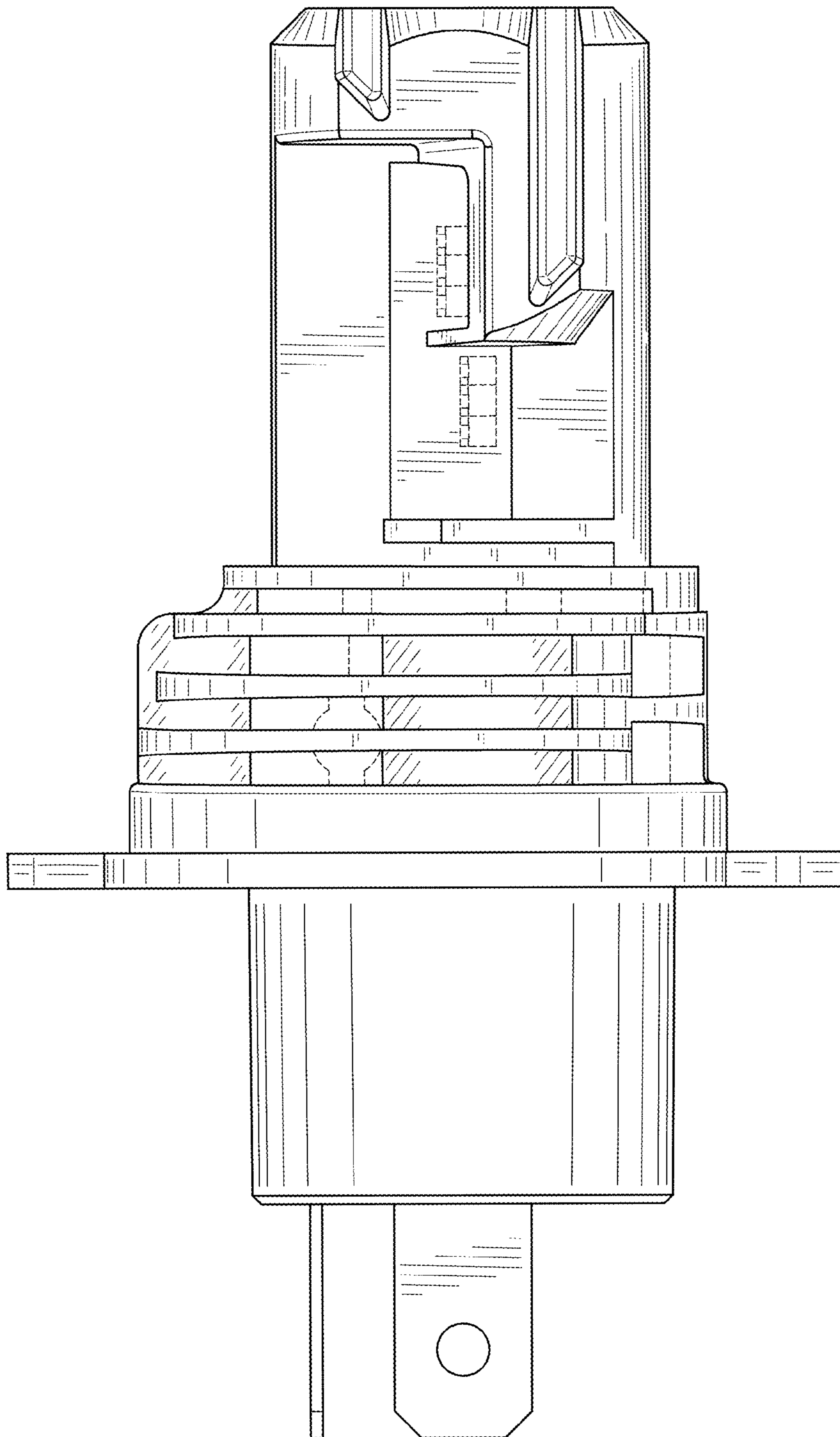


FIG.2

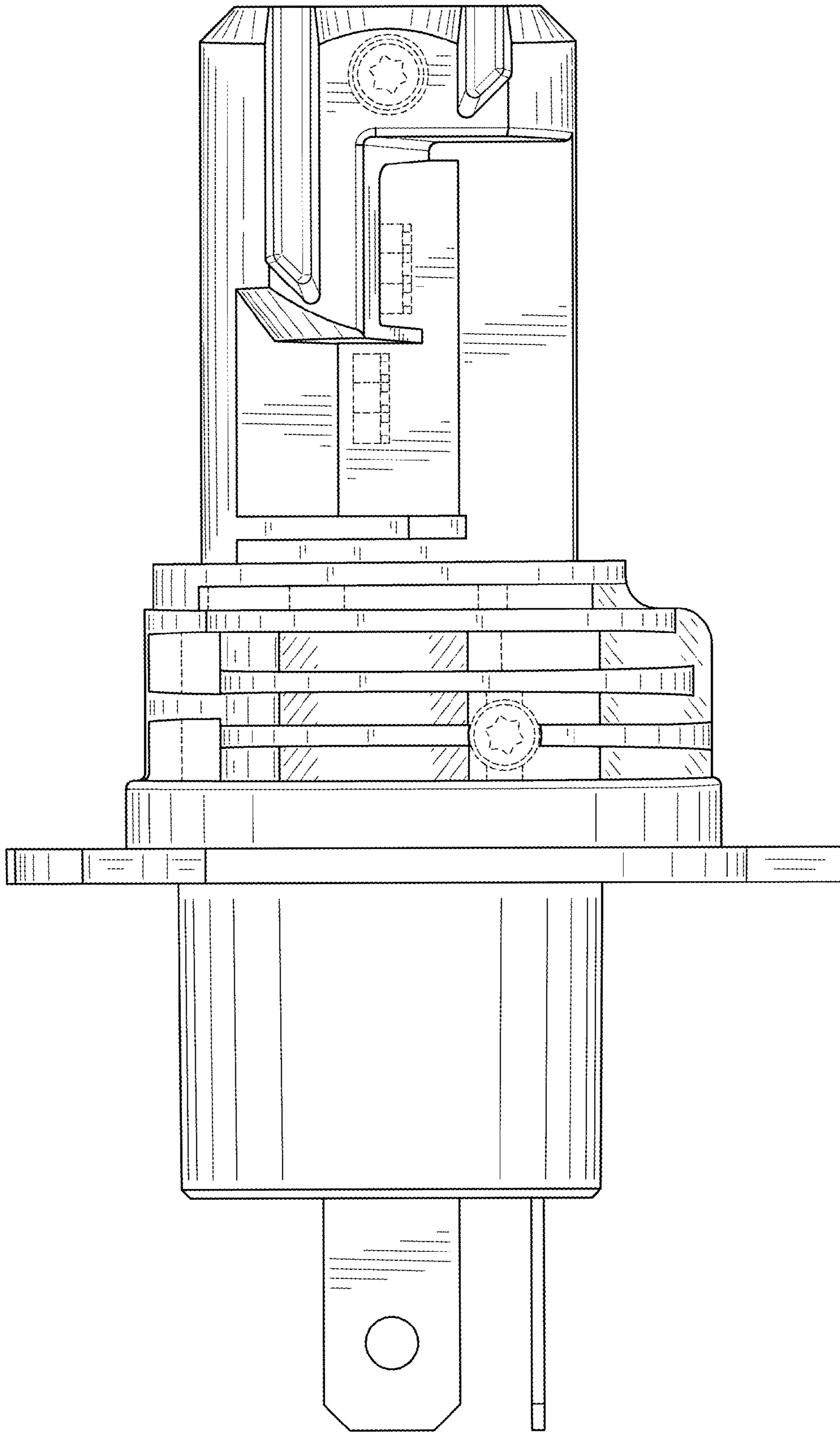


FIG.3

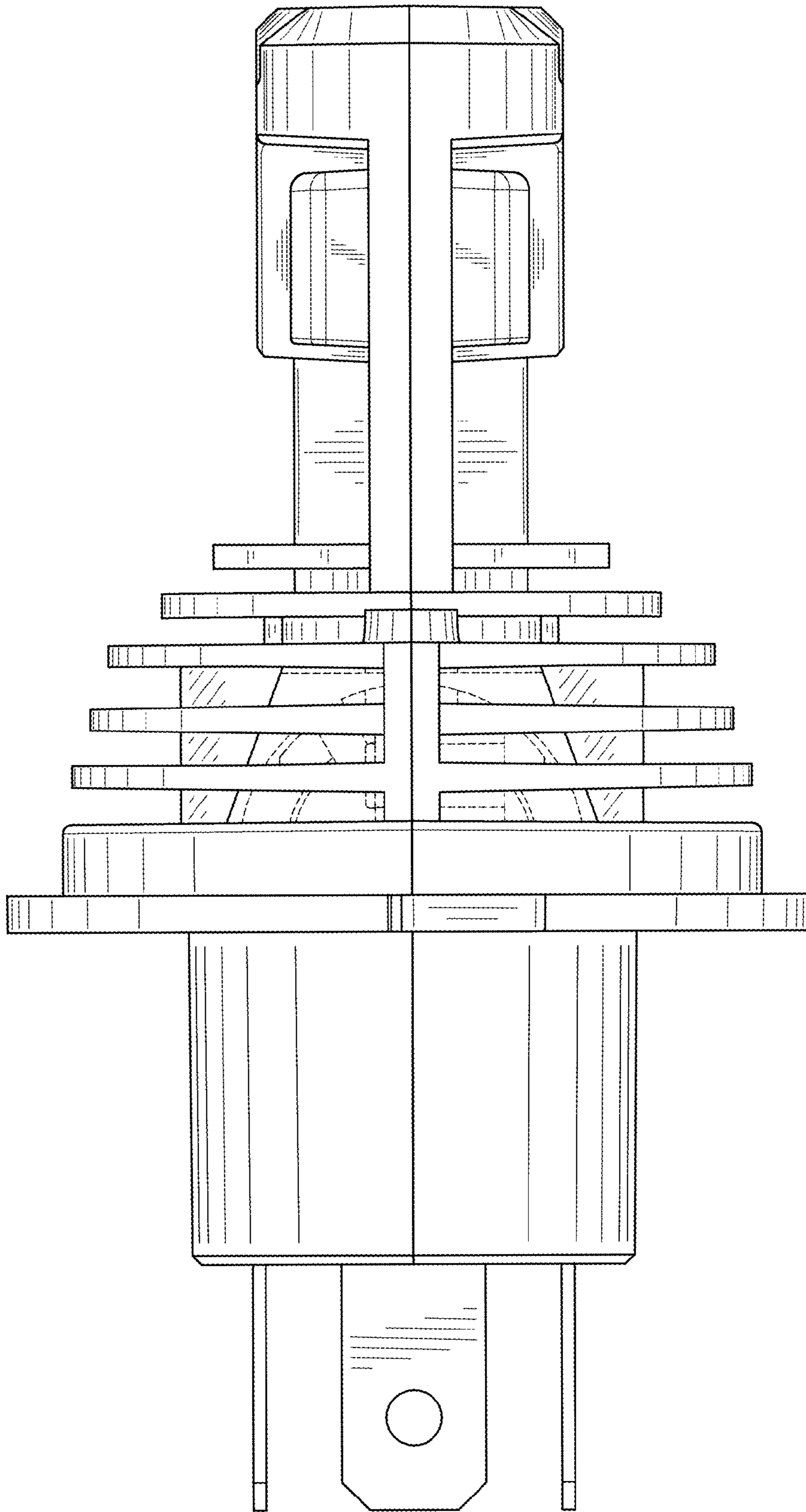


FIG.4

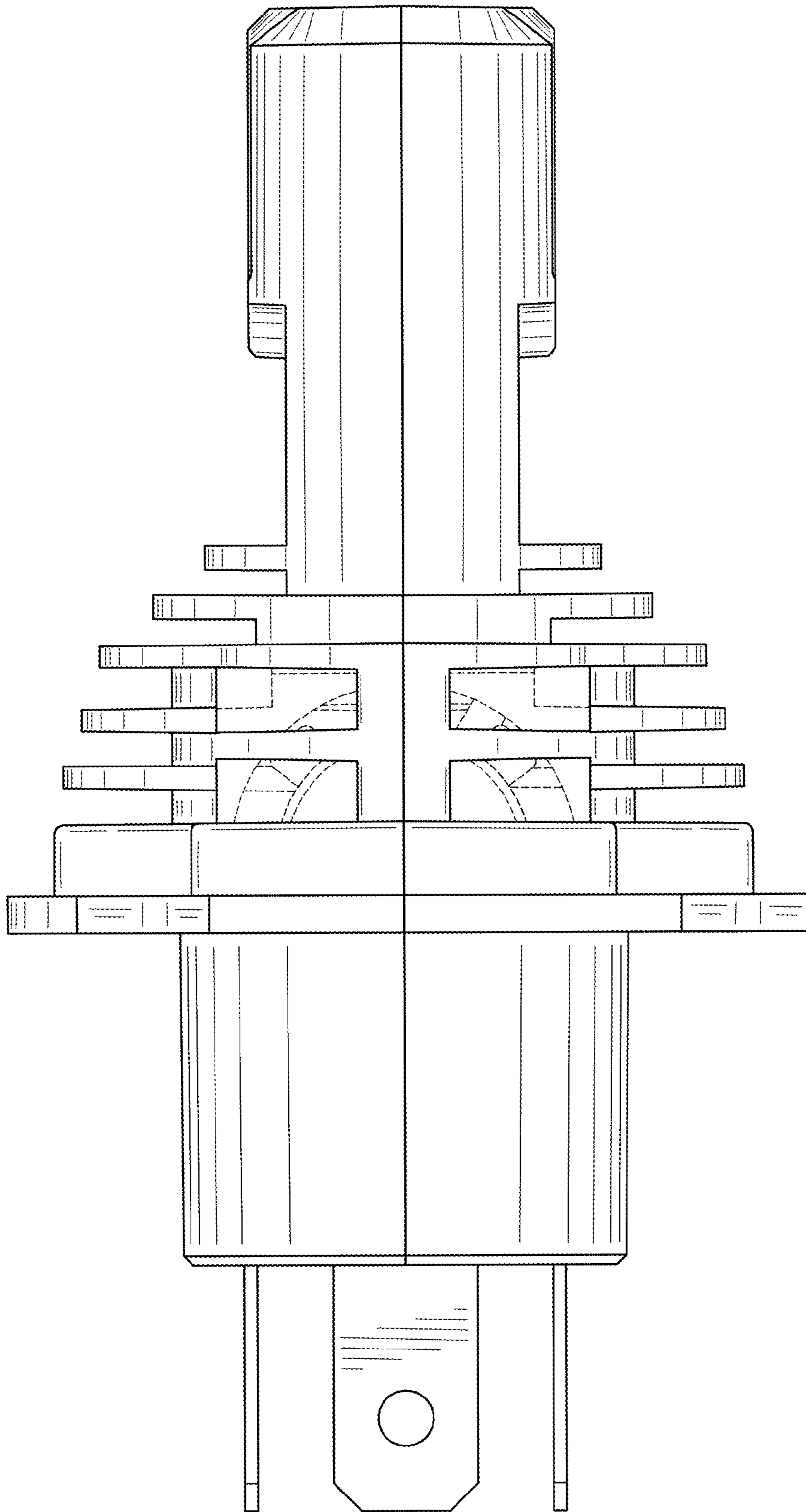


FIG.5

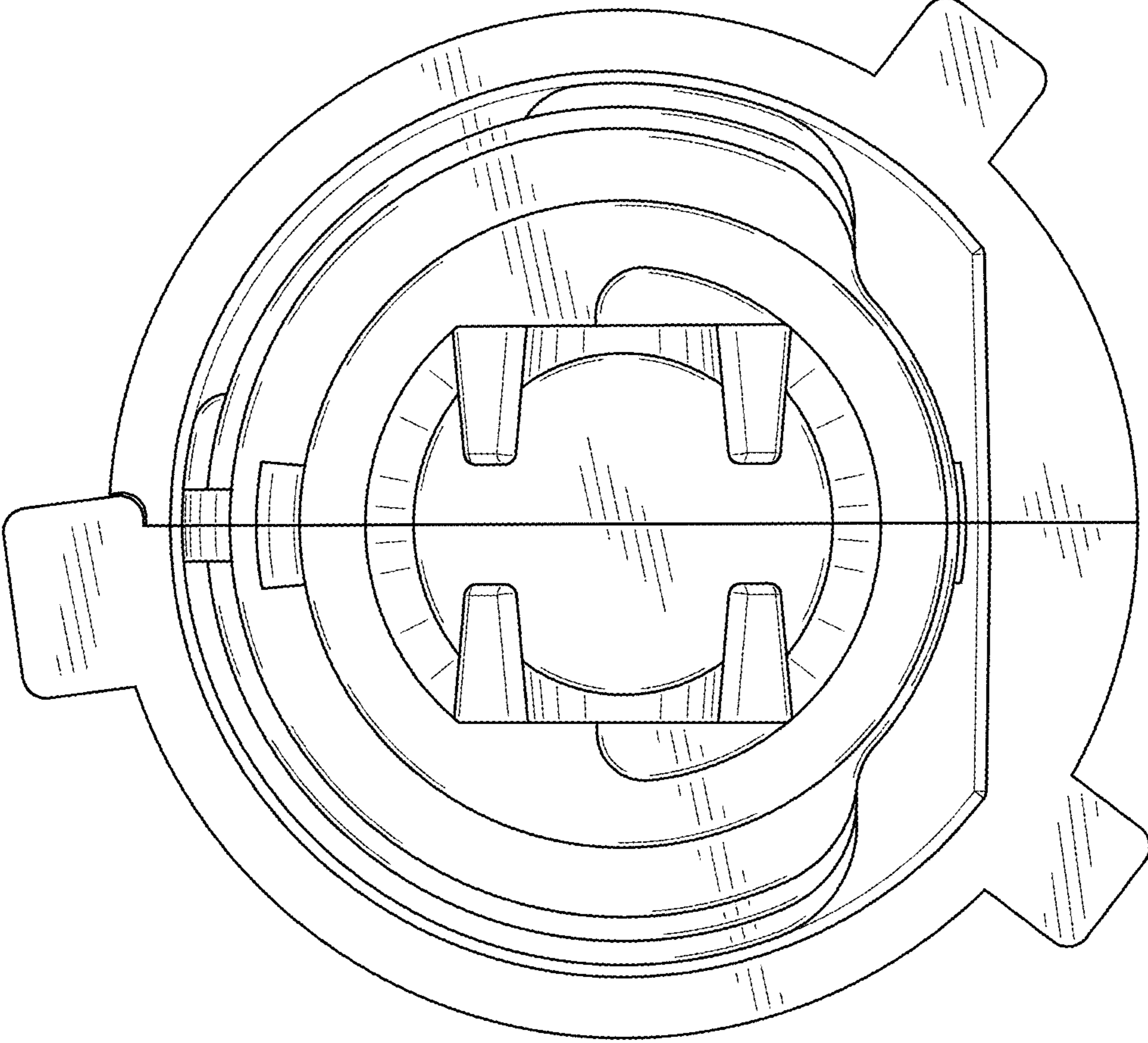


FIG.6

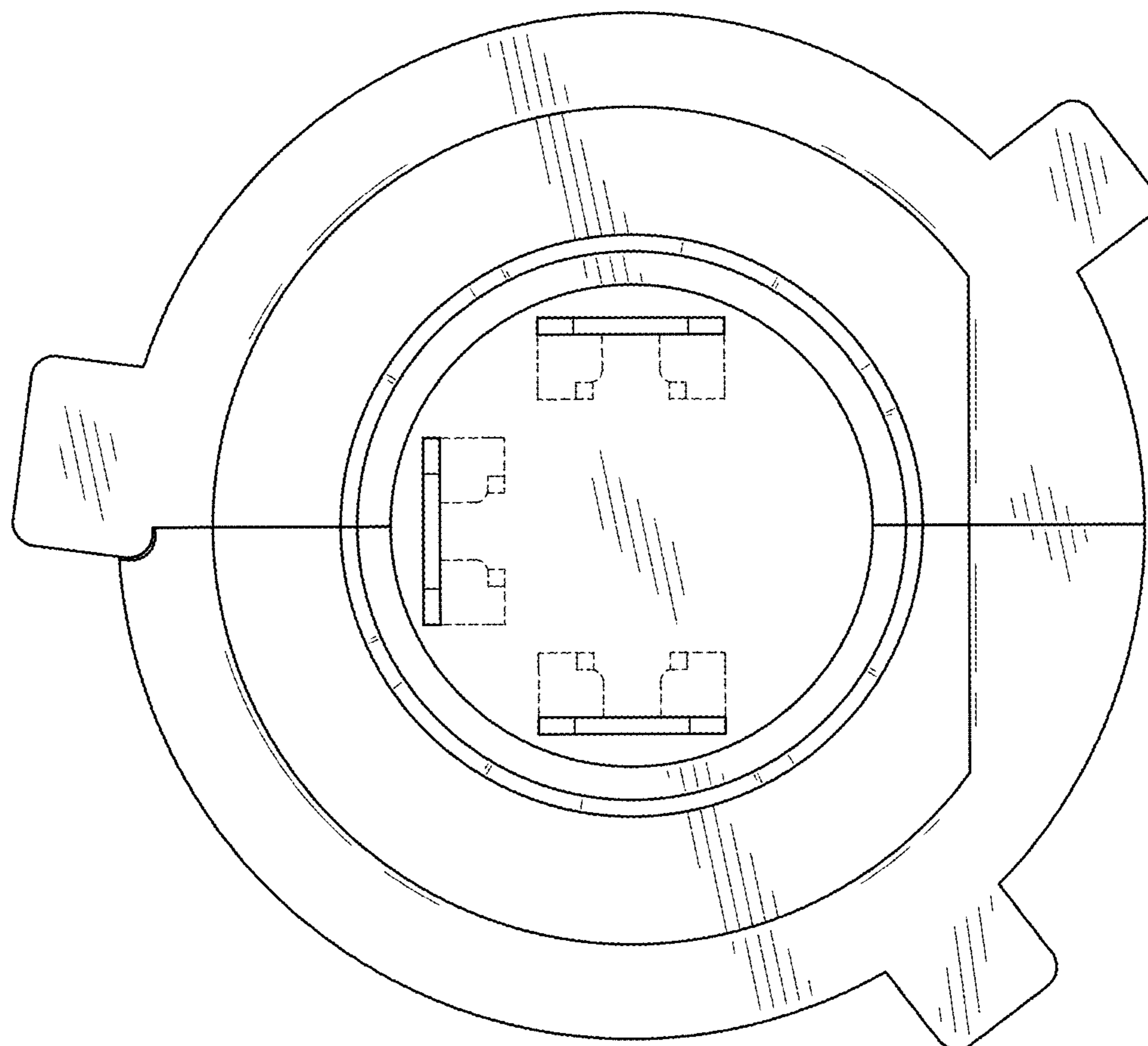


FIG.7

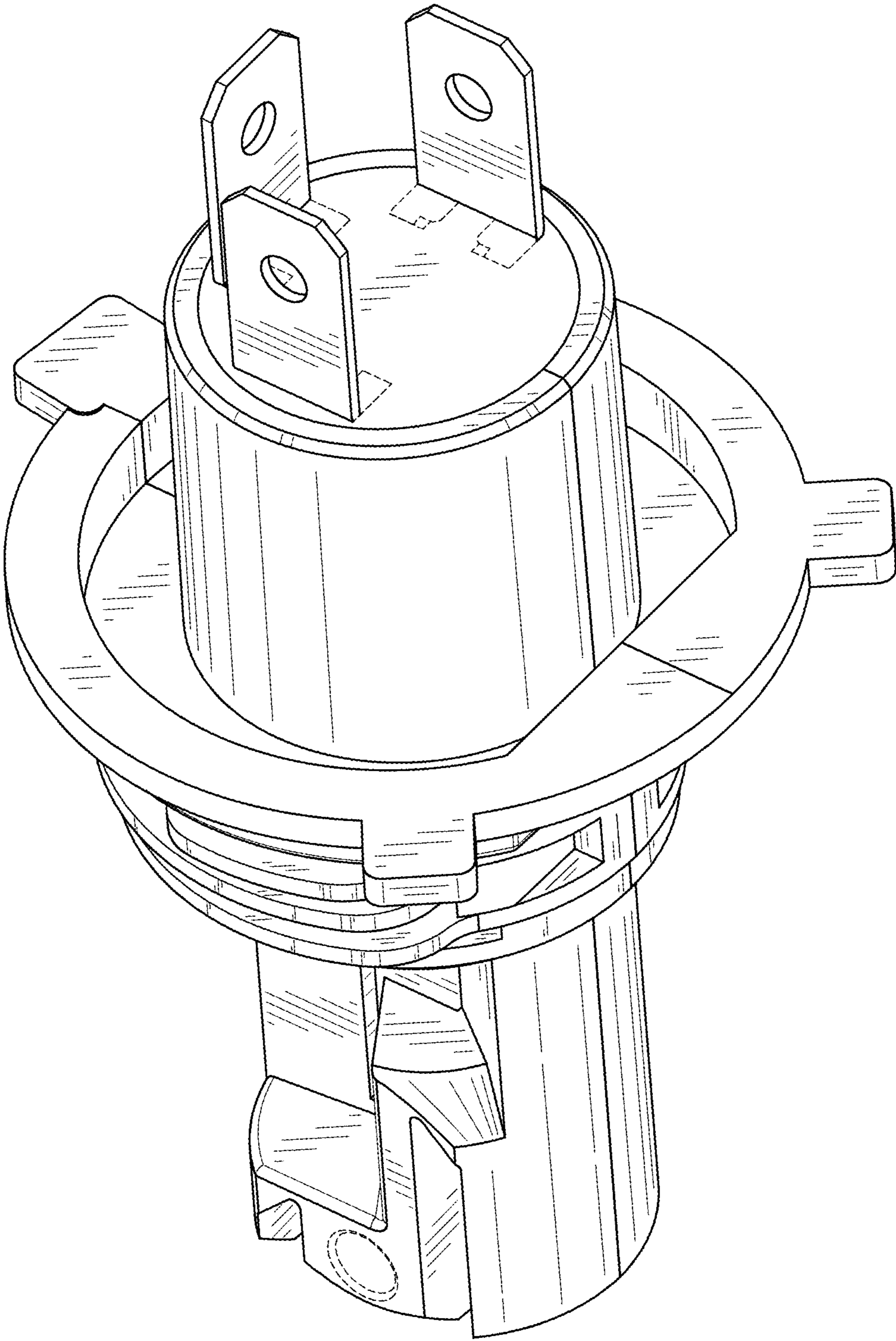


FIG.8

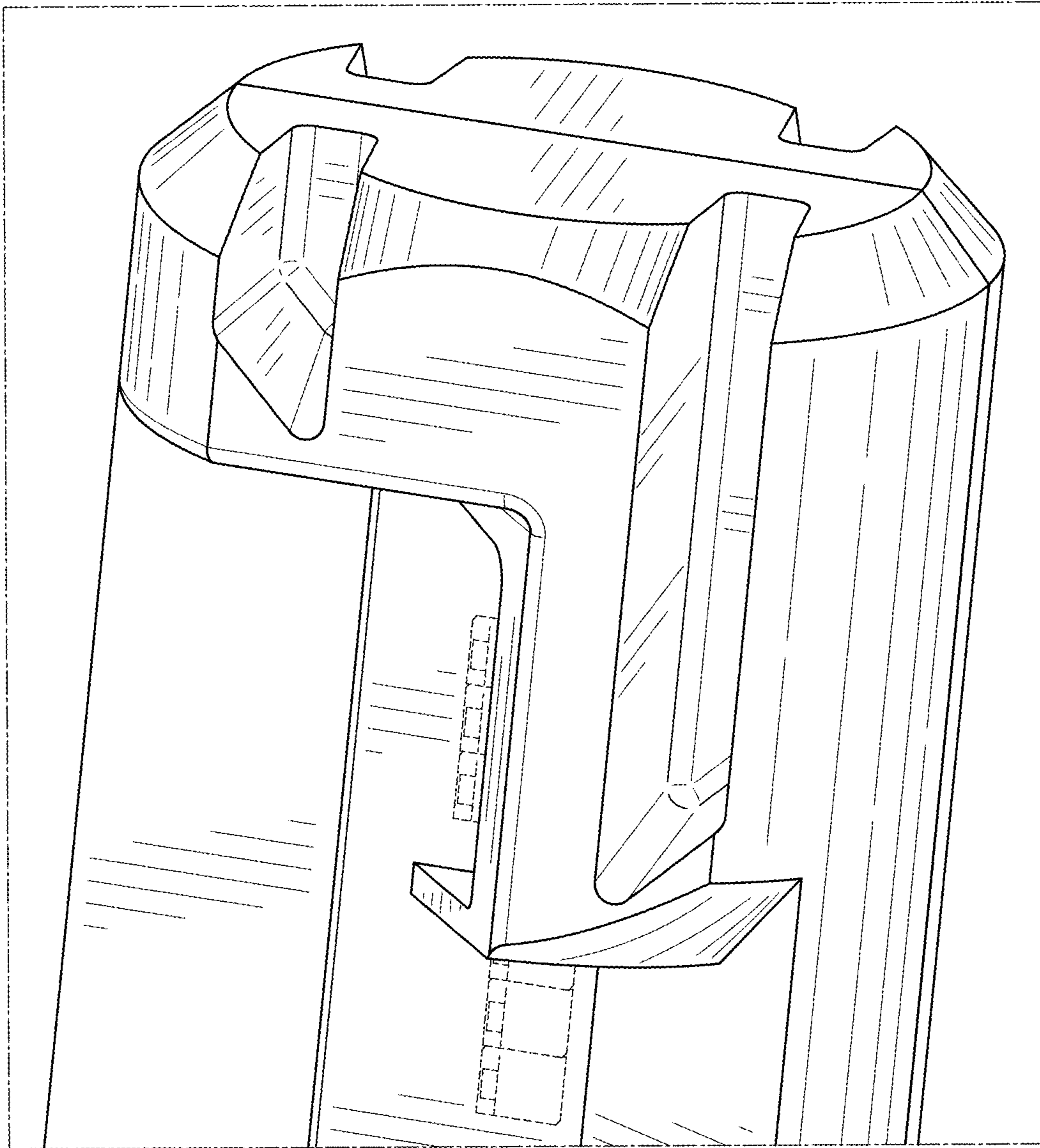


FIG.9

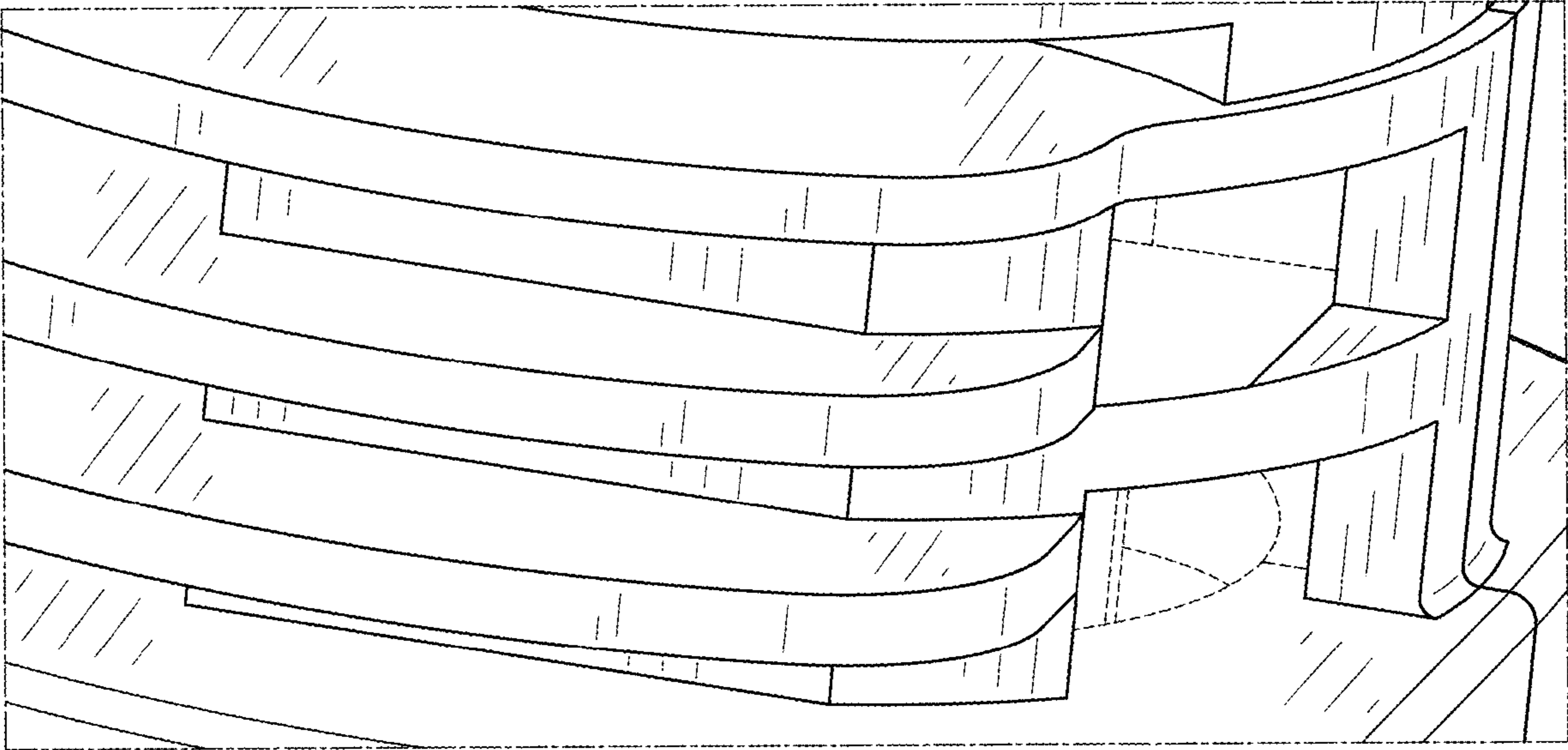


FIG.10