



US00D936865S

(12) **United States Design Patent** (10) **Patent No.:** **US D936,865 S**
Athalye (45) **Date of Patent:** **** Nov. 23, 2021**

(54) **BULB**

(71) Applicant: **Praneet Jayant Athalye**, Apex, NC (US)
(72) Inventor: **Praneet Jayant Athalye**, Apex, NC (US)
(73) Assignee: **BUCK BOOST, LLC**, Apex, NC (US)
(**) Term: **15 Years**
(21) Appl. No.: **29/757,938**
(22) Filed: **Nov. 10, 2020**

Related U.S. Application Data

(63) Continuation of application No. 15/860,629, filed on Jan. 2, 2018, now Pat. No. 10,851,949.
(51) **LOC (13) Cl.** **26-04**
(52) **U.S. Cl.**
USPC **D26/2**
(58) **Field of Classification Search**
USPC D26/1-11
CPC H01R 13/514; H01R 5/00; H01R 13/46;
H01R 31/048; H01R 31/02; H01J 5/00;
H01J 5/16; H01J 1/02; H01J 15/00; H01J
5/48; H01J 5/50; H01J 19/54; F21V 5/00;
F21K 9/00; F21K 13/00
See application file for complete search history.

(56) **References Cited**

U.S. PATENT DOCUMENTS

D508,575 S *	8/2005	Buschmann	D26/2
D528,227 S *	9/2006	Chou	D26/2
D531,741 S *	11/2006	Takahashi	D26/2
D534,665 S *	1/2007	Egawa	D26/2
D538,953 S *	3/2007	Mama	D26/2
D651,327 S *	12/2011	Hsiao	D26/2

* cited by examiner

Primary Examiner — Marcus A Jackson

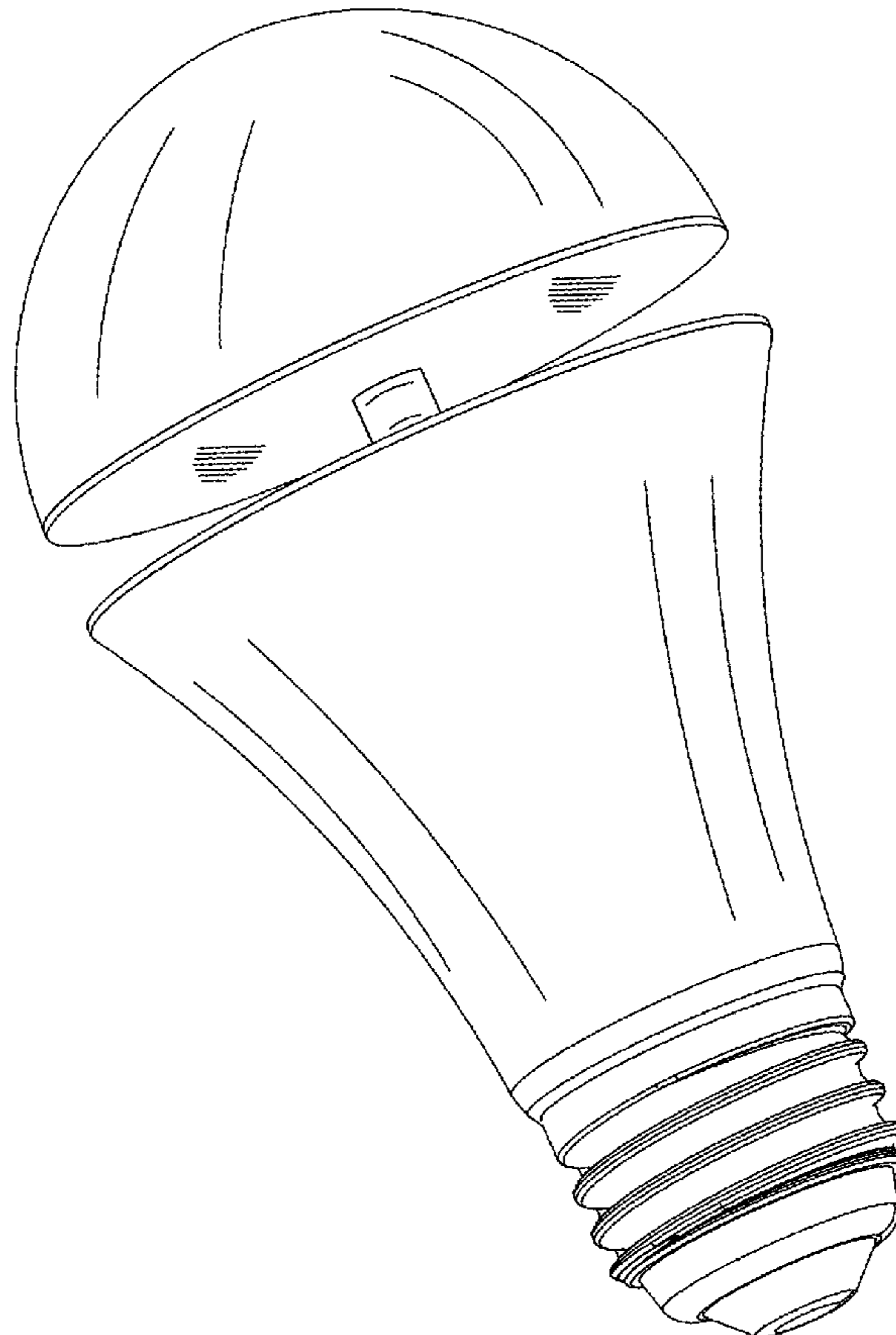
(57) **CLAIM**

The ornamental design for an bulb, as shown and described.

DESCRIPTION

FIG. 1 is a first perspective view of my new design for an bulb;
FIG. 2 is a top view of the bulb of FIG. 1;
FIG. 3 is a bottom view of the bulb of FIG. 1;
FIG. 4 is a second perspective view of the bulb of FIG. 1.
FIG. 5 is a front view or elevation of the bulb of FIG. 1;
FIG. 6 is a left hand side view of the bulb of FIG. 1;
FIG. 7 is a right hand side view of the bulb of FIG. 1; and,
FIG. 8 is a rear view of the bulb of FIG. 1.

1 Claim, 7 Drawing Sheets



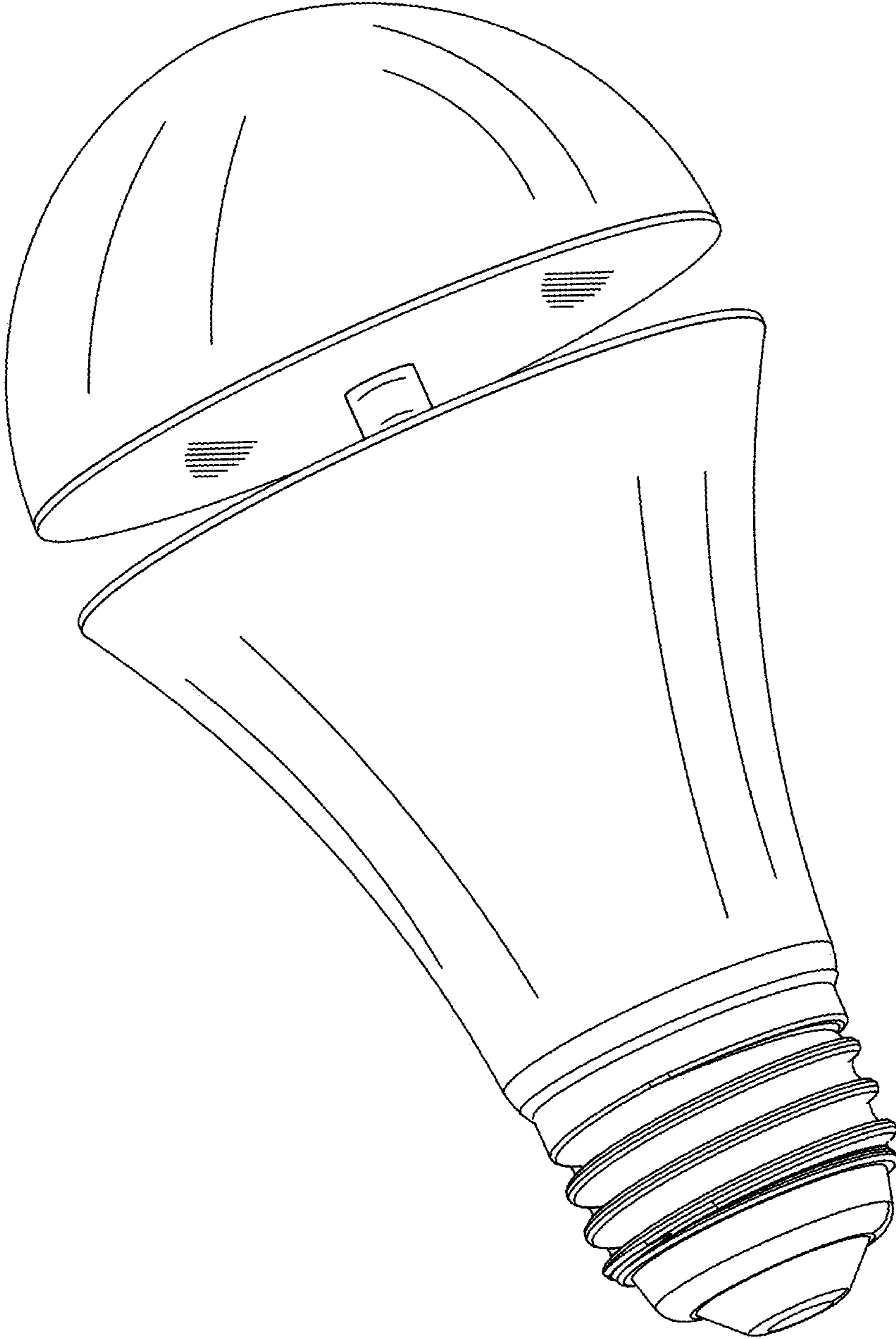


FIG. 1

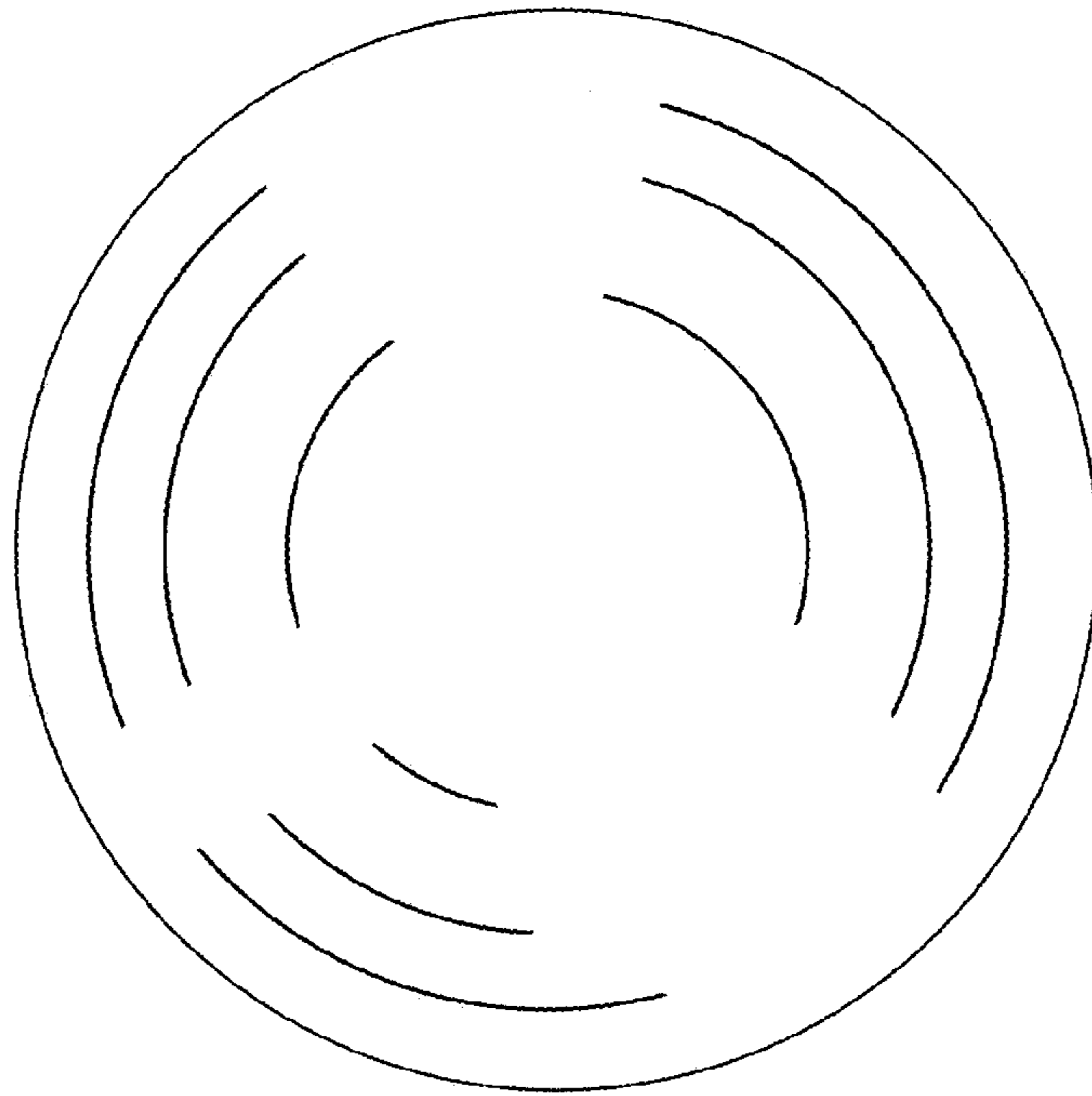


FIG. 2

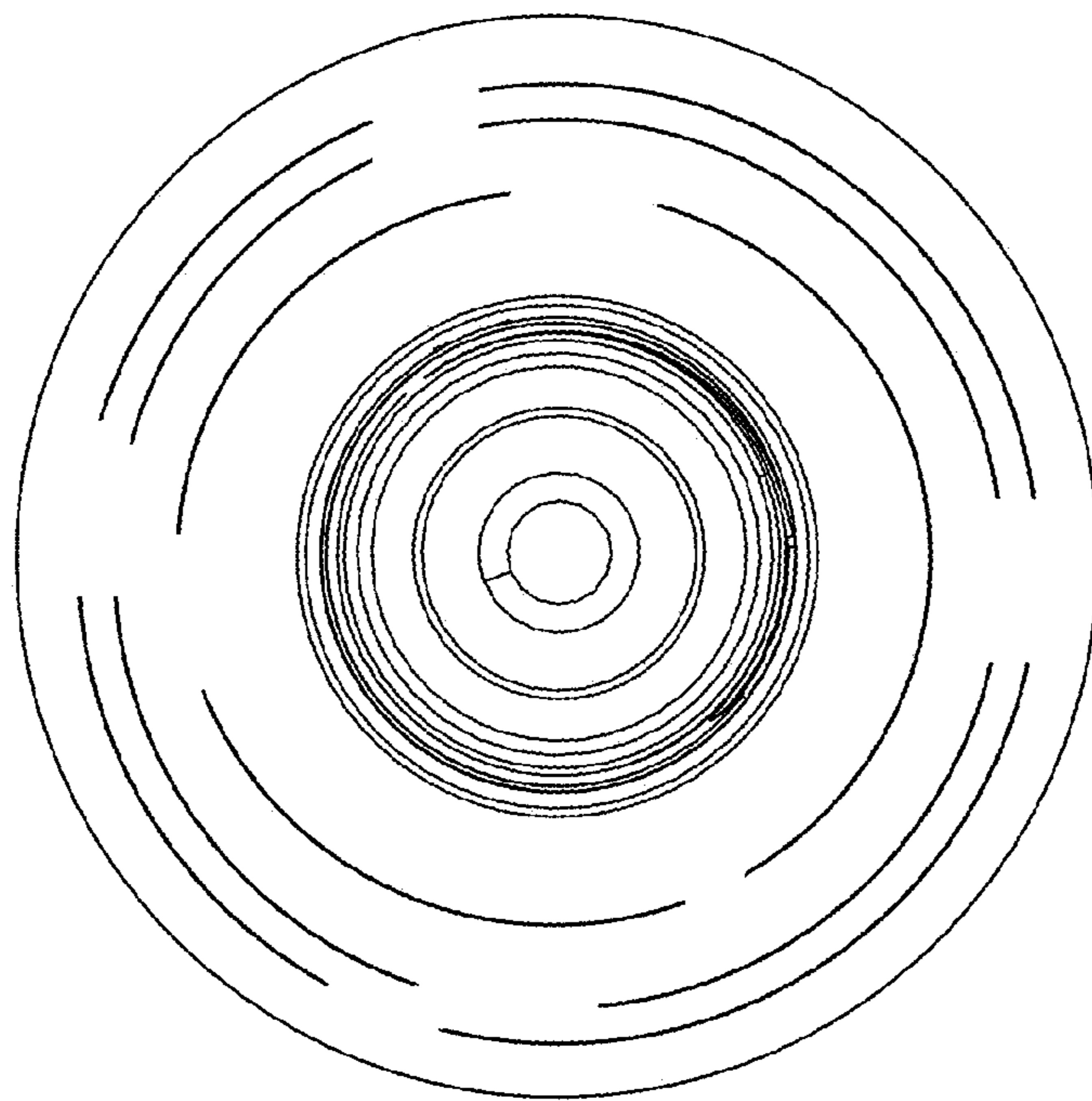


FIG. 3

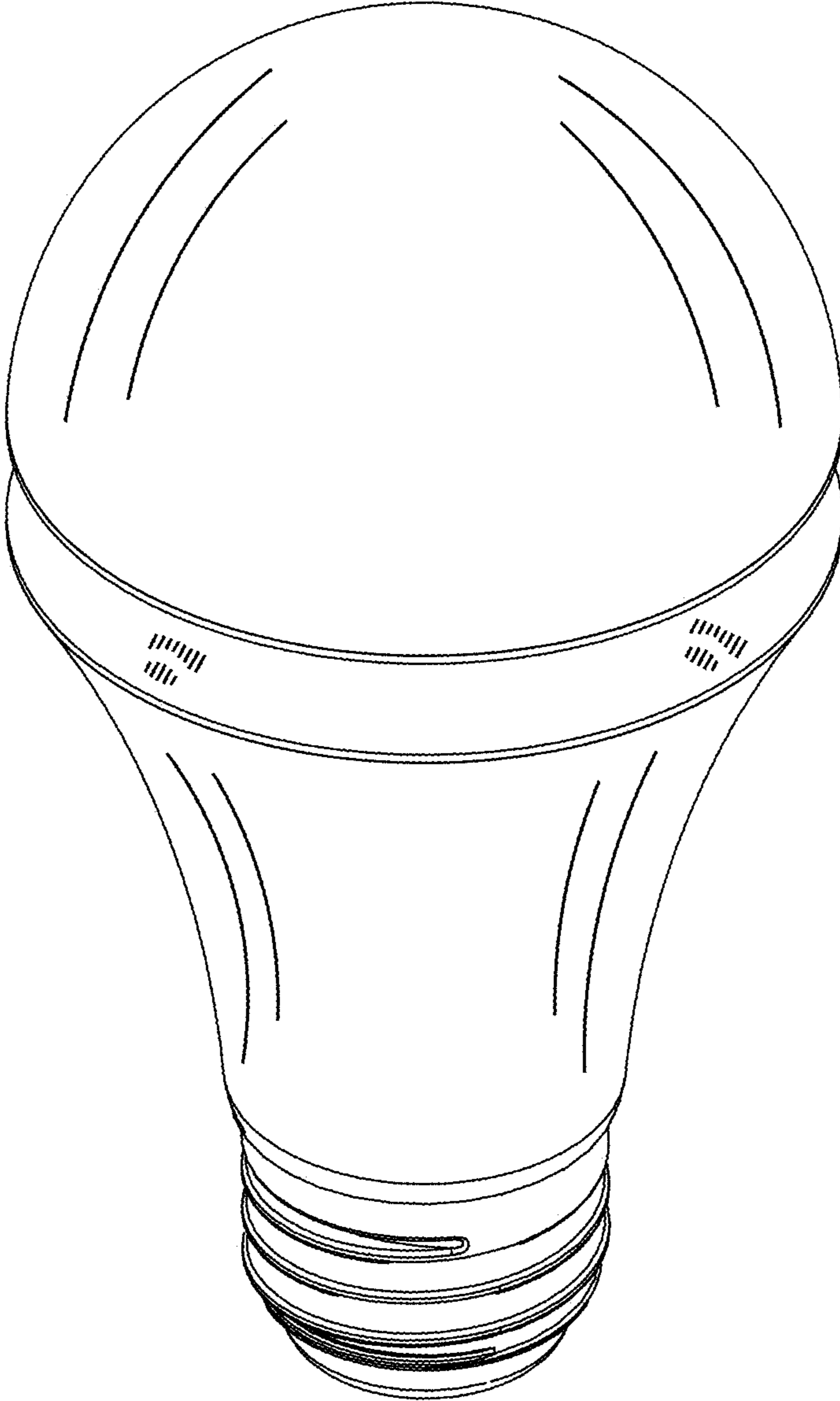


FIG. 4

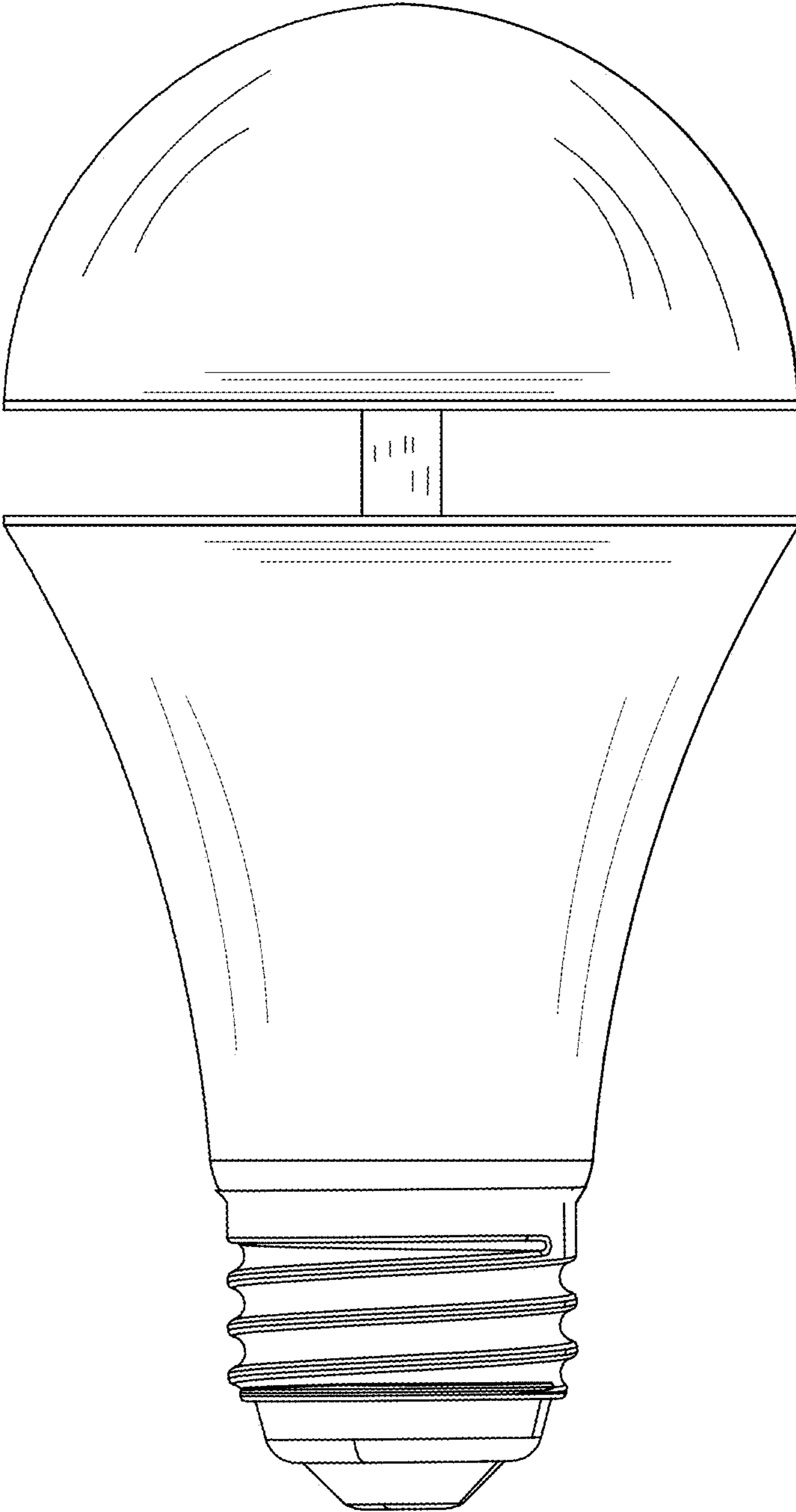


FIG. 5

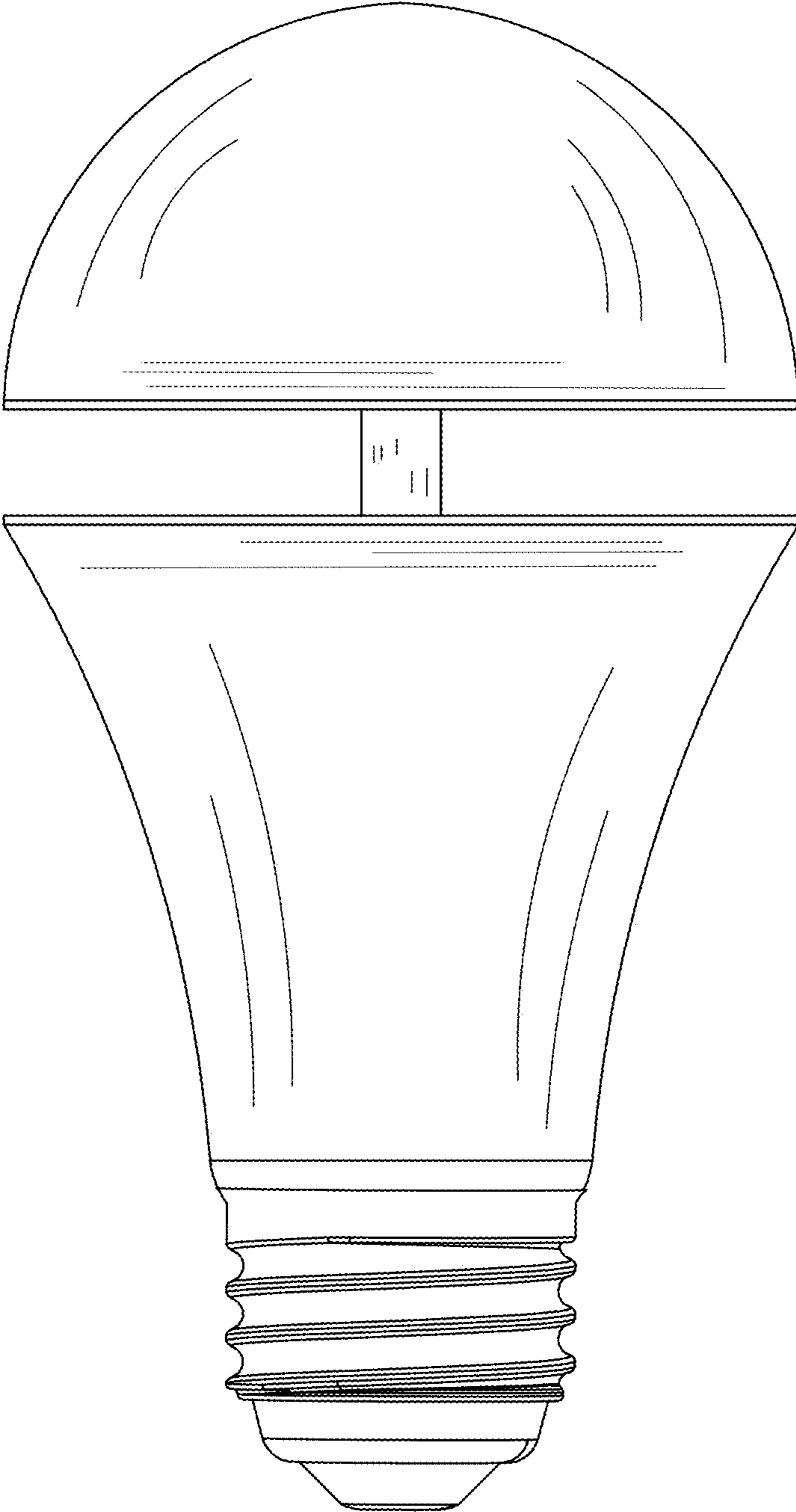


FIG. 6

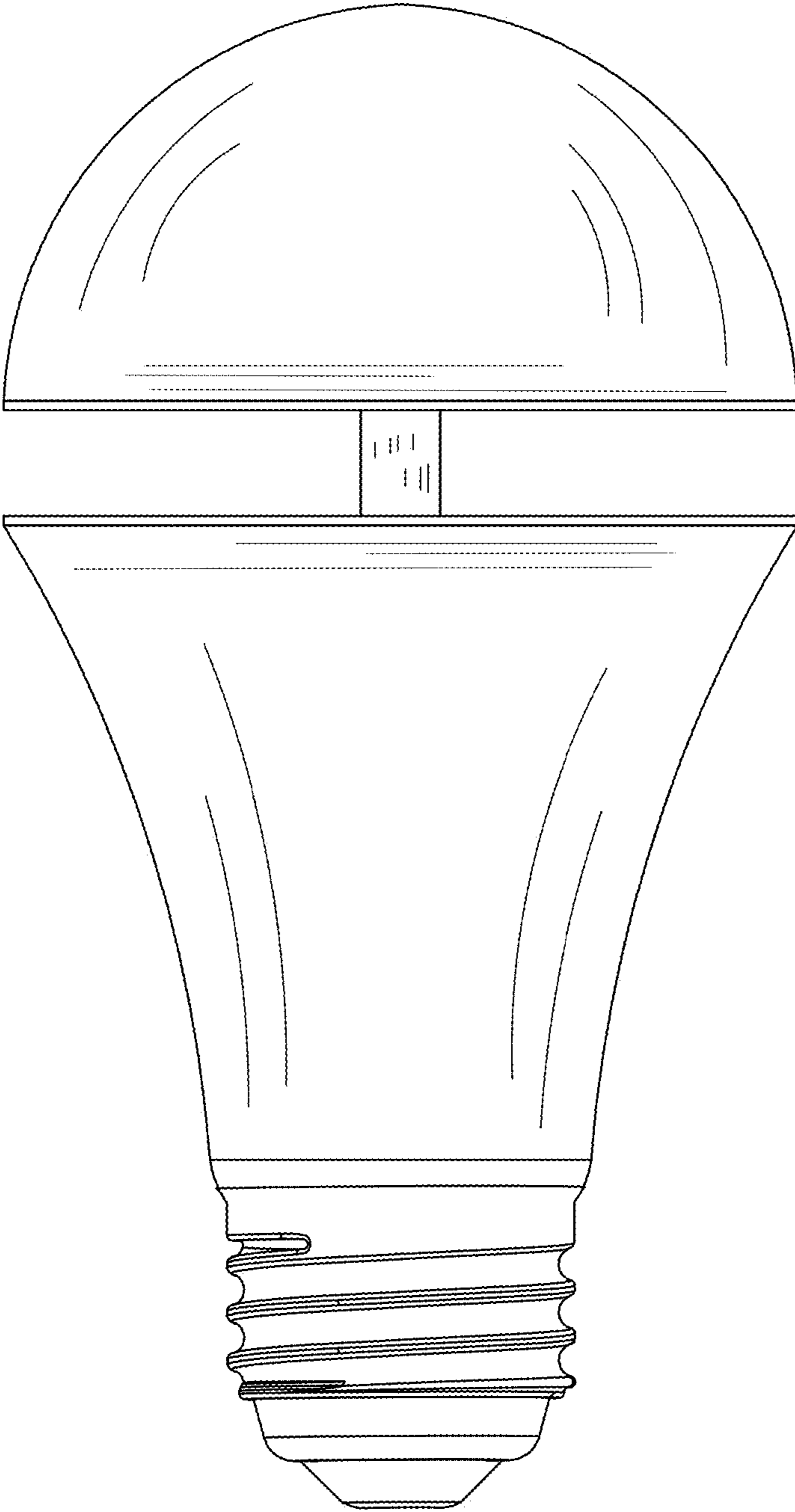


FIG. 7

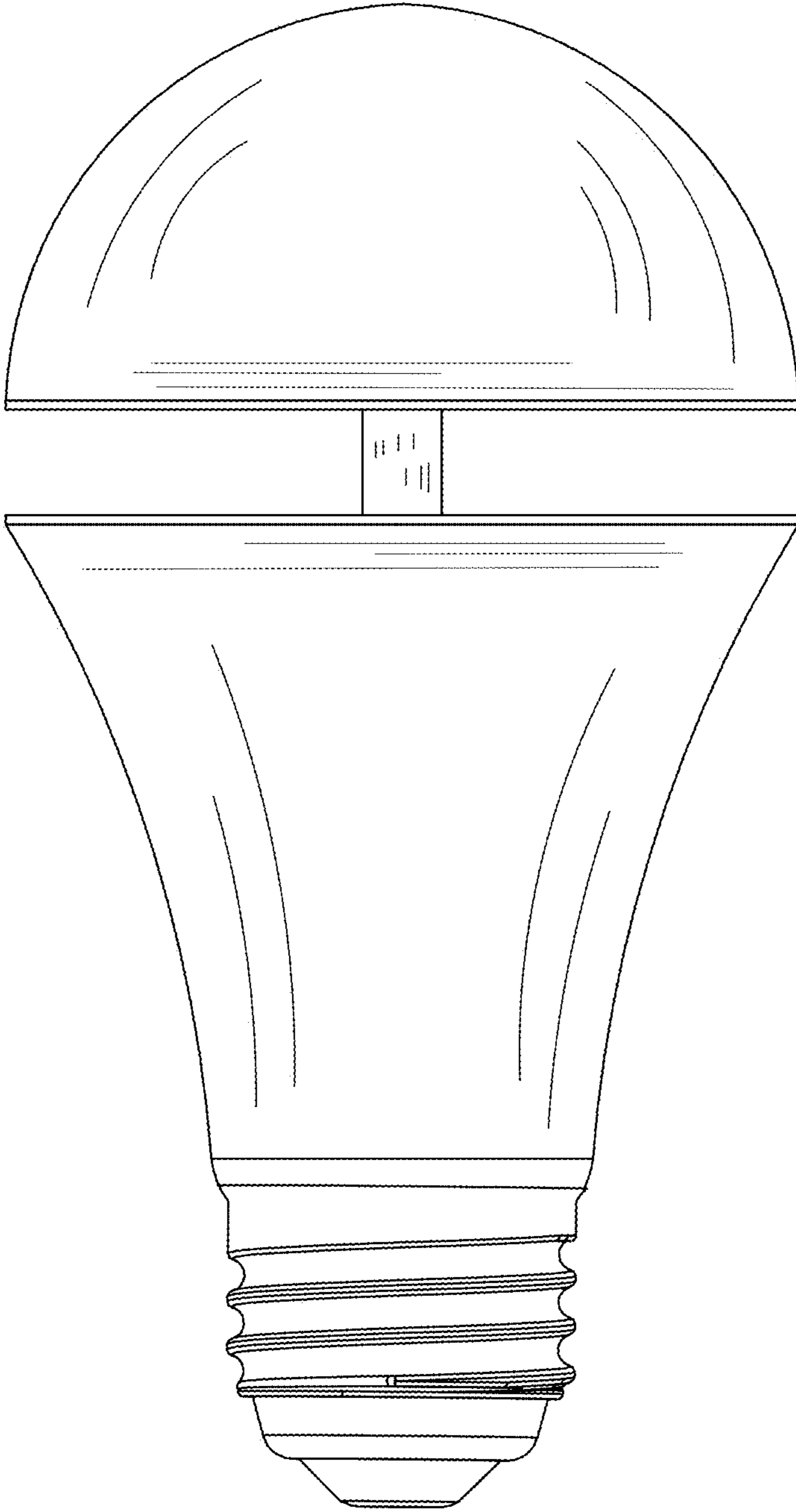


FIG. 8