



US00D936864S

(12) **United States Design Patent** (10) **Patent No.:** **US D936,864 S**
Conte et al. (45) **Date of Patent:** **** Nov. 23, 2021**

(54) **LED LAMP**

5/48; H01J 5/50; H01J 19/54; F21V 5/00;
F21K 9/00; F21K 13/00

(71) Applicants: **Paul Jerome McCain**, Earth City, MO
(US); **Matthew Stephen Conte**,
Chicago, IL (US)

See application file for complete search history.

(56) **References Cited**

(72) Inventors: **Matthew Stephen Conte**, Chicago, IL
(US); **Paul Jerome McCain**, St.
Charles, MO (US)

U.S. PATENT DOCUMENTS

D688,392 S *	8/2013	Tsai	D26/2
D697,234 S *	1/2014	Wei	D26/2
D706,961 S *	6/2014	Nasrullah	D26/2
D716,975 S *	11/2014	Hasuo	D26/2

(73) Assignee: **Diode Dynamics, LLC**, Earth City, MO
(US)

* cited by examiner

(**) Term: **15 Years**

Primary Examiner — Marcus A Jackson

(21) Appl. No.: **29/718,351**

(57) **CLAIM**

We claim the ornamental design for an LED lamp, as shown
and described.

(22) Filed: **Dec. 23, 2019**

DESCRIPTION

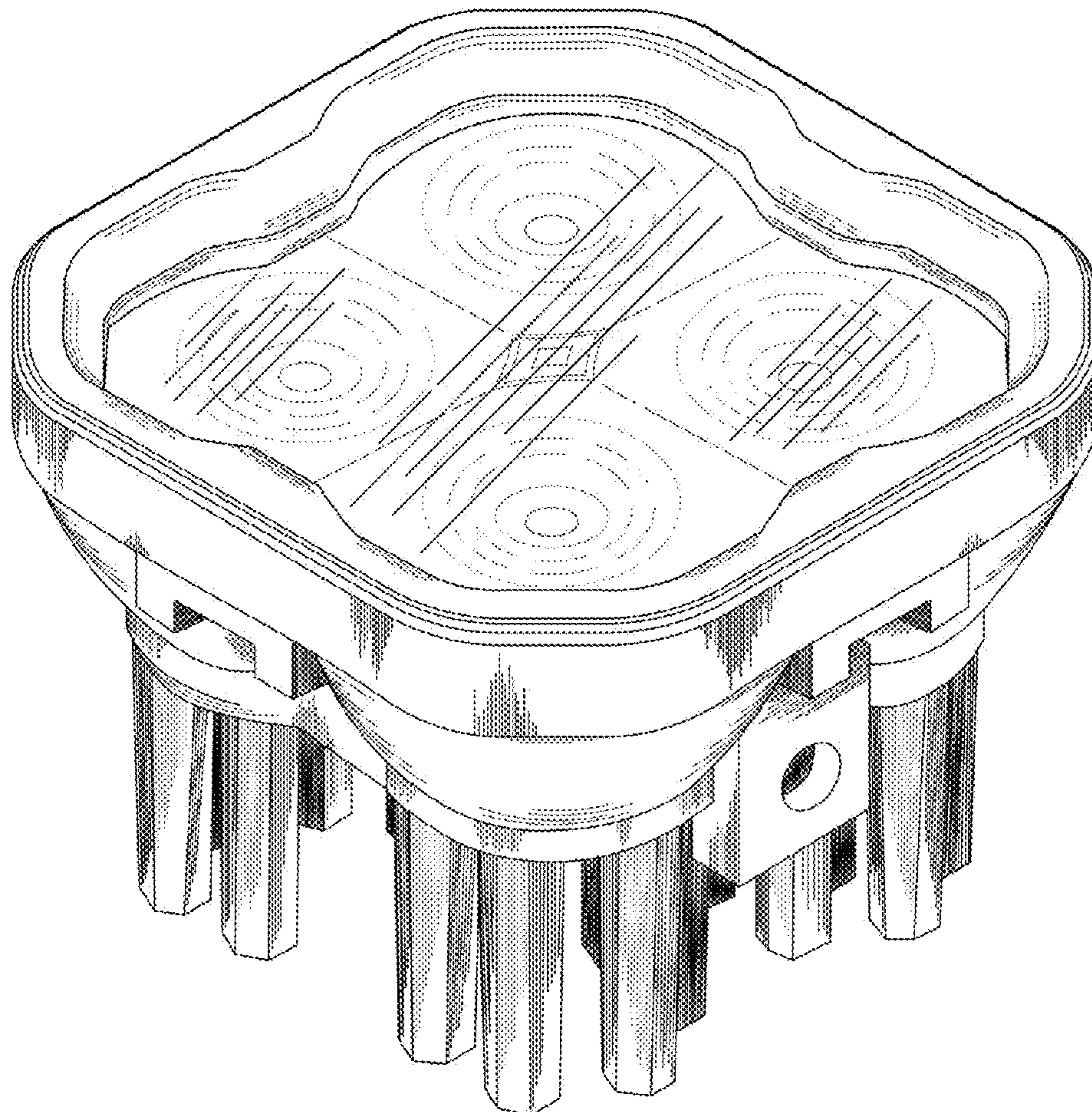
(51) **LOC (13) Cl.** **26-04**

(52) **U.S. Cl.**
USPC **D26/2**

(58) **Field of Classification Search**
USPC D26/1-4
CPC H01R 13/514; H01R 5/00; H01R 13/46;
H01R 31/02; H01R 31/048; H01J 5/00;
H01J 5/16; H01J 1/02; H01J 15/00; H01J

FIG. 1 is a top left perspective view of an LED lamp
embodying the new design;
FIG. 2 is a bottom right perspective view;
FIG. 3 is a front elevational view;
FIG. 4 is a rear elevational view; and,
FIG. 5 is a left side elevational view.

1 Claim, 5 Drawing Sheets



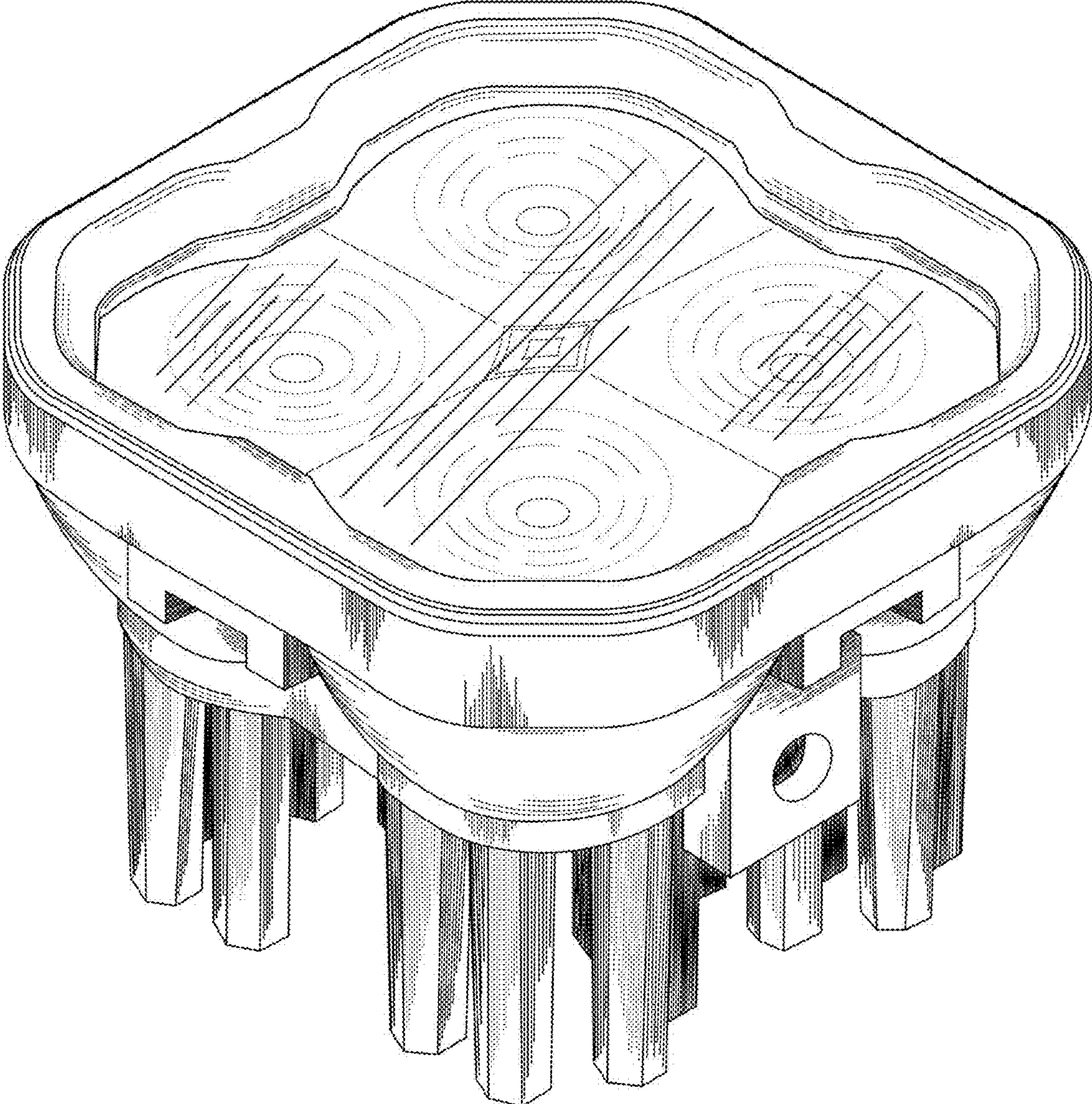


FIG. 1

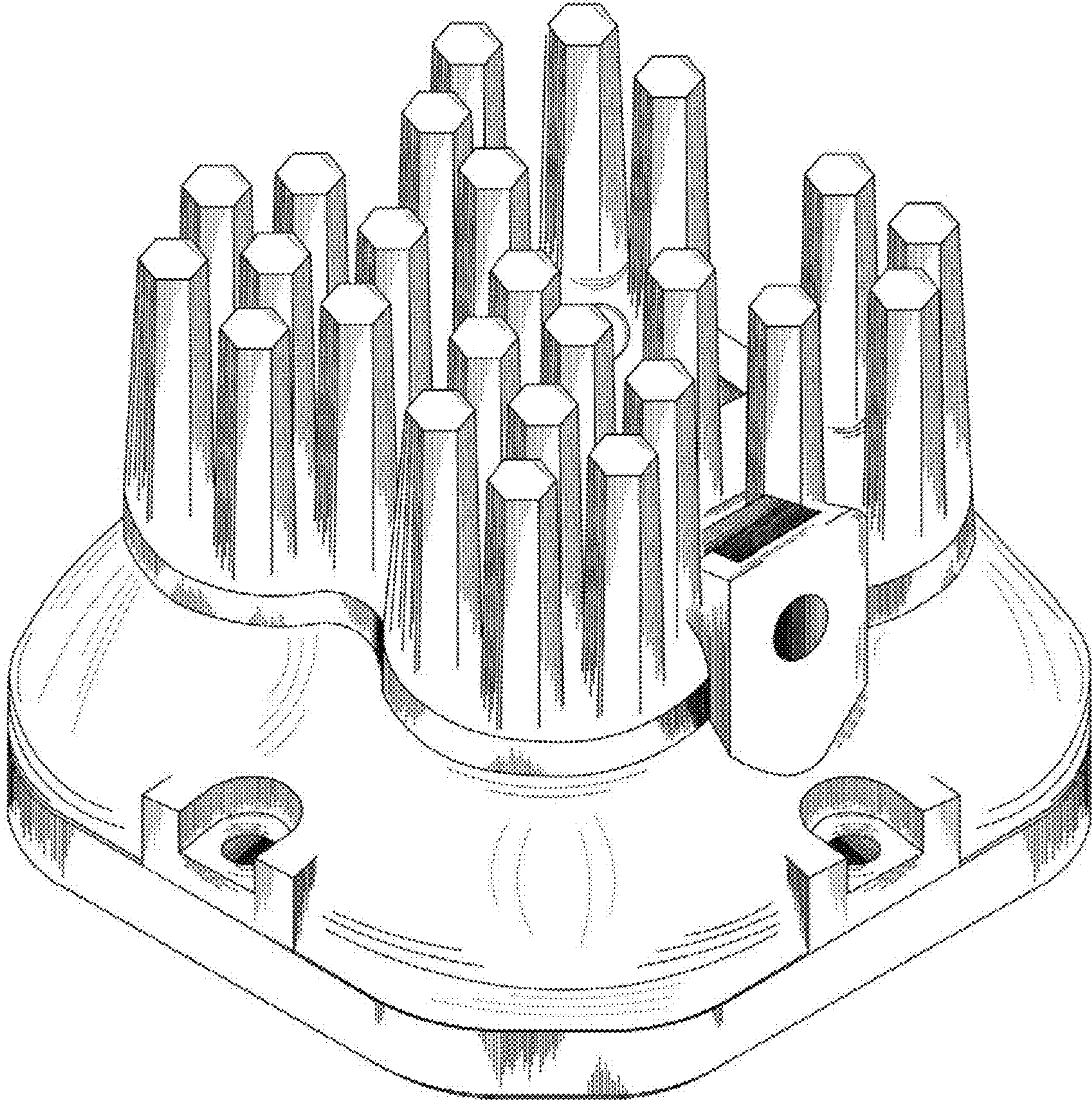


FIG. 2

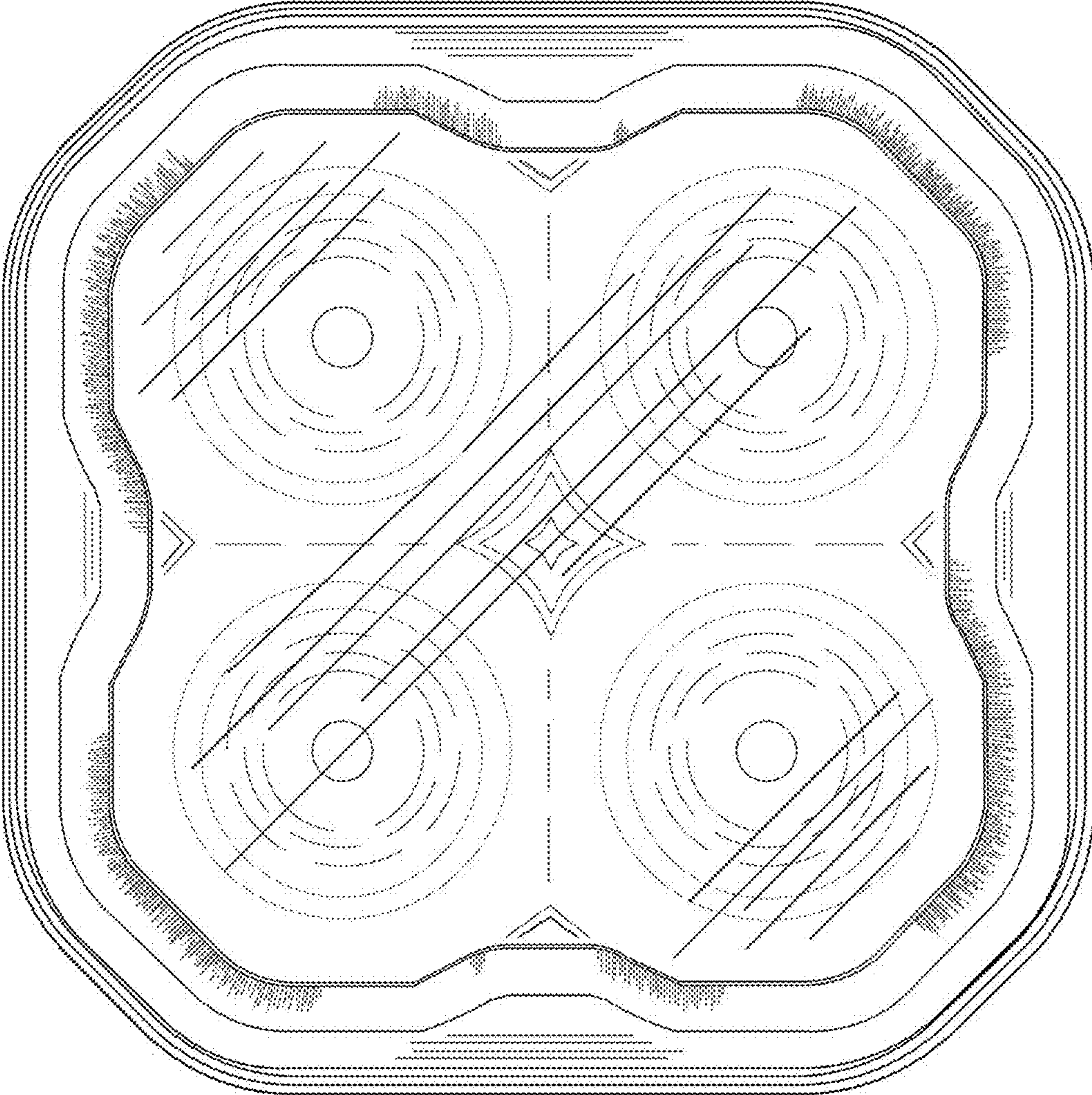


FIG. 3

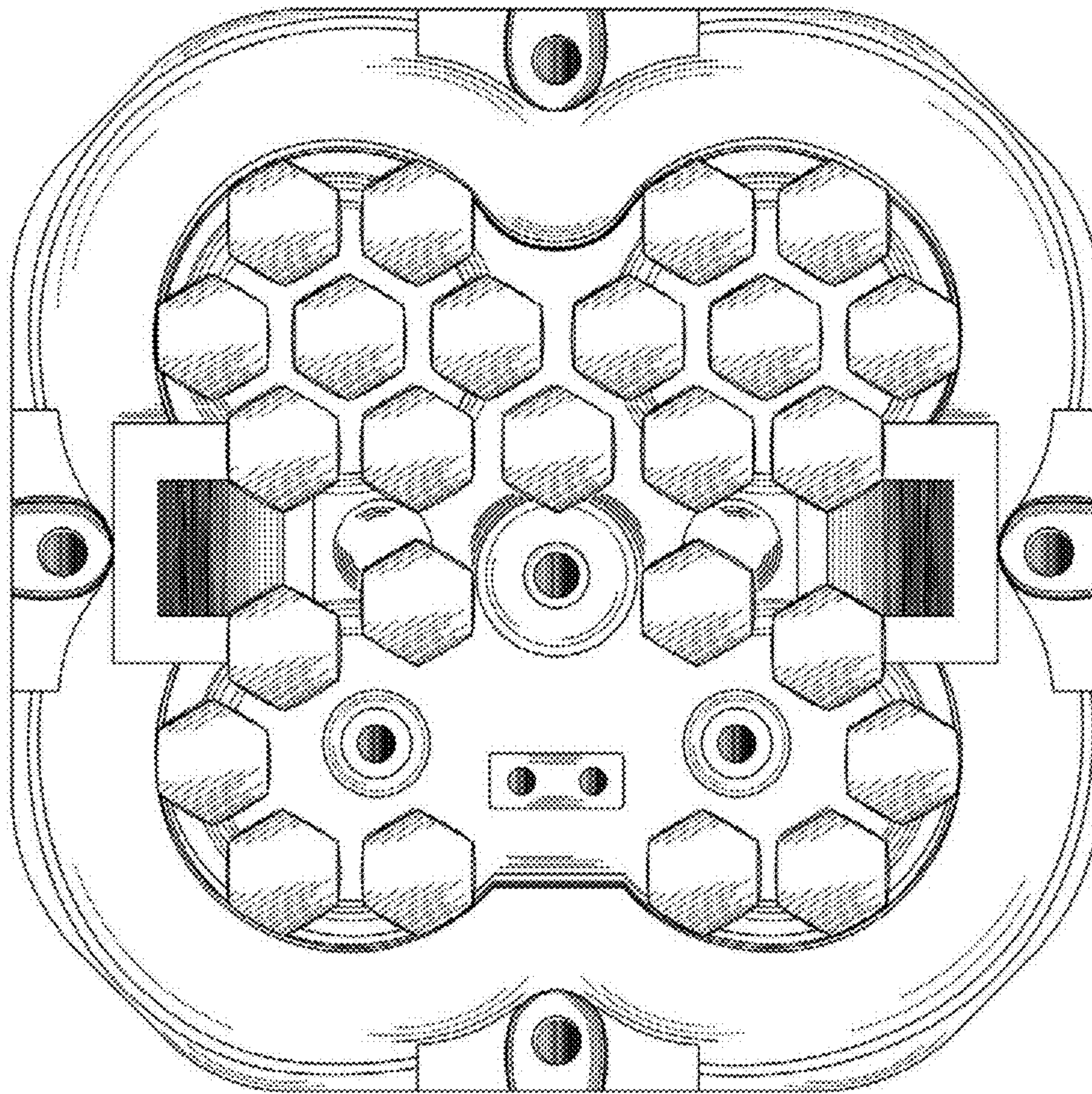


FIG. 4

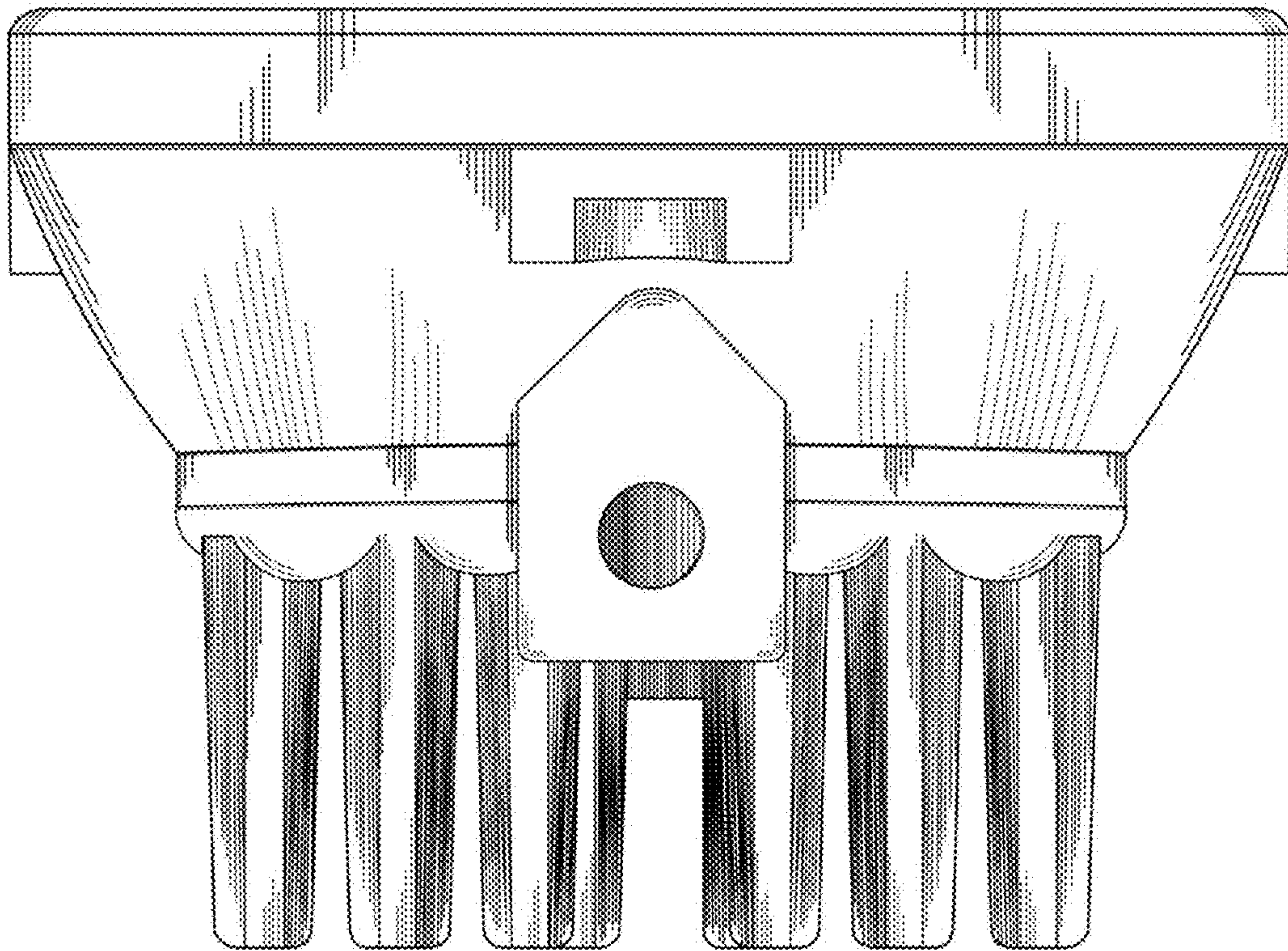


FIG. 5