



US00D936862S

(12) **United States Design Patent** (10) **Patent No.:** **US D936,862 S**
Kilian et al. (45) **Date of Patent:** **** Nov. 23, 2021**

(54) **ARCHITECTURAL FIXTURE**

(71) Applicant: **ARKTURA LLC**, Gardena, CA (US)

(72) Inventors: **Robert Kilian**, Venice, CA (US); **Chris Kabatsi**, Venice, CA (US); **Kevin Kane**, Los Angeles, CA (US); **Moti Tavassoli**, Los Angeles, CA (US); **John Johnston**, Beaumont, CA (US)

(73) Assignee: **ARKTURA LLC**, Gardena, CA (US)

(**) Term: **15 Years**

(21) Appl. No.: **29/736,970**

(22) Filed: **Jun. 4, 2020**

(51) **LOC (13) Cl.** **25-01**

(52) **U.S. Cl.**
USPC **D25/153**

(58) **Field of Classification Search**
USPC D25/152, 153, 156, 157, 58, 100
CPC E04C 2/38; E04C 2/00; E04C 2/30; E04C 2002/3477; E04C 2/324; E04C 2002/004; E04C 2002/005; E04C 2/42; E04C 2/422; E04B 2/72; E04B 2/74; E04B 2/7405; E04B 2103/00; E04B 1/3205; E04B 1/32; E04B 1/3211; E04B 1/342; E04B 2001/3223; E04B 2009/026; E04B 9/345; E04B 9/34; E04B 9/0457; E04B 9/0414; E04B 9/0407;

(Continued)

(56) **References Cited**

U.S. PATENT DOCUMENTS

2,689,026 A 9/1954 Zingone
D181,606 S * 12/1957 Reid D25/152
(Continued)

FOREIGN PATENT DOCUMENTS

EP 0210385 A2 4/1987
WO 2019183250 A1 9/2019

Primary Examiner — Doris Clark

(74) *Attorney, Agent, or Firm* — The Belles Group PC

(57) **CLAIM**

The ornamental design for an architectural fixture, as shown and described.

DESCRIPTION

FIG. 1 is a top, front, left perspective view of an architectural fixture showing our new design;

FIG. 2 is a front elevation view of the architectural fixture of FIG. 1;

FIG. 3 is a rear elevation view of the architectural fixture of FIG. 1;

FIG. 4 is a left side elevation view of the architectural fixture of FIG. 1;

FIG. 5 is a right side elevation view of the architectural fixture of FIG. 1;

FIG. 6 is a top plan view of the architectural fixture of FIG. 1;

FIG. 7 is a bottom plan view of the architectural fixture of FIG. 1;

FIG. 8 is a top, front, left perspective view of a second embodiment of an architectural fixture, showing our new design;

FIG. 9 is a front elevation view of the architectural fixture of FIG. 8;

FIG. 10 is a rear elevation view of the architectural fixture of FIG. 8;

FIG. 11 is a left side elevation view of the architectural fixture of FIG. 8;

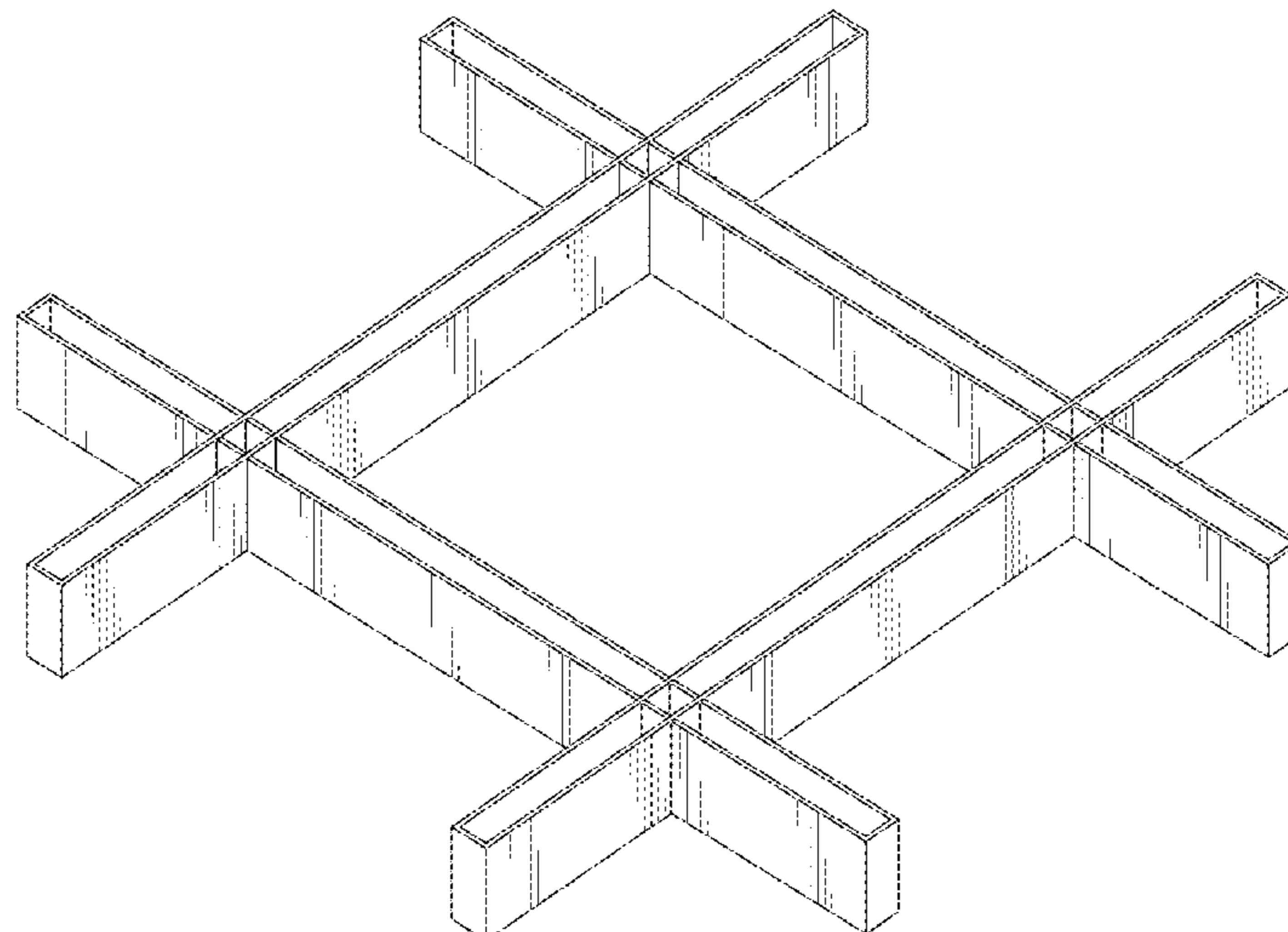
FIG. 12 is a right side elevation view of the architectural fixture of FIG. 8;

FIG. 13 is a top plan view of the architectural fixture of FIG. 8; and,

FIG. 14 is a bottom plan view of the architectural fixture of FIG. 8.

The claimed architectural fixture is used for architectural systems, acoustical systems, ceiling panels, walls panels, and other exterior and/or interior panel systems.

1 Claim, 10 Drawing Sheets



(58) **Field of Classification Search**

CPC E04B 9/0464; E04B 9/18; E04B 9/00;
E04B 9/36; E04B 9/363; E04B 9/366;
E04B 9/225

See application file for complete search history.

(56) **References Cited**

U.S. PATENT DOCUMENTS

4,034,534 A 7/1977 Taylor
D269,707 S * 7/1983 Thual D25/142
4,625,470 A 12/1986 Heritage
D374,727 S * 10/1996 Emanuele D25/152
D685,114 S * 6/2013 Damen D25/153
9,038,344 B2 * 5/2015 Mayer E04B 9/245
52/506.05
9,045,931 B2 6/2015 Damen et al.
D767,816 S 9/2016 Kilian et al.
D777,349 S 1/2017 Kilian et al.
D777,943 S 1/2017 Kilian et al.
D777,944 S 1/2017 Kilian et al.
D777,945 S * 1/2017 Kilian D25/58
D777,946 S * 1/2017 Kilian D25/58
10,808,402 B2 * 10/2020 Adams E04B 9/345
10,844,599 B2 * 11/2020 Rimmer E04B 9/225
2020/0109560 A1 4/2020 Headley et al.

* cited by examiner

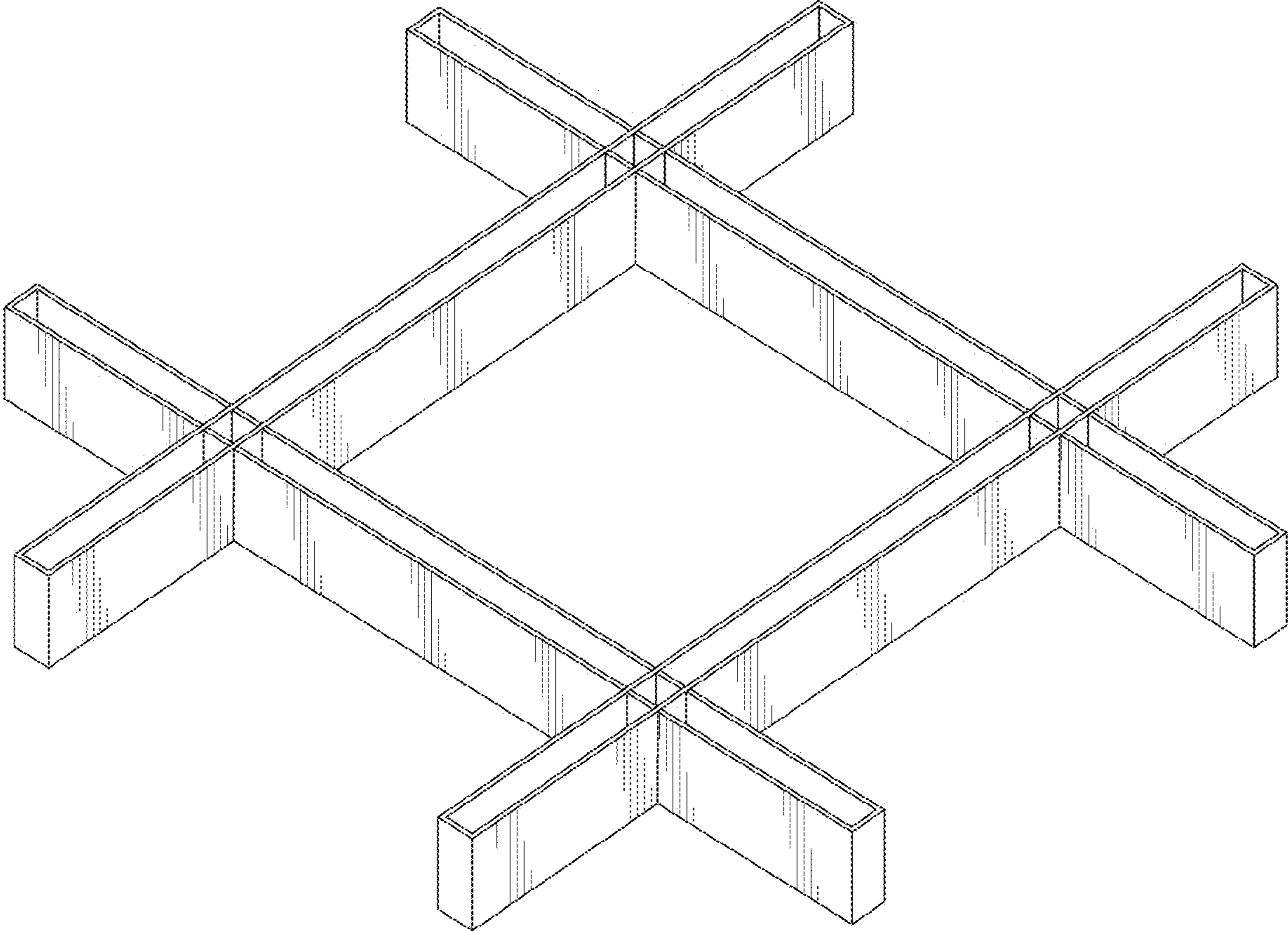


FIG. 1

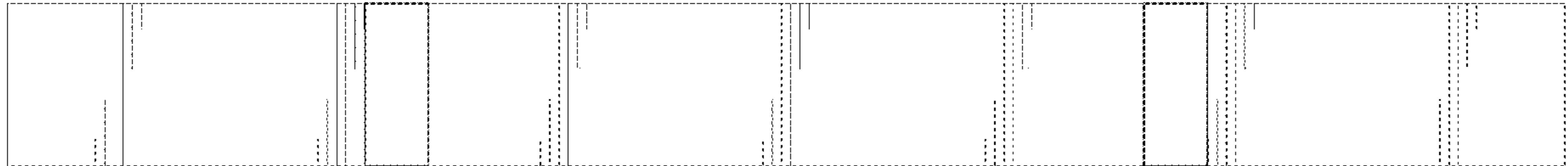


FIG. 2

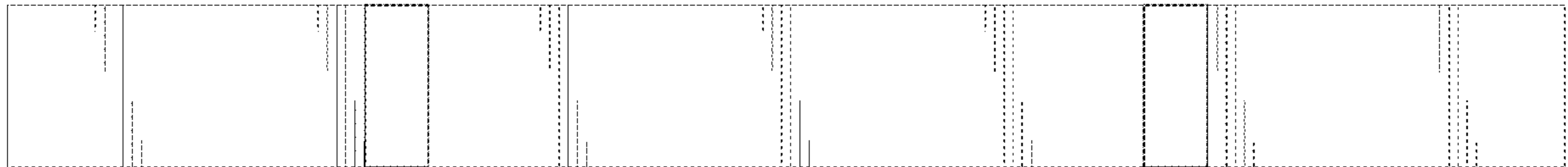


FIG. 3

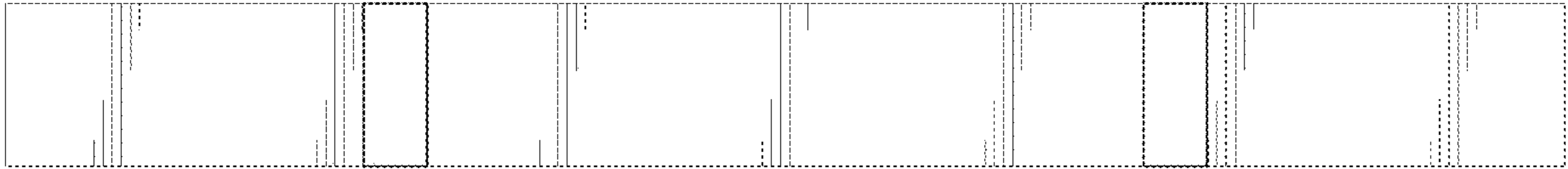


FIG. 4

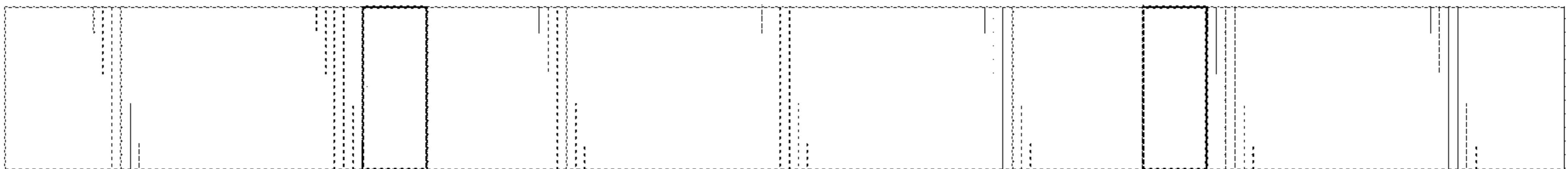


FIG. 5

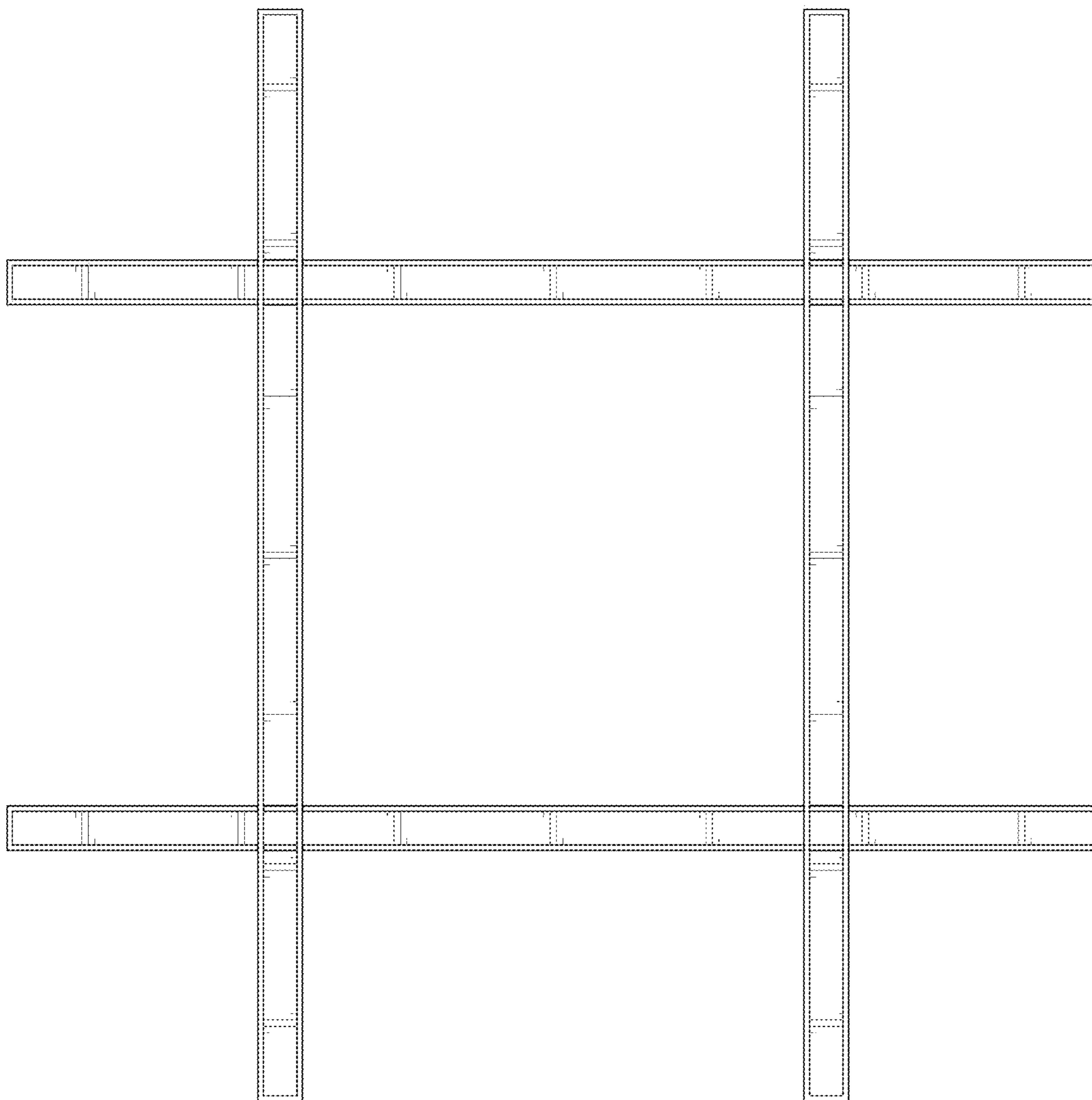


FIG. 6

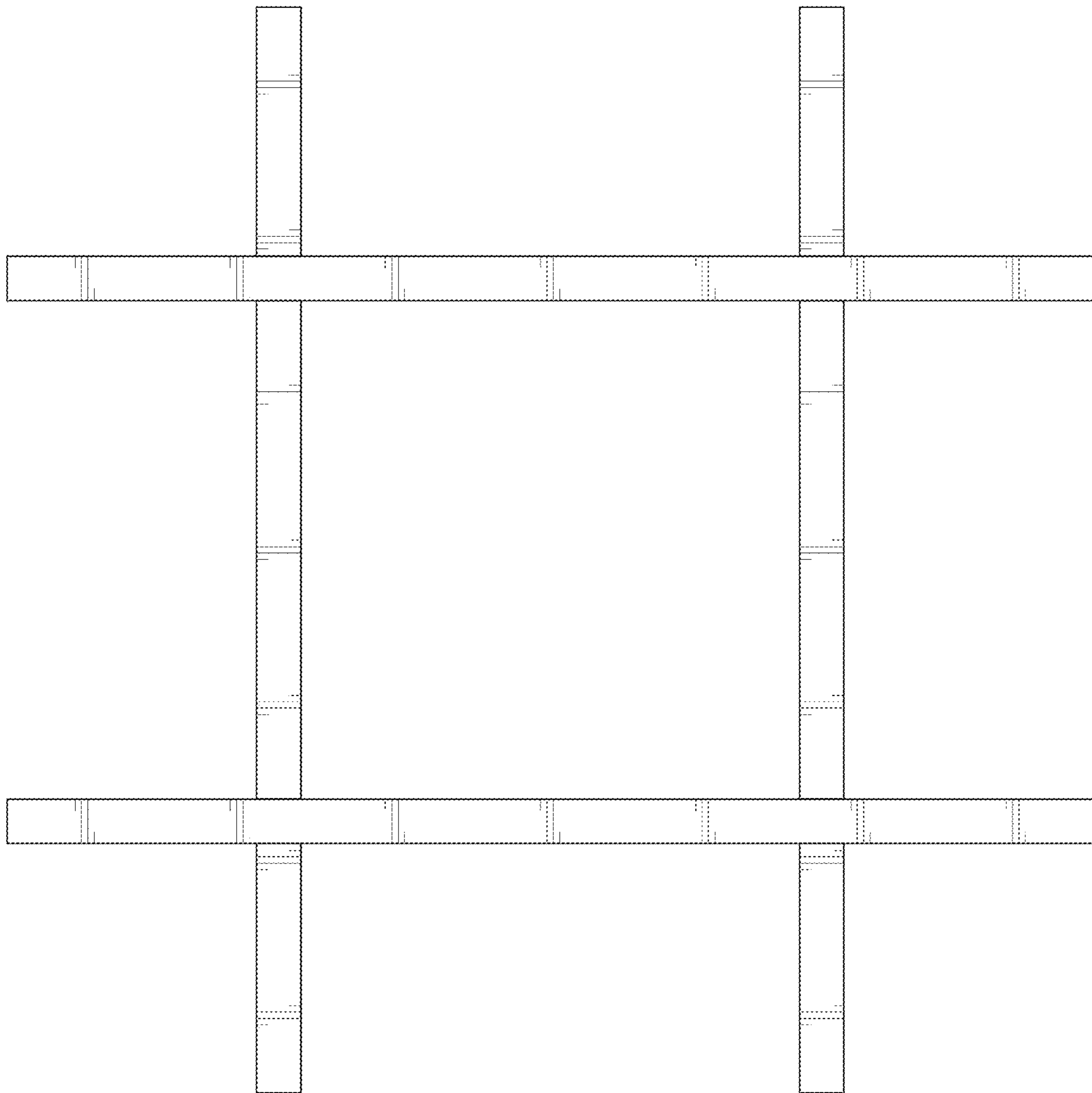


FIG. 7

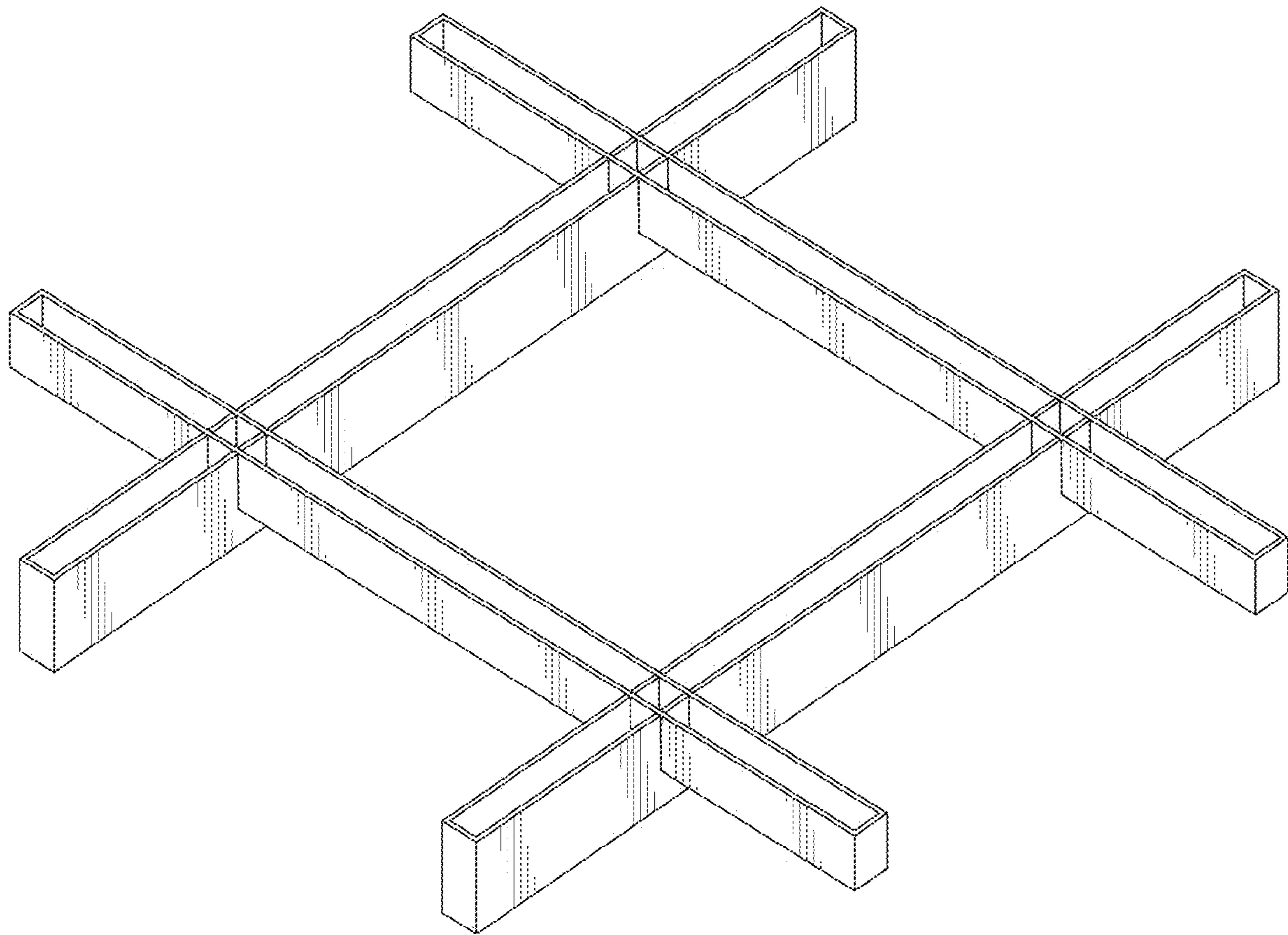


FIG. 8

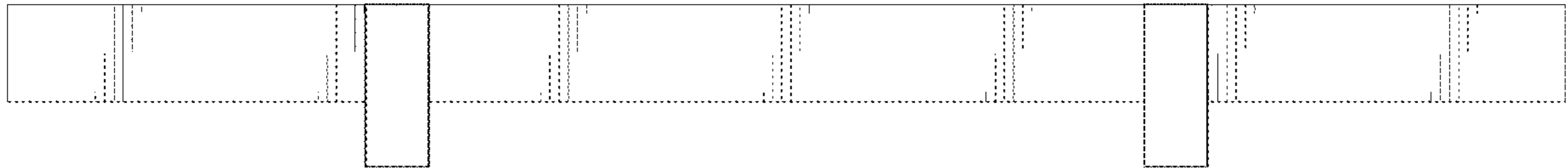


FIG. 9

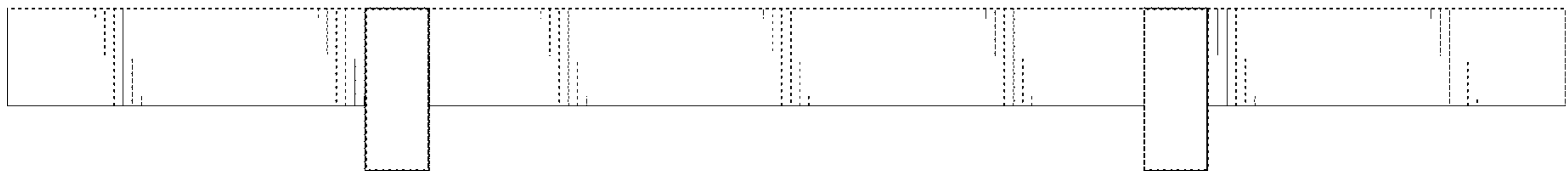


FIG. 10

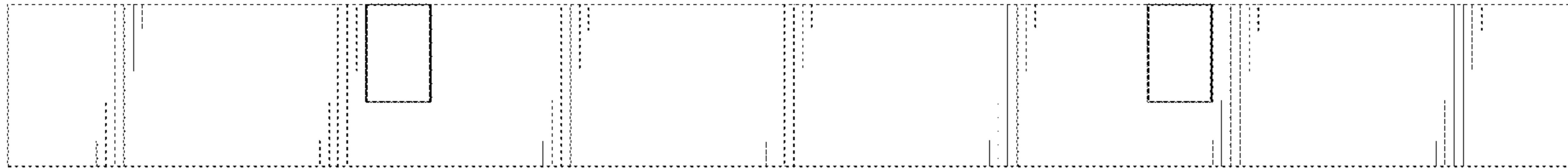


FIG. 11

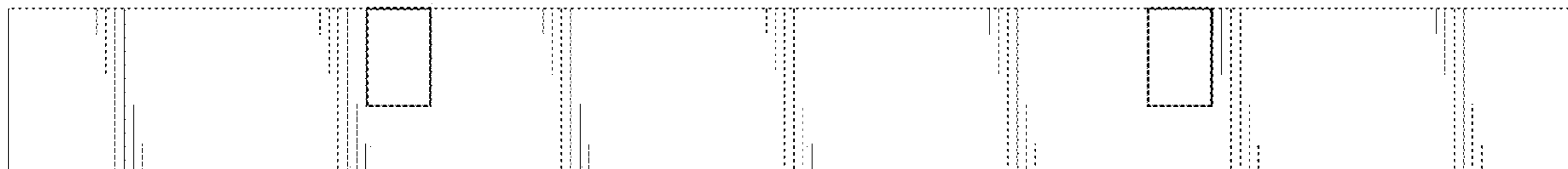


FIG. 12

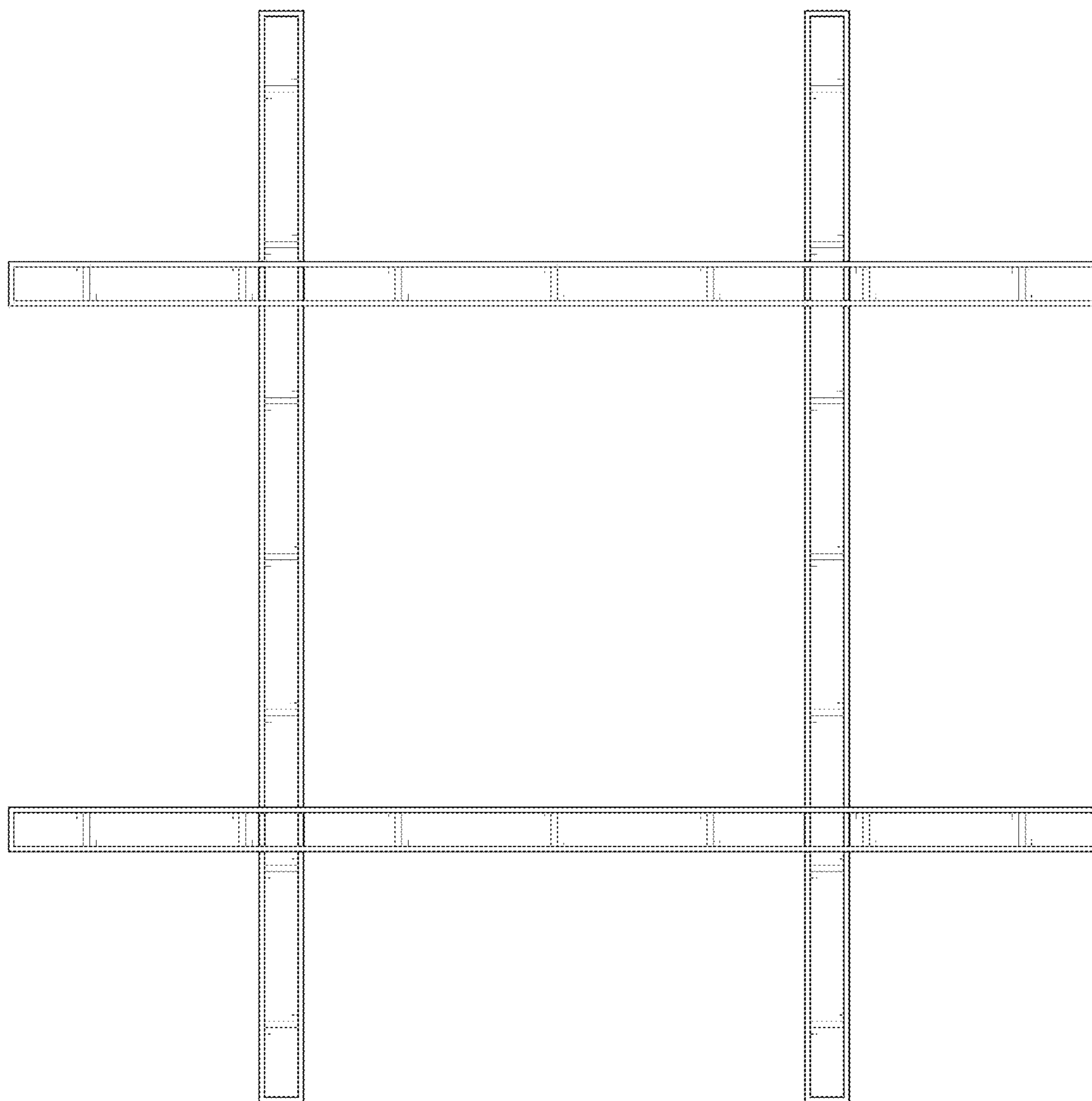


FIG. 13

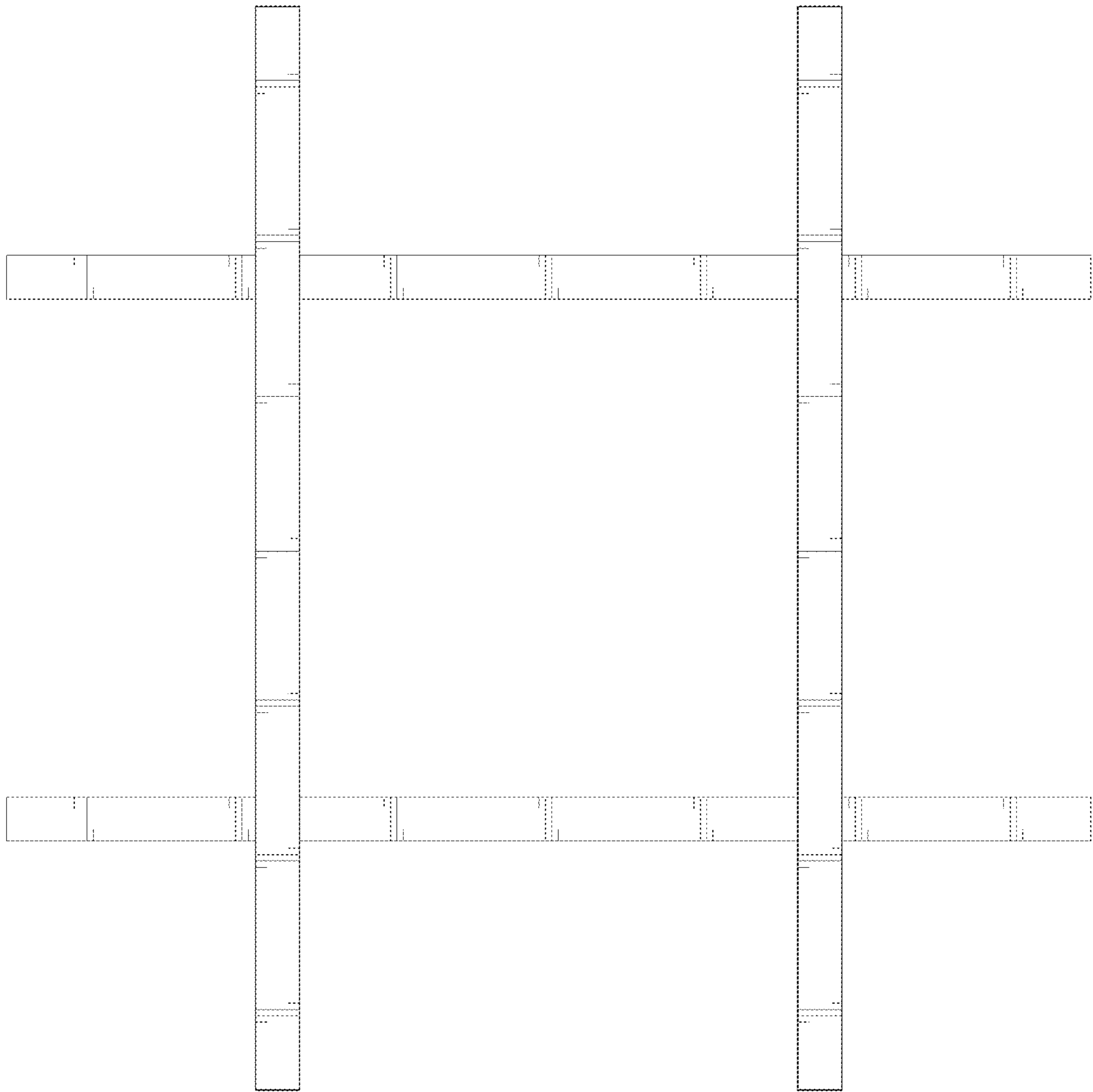


FIG. 14