



US00D936856S

(12) **United States Design Patent** (10) **Patent No.:** **US D936,856 S**  
**Hawkins et al.** (45) **Date of Patent:** **\*\* Nov. 23, 2021**

(54) **MONOLAYER**  
(71) Applicant: **Truvian Sciences, Inc.**, San Diego, CA (US)  
(72) Inventors: **Jeff Hawkins**, San Marcos, CA (US); **Dena Marrinucci**, San Diego, CA (US); **Ian Vanderklein**, La Jolla, CA (US); **Florence Ying Lee**, San Diego, CA (US); **Armando Tovar**, San Diego, CA (US); **Peter Delmenico**, Hampton (AU)  
(73) Assignee: **Truvian Sciences, Inc.**, San Diego, CA (US)  
(\*\*) Term: **15 Years**

D636,893 S \* 4/2011 Nicholls ..... D24/225  
D655,423 S \* 3/2012 Nielsen ..... D24/225  
D672,050 S 12/2012 Lee et al.  
D672,467 S 12/2012 Smith et al.  
D685,496 S 7/2013 Lee et al.  
D812,767 S \* 3/2018 Osmus ..... D24/225  
D893,047 S \* 8/2020 Wahlqvist ..... D24/224  
D898,222 S \* 10/2020 Chou ..... D24/225  
D915,618 S \* 4/2021 Heron ..... D24/226  
2006/0223166 A1 10/2006 Wilding et al.  
2007/0298433 A1 12/2007 Sia et al.  
2011/0014094 A1 1/2011 Kim et al.  
2011/0015545 A1\* 1/2011 Mondro ..... B01L 3/5027  
600/583  
2011/0176963 A1 7/2011 Kim et al.  
2012/0225446 A1 9/2012 Wimberger-Friedl et al.  
2016/0279640 A1\* 9/2016 Iqbal ..... B01L 3/502715  
2018/0161772 A1 6/2018 Rammohan et al.  
2018/0299380 A1\* 10/2018 Makino ..... B01L 3/502715  
2019/0118181 A1\* 4/2019 Olsson ..... G01N 33/6887

(21) Appl. No.: **29/735,093**  
(22) Filed: **May 18, 2020**

(Continued)  
*Primary Examiner* — Anhdao Doan  
(74) *Attorney, Agent, or Firm* — DLA Piper LLP (US)

**Related U.S. Application Data**

(63) Continuation of application No. PCT/US2020/019875, filed on Feb. 26, 2020.  
(51) **LOC (13) Cl.** ..... **24-01**  
(52) **U.S. Cl.**  
USPC ..... **D24/225**  
(58) **Field of Classification Search**  
USPC ..... D24/107, 186, 216, 219, 220, 221, D24/223–227, 231, 232; D10/81  
CPC ..... B01L 3/5027; B01L 3/50273; B01L 3/502738; B01L 2300/0819; B01L 2300/0822; B01L 2300/0829; B01L 2200/027; G01N 21/01; G01N 21/75  
See application file for complete search history.

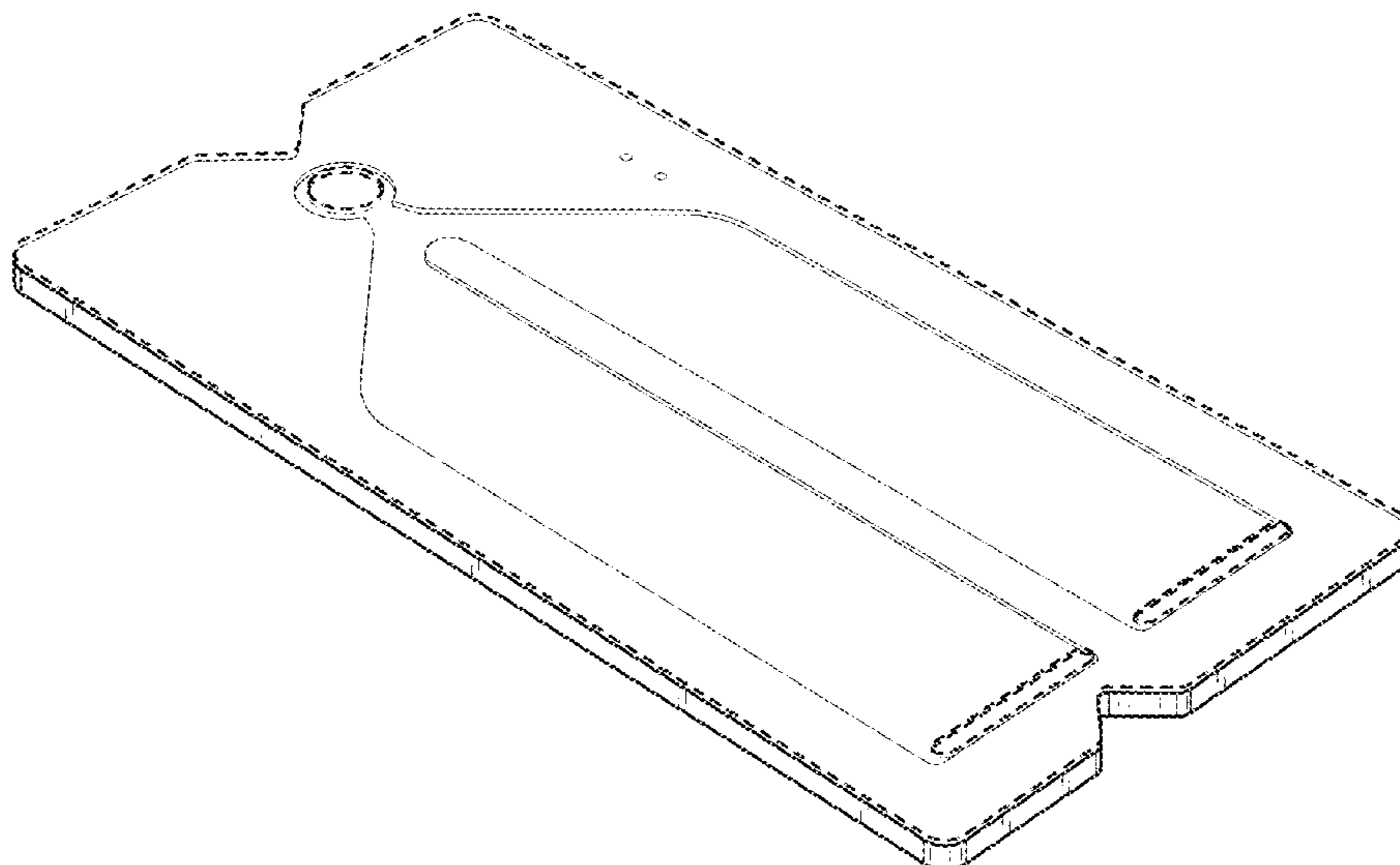
(56) **References Cited**  
U.S. PATENT DOCUMENTS

6,819,408 B1 11/2004 Scrivens et al.  
D564,667 S 3/2008 Bedingham et al.

(57) **CLAIM**  
We claim the ornamental design for a monolayer, as shown and described.

**DESCRIPTION**  
FIG. 1 is a front perspective view of a monolayer showing our new design;  
FIG. 2 is a top plan view thereof;  
FIG. 3 is a bottom plan view thereof;  
FIG. 4 is a right elevational view thereof;  
FIG. 5 is a left elevational view thereof;  
FIG. 6 is a rear elevational view thereof; and,  
FIG. 7 is a front elevational view thereof.  
The broken lines illustrate portions of the monolayer that form no part of the claimed design.

**1 Claim, 5 Drawing Sheets**



(56)

**References Cited**

U.S. PATENT DOCUMENTS

2020/0061930 A1 2/2020 Shartle et al.  
2020/0156068 A1 5/2020 Yu et al.  
2020/0217861 A1\* 7/2020 Lai ..... B01L 3/502761  
2021/0053048 A1 2/2021 Swanson et al.

\* cited by examiner

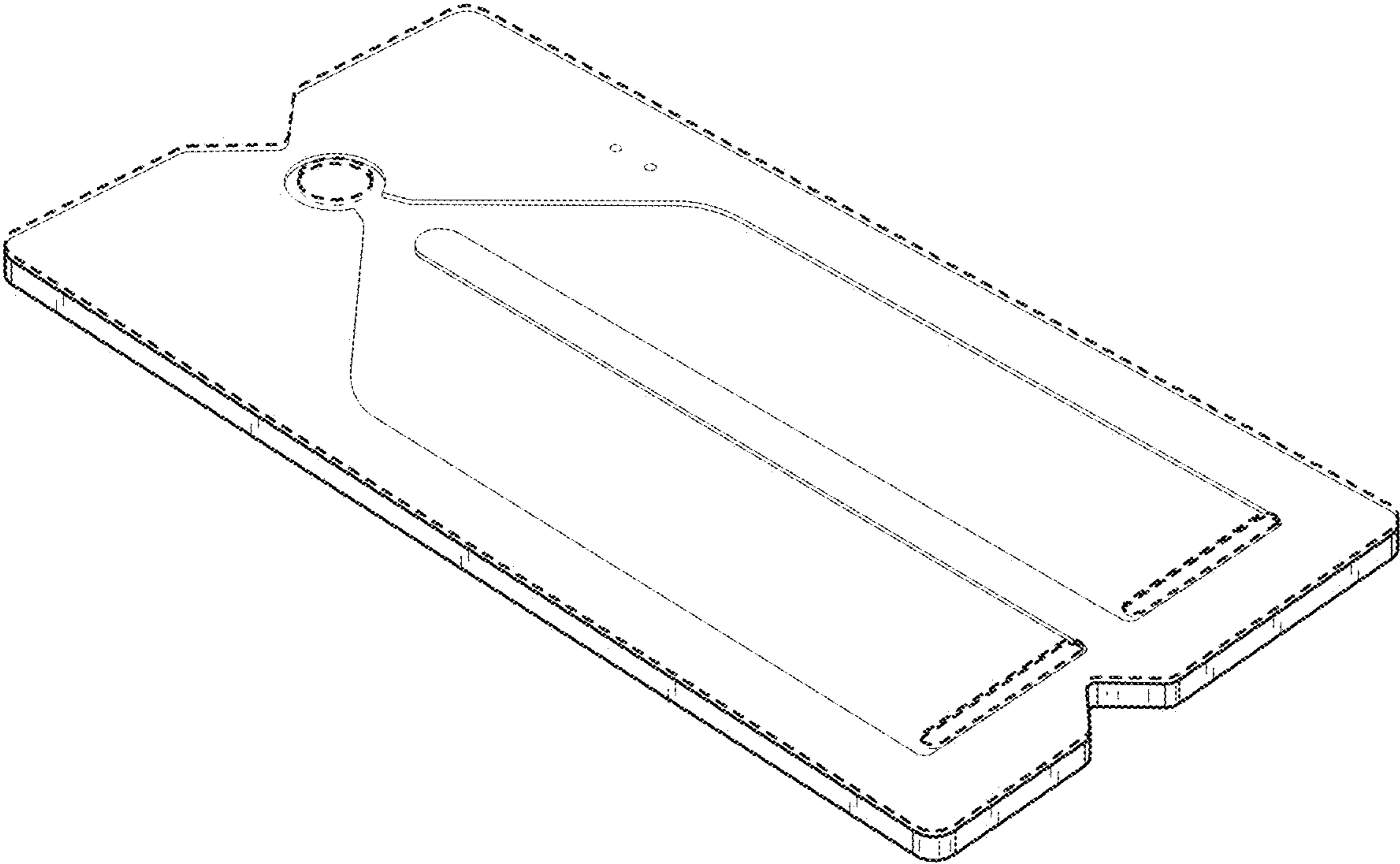


FIG. 1

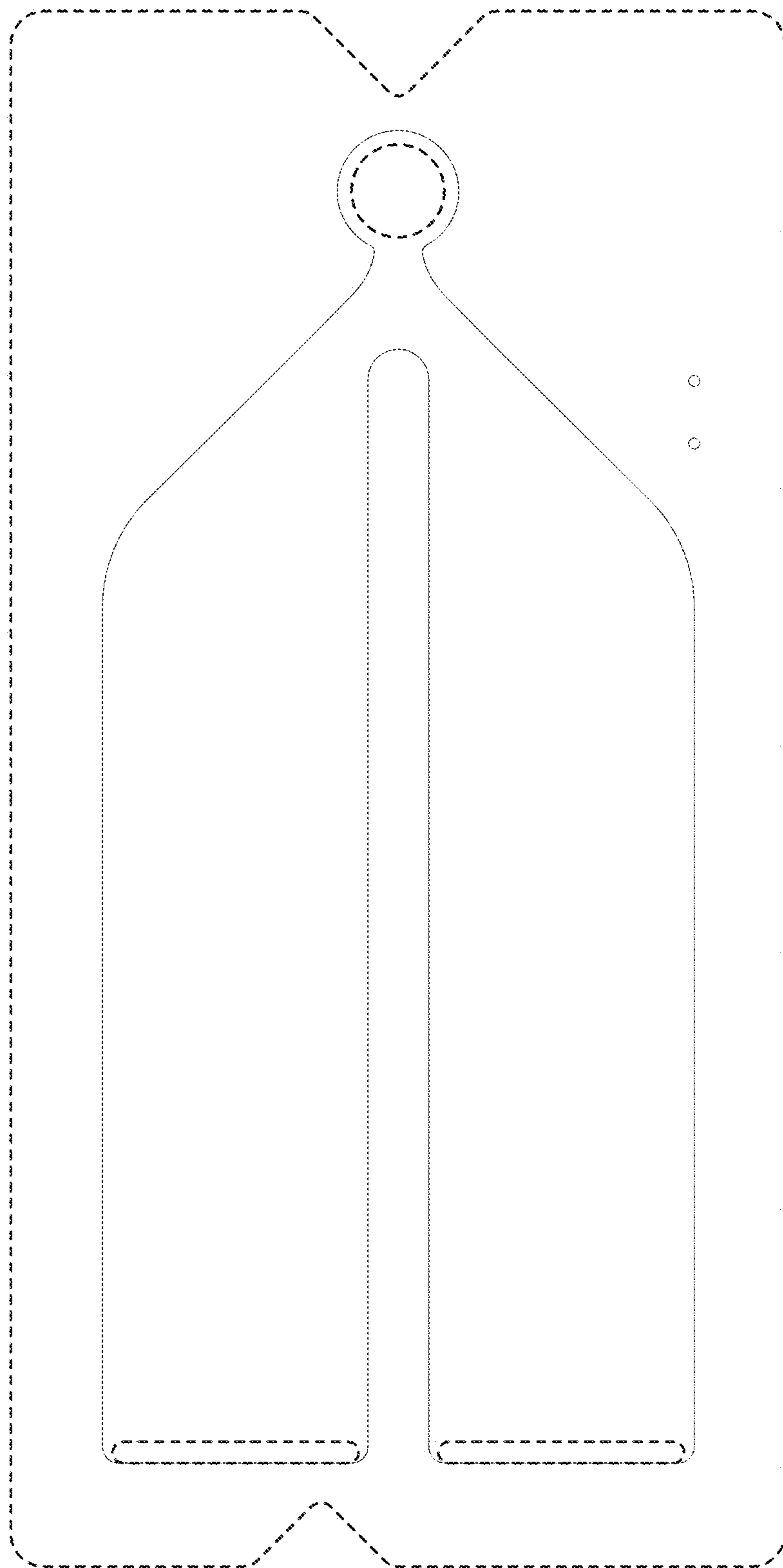


FIG. 2

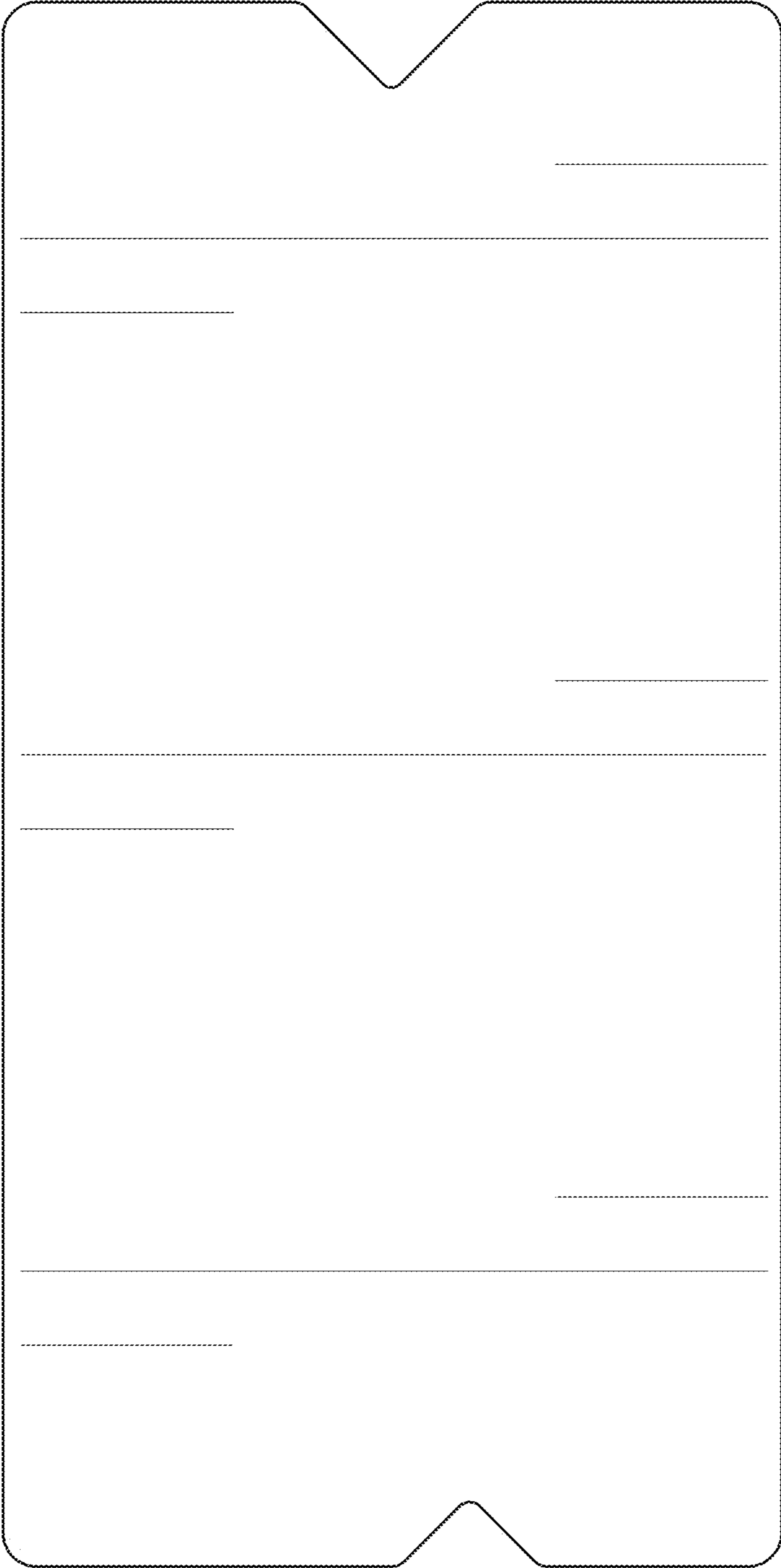


FIG. 3



FIG. 4



FIG. 5



FIG. 6

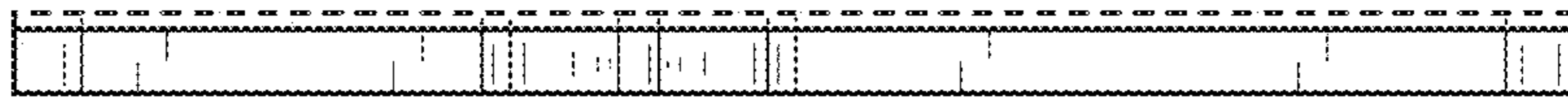


FIG. 7