



US00D936850S

(12) **United States Design Patent**  
**Chen**

(10) **Patent No.:** **US D936,850 S**

(45) **Date of Patent:** **\*\* Nov. 23, 2021**

(54) **TRANSCUTANEOUS ELECTRICAL NERVE  
STIMULATION UNIT**

(71) Applicant: **Changsha Yuwen Network  
Technology Co., Ltd., Changsha (CN)**

(72) Inventor: **Junyuan Chen, Changsha (CN)**

(73) Assignee: **CHANGSHA YUWEN NETWORK  
TECHNOLOGY CO., LTD., Changsha  
(CN)**

(\*\*) Term: **15 Years**

(21) Appl. No.: **29/738,627**

(22) Filed: **Jun. 18, 2020**

(51) **LOC (13) Cl.** ..... **28-03**

(52) **U.S. Cl.**  
USPC ..... **D24/200**

(58) **Field of Classification Search**  
USPC ..... D24/200, 215, 185–186, 165  
CPC ..... A61N 1/36003; A61N 1/36014; A61N  
1/36017; A61N 1/36021; A61N 1/36;  
A61N 1/0456; A61N 1/36071  
See application file for complete search history.

(56) **References Cited**

**U.S. PATENT DOCUMENTS**

D411,887 S \* 7/1999 Agarwala ..... D24/200  
D412,364 S \* 7/1999 Agarwala ..... D24/200  
6,625,494 B2 \* 9/2003 Fang ..... A61N 1/36003  
607/48

9,649,491 B2 \* 5/2017 Li ..... A61N 1/3603  
D813,407 S \* 3/2018 Chen ..... D24/215  
D830,565 S \* 10/2018 Xu ..... D24/200  
D836,789 S \* 12/2018 Jiang ..... D24/200  
D861,905 S \* 10/2019 Ho ..... D24/200  
D862,716 S \* 10/2019 Cryan ..... D24/200  
D879,983 S \* 3/2020 Wang ..... D24/200

**FOREIGN PATENT DOCUMENTS**

CN 305055329 \* 9/2018

\* cited by examiner

*Primary Examiner* — Wan Laymon

(74) *Attorney, Agent, or Firm* — IPro, PLLC

(57) **CLAIM**

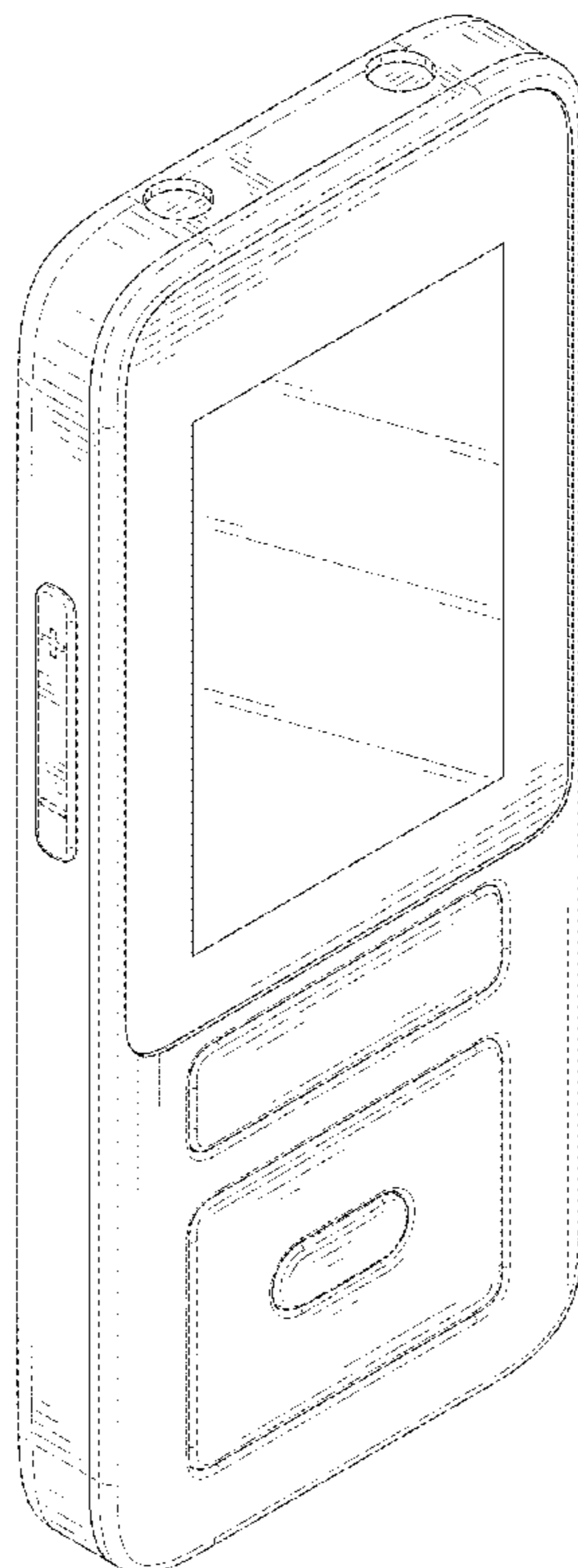
The ornamental design for a transcutaneous electrical nerve stimulation unit, as shown and described.

**DESCRIPTION**

FIG. 1 is a front side perspective view of a transcutaneous electrical nerve stimulation unit showing my new design; FIG. 2 is a rear side perspective view thereof; FIG. 3 is a front view thereof; FIG. 4 is a rear view thereof; FIG. 5 is a left side view thereof; FIG. 6 is a right side view thereof; FIG. 7 is a top view thereof; and, FIG. 8 is a bottom view thereof.

The broken line shown in the drawings is for the purpose of illustrating portions of the transcutaneous electrical nerve stimulation unit and forms no part of the claimed design.

**1 Claim, 8 Drawing Sheets**



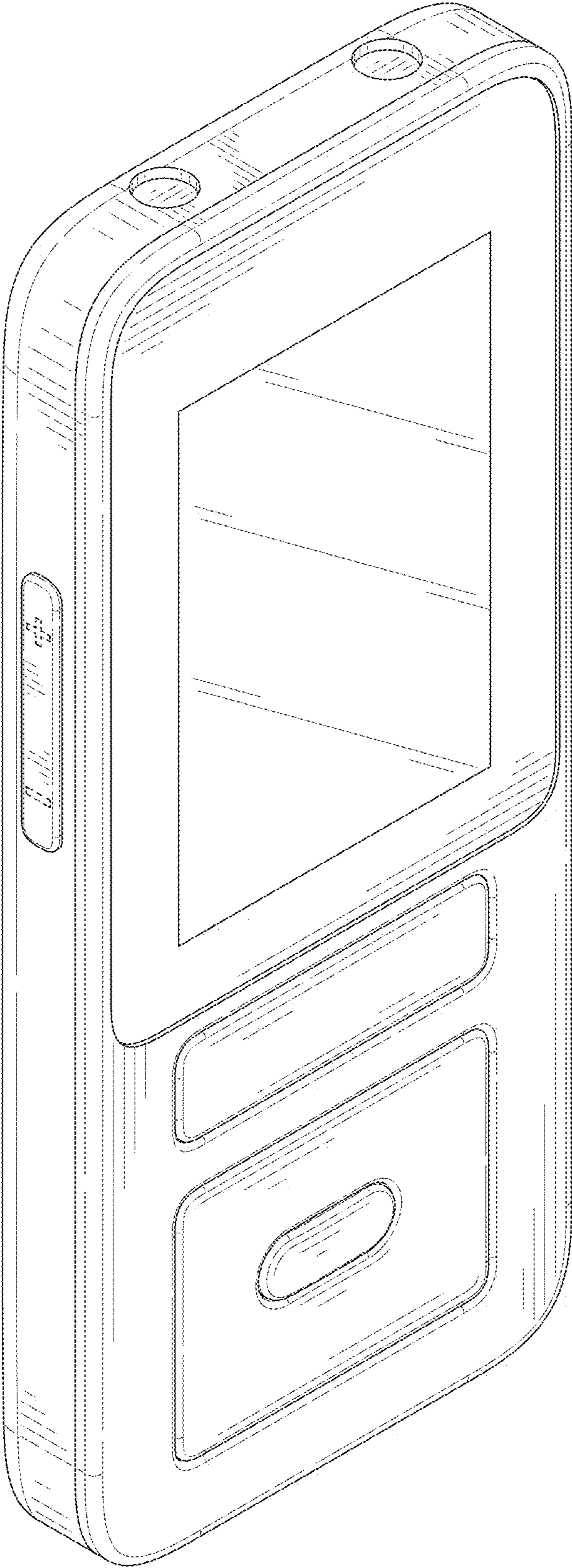


FIG. 1

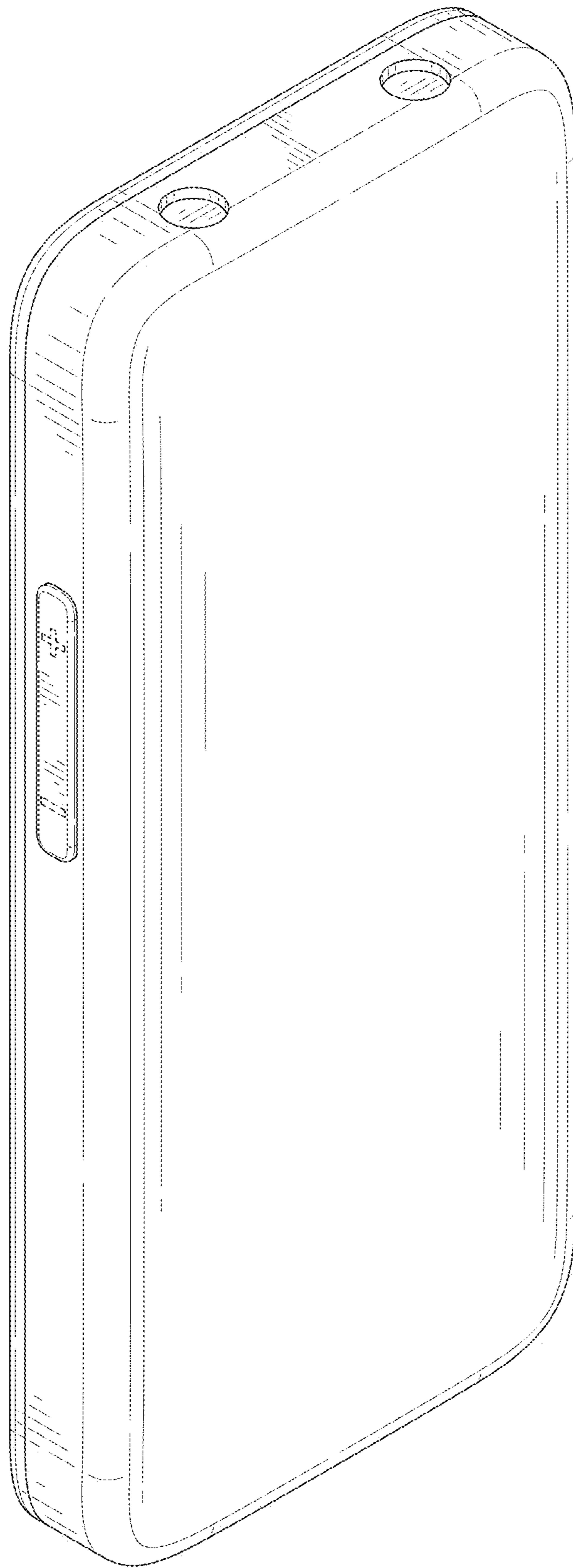


FIG. 2

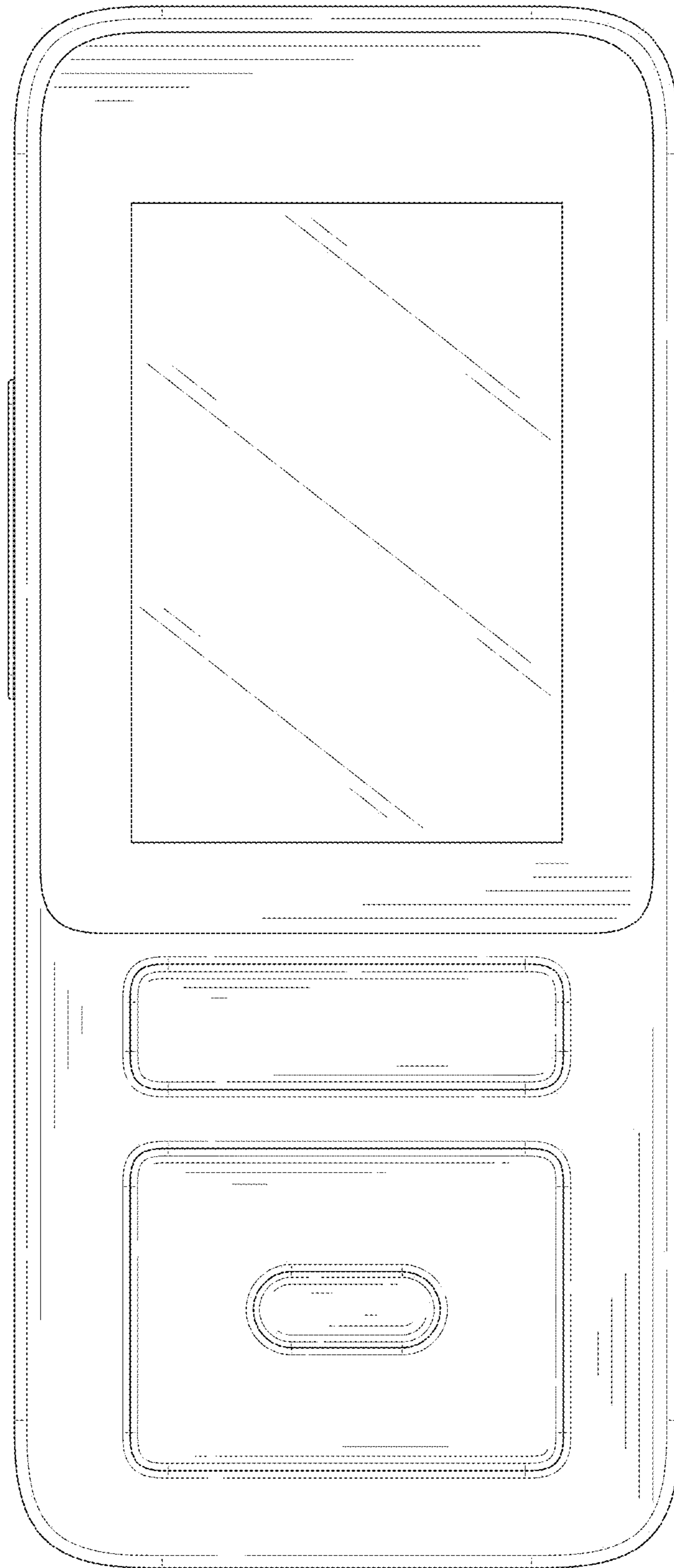


FIG. 3

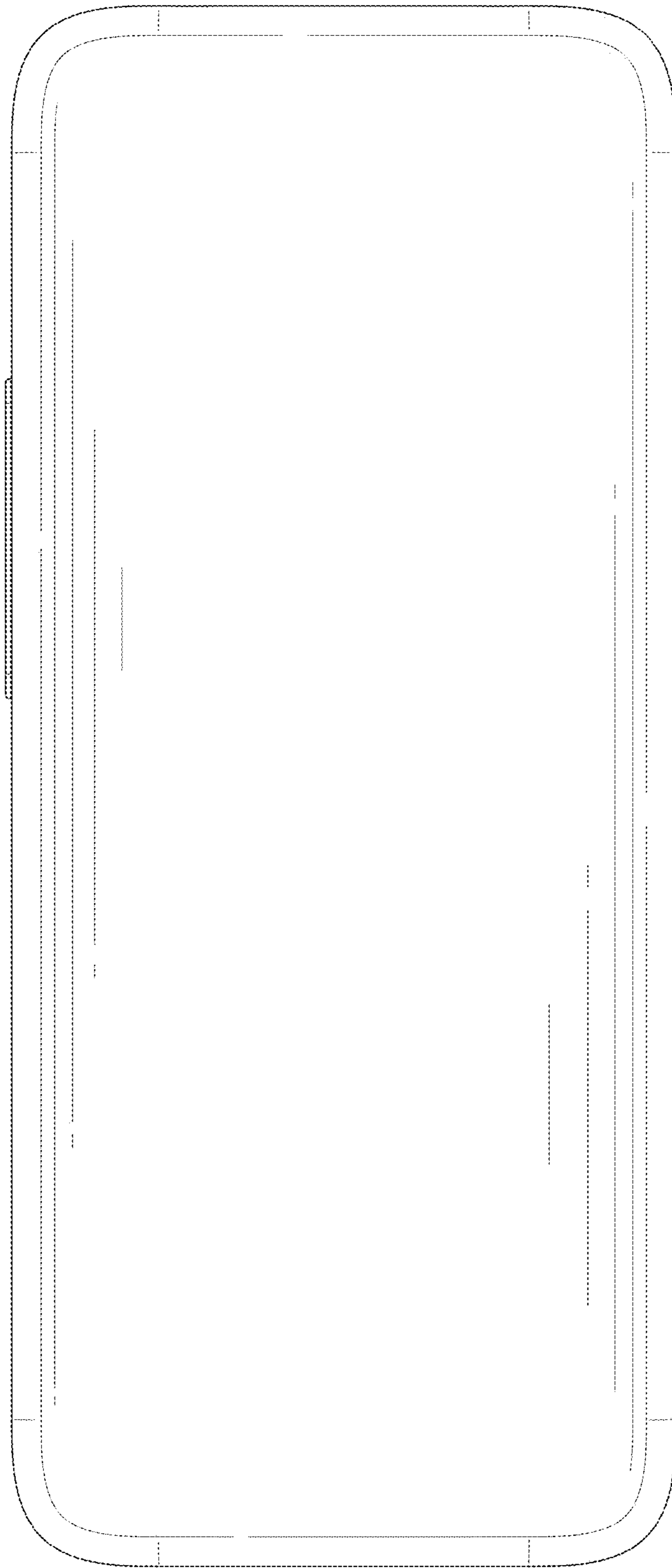


FIG. 4



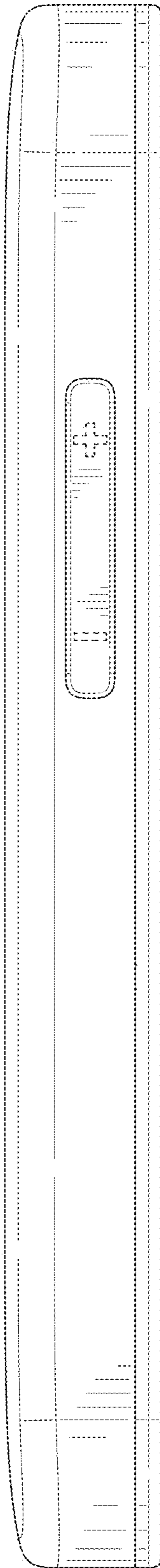


FIG. 5

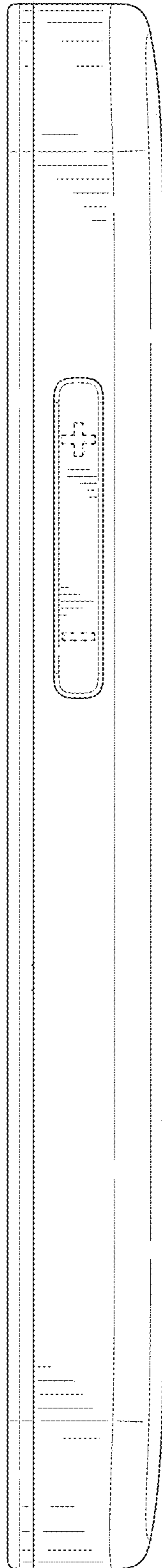


FIG. 6

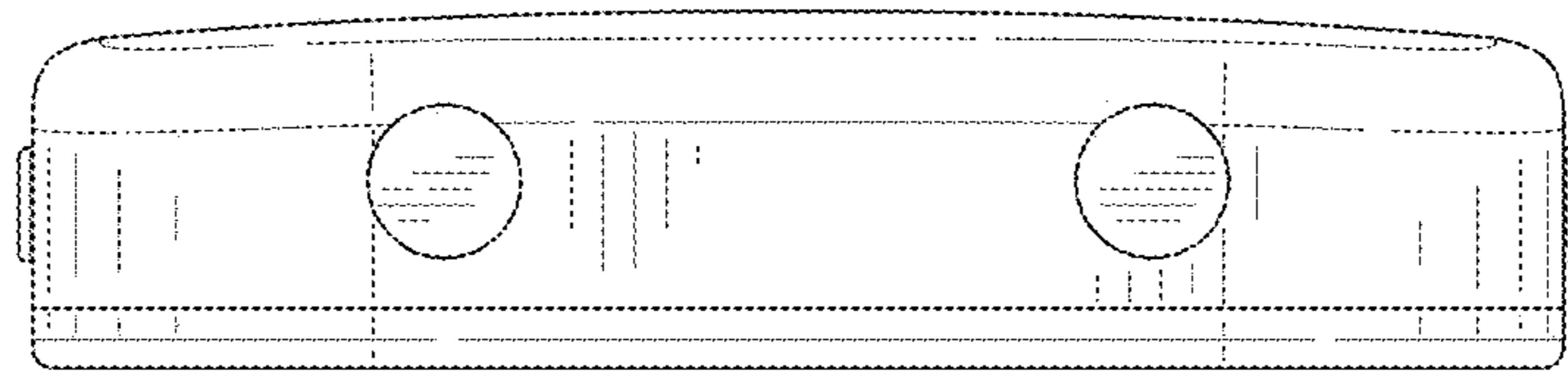


FIG. 7



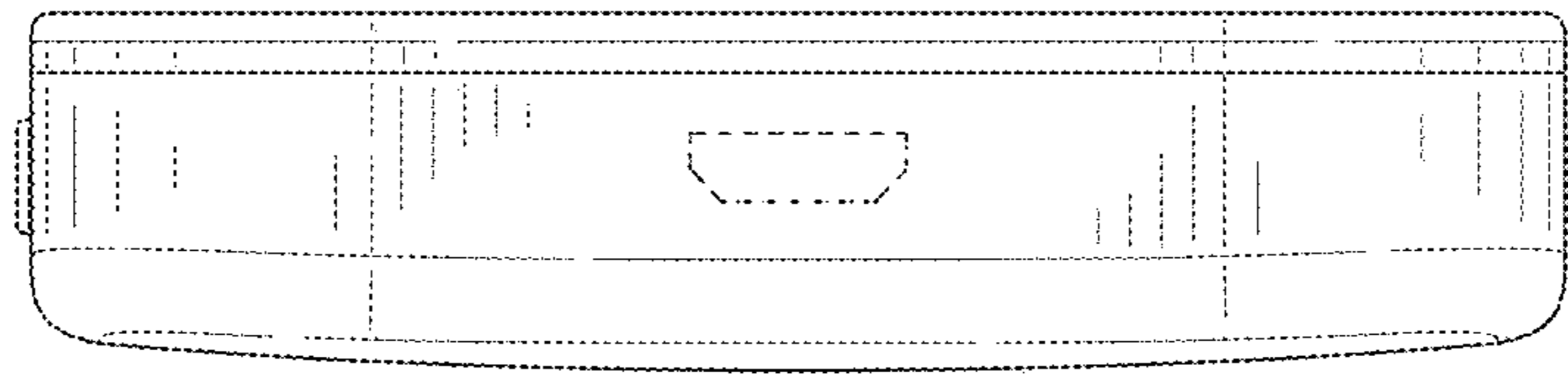


FIG. 8