



US00D936849S

(12) **United States Design Patent** (10) **Patent No.:** **US D936,849 S**
Chen et al. (45) **Date of Patent:** **** Nov. 23, 2021**

(54) **BELLY FIT**
(71) Applicant: **Nanjing Shousheng Information Technology Co., Ltd, Nanjing (CN)**
(72) Inventors: **Wenqian Chen, Nanjing (CN); Zhijun Ai, Nanjing (CN); Wei Qin, Nanjing (CN); Jing Cui, Nanjing (CN)**

D484,605 S * 12/2003 Cook D24/200
D495,963 S * 9/2004 Gist D10/46
D708,756 S * 7/2014 Marshall D24/215
D850,638 S * 6/2019 Cha D24/200
D912,263 S * 3/2021 Chen D24/214
2006/0212100 A1* 9/2006 Wu A61N 5/0619
607/93
2009/0048557 A1* 2/2009 Yeshurun A61B 18/203
604/20

(73) Assignee: **Nanjing Shousheng Information Technology Co., Ltd, Nanjing (CN)**

OTHER PUBLICATIONS

(**) Term: **15 Years**

Marvoto Belly Fit Review—A Bit Lean. Jul. 6, 2020. Retrieved on Jun. 9, 2021. Retrieved from the Internet: <https://borngeekblog.com/marvoto-belly-fit-review-a-bit-lean/>.*

(21) Appl. No.: **29/729,596**

* cited by examiner

(22) Filed: **Mar. 27, 2020**

Primary Examiner — Wan Laymon

(30) **Foreign Application Priority Data**

(74) *Attorney, Agent, or Firm* — Bayramoglu Law Offices LLC

Oct. 8, 2019 (CN) 201930546259.X

(51) **LOC (13) Cl.** **28-03**

(52) **U.S. Cl.**
USPC **D24/200**

(58) **Field of Classification Search**
USPC D24/200, 214–215; D28/44.1; D10/46, D10/73

CPC A61H 7/001; A61H 7/003; A61H 2201/1253; A61H 2205/083; A61N 5/0613; A61N 5/0616; A61N 2005/0644; G01B 3/24; G01B 3/18

See application file for complete search history.

(56) **References Cited**

U.S. PATENT DOCUMENTS

D442,694 S * 5/2001 Cheng D24/200
D481,463 S * 10/2003 Cook D24/200

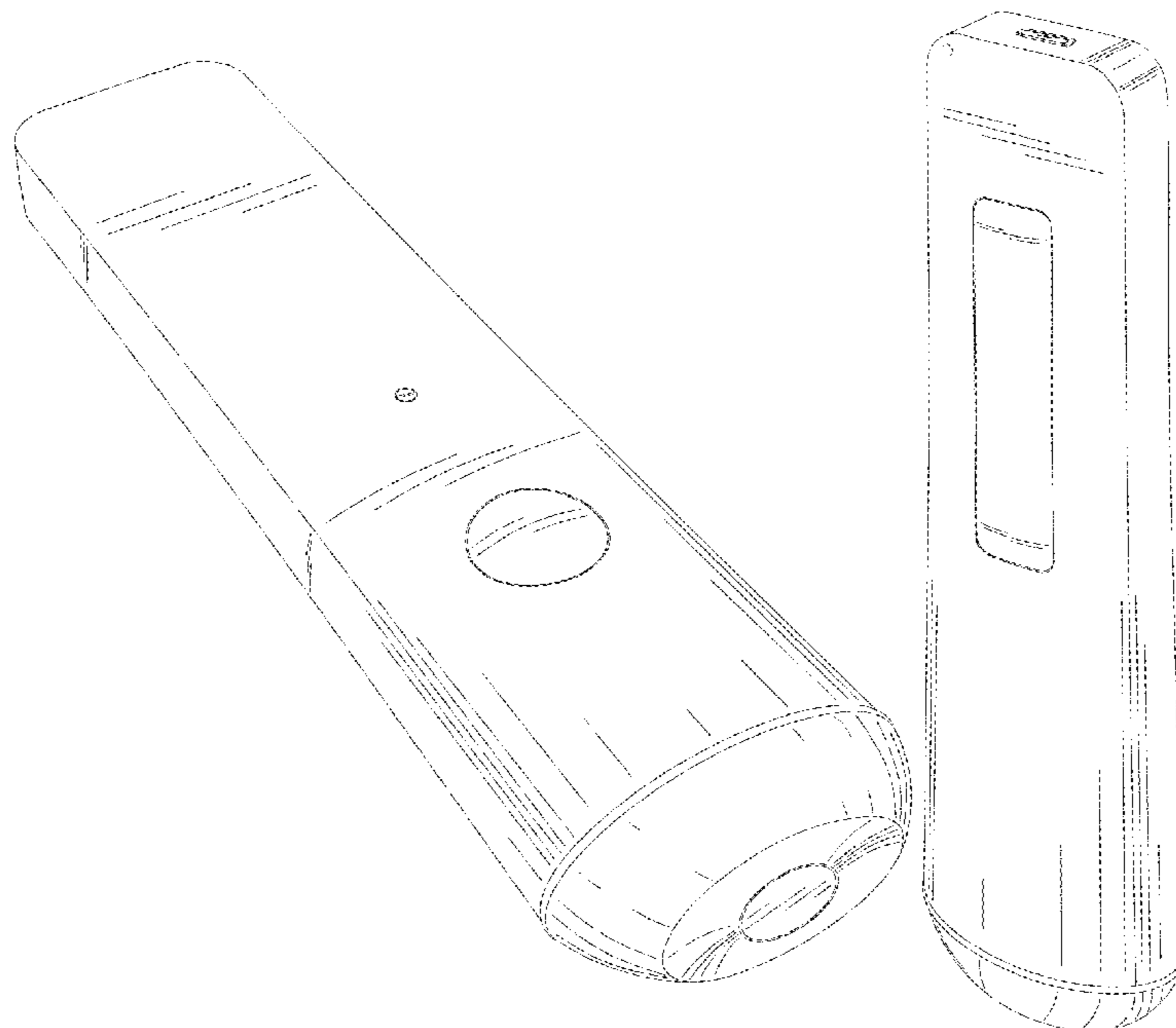
(57) **CLAIM**

The ornamental design for a belly fit, as shown and described.

DESCRIPTION

FIG. 1 is a front and bottom perspective view of a belly fit showing our new design;
FIG. 2 is a reduced rear and top perspective view thereof;
FIG. 3 is a rear elevational view thereof;
FIG. 4 is a front elevational view thereof;
FIG. 5 is an enlarged bottom plan view thereof;
FIG. 6 is an enlarged top plan view thereof;
FIG. 7 is an enlarged right side elevational view thereof; and,
FIG. 8 is an enlarged left side elevational view thereof.
The broken lines shown in the drawings depict portions of the belly fit that form no part of the claimed design.

1 Claim, 8 Drawing Sheets



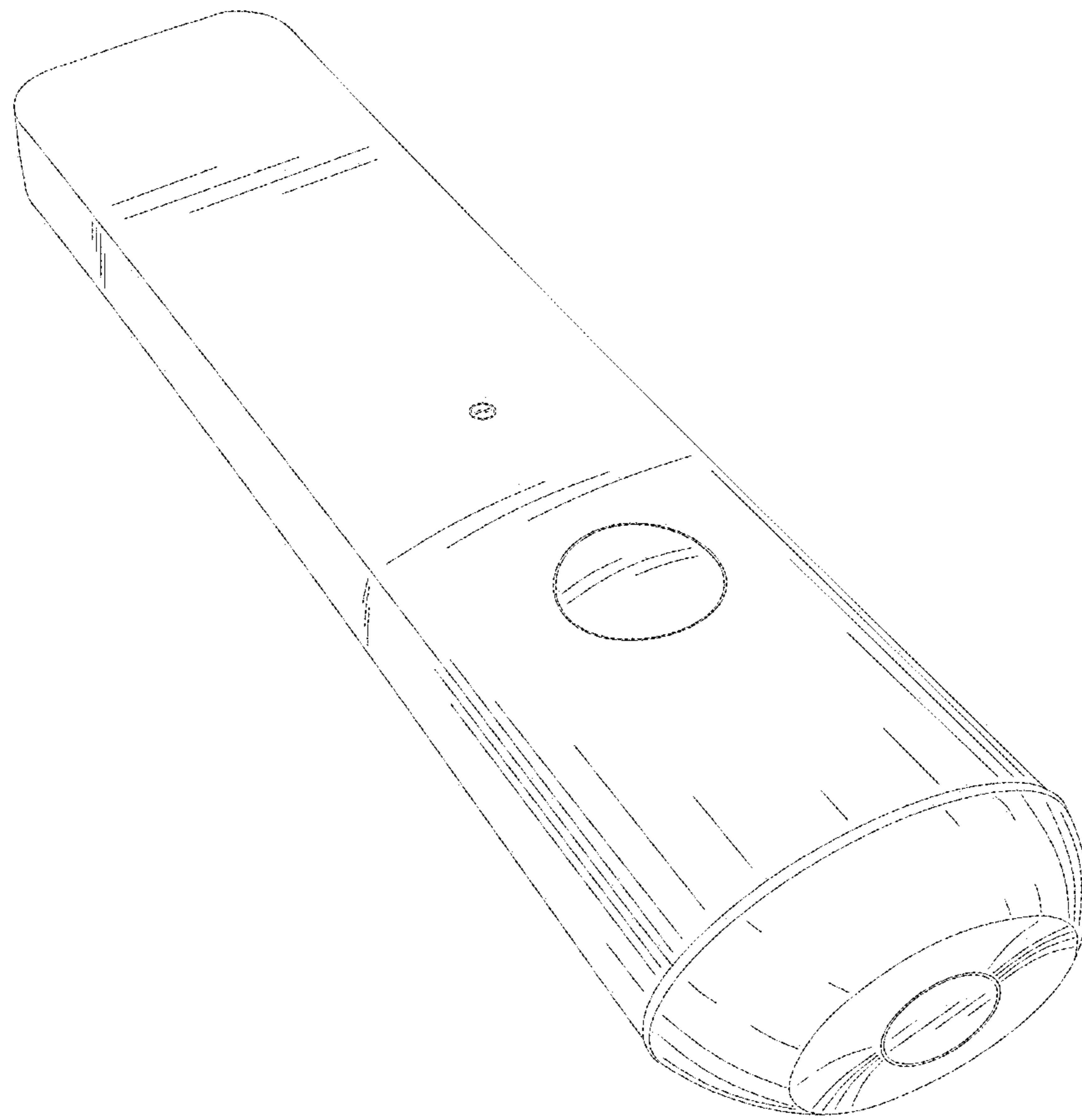


FIG. 1

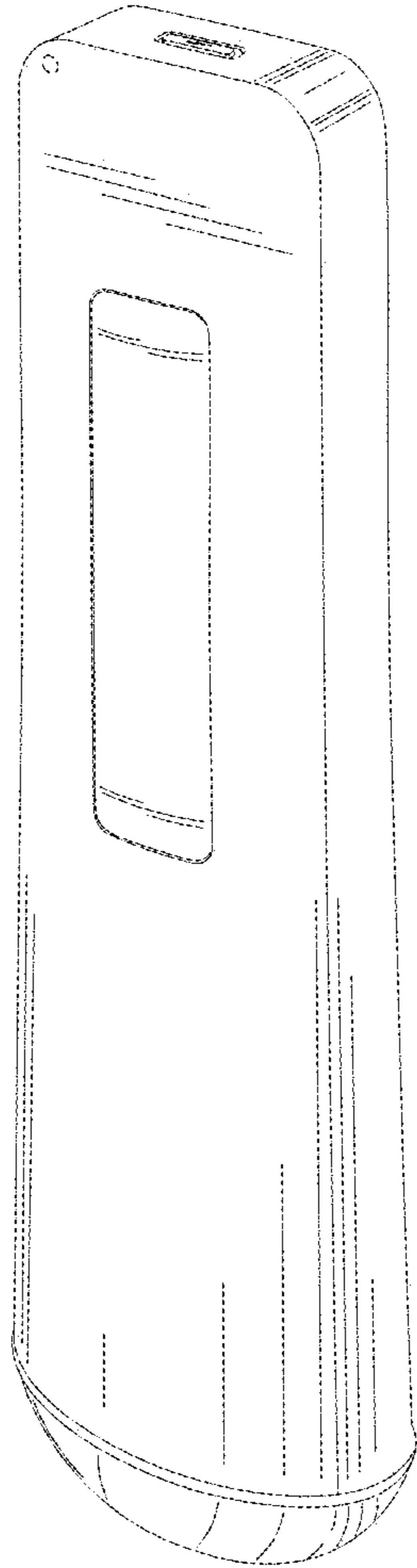


FIG. 2

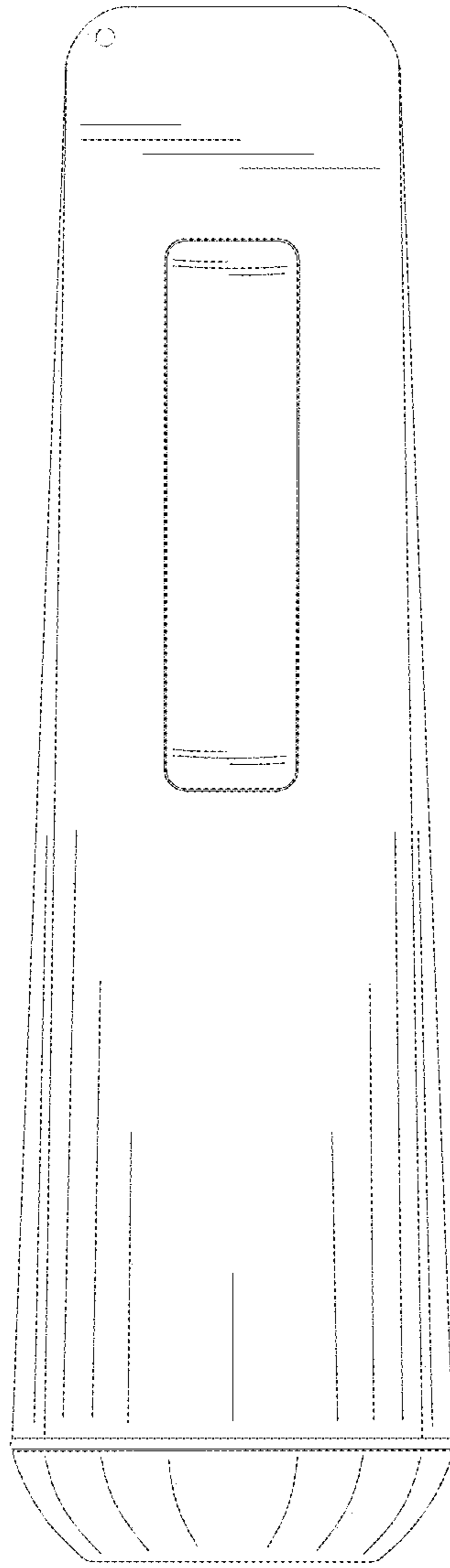


FIG. 3

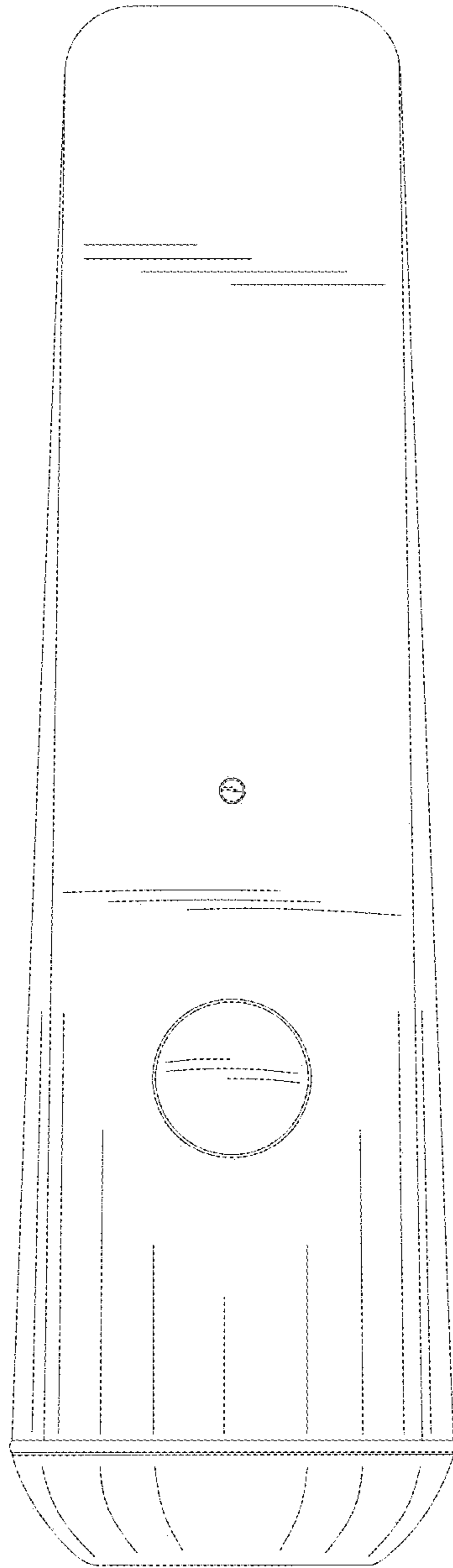


FIG. 4

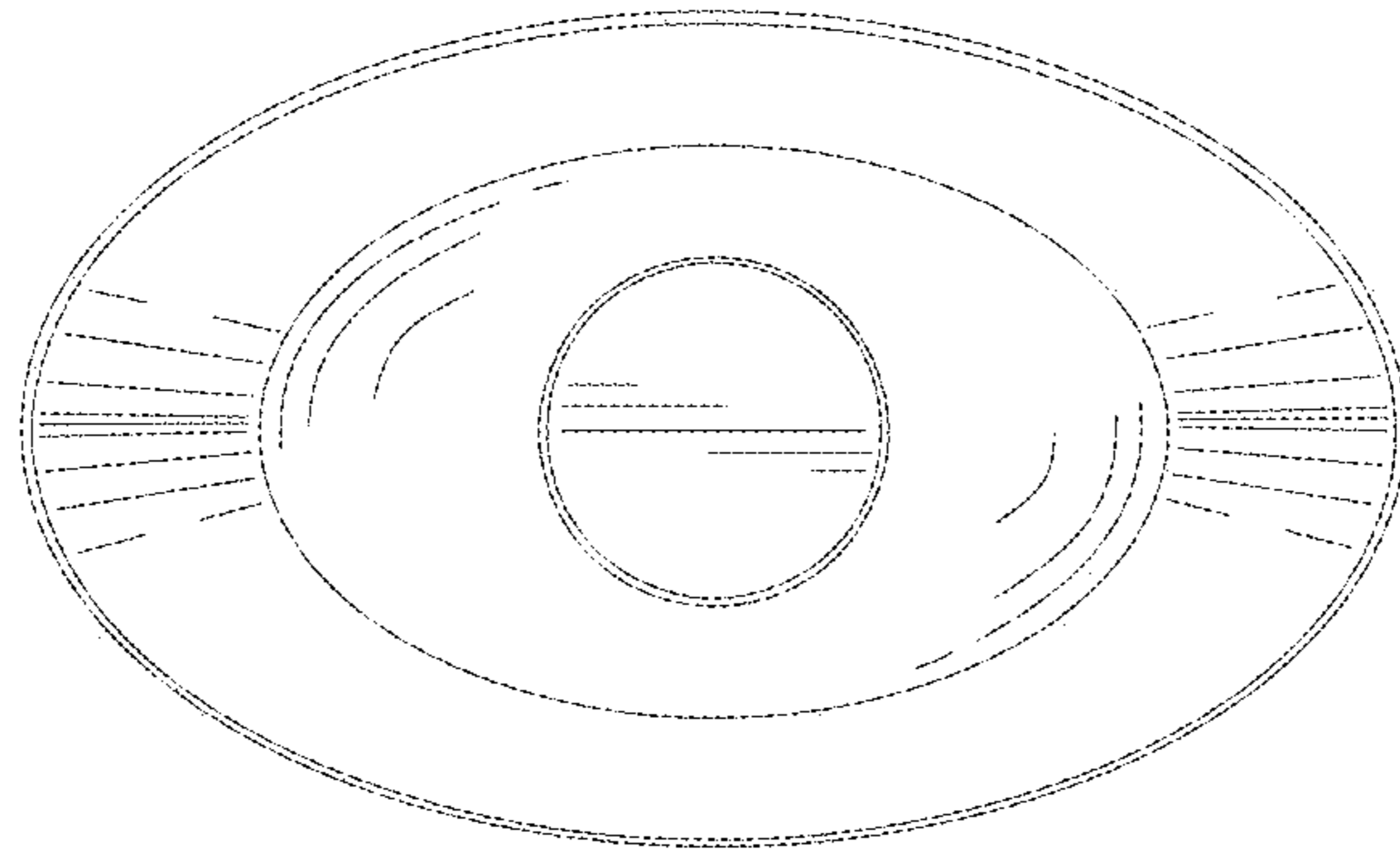


FIG. 5

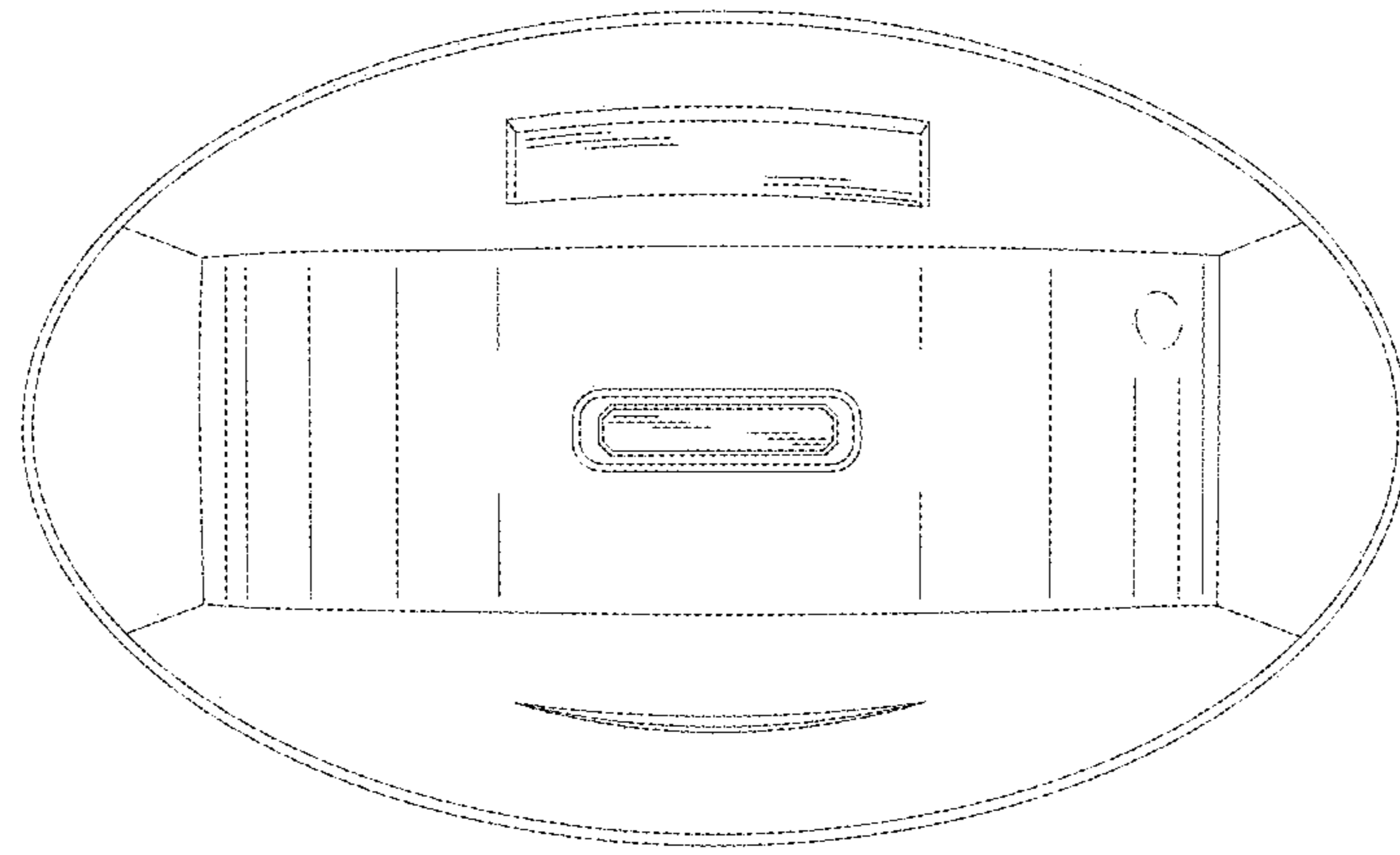


FIG. 6

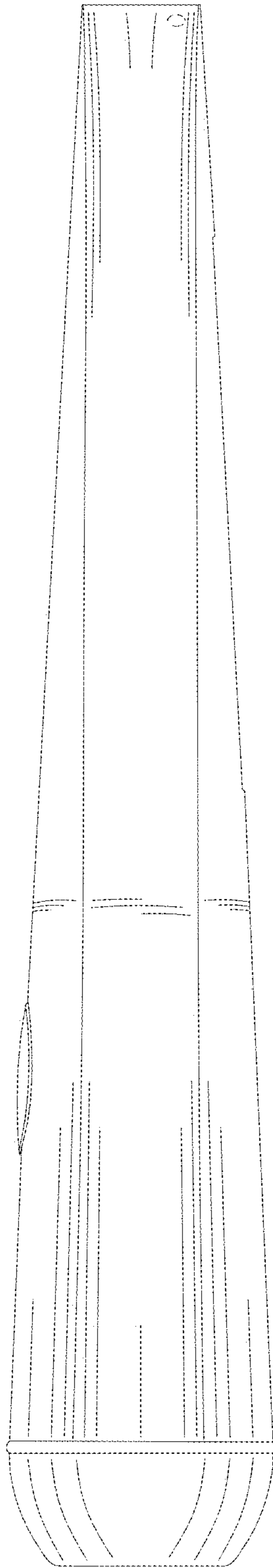


FIG. 7

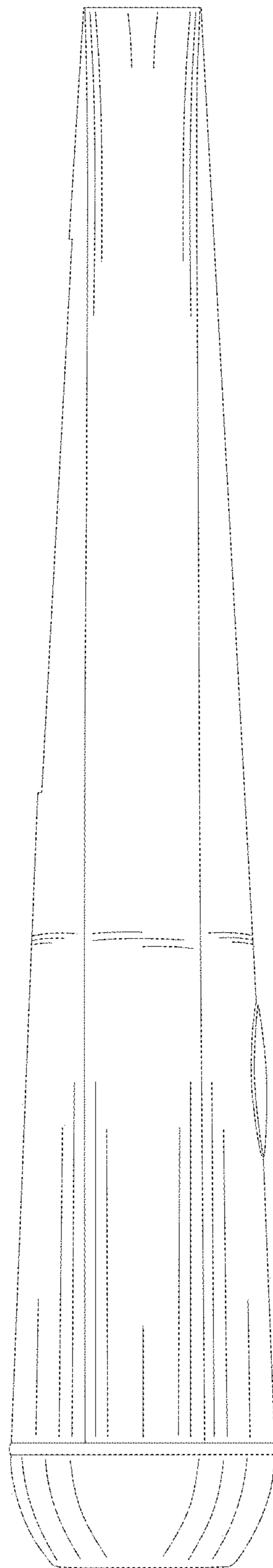


FIG. 8