



US00D936846S

(12) **United States Design Patent** (10) **Patent No.:** **US D936,846 S**
Eaves, III et al. (45) **Date of Patent:** **** Nov. 23, 2021**

(54) **MEDICAL ARTICLE FOR TREATING A WOUND AND/OR SCAR TISSUE**
 (71) Applicant: **EMRGE, LLC**, Atlanta, GA (US)
 (72) Inventors: **Felmont F. Eaves, III**, Atlanta, GA (US); **David O. Kazmer**, Georgetown, MA (US); **Gary W. Knight**, Lebanon, OH (US); **Timothy G. Dietz**, Reading, MA (US); **William Eugene Clem**, Bozeman, MT (US)

(73) Assignee: **EMRGE, LLC**, Atlanta, GA (US)

(**) Term: **15 Years**

(21) Appl. No.: **29/715,409**

(22) Filed: **Dec. 2, 2019**

Related U.S. Application Data

(63) Continuation of application No. 29/622,936, filed on Oct. 20, 2017, now Pat. No. Des. 876,641.

(51) **LOC (13) Cl.** **24-01**

(52) **U.S. Cl.**
 USPC **D24/189**

(58) **Field of Classification Search**
 USPC D24/188-192, 206; D28/27, 39, 42, 75
 CPC . A61B 17/08; A61B 17/085; A61B 17/00491;
 A61B 17/064; A61B 17/10; A61B 50/33;
 A61B 90/53; A61B 2017/00862; A61B
 2017/00951

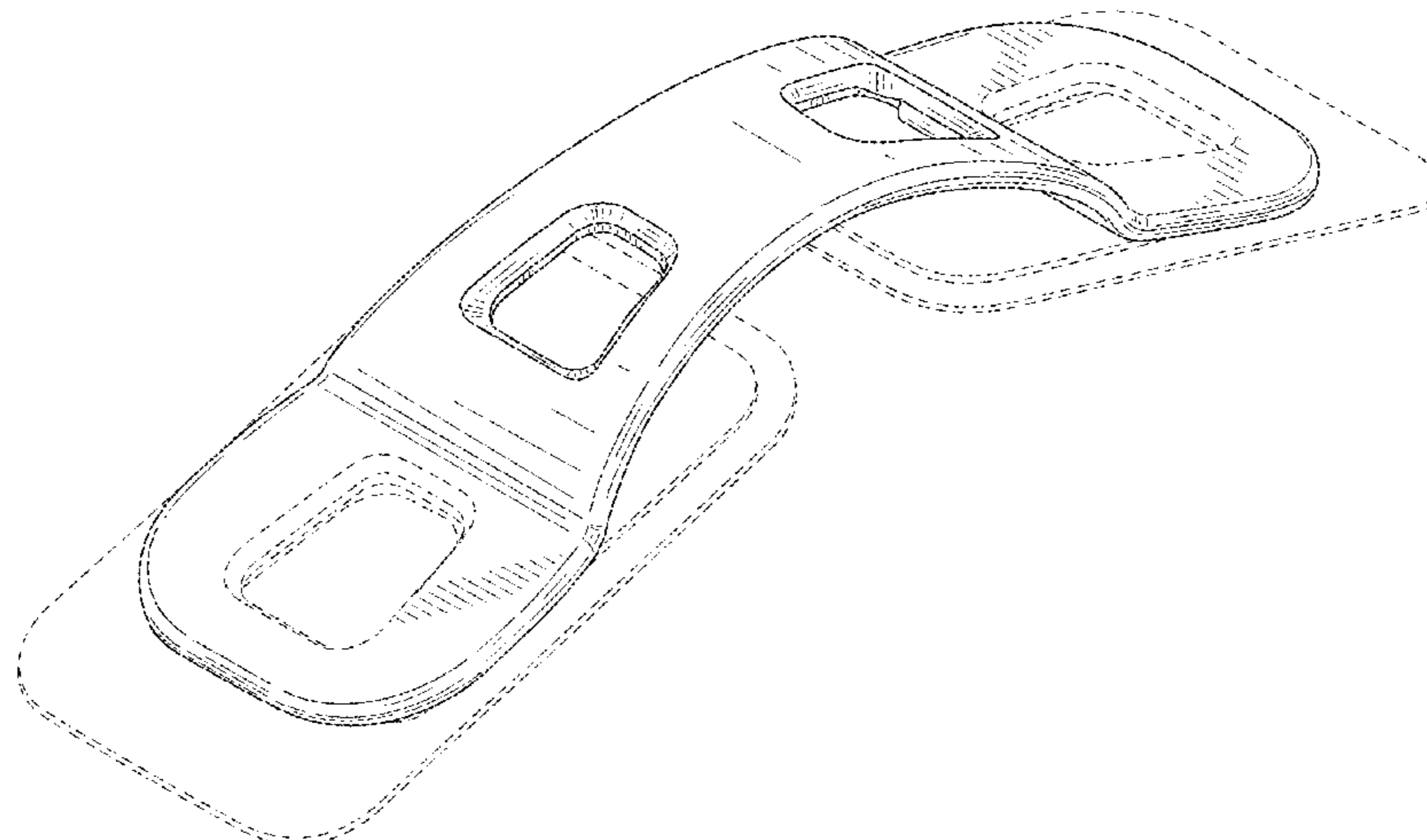
See application file for complete search history.

(56) **References Cited**

U.S. PATENT DOCUMENTS

815,264 A	3/1906	Chambers	
1,248,450 A	3/1917	Burke	
1,908,229 A	5/1933	Dyer	
2,254,620 A	9/1941	Miller	
2,341,121 A	9/1942	Schaaff	
D134,810 S *	1/1943	Tawdish D28/42
2,371,978 A	3/1945	Perham	
2,421,193 A	5/1947	Gardner	

2,979,671 A	6/1954	Garber, Jr.
2,912,735 A	2/1957	Johnson et al.
3,068,870 A	3/1960	Levin
3,014,483 A	12/1961	McCarthy
3,082,773 A	3/1963	Renstrom et al.
3,120,687 A	2/1964	Greening et al.
3,487,836 A	1/1970	Niebel et al.
3,625,220 A	12/1971	Engelsher
3,695,271 A	10/1972	Chodorow
3,831,608 A	8/1974	Kletschka et al.
3,861,008 A	1/1975	Wannag
4,011,639 A	3/1977	Koleske
4,275,736 A	6/1981	Chodorow
D260,681 S	9/1981	Chodorow et al.
4,506,669 A	3/1985	Blake, III
4,539,990 A	9/1985	Stivala
4,646,731 A	3/1987	Brower
4,702,251 A	10/1987	Sheehan
D293,717 S	1/1988	Proulx et al.
4,734,320 A	3/1988	Ohira et al.
4,742,826 A	5/1988	McLorg
4,815,468 A	3/1989	Annand
4,825,866 A	5/1989	Pierce
5,047,047 A	9/1991	Yoon
5,127,412 A	7/1992	Cosmetto et al.
5,176,703 A	1/1993	Peterson
5,230,701 A	7/1993	Meyer et al.
5,236,440 A	8/1993	Hlavacek
5,366,480 A	11/1994	Corriveau et al.
D354,134 S	1/1995	Tanaka
D359,144 S	6/1995	Healzer et al.
5,489,083 A	2/1996	Rollor
5,549,713 A	8/1996	Kim
5,562,705 A	10/1996	Whiteford
5,630,430 A	5/1997	Shultz et al.
5,775,345 A	7/1998	Chou
D407,489 S	3/1999	Kalat
5,947,917 A	9/1999	Carte et al.
5,947,998 A	9/1999	Cartmell et al.
6,176,868 B1	1/2001	Detour
6,196,228 B1	3/2001	Kreitzer et al.
6,559,350 B1	5/2003	Tetreault et al.
6,894,204 B2	5/2005	Dunshee
D530,420 S	10/2006	Chesnin
7,332,641 B2	2/2008	Lebner et al.
7,683,234 B2	3/2010	Gurtner et al.
8,157,839 B2	4/2012	Riskin et al.
8,183,428 B2	5/2012	Gurtner et al.
8,246,590 B2	8/2012	Hu et al.
D667,167 S	9/2012	Stewart
D671,265 S	11/2012	Stewart
8,323,313 B1	12/2012	Belson et al.
D674,544 S	1/2013	Stewart



8,395,011 B2 3/2013 Zepeda et al.
 8,435,221 B2 5/2013 Hu et al.
 D683,860 S 6/2013 Quimby
 D690,020 S * 9/2013 Quimby D24/191
 8,562,576 B2 10/2013 Hu et al.
 8,592,640 B2 11/2013 Zepeda et al.
 8,674,164 B2 3/2014 Zepeda et al.
 8,834,434 B2 9/2014 Hu et al.
 8,915,942 B2 12/2014 Zhang
 9,028,529 B2 5/2015 Riskin et al.
 9,050,086 B2 6/2015 Belson et al.
 9,089,328 B2 7/2015 Belson et al.
 9,119,620 B2 9/2015 Peterson et al.
 D754,862 S * 4/2016 Huff D24/189
 9,301,760 B2 4/2016 Fox
 9,421,133 B2 8/2016 Hu et al.
 9,492,171 B2 11/2016 Patenaude
 9,517,163 B2 12/2016 Goldman et al.
 D780,317 S 2/2017 Vandervoort
 9,603,596 B2 3/2017 Riskin et al.
 9,649,226 B2 5/2017 Zepeda et al.
 D790,072 S 6/2017 Hiebert
 D811,609 S * 2/2018 Huff D24/189
 D815,747 S * 4/2018 Kellock A47C 7/38
 D24/190
 9,974,532 B2 5/2018 Baas et al.
 10,064,616 B2 9/2018 Lear et al.
 D831,220 S 10/2018 Chase et al.
 10,213,350 B2 2/2019 Jackson et al.
 10,327,774 B2 6/2019 Eaves
 D862,695 S 10/2019 Eaves, III et al.
 10,426,479 B2 10/2019 Vold et al.
 10,517,768 B2 12/2019 Zepeda et al.
 D876,641 S * 2/2020 Eaves, III D24/189
 D876,653 S * 2/2020 Heller D24/190
 D918,400 S * 5/2021 Ma D24/192
 2002/0111641 A1 8/2002 Peterson et al.
 2003/0221700 A1 12/2003 La Fauci
 2005/0080453 A1 4/2005 Lebner
 2005/0193527 A1 9/2005 Gould
 2006/0200198 A1 9/2006 Riskin et al.
 2009/0125052 A1 5/2009 Pinna et al.
 2009/0151128 A1 6/2009 Gould
 2009/0240186 A1 9/2009 Frang
 2009/0259203 A1 10/2009 Hu et al.
 2010/0051046 A1 3/2010 Stevenson et al.
 2010/0081983 A1 4/2010 Zocher
 2010/0228287 A1 9/2010 Jeekel
 2010/0236566 A1 9/2010 Stachowski
 2010/0262126 A1 10/2010 Hu et al.
 2011/0004173 A1 1/2011 Hu et al.
 2011/0023906 A1 2/2011 Tu
 2011/0040325 A1 2/2011 Moehrle
 2011/0054547 A1 3/2011 Anderson
 2011/0105963 A1 5/2011 Hu et al.
 2011/0152738 A1 6/2011 Zepeda et al.
 2012/0172779 A1 7/2012 Spinelli et al.
 2012/0221044 A1 8/2012 Archiblad et al.
 2013/0150899 A1 6/2013 Sixto, Jr. et al.
 2013/0178897 A1 7/2013 Wu et al.
 2013/0282049 A1 10/2013 Peterson et al.
 2014/0066943 A1 3/2014 Sixto, Jr. et al.
 2014/0107597 A1 4/2014 Hu et al.
 2014/0128819 A1 5/2014 Eaves
 2014/0227483 A1 8/2014 Eaves
 2014/0243901 A1 8/2014 Mebarak et al.
 2014/0336701 A1 11/2014 McLorg
 2015/0005722 A1 1/2015 Hu et al.
 2015/0012037 A1 1/2015 Goldman et al.
 2015/0112311 A1 4/2015 Hammond et al.
 2015/0305739 A1 10/2015 Rolandi et al.
 2016/0324693 A1 11/2016 Hu et al.
 2017/0049630 A1 2/2017 Goldman et al.
 2017/0071596 A1 3/2017 Lear et al.
 2017/0333039 A1 11/2017 Leung
 2018/0125492 A1 5/2018 Eaves
 2018/0303483 A1 10/2018 Zhang
 2018/0338757 A1 11/2018 Lear et al.
 2018/0353335 A1 12/2018 Walker

2019/0038474 A1 2/2019 Eaves
 2019/0133582 A1 * 5/2019 Eaves A61B 17/10
 2019/0261989 A1 8/2019 Eaves

FOREIGN PATENT DOCUMENTS

AU 2012236205 B2 8/2016
 AU 2016262734 12/2016
 CA 2830918 A1 10/2012
 CN 1889903 A 1/2007
 CN 101606856 A 12/2009
 CN 101828939 B 9/2010
 CN 201683935 U 12/2010
 CN 103892877 A 7/2014
 CN 105147344 A 12/2015
 CN 205144638 U 4/2016
 CN 103533900 B 12/2016
 EP 2691029 A2 2/2014
 FR 419096 10/1910
 FR 794710 2/1936
 JP 2011-500170 A 1/2011
 JP 2014-516288 7/2014
 KR 10-2009-0066415 6/2009
 KR 10-2014-0020993 2/2014
 TW M340039 U 9/2008
 WO 02/26181 A1 4/2002
 WO 2006/124671 A2 11/2006
 WO 2009049232 A1 4/2009
 WO 2011019859 A2 2/2011
 WO 2013188884 A1 6/2012
 WO 2012/135735 10/2012
 WO 2013/059600 4/2013
 WO 2013/059600 A1 4/2013
 WO 2018/075879 A1 4/2014
 WO 2016/107897 A1 7/2016
 WO 2017/079782 A1 5/2017
 WO 2018/075879 4/2018
 WO 2021/072021 A1 4/2021

OTHER PUBLICATIONS

Kyle Design. Hair Barrettes Made In France—Extra Large 4" Blank Metal. No date specified. <https://www.kyledesigns.com/hair-barrettes-made-in-france-extra-large-4-blank-metal/> (Year: 0).*

Partial Supplementary European Search Report in related European Application No. 17861546.4 dated Apr. 22, 2020, pp. 1-12 [US Publication No. 2014/0128819 previously cited.].

Search Report in related European Application No. 17861546.4 dated Jul. 31, 2020, pp. 1-10 [All references previously cited.].

Japanese Notice of Reasons for Rejection in related JP Application No. 2014-502866, dated Oct. 3, 2016; 9 pages.

Supplementary Partial European Search Report for EP Application No. 12762897, dated Dec. 23, 2014, 7 pages.

International Search Report and Written Opinion issued in PCT/US2012/031638 dated Nov. 29, 2012; 10 pages.

Extended Search Report for related EP Application 12762897.2, dated May 27, 2015, 11 pages.

Japanese Office Action for related JP Application No. 2014-502866, dated Dec. 10, 2015, Translation provided, 11 pages.

Australian Patent Examination Report No. 1 in related Australian Patent Application No. 201226205, dated Aug. 28, 2015, 5 pages.

Chinese First Office Action for related CN Application No. 201280017051.4, dated Jun. 1, 2015, Translation provided, 13 pages.

Chinese Second Office Action for related CN Application No. 201280017051 4, dated Dec. 31, 2015, Translation provided, 8 pages.

Examination Report No. 1 in related Australian Application No. 2016262734, dated Jan. 14, 2019, 3 pages.

Written Opinion in commonly owned PCT Application No. PCT/2018/057569, dated Apr. 26, 2018, pp. 1-5.

Search Report in commonly owned PCT Application No. PCT/2018/057569, dated Feb. 2, 2018, pp. 1-6.

First Chinese Office Action in related CN Application No. 201611102500.1, dated Aug. 20, 2018, 21 pages (including English Translation).

SutureSafe Inc., Product Brochure SutureSafe Support closed wounds and provide stability; 2 pages [Downloaded Jul. 25, 2017 from <http://dynamicissuesystems.com/wp-content/uploads/2015/09/SutureSafe-SS-lr2.pdf>].

Southmedic Inc., SutureSafe Instructions for Use, 2 pages [Downloaded Jul. 25, 2017 from http://dynamicissuesystems.com/wp-content/uploads/2015/09/IFU0251_E.pdf].

Summons to attend oral proceedings in commonly owned European Application No. 12762897.2 dated Mar. 22, 2021, pp. 1-11.

International Search Report and Written Opinion in commonly owned International Application No. PCT/US20/54702 dated Mar. 11, 2021, pp. 1-28.

Ruckel, U.S. Pat. No. 765,793 issued Jul. 26, 1904, pp. 1-3.

Knott et al., “Curved bistable composite slit tubes with positive Gaussian curvature”, University of Surrey, Guilford, United Kingdom, pp. 1-22.

Jiang et al., “Snapping of bistable, prestressed cylindrical shells”, A Letters Journal Exploring, www.epljournal.org, Jun. 2018, EPL, 122 (2018) 64003, pp. 1-8.

Kebadze, et al., “Bistable prestressed shell structures”, International Journal of Solids and Structures, www.elsevier.com/locate/ijsolstr, 41 (2004) pp. 2801-2820.

Kim et al., “Flytrap-inspired robot using structurally integrated actuation based on bistability and developable surface”, Bioinspiration & Biomimetics, 9 (2014) 036004, pp. 1-15.

Seffen, “Morphing bistable orthotropic elliptical shallow shells”, Proceedings of the Royal Society, (2007) 463, 67-83, pp. 1-17.

International Preliminary Report on Patentability in commonly owned International Application No. PCT/US2017/057569, dated May 2, 2019, pp. 1-6.

Amazon, “Elastic Bandage Wrap Compression Tape”, Review by Maria A. Dec. 18, 2017, <URL:<https://www.amazon.com/Elastic-Bandage-Wrap-Compression-Tape/dp/B06XQ8BY8?th=1>>(Year 2017) 12 pages.

* cited by examiner

Primary Examiner — Darcey E Gottschalk

(74) *Attorney, Agent, or Firm* — Additon, Pendleton & Witherspoon, P.A.

(57)

CLAIM

The ornamental design for a medical article for treating a wound and/or scar tissue, as shown and described.

DESCRIPTION

This application incorporates by reference the entire disclosure of each of U.S. Provisional application Ser. No. 62/411,023, filed on Oct. 20, 2017. Any material incorporated by reference which is not otherwise disclosed in the present application forms no part of the claimed design.

FIG. 1 is a top perspective view of a medical article for treating a wound and/or scar tissue, in accordance with the present invention;

FIG. 2 is a top plan view of the medical article of FIG. 1; FIG. 3 is a bottom plan view of the medical article of FIG. 1;

FIG. 4 is a front elevation view of the medical article of FIG. 1;

FIG. 5 is a rear elevation view of the medical article of FIG. 1;

FIG. 6 is a right elevation view of the medical article of FIG. 1;

FIG. 7 is a left elevation view of the medical article of FIG. 1;

FIG. 8 is a cross-sectional view of the medical article of FIG. 1 taken along line 8-8 of FIG. 2, wherein a cross-sectional view taken in the opposite direction along line 8-8 of FIG. 2 is the same as FIG. 8; and,

FIG. 9 is an exploded bottom perspective view of the medical article of FIG. 1.

In the drawings, the broken lines show portions of a medical article for treating a wound and/or scar tissue that form no part of the claimed design.

1 Claim, 7 Drawing Sheets

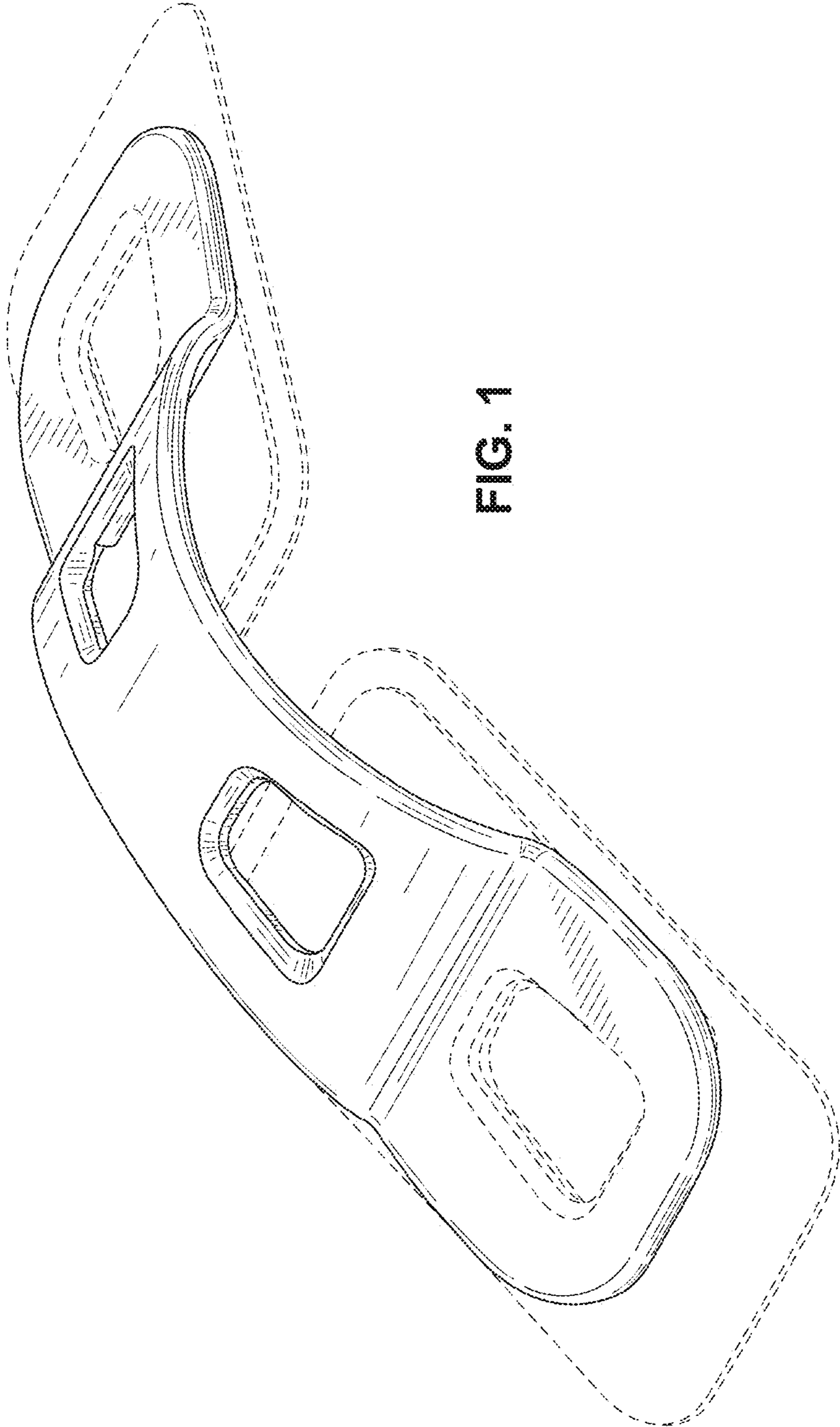


FIG. 1

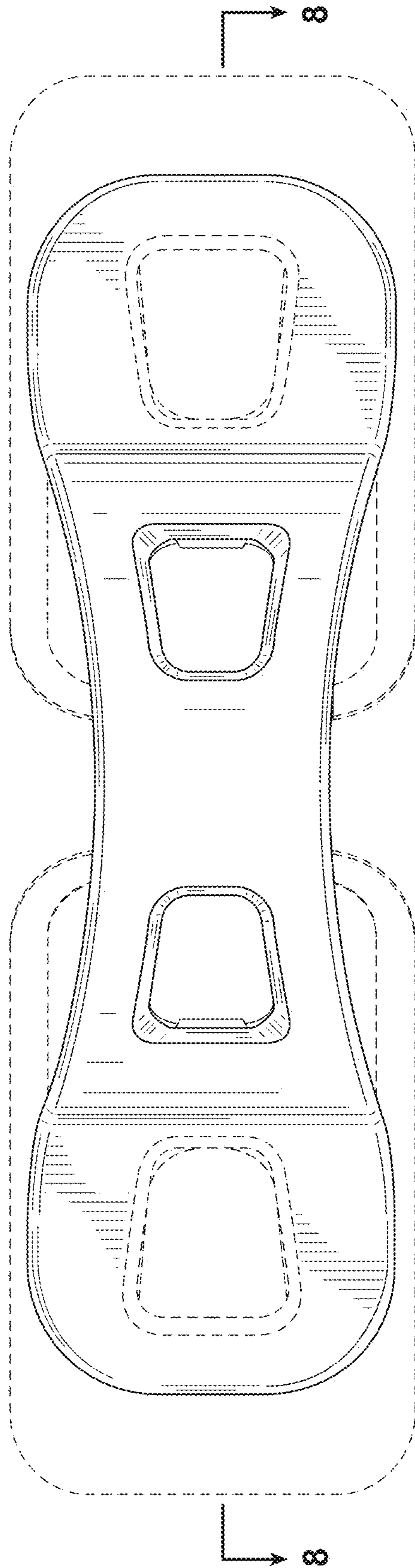


FIG. 2

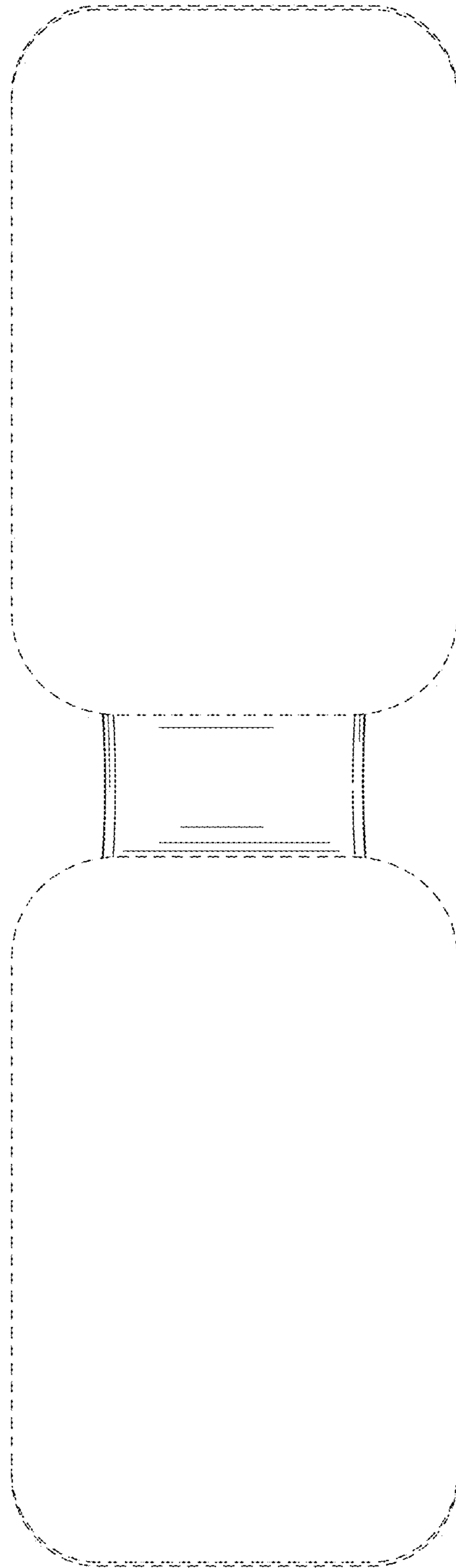


FIG. 3

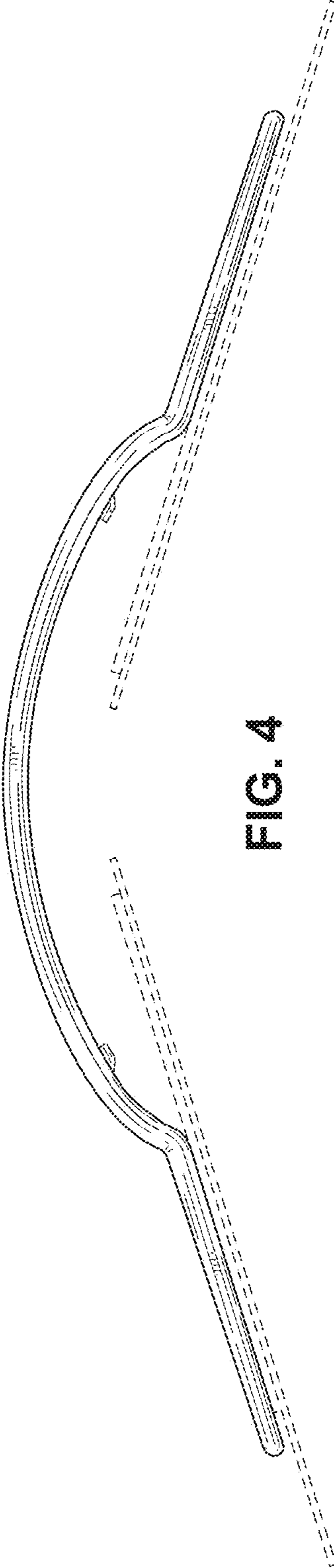


FIG. 4

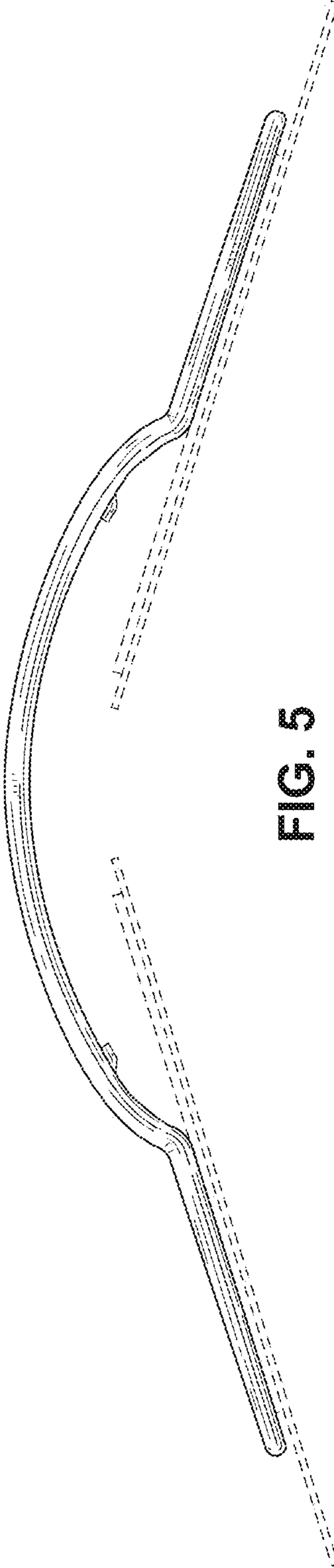


FIG. 5

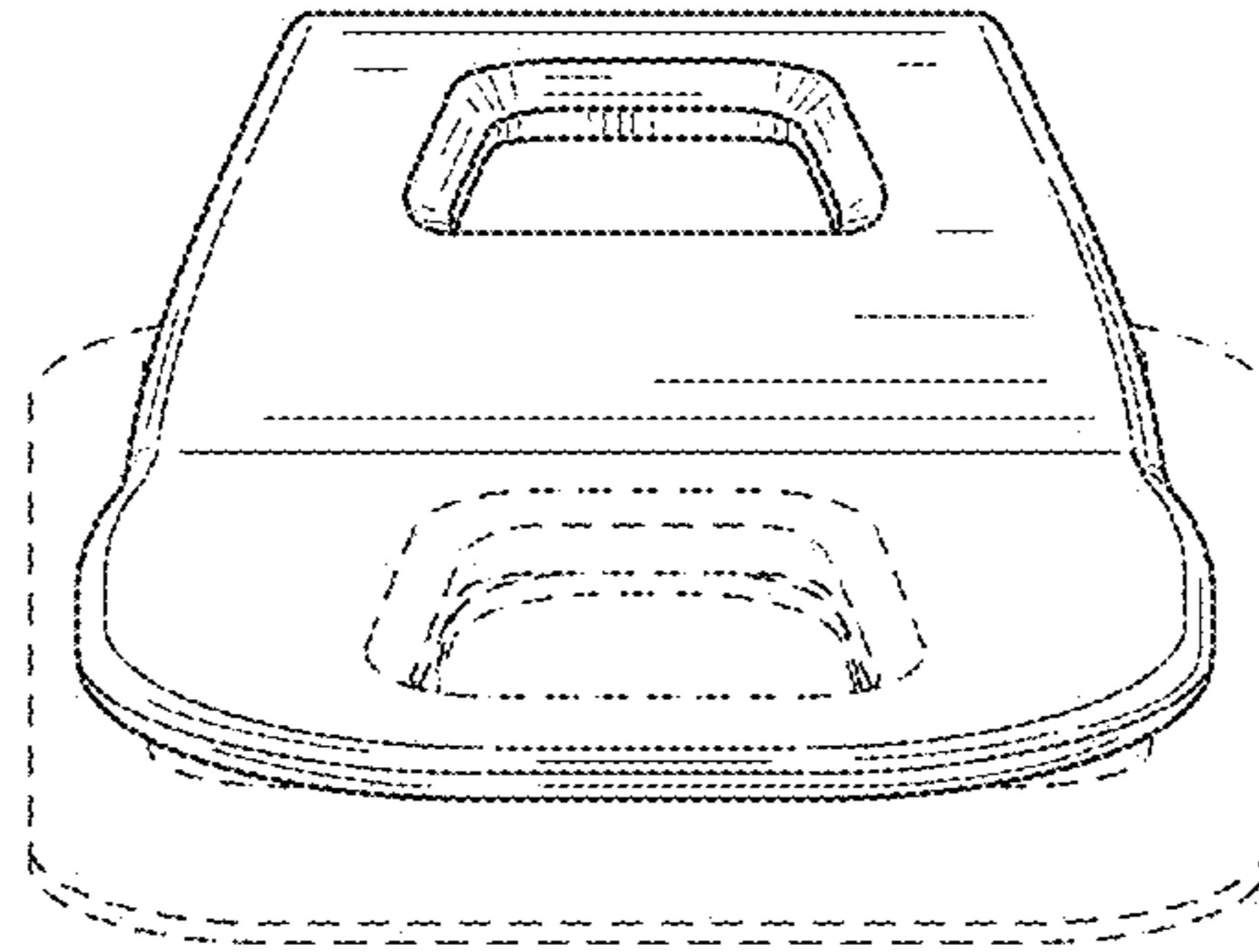


FIG. 6

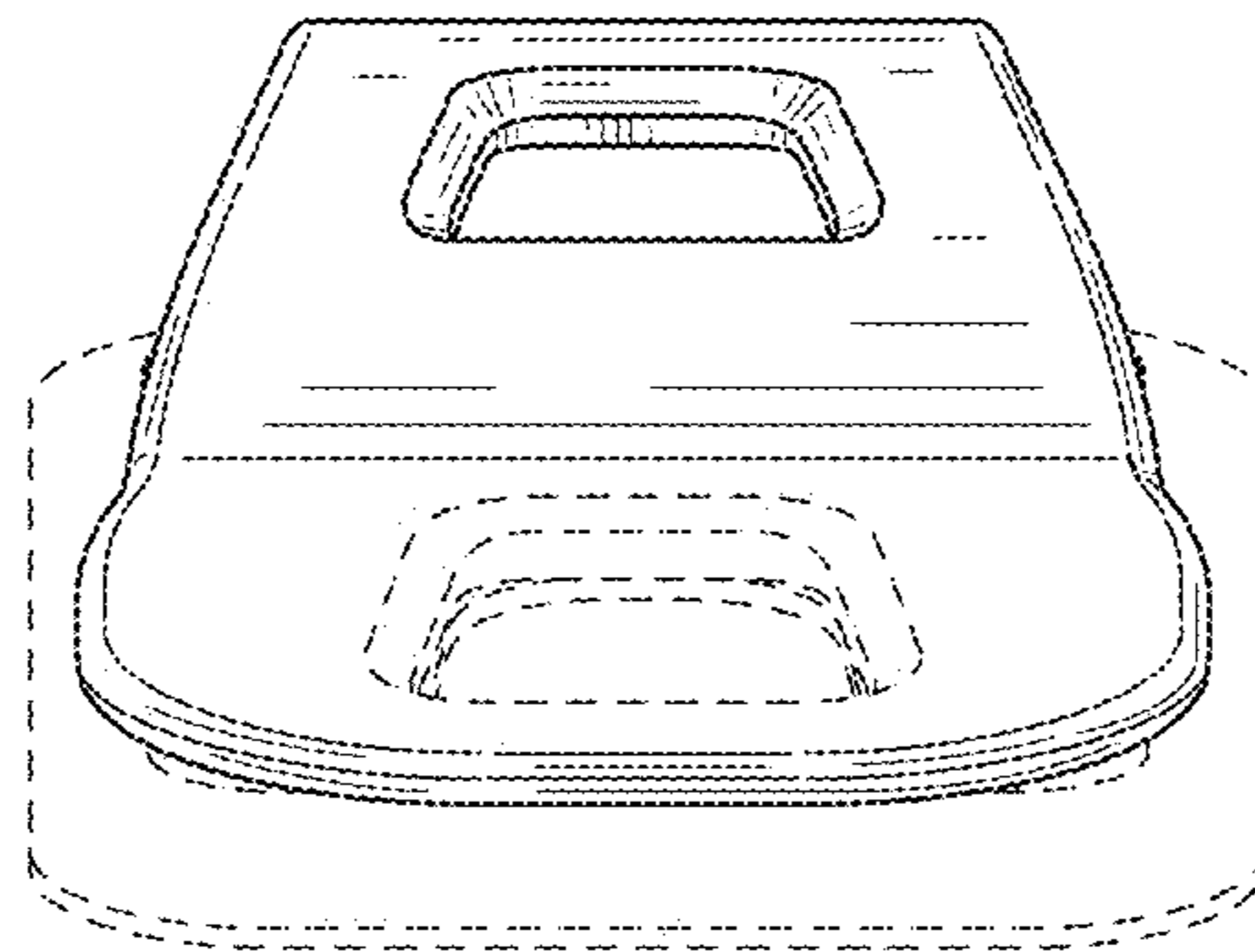


FIG. 7

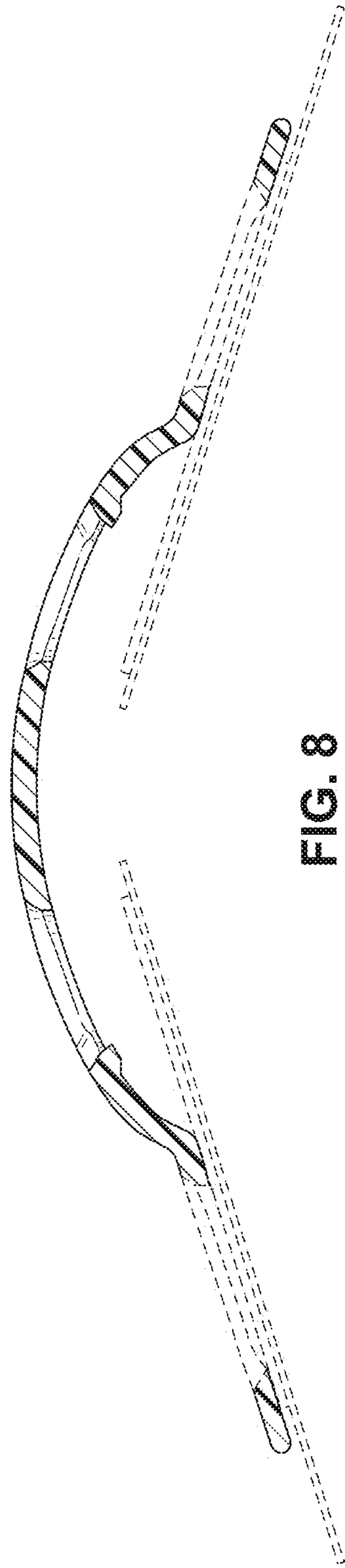


FIG. 8

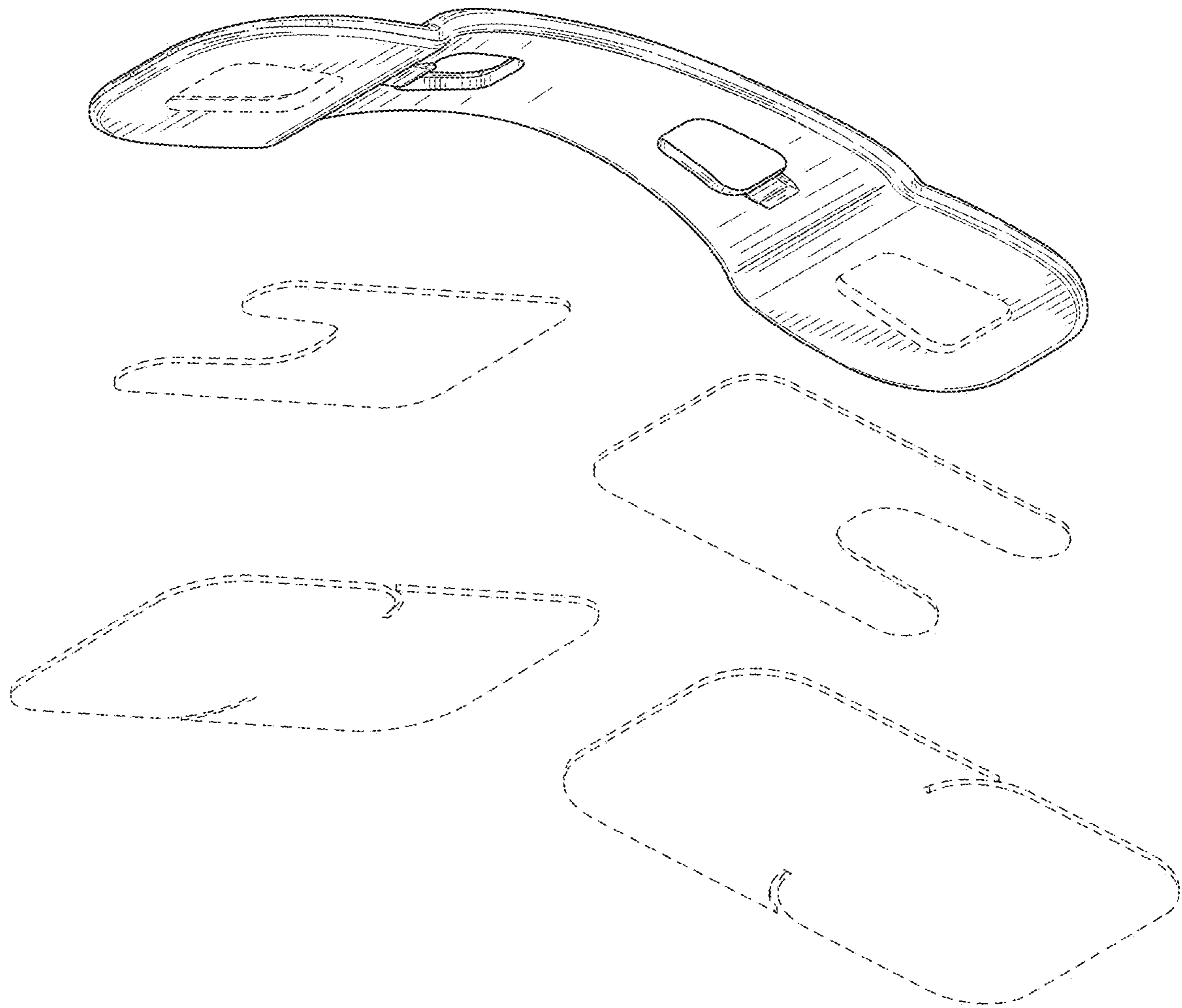


FIG. 9

UNITED STATES PATENT AND TRADEMARK OFFICE
CERTIFICATE OF CORRECTION

PATENT NO. : D936,846 S
APPLICATION NO. : 29/715409
DATED : November 23, 2021
INVENTOR(S) : Felmont F. Eaves, III et al.

Page 1 of 1

It is certified that error appears in the above-identified patent and that said Letters Patent is hereby corrected as shown below:

On the Title Page

On page 3 Column 2, In the Description:

Delete Paragraph 1 and insert --This application incorporates by reference the entire disclosure of each of U.S. Provisional Application No. 62/411,023, filed Oct. 21, 2016, International Application No. PCT/US17/57569, filed Oct. 20, 2017, and U.S. Design Patent Application No. 29/622,936, filed on Oct. 20, 2017. Any material incorporated by reference which is not otherwise disclosed in the present application forms no part of the claimed design.--

Signed and Sealed this
Third Day of May, 2022



Katherine Kelly Vidal
Director of the United States Patent and Trademark Office