

US00D936844S

(12) **United States Design Patent** (10) **Patent No.:** **US D936,844 S**  
**Gundry et al.** (45) **Date of Patent:** **\*\* Nov. 23, 2021**

- (54) **MEDICAL DRESSING**
- (71) Applicant: **Medline Industries, LP**, Northfield, IL (US)
- (72) Inventors: **Alexander Gundry**, Lake Forest, IL (US); **Bruce Shapiro**, Deerfield, IL (US); **Erich Toth**, Chicago, IL (US)
- (73) Assignee: **Medline Industries, LP**, Northfield, IL (US)
- (\*\*) Term: **15 Years**
- (21) Appl. No.: **29/693,406**
- (22) Filed: **Jun. 3, 2019**
- (51) **LOC (13) Cl.** ..... **24-04**
- (52) **U.S. Cl.**  
USPC ..... **D24/189**
- (58) **Field of Classification Search**  
USPC ..... D24/188-192, 200, 206, 215  
(Continued)

(56) **References Cited**

**U.S. PATENT DOCUMENTS**

D473,947 S 4/2003 Jacobson  
D578,651 S 10/2008 Dunshee  
(Continued)

**FOREIGN PATENT DOCUMENTS**

WO 0196422 12/2001  
WO 2008149107 12/2008  
(Continued)

**OTHER PUBLICATIONS**

eBay. Medline Optifoam Sacrum Silicone Faced Foam & Border Dressing 7x7 (Box of 5) . Oct. 24, 2020. <https://www.ebay.com/itm/Medline-Optifoam-Sacrum-Silicone-Faced-Foam-Border-Dressing-7x7-Box-of-5-/383513645713> (Year: 2020).\*

(Continued)

*Primary Examiner* — Darcey E Gottschalk  
(74) *Attorney, Agent, or Firm* — Fitch, Even, Tabin & Flannery LLP

(57) **CLAIM**

The ornamental design for a medical dressing, as shown and described.

**DESCRIPTION**

FIG. 1 is a top perspective view showing a first embodiment of a medical dressing, the oblique line shading representing transparency;  
FIG. 2 is a partially exploded perspective view thereof as it may appear with release liners removed;  
FIG. 3 is an exploded perspective view thereof;  
FIG. 4 is an enlarged right side elevation view thereof;  
FIG. 5 is an enlarged left side elevation view thereof;  
FIG. 6 is an enlarged front elevation view thereof;  
FIG. 7 is an enlarged rear elevation view thereof;  
FIG. 8 is a top plan view thereof;  
FIG. 9 is a bottom plan view thereof;  
FIG. 10 is a perspective view thereof, with release liners removed, as it may appear when applied to a person;  
FIG. 11 is a top perspective view showing a second embodiment of a medical dressing, the oblique line shading representing transparency;  
FIG. 12 is a partially exploded perspective view thereof as it may appear with release liners removed;  
FIG. 13 is an exploded perspective view thereof;  
FIG. 14 is an enlarged right side elevation view thereof;  
FIG. 15 is an enlarged left side elevation view thereof;  
FIG. 16 is an enlarged front elevation view thereof;  
FIG. 17 is an enlarged rear elevation view thereof;  
FIG. 18 is a top plan view thereof;  
FIG. 19 is a bottom plan view thereof;  
FIG. 20 is a perspective view thereof, with release liners removed, as it may appear when applied to a person;  
FIG. 21 is a top perspective view showing a third embodiment of a medical dressing, the oblique line shading representing translucency;  
FIG. 22 is a partially exploded perspective view thereof as it may appear with release liners removed;

(Continued)

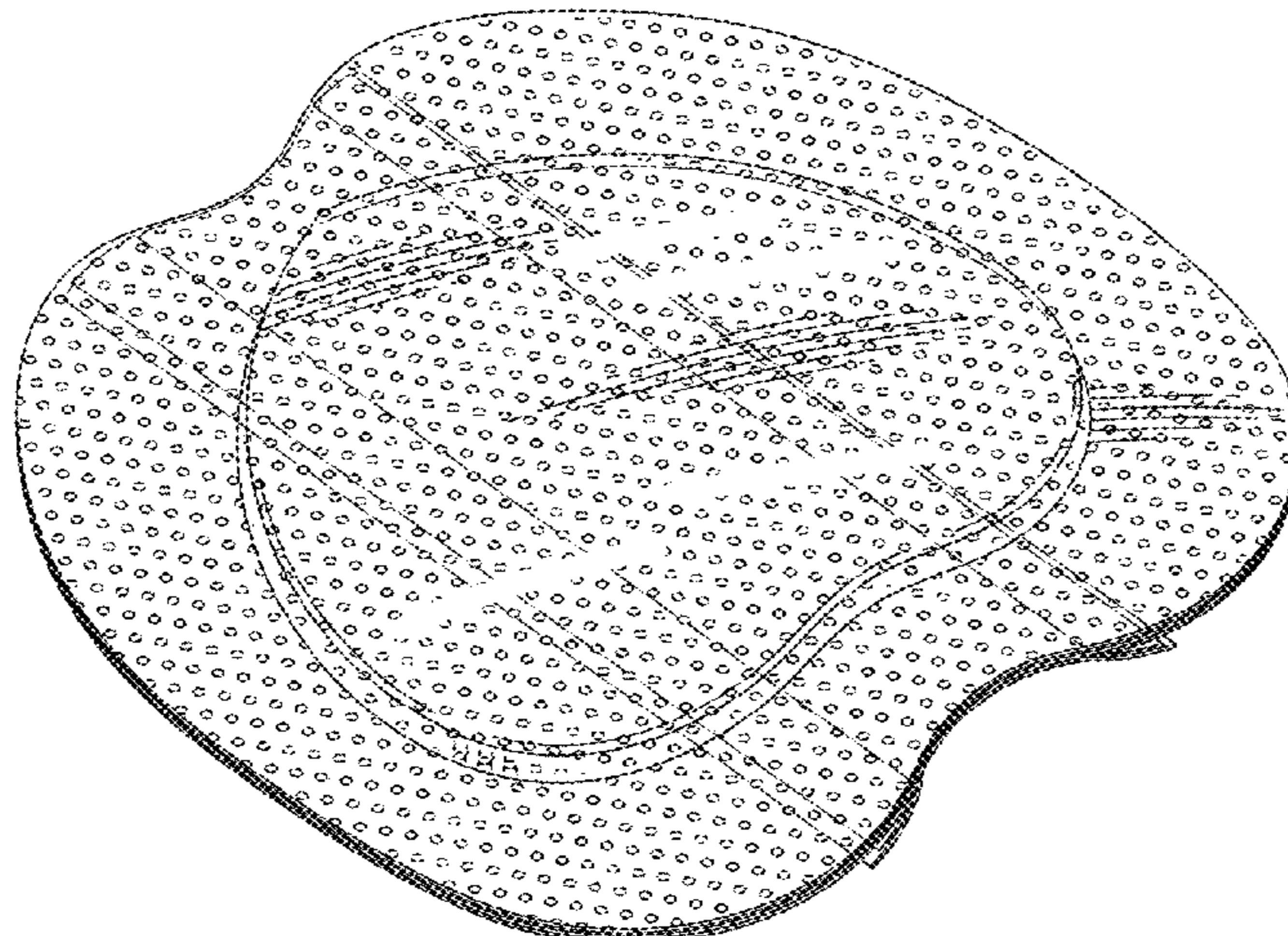


FIG. 23 is an exploded perspective view thereof;  
 FIG. 24 is an enlarged right side elevation view thereof;  
 FIG. 25 is an enlarged left side elevation view thereof;  
 FIG. 26 is an enlarged front elevation view thereof;  
 FIG. 27 is an enlarged rear elevation view thereof;  
 FIG. 28 is a top plan view thereof;  
 FIG. 29 is a bottom plan view thereof;  
 FIG. 30 is a perspective view thereof, with release liners removed, as it may appear when applied to a person;  
 FIG. 31 is a top perspective view showing a fourth embodiment of a medical dressing, the oblique line shading representing translucency;  
 FIG. 32 is a partially exploded perspective view thereof as it may appear with release liners removed;  
 FIG. 33 is an exploded perspective view thereof;  
 FIG. 34 is an enlarged right side elevation view thereof;  
 FIG. 35 is an enlarged left side elevation view thereof;  
 FIG. 36 is an enlarged front elevation view thereof;  
 FIG. 37 is an enlarged rear elevation view thereof;  
 FIG. 38 is a top plan view thereof;  
 FIG. 39 is a bottom plan view thereof; and,  
 FIG. 40 is a perspective view thereof, with release liners removed, as it may appear when applied to a person. The oblique line shading shown in FIGS. 1-20 shows transparency. The oblique line shading shown in FIGS. 21-40 shows translucency.  
 The small circular broken lines shown in FIGS. 11-13, 18-20, 31-33, and 38-40 represent perforations and form no part of the claimed design.  
 The broken lines in FIGS. 10, 20, 30 and 40 depict environment that forms no part thereof.

**1 Claim, 20 Drawing Sheets**

(58) **Field of Classification Search**

CPC ..... A61F 13/00; A61F 13/023; A61F 15/008;  
 A61F 15/004; A61M 2025/0246; A61M  
 25/02; A61M 25/024; A61M 25/0266;  
 A61M 25/0253

See application file for complete search history.

(56)

**References Cited**

U.S. PATENT DOCUMENTS

D607,112	S	12/2009	Rogers	
D607,113	S	12/2009	Rogers	
D612,060	S	3/2010	Smith	
D683,858	S *	6/2013	Smith .....	D24/189
8,563,800	B2 *	10/2013	Smith .....	A61F 13/0203 602/56
D723,703	S *	3/2015	Igwebuike .....	D24/189
D723,704	S *	3/2015	Igwebuike .....	D24/189
D729,391	S *	5/2015	Igwebuike .....	D24/189
D748,276	S *	1/2016	Bergstrom .....	D24/189
D773,059	S	11/2016	Gutierrez	
D773,060	S	11/2016	Narvekar	
D774,200	S	12/2016	Gutierrez	
D774,201	S	12/2016	Gutierrez	
D876,640	S *	2/2020	King .....	D24/189
D888,255	S *	6/2020	Kazala .....	D24/189
D907,219	S *	1/2021	Neri .....	D24/189
D914,888	S *	3/2021	Bergstrom .....	D24/189
2004/0138604	A1	7/2004	Sigurjonsson	
2005/0059918	A1	3/2005	Sigurjonsson	
2009/0148394	A1	6/2009	Munro	
2009/0177135	A1	7/2009	Rogers	
2013/0053747	A1	2/2013	Lin	
2013/0138068	A1	5/2013	Hu	
2014/0107561	A1	4/2014	Dorian	
2019/0192352	A1 *	6/2019	Rivest .....	A61F 13/0226
2020/0383836	A1	12/2020	Hansson	

FOREIGN PATENT DOCUMENTS

WO	2012048128	4/2012
WO	2019115643	6/2019
WO	2019115645	6/2019

OTHER PUBLICATIONS

Medline Industries, Inc., "Optifoam Gentle Sacrum," Application Instructions, 2017.  
 Medline Industries, Inc., "Optifoam Gentle," 2016.  
 Medline Industries, Inc., "Optifoam Gentle Ag+," 2012.  
 3M Critical & Chronic Care Solutions Division and 3M Health Care, "Tegaderm Absorbent Clear Acrylic Dressing," 2015.

\* cited by examiner

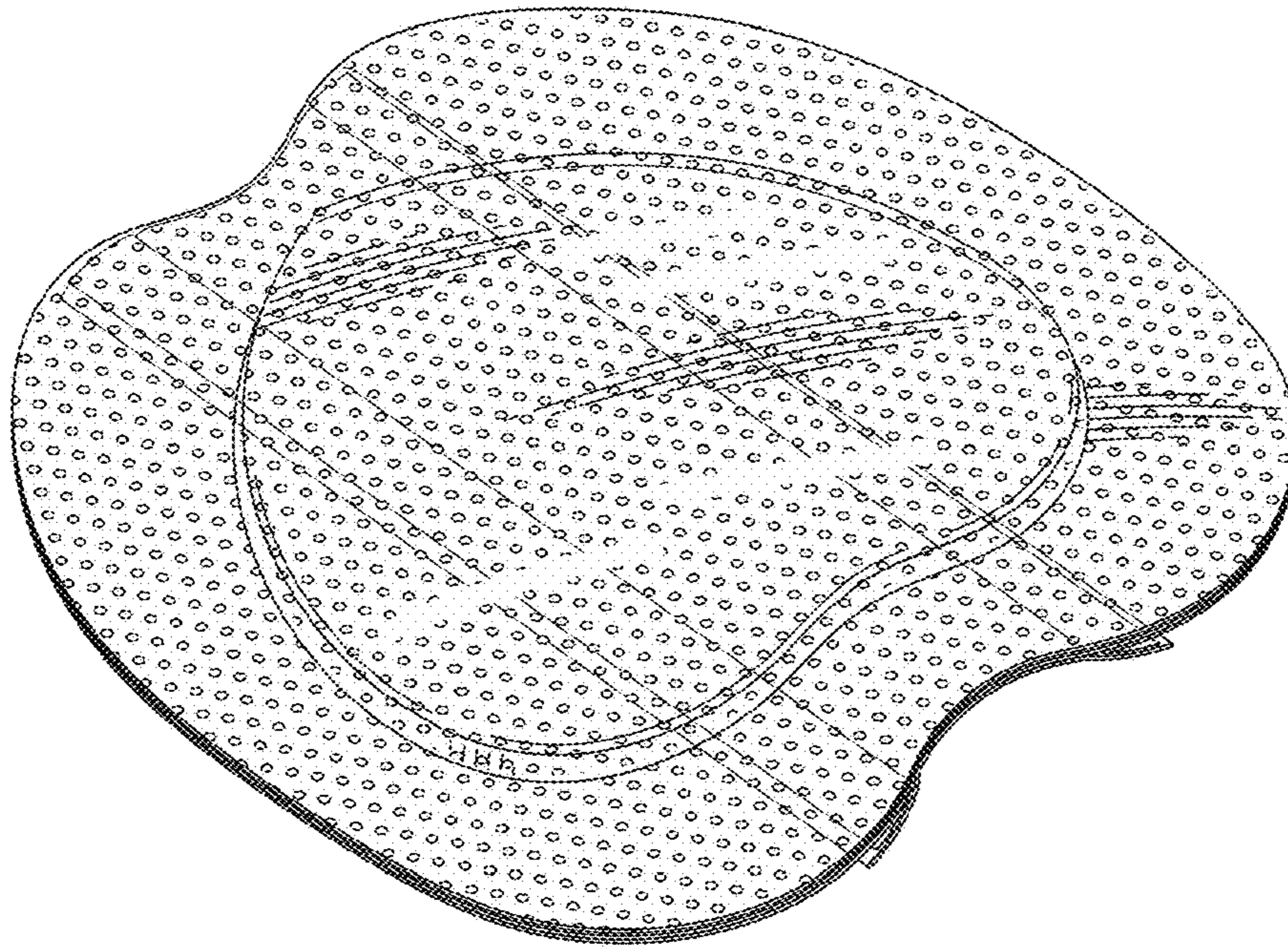


FIG. 1

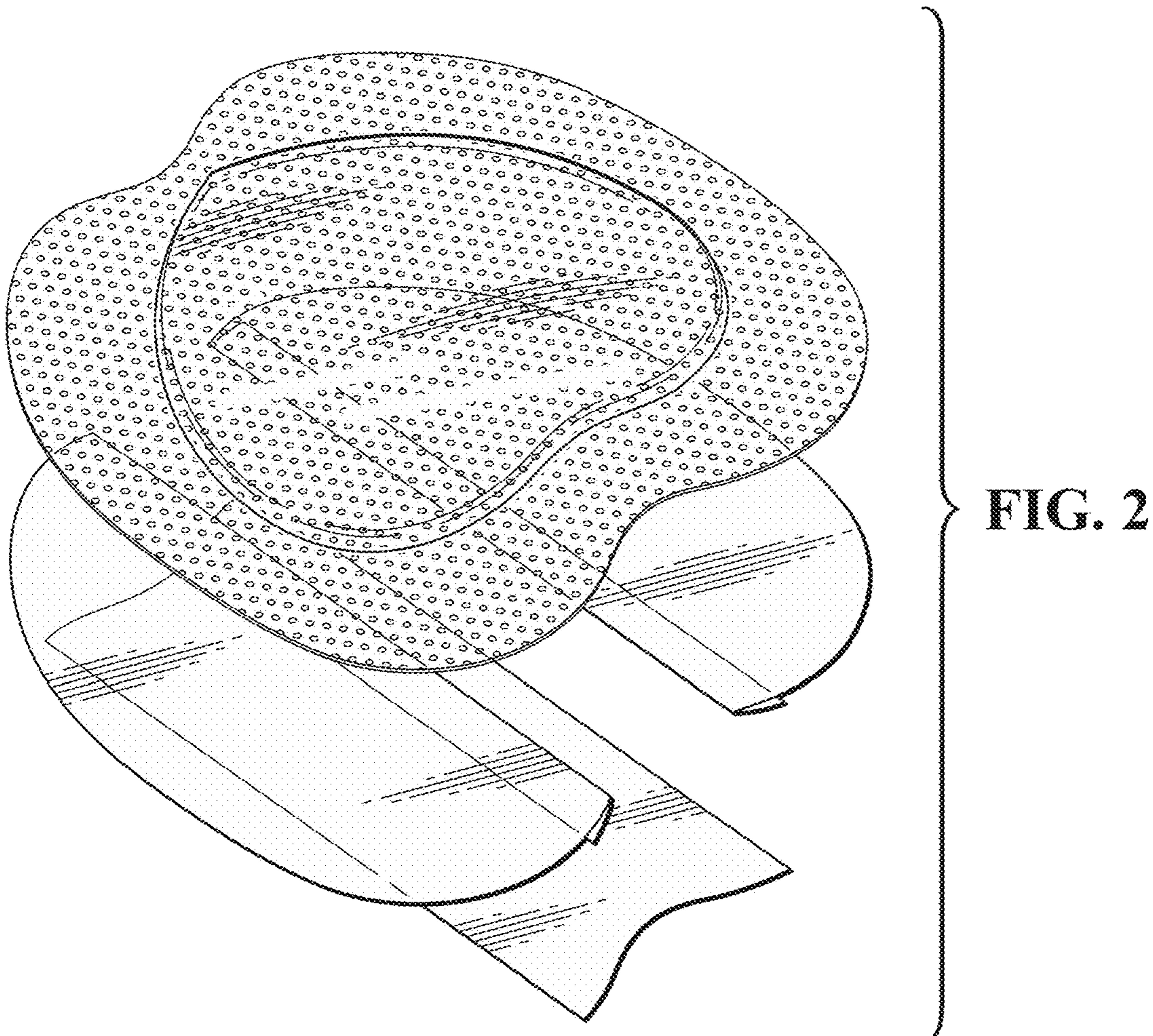


FIG. 2

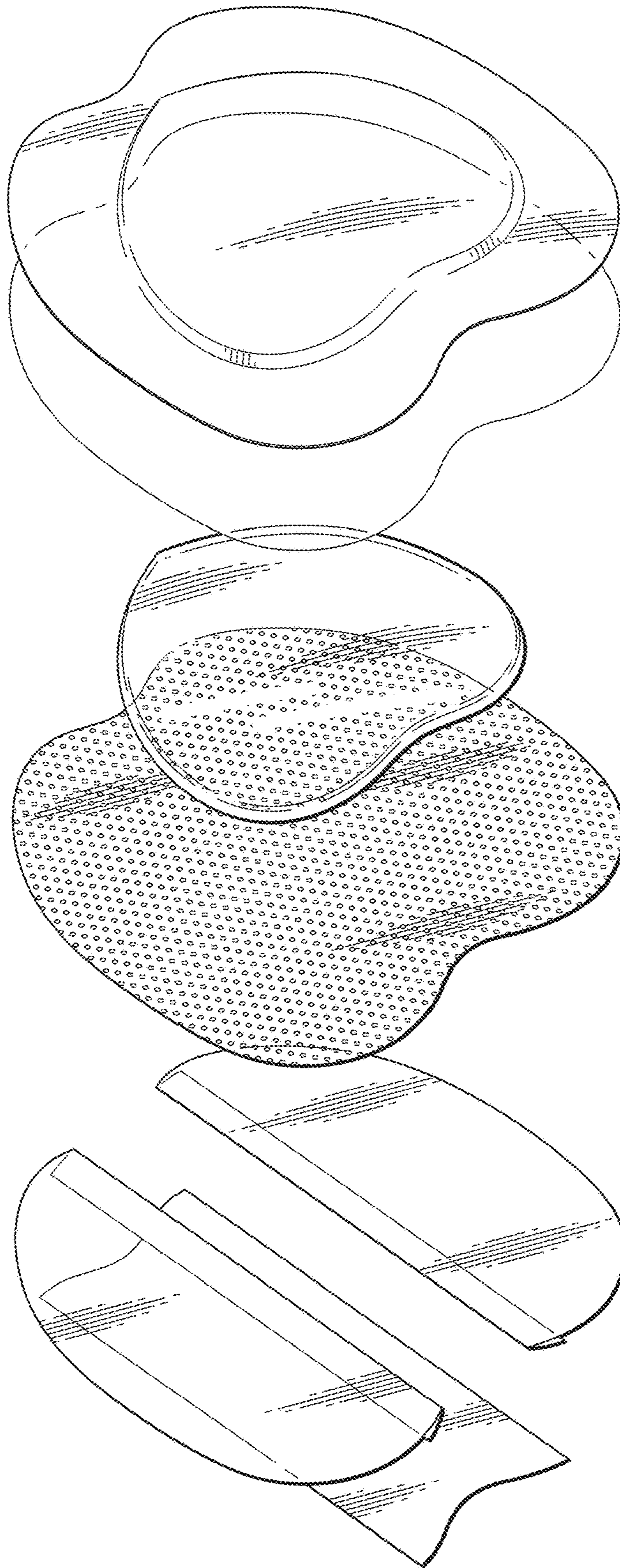


FIG. 3

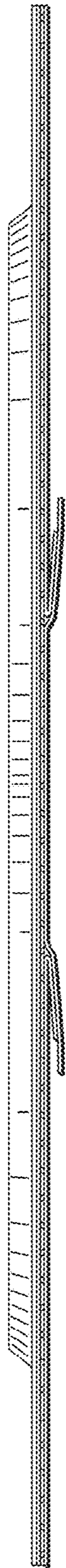
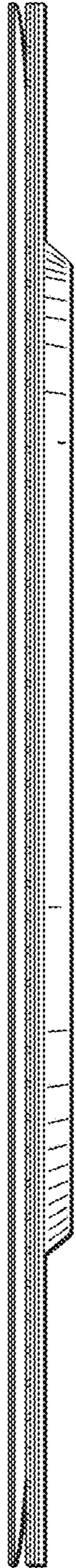
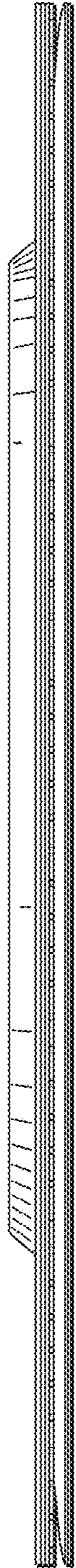
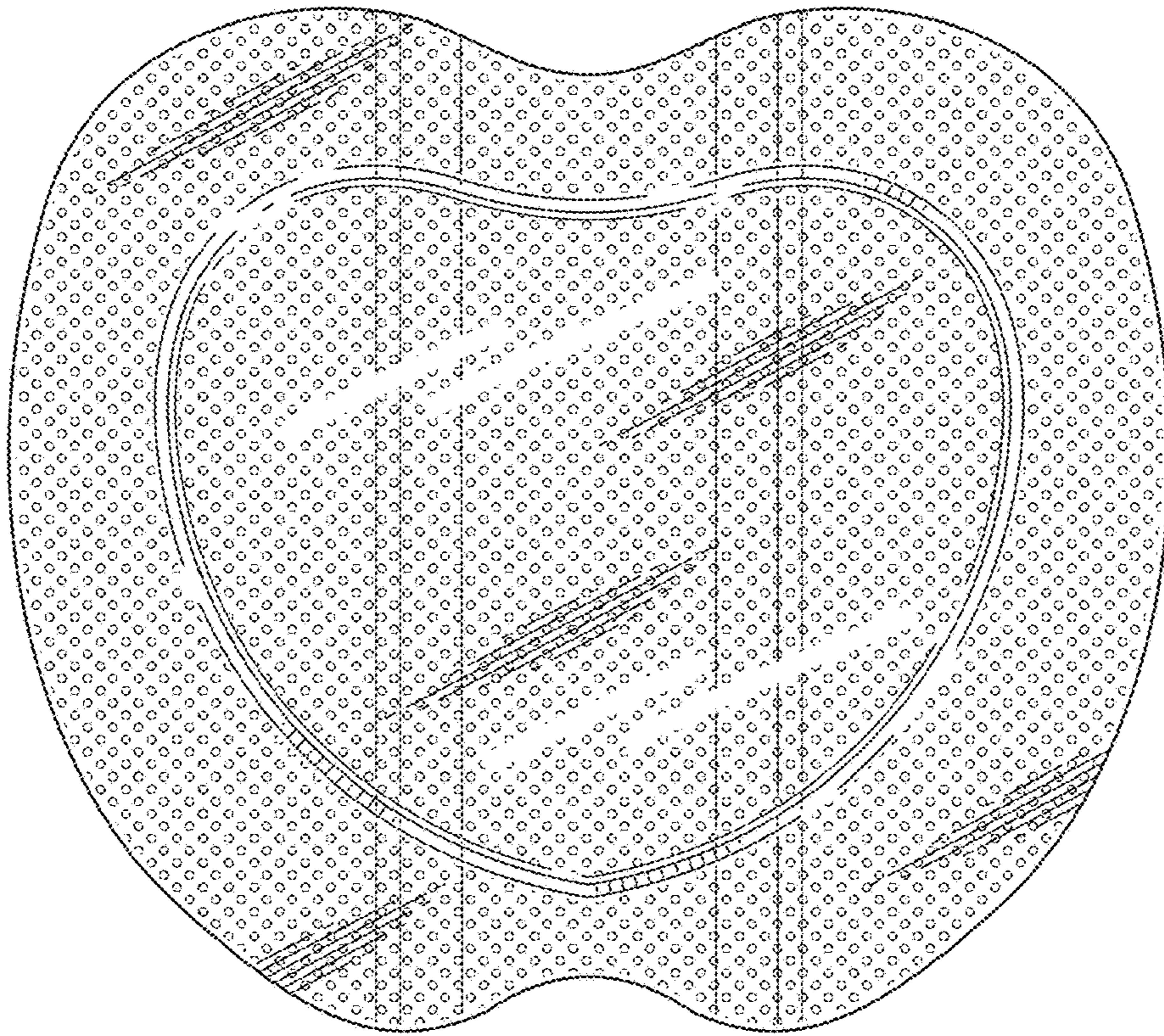


FIG. 4

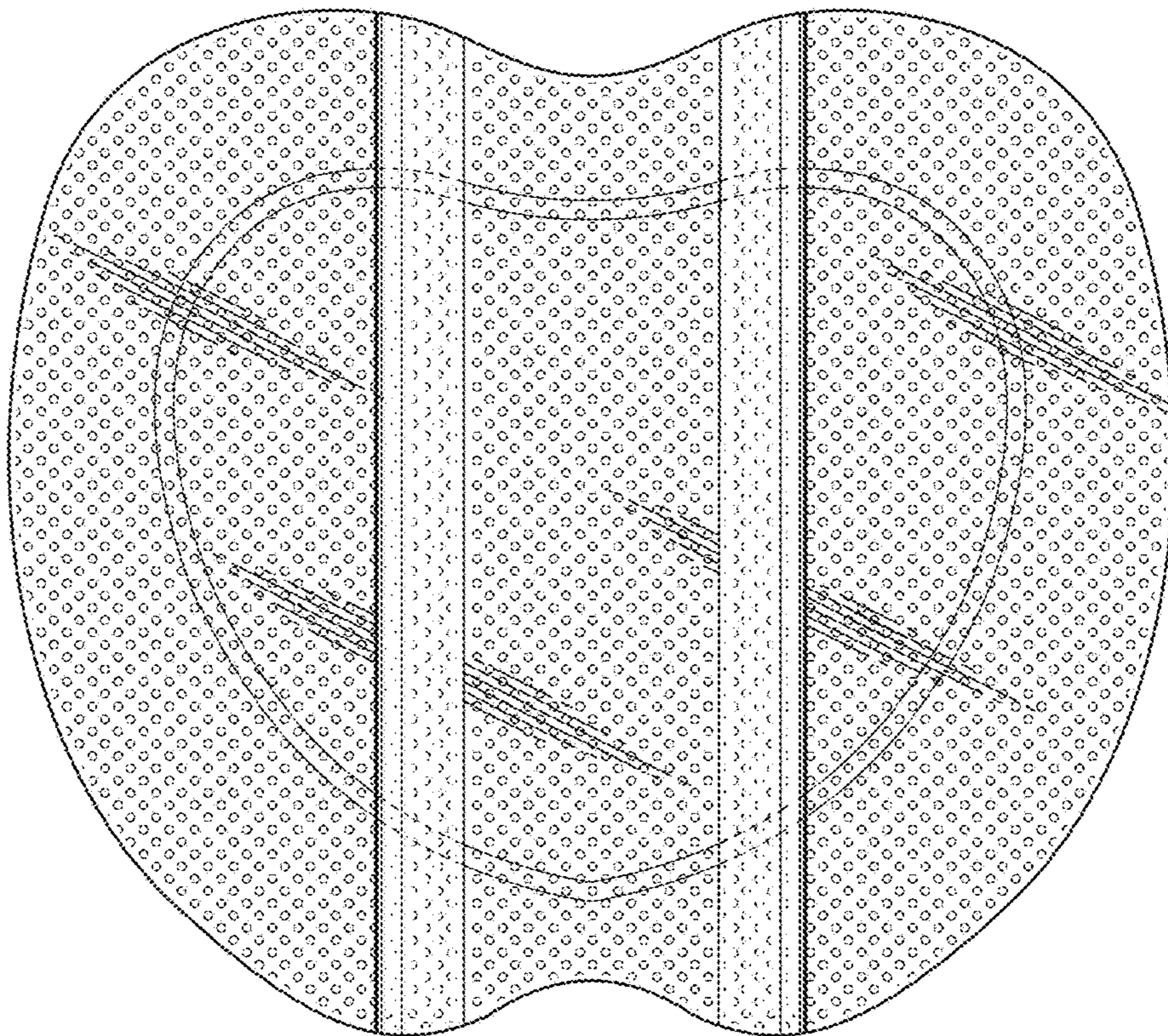
FIG. 5

FIG. 6

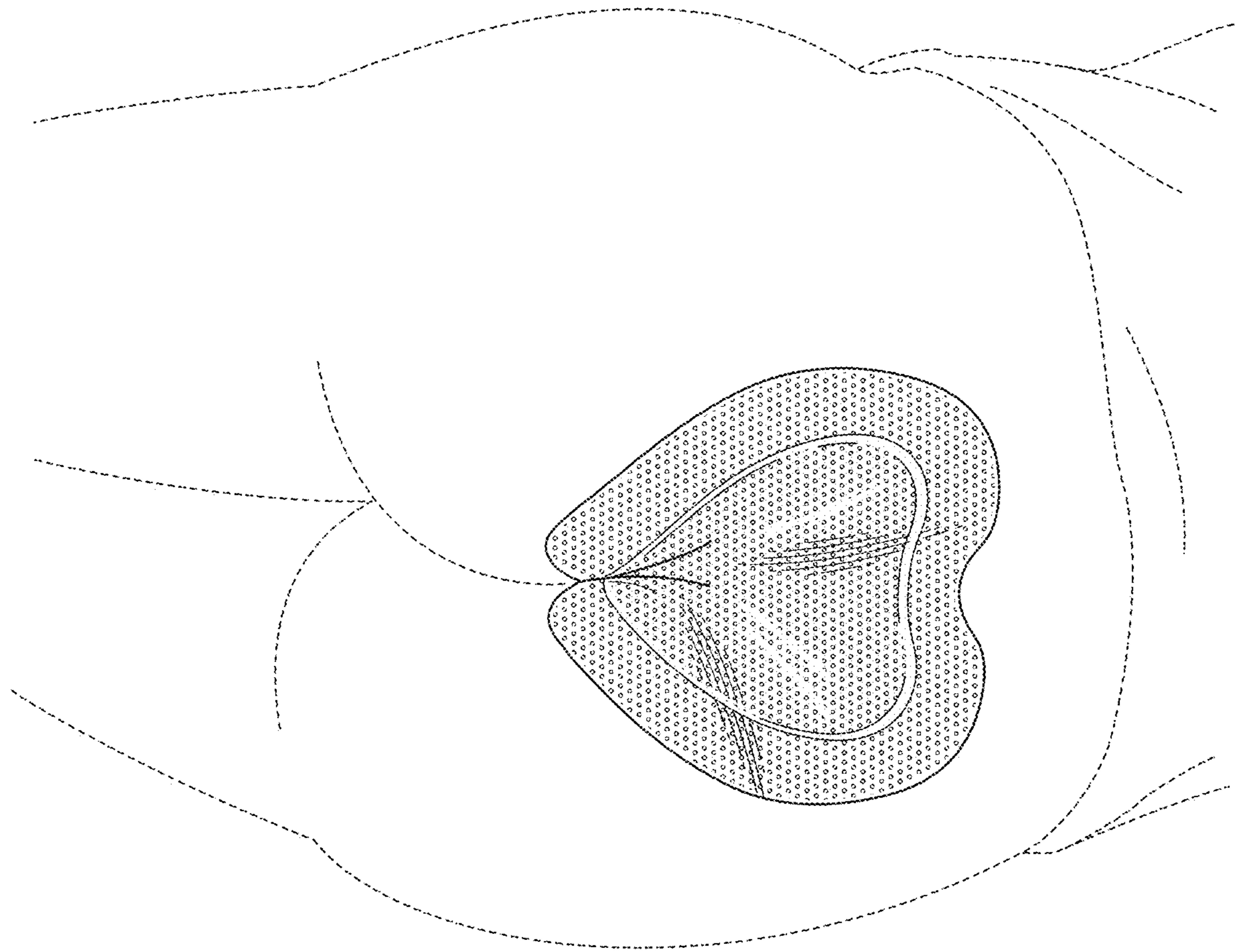
FIG. 7



**FIG. 8**



**FIG. 9**



**FIG. 10**

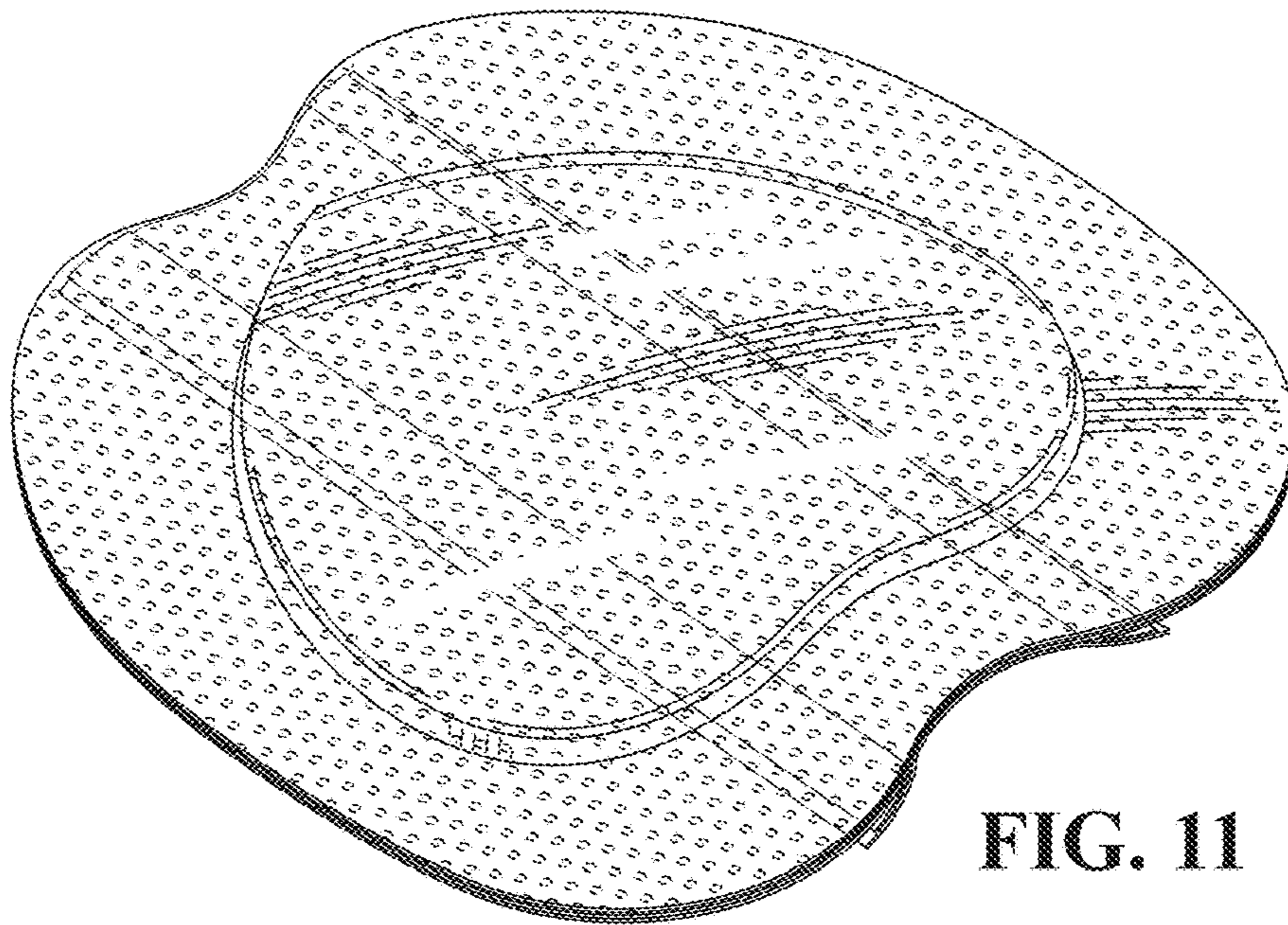


FIG. 11

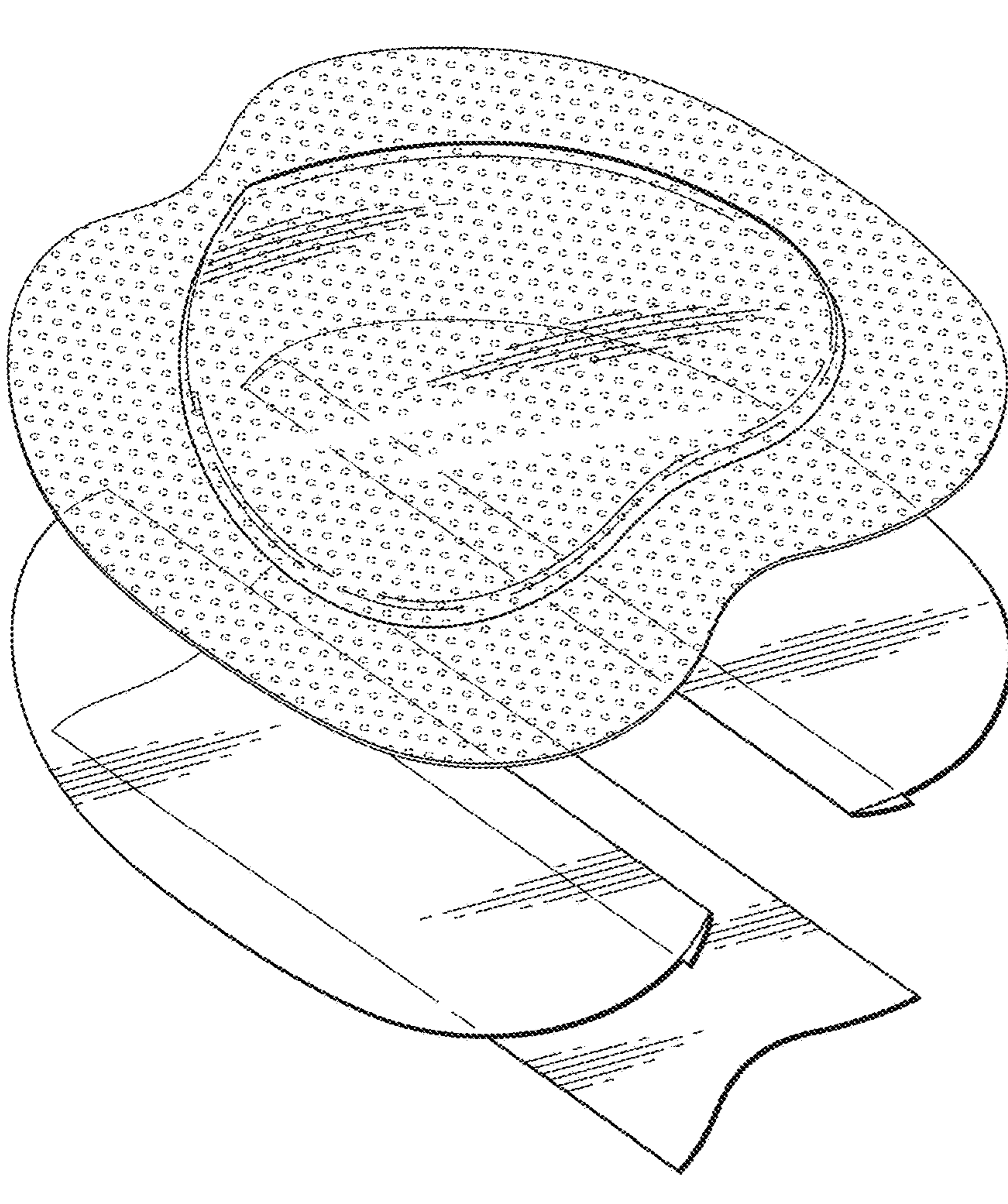


FIG. 12



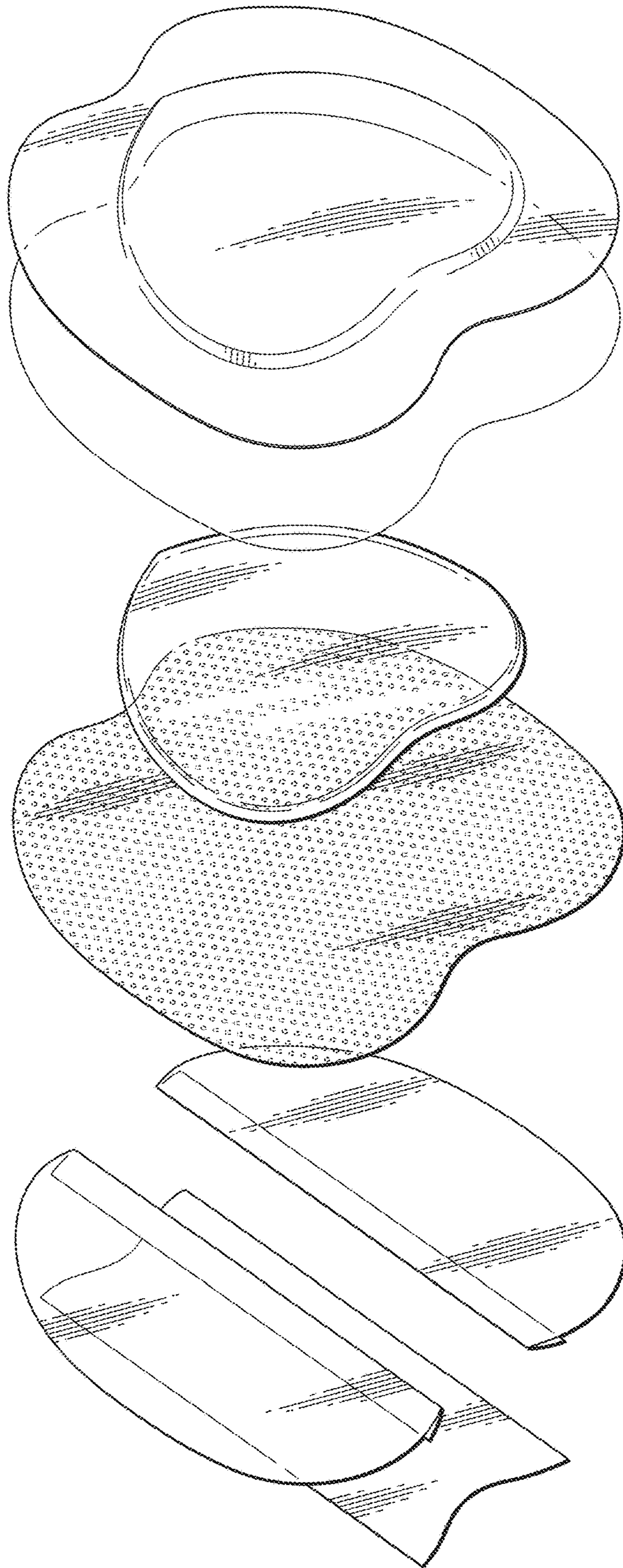


FIG. 13

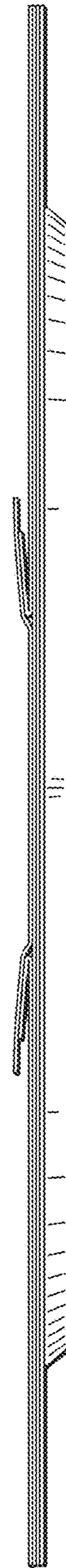
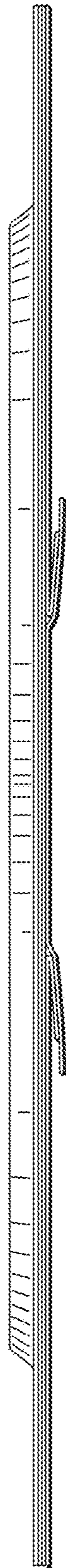
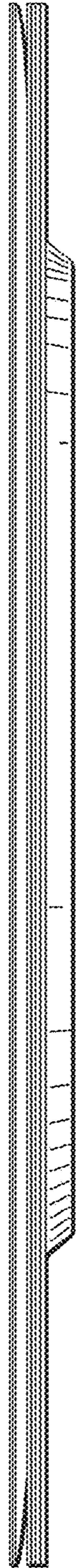
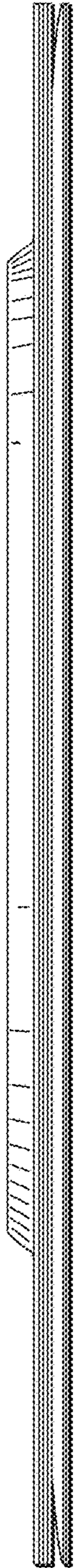


FIG. 14

FIG. 15

FIG. 16

FIG. 17

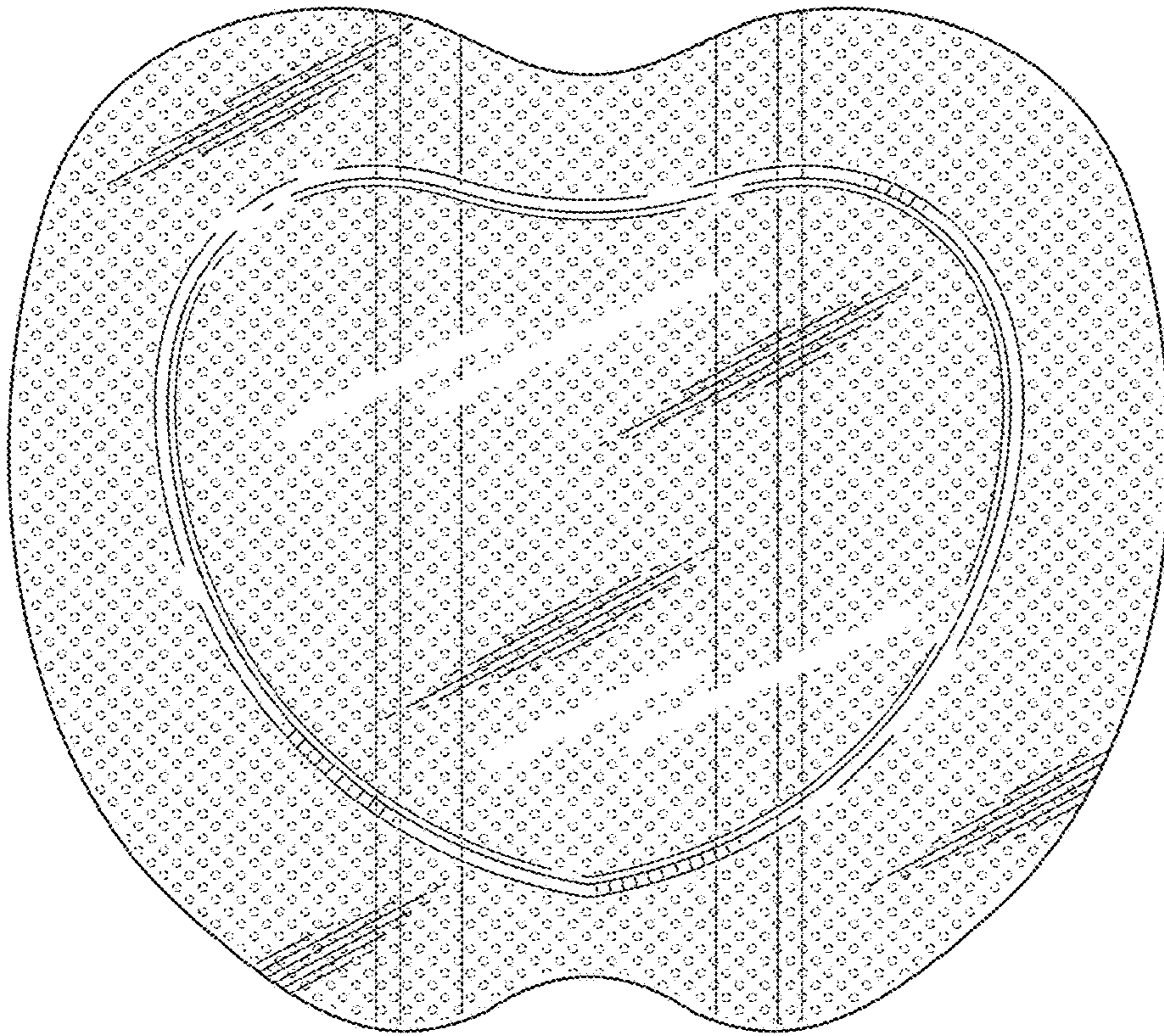


FIG. 18

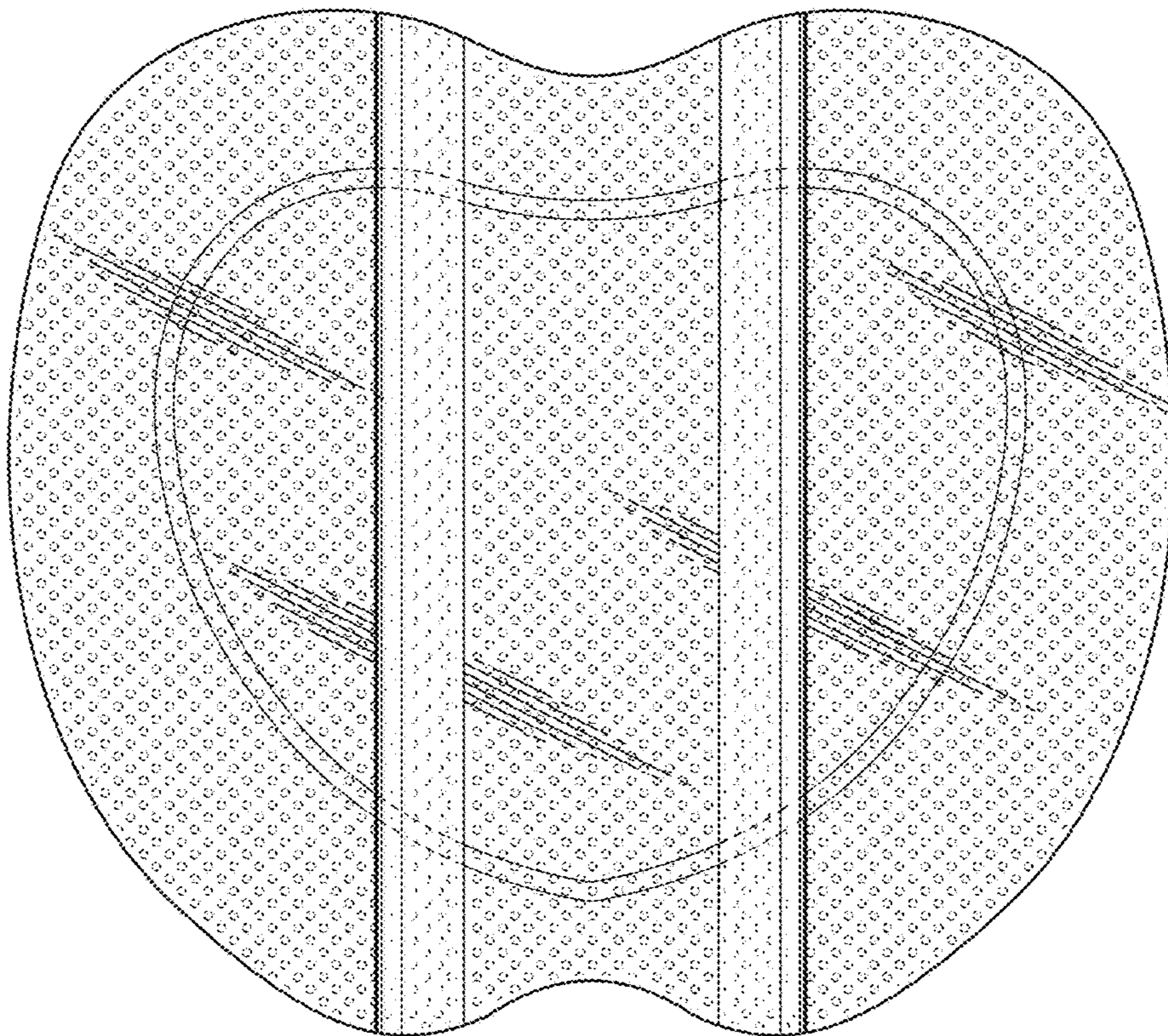


FIG. 19

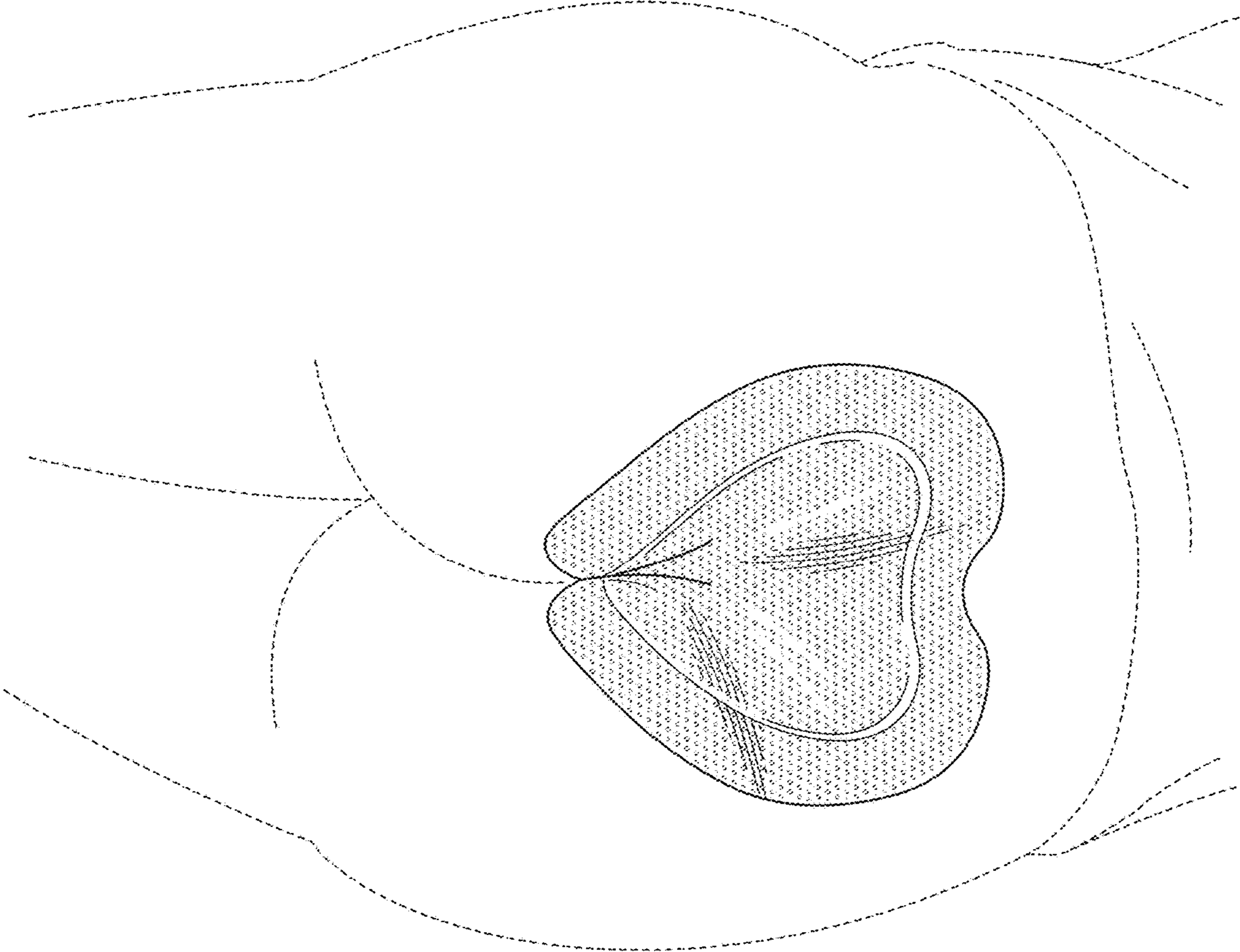


FIG. 20

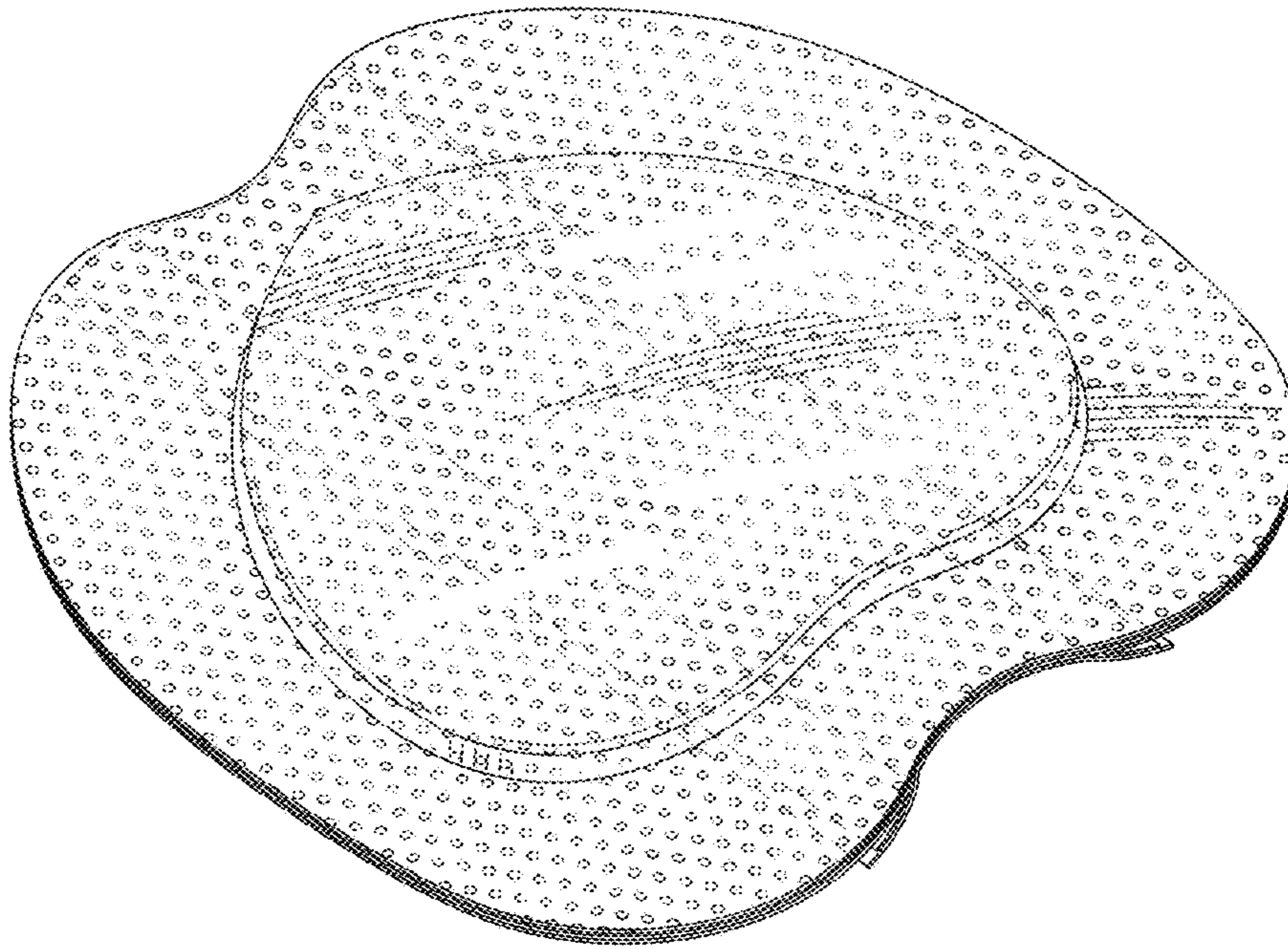


FIG. 21

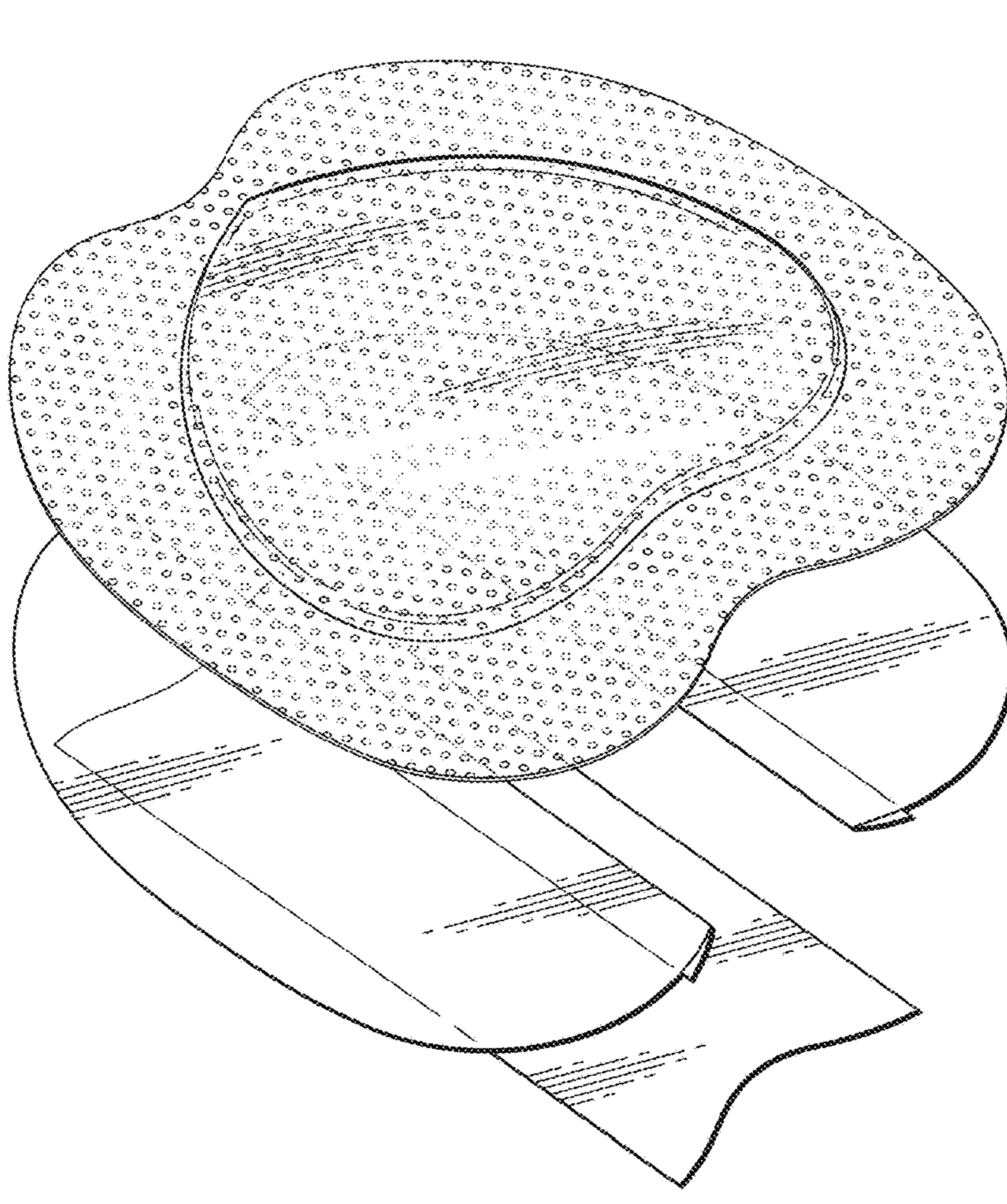


FIG. 22

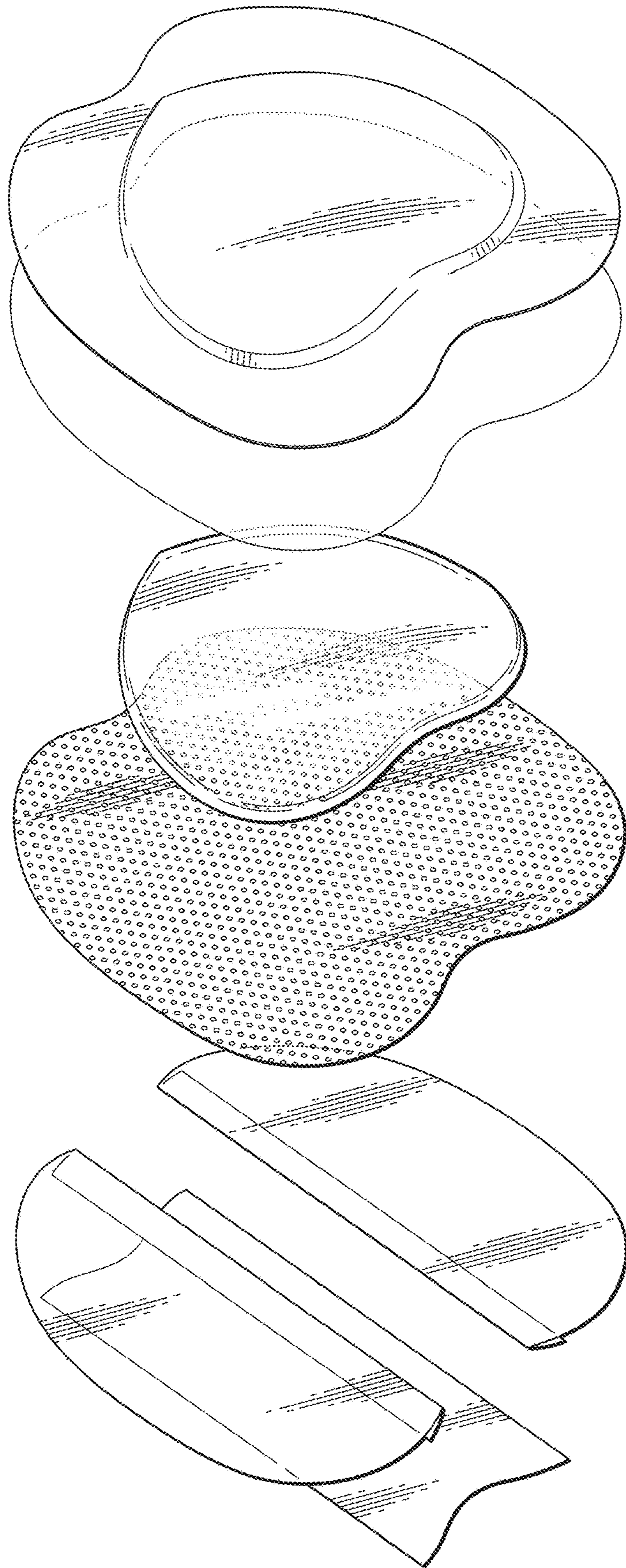


FIG. 23

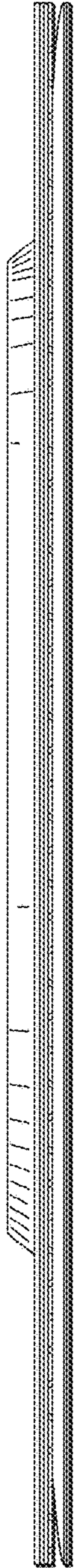


FIG. 24



FIG. 25

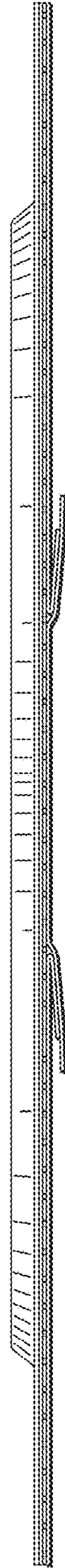


FIG. 26



FIG. 27

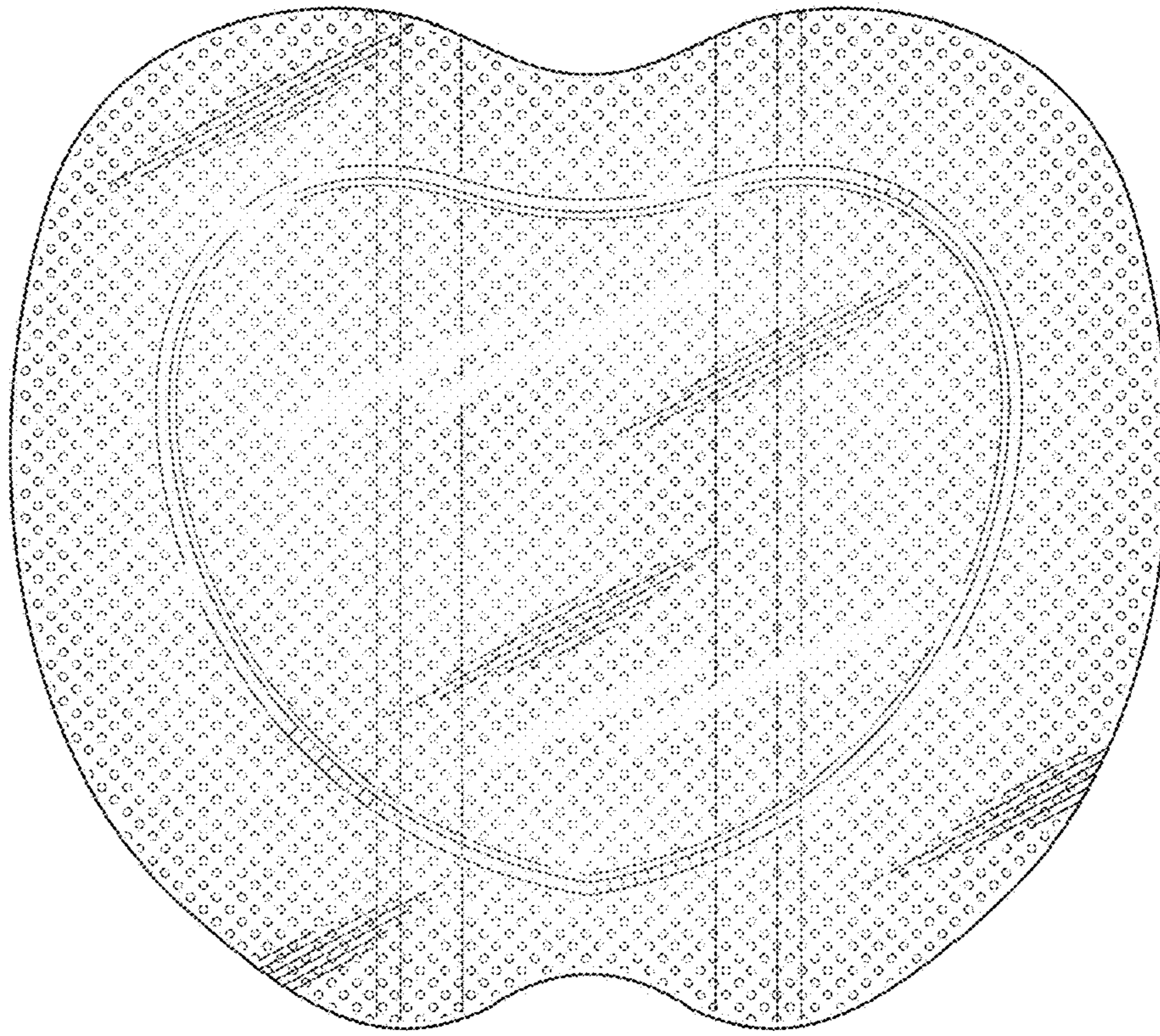


FIG. 28

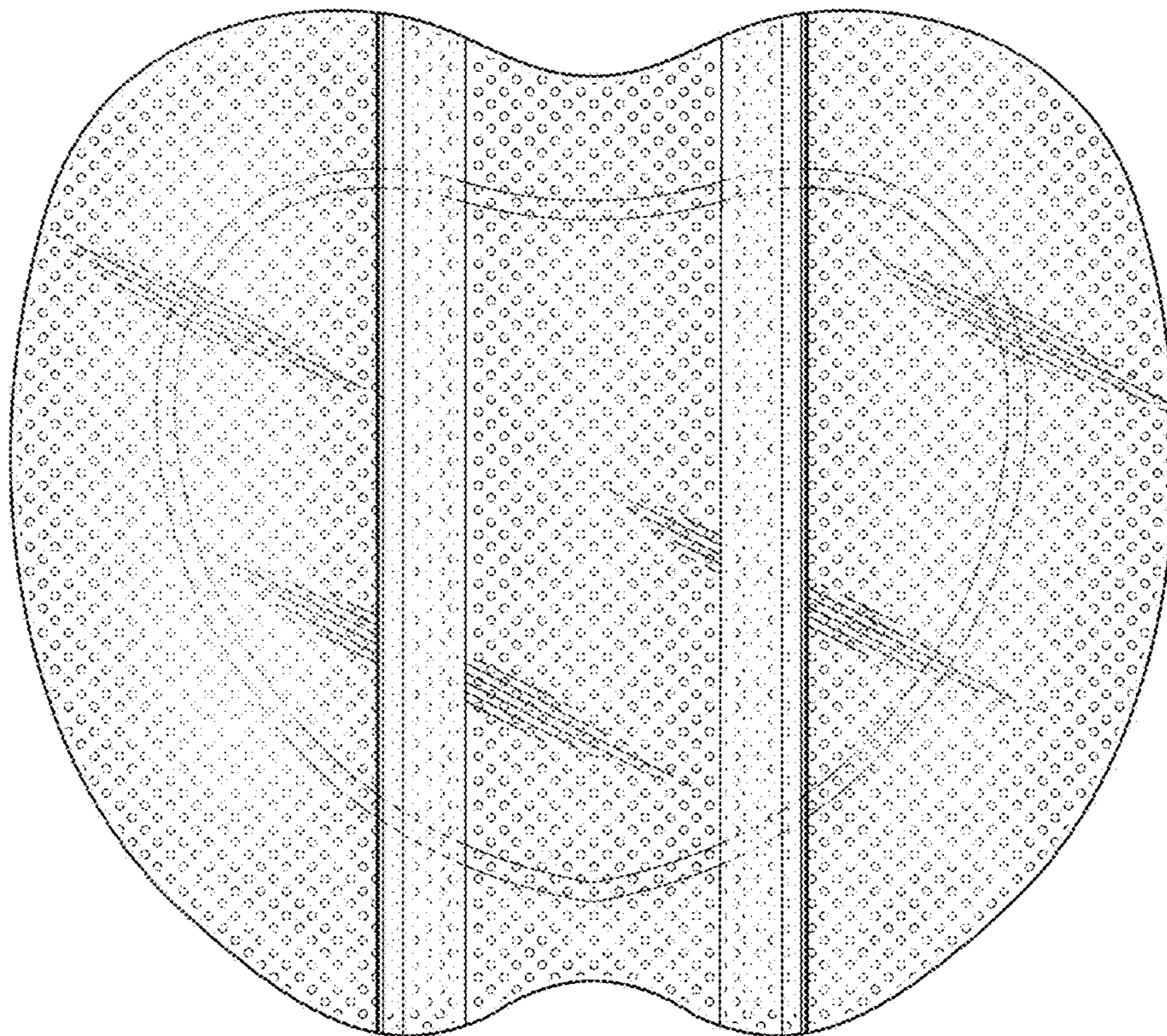


FIG. 29



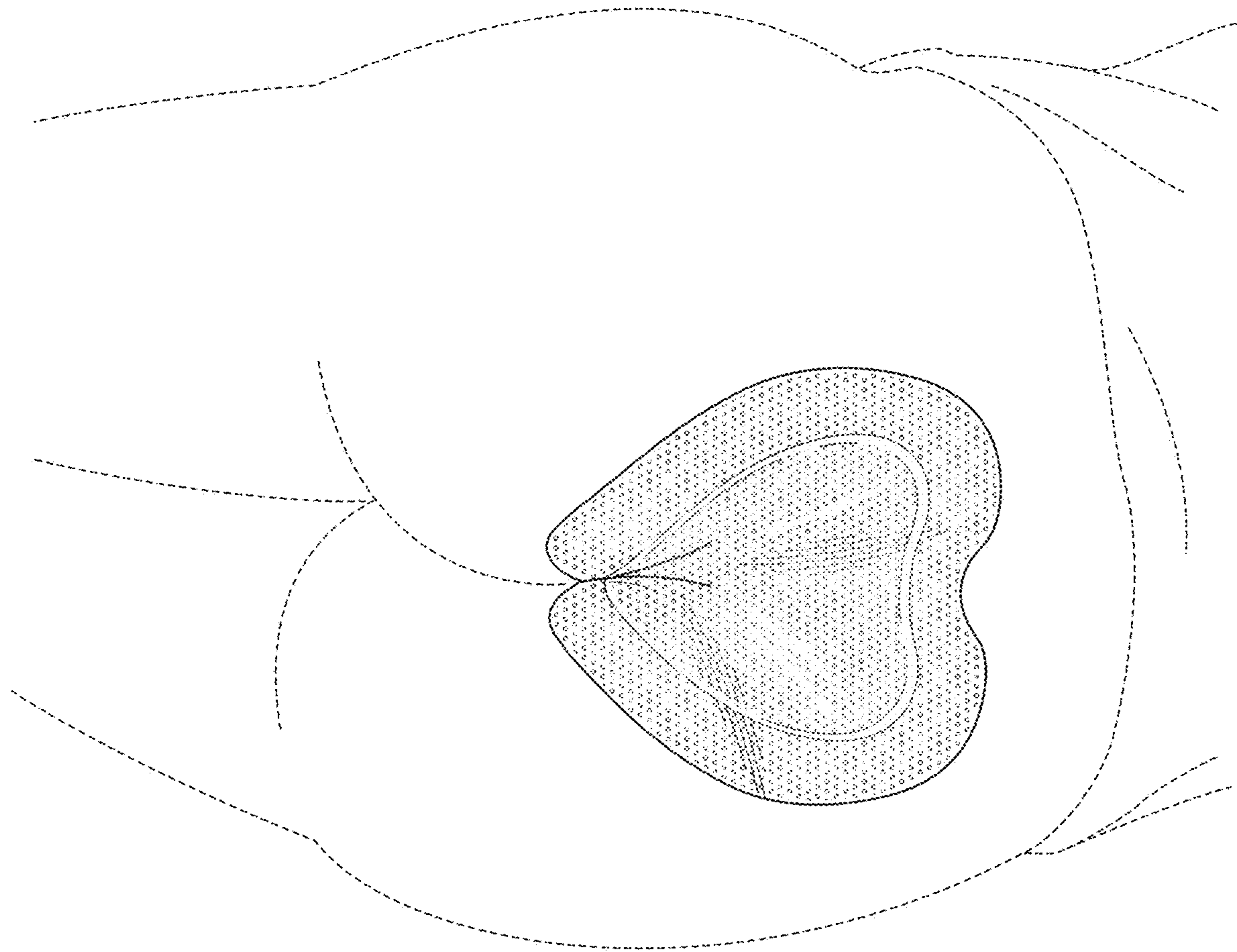


FIG. 30

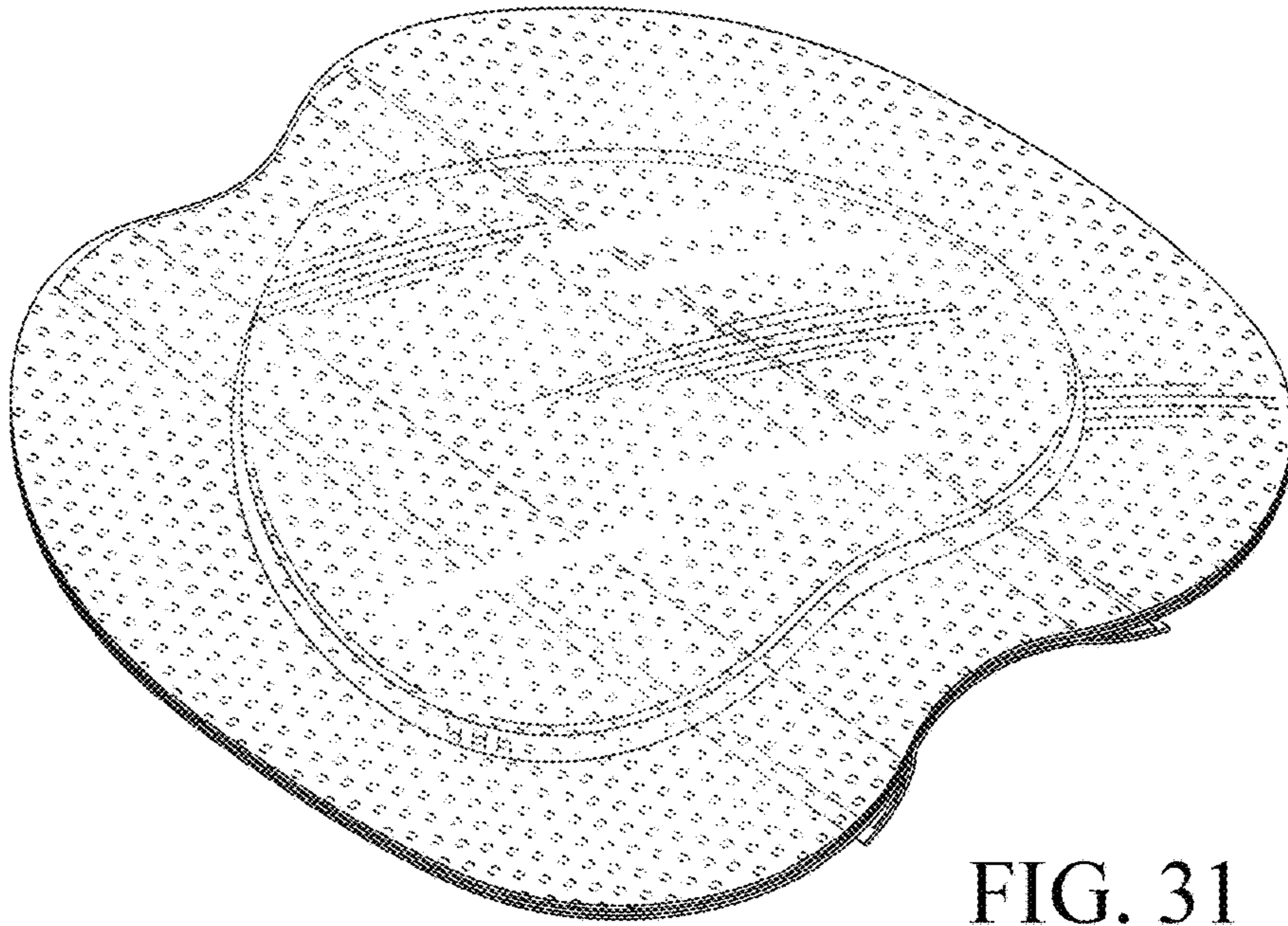


FIG. 31

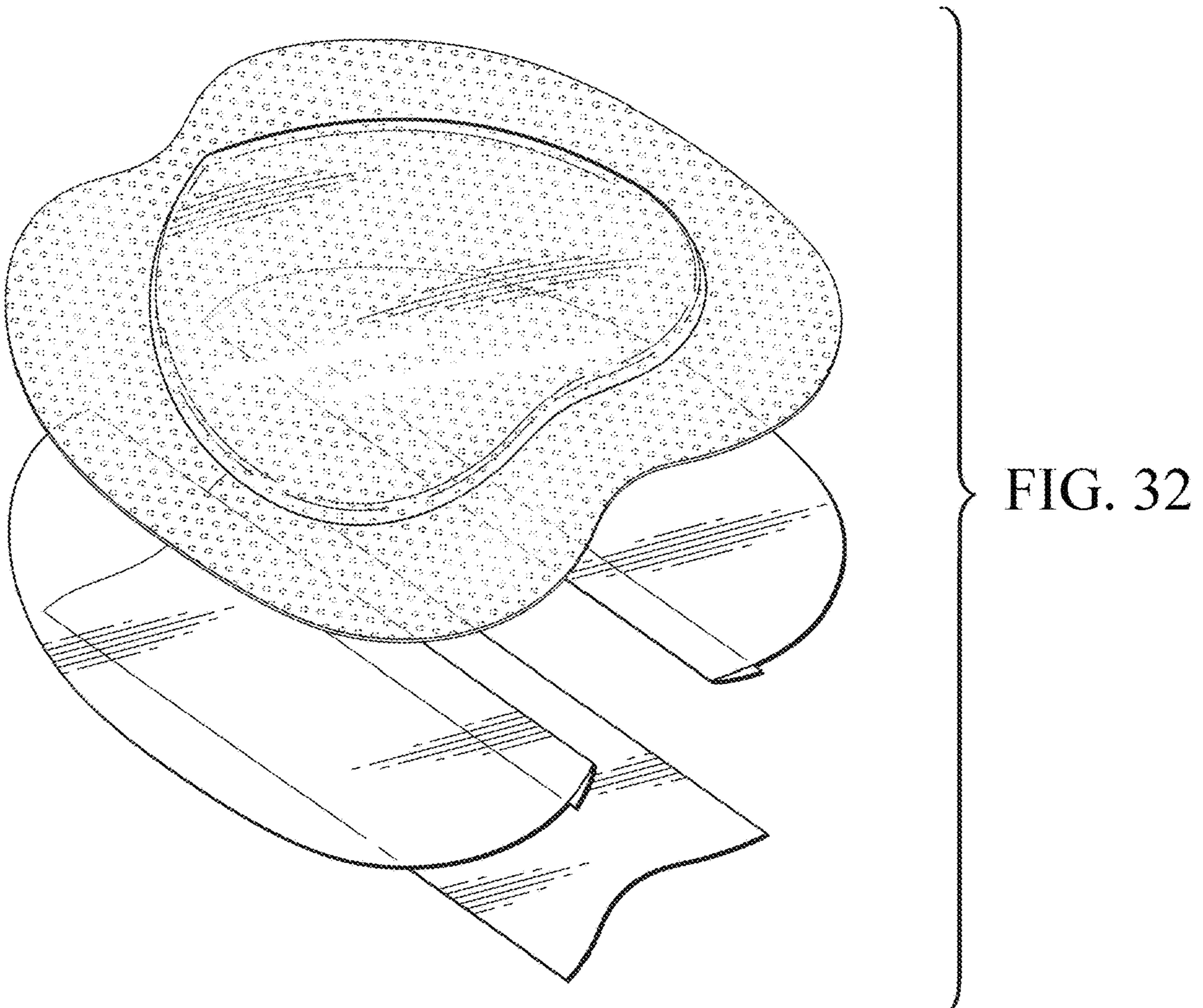


FIG. 32

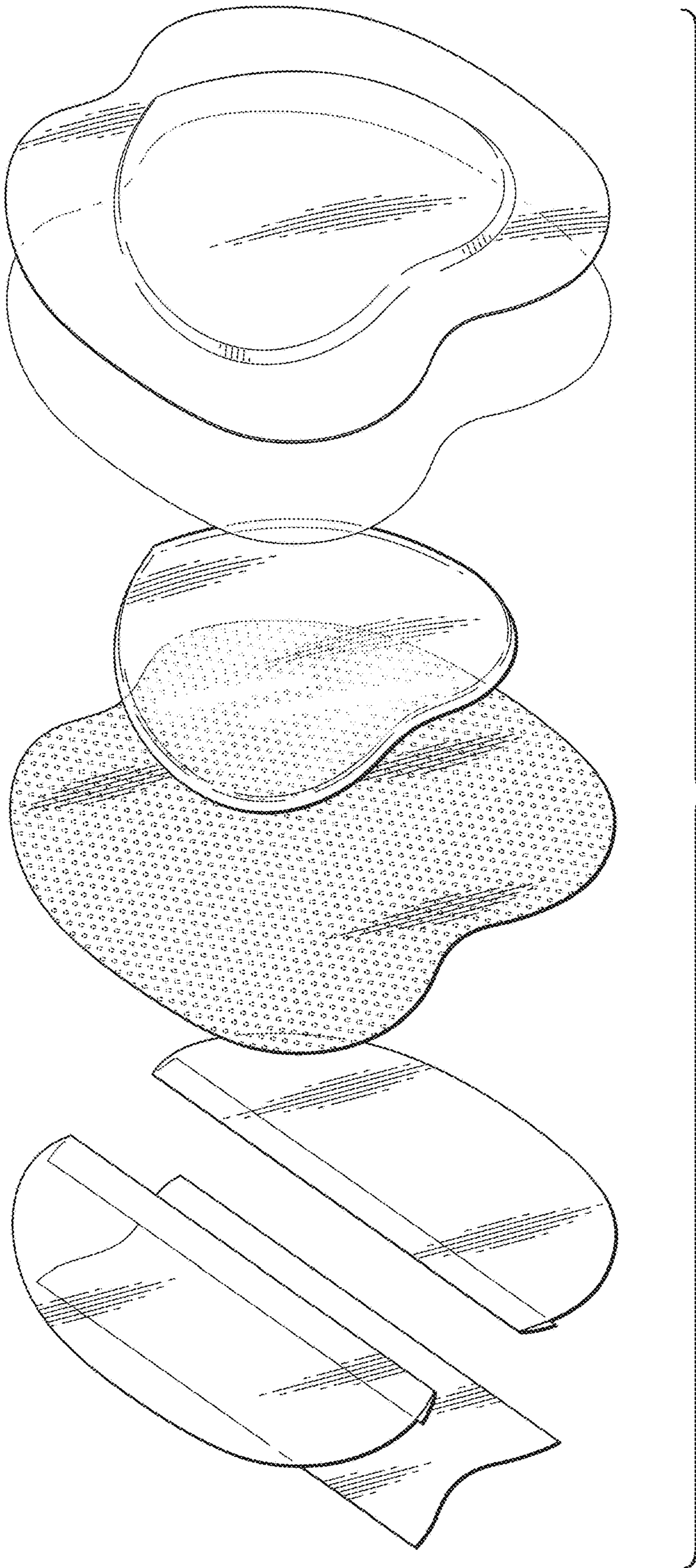


FIG. 33

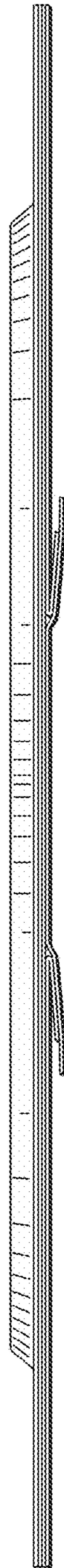
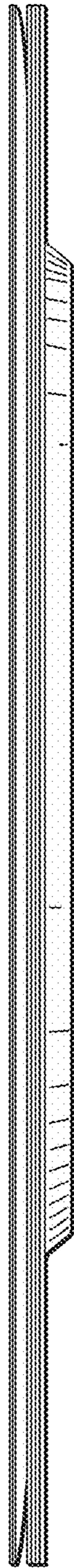
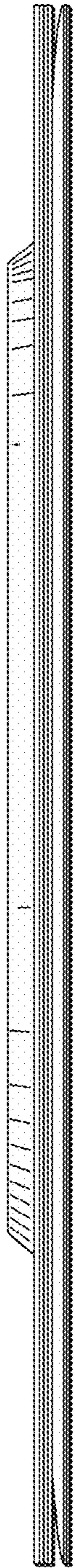


FIG. 34

FIG. 35

FIG. 36

FIG. 37

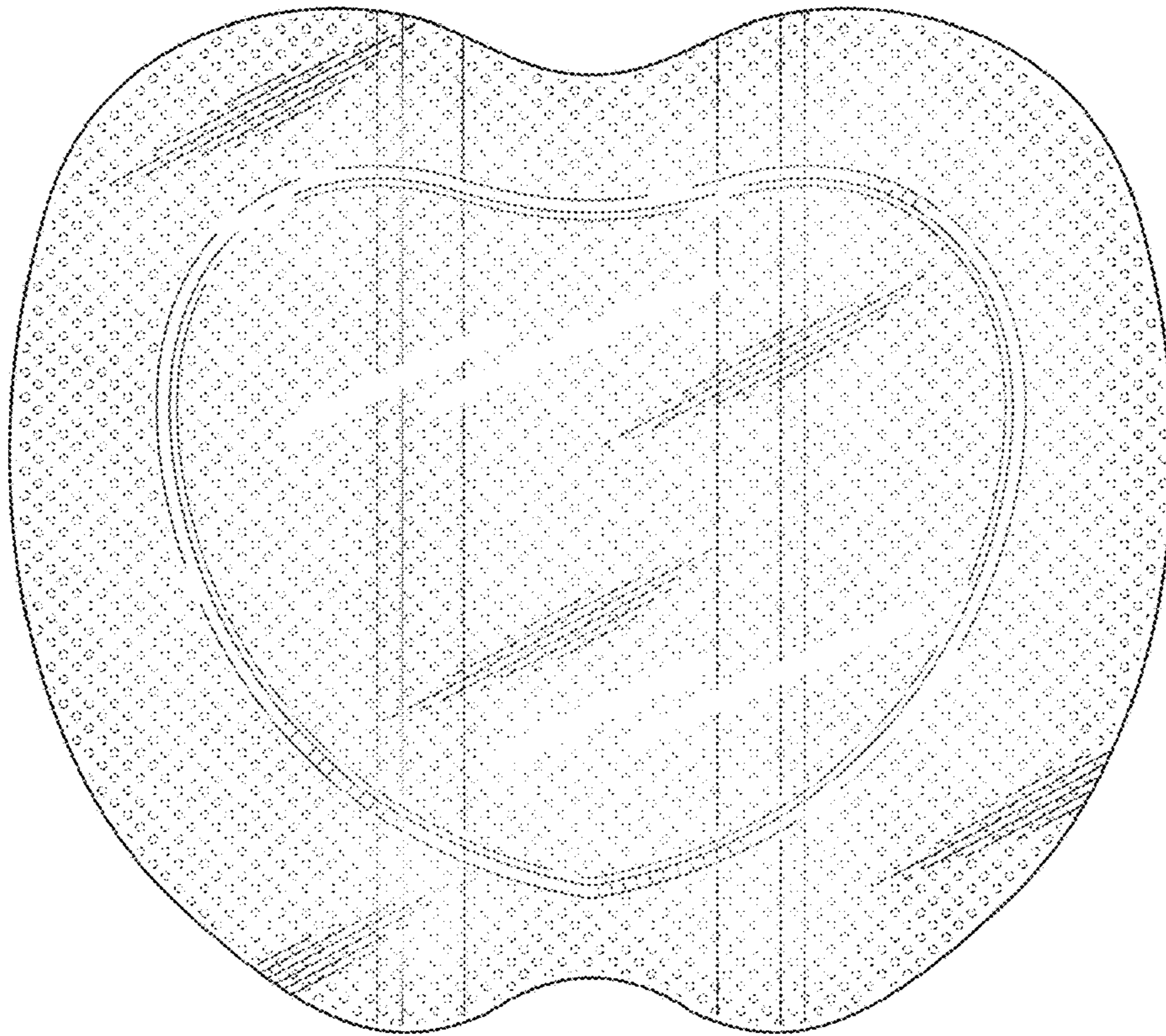


FIG. 38

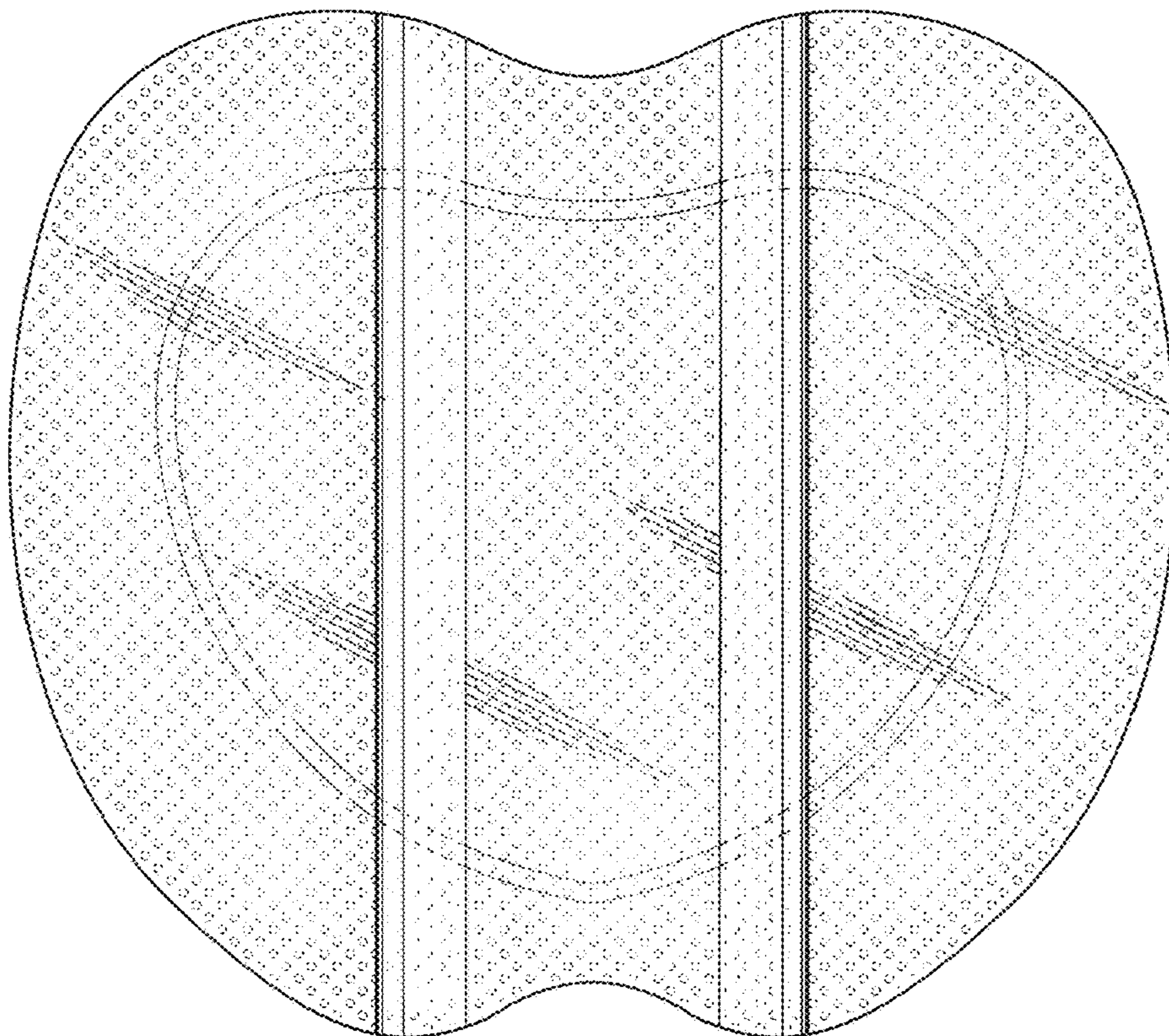


FIG. 39

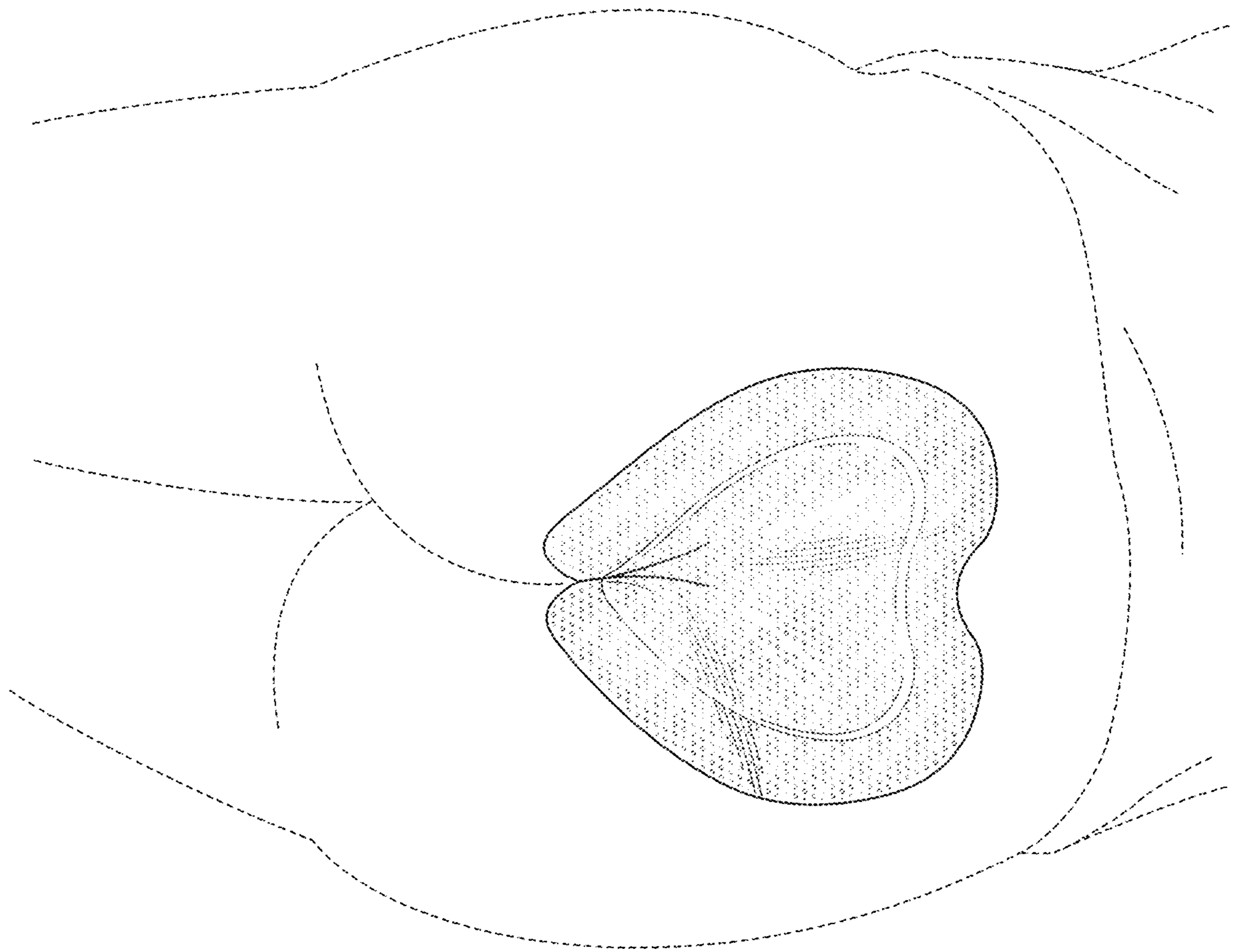


FIG. 40