



US00D936842S

(12) **United States Design Patent** (10) **Patent No.:** **US D936,842 S**  
**Wu et al.** (45) **Date of Patent:** **\*\* Nov. 23, 2021**

(54) **MEDICAL IMAGING CART**

- (71) Applicant: **GE Precision Healthcare LLC**,  
Milwaukee, WI (US)
- (72) Inventors: **Yue Wu**, Wuxi (CN); **Liangmao He**,  
Wuxi (CN); **Lionel Wodecki**, Buc (FR);  
**Li Liu**, Wuxi (CN); **Lanping Liu**,  
Wuxi (CN); **Junping Zou**, Wuxi (CN)
- (73) Assignee: **GE Precision Healthcare LLC**,  
Milwaukee, WI (US)
- (\*\*) Term: **15 Years**
- (21) Appl. No.: **29/700,248**
- (22) Filed: **Jul. 31, 2019**
- (51) **LOC (13) Cl.** ..... **24-01**
- (52) **U.S. Cl.**  
USPC ..... **D24/186; D24/158**
- (58) **Field of Classification Search**  
USPC ..... **D24/107, 167, 158, 160, 185-187, 231;**  
**D34/12, 14; D14/302, 308**  
(Continued)

(56) **References Cited**

**U.S. PATENT DOCUMENTS**

- 6,648,825 B1 \* 11/2003 Mesaros ..... A61B 8/467  
600/437
- D606,202 S 12/2009 Banryu  
(Continued)

*Primary Examiner* — Anhdao Doan

(74) *Attorney, Agent, or Firm* — McCoy Russell LLP

(57) **CLAIM**

The ornamental design for a medical imaging cart, as shown and described.

**DESCRIPTION**

FIG. 1 is a front perspective view of a medical imaging cart according to a first embodiment of the claimed design.

FIG. 2 is a rear perspective view of the medical imaging cart of FIG. 1.

FIG. 3 is a front view of the medical imaging cart of FIG. 1.

FIG. 4 is a rear view of the medical imaging cart of FIG. 1. FIG. 5 is a right side view of the medical imaging cart of FIG. 1.

FIG. 6 is a left side view of the medical imaging cart of FIG. 1.

FIG. 7 is a top view of the medical imaging cart of FIG. 1. FIG. 8 is a bottom view of the medical imaging cart of FIG. 1.

FIG. 9 is a front perspective view of a medical imaging cart according to a second embodiment of the claimed design.

FIG. 10 is a rear perspective view of the medical imaging cart of FIG. 9.

FIG. 11 is a front view of the medical imaging cart of FIG. 9.

FIG. 12 is a rear view of the medical imaging cart of FIG. 9.

FIG. 13 is a right side view of the medical imaging cart of FIG. 9.

FIG. 14 is a left side view of the medical imaging cart of FIG. 9.

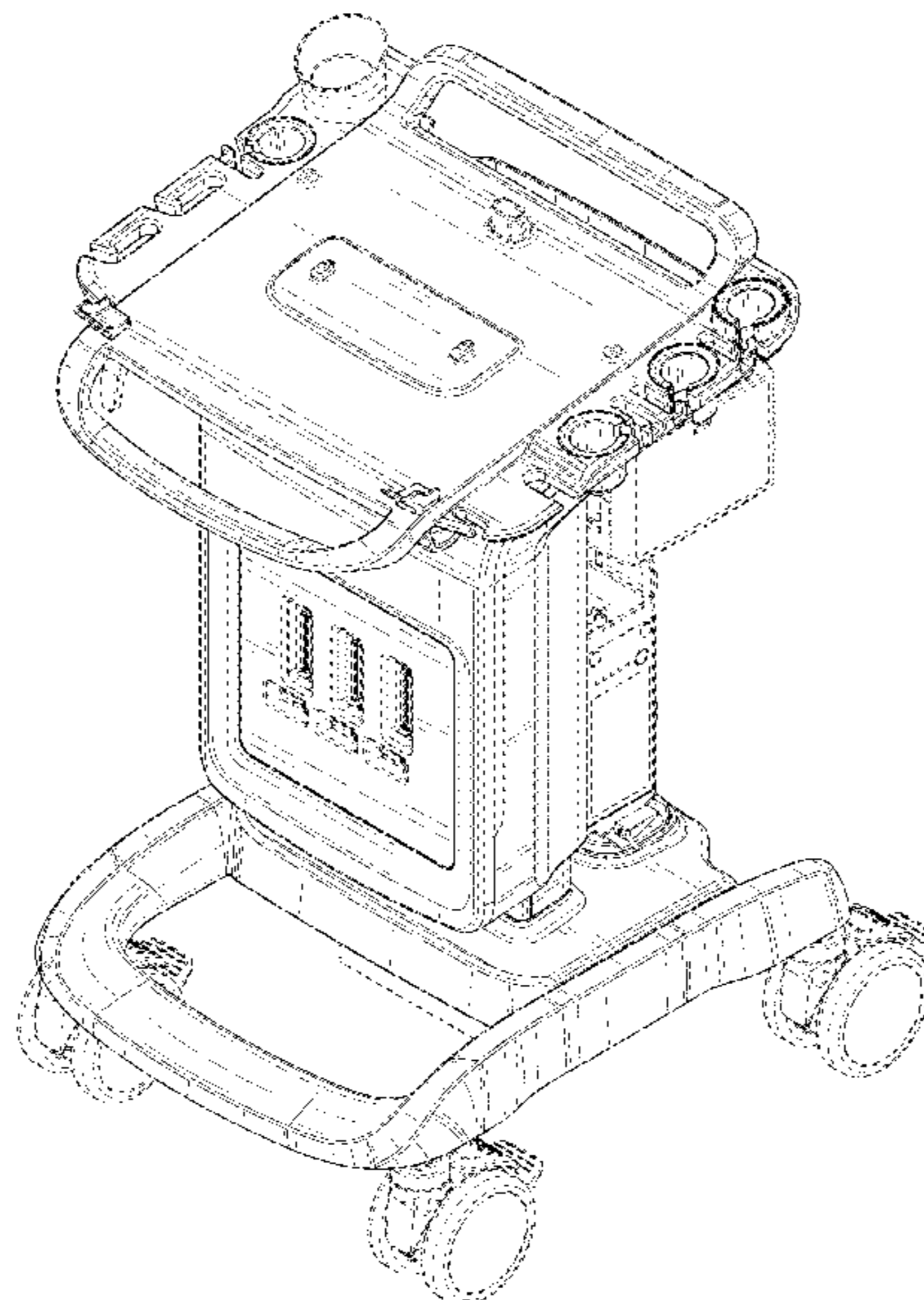
FIG. 15 is a top view of the medical imaging cart of FIG. 9; and,

FIG. 16 is a bottom view of the medical imaging cart of FIG. 9.

The broken lines in the drawings illustrate portions of the medical imaging cart that form no part of the claimed design.

The oblique hatch shading at the left side stripe and right side stripe in FIGS. 9-10 and 13-14 represents contrast in appearance, but any pattern formed by the shading forms no part of the claimed design, and no particular color is claimed.

**1 Claim, 16 Drawing Sheets**



(58) **Field of Classification Search**

CPC ..... A61B 6/4405; A61B 8/4405; A61B 8/462;  
A61B 8/467; A61B 5/338; A61B 50/13;  
A61G 12/001; A61M 2209/082; A61M  
2209/084

See application file for complete search history.

(56) **References Cited**

U.S. PATENT DOCUMENTS

D637,782 S *	5/2011	Steffens .....	D34/14
D696,783 S	12/2013	Chung et al.	
D712,042 S	8/2014	Chung et al.	
D806,340 S *	12/2017	Stalter .....	D34/14
D810,305 S *	2/2018	Zhang .....	D24/185
D843,585 S *	3/2019	Wu .....	D24/186
D853,564 S	7/2019	Henderson et al.	
D855,190 S *	7/2019	Wu .....	D24/185
2020/0237348 A1 *	7/2020	Kim .....	A61B 8/4405

\* cited by examiner

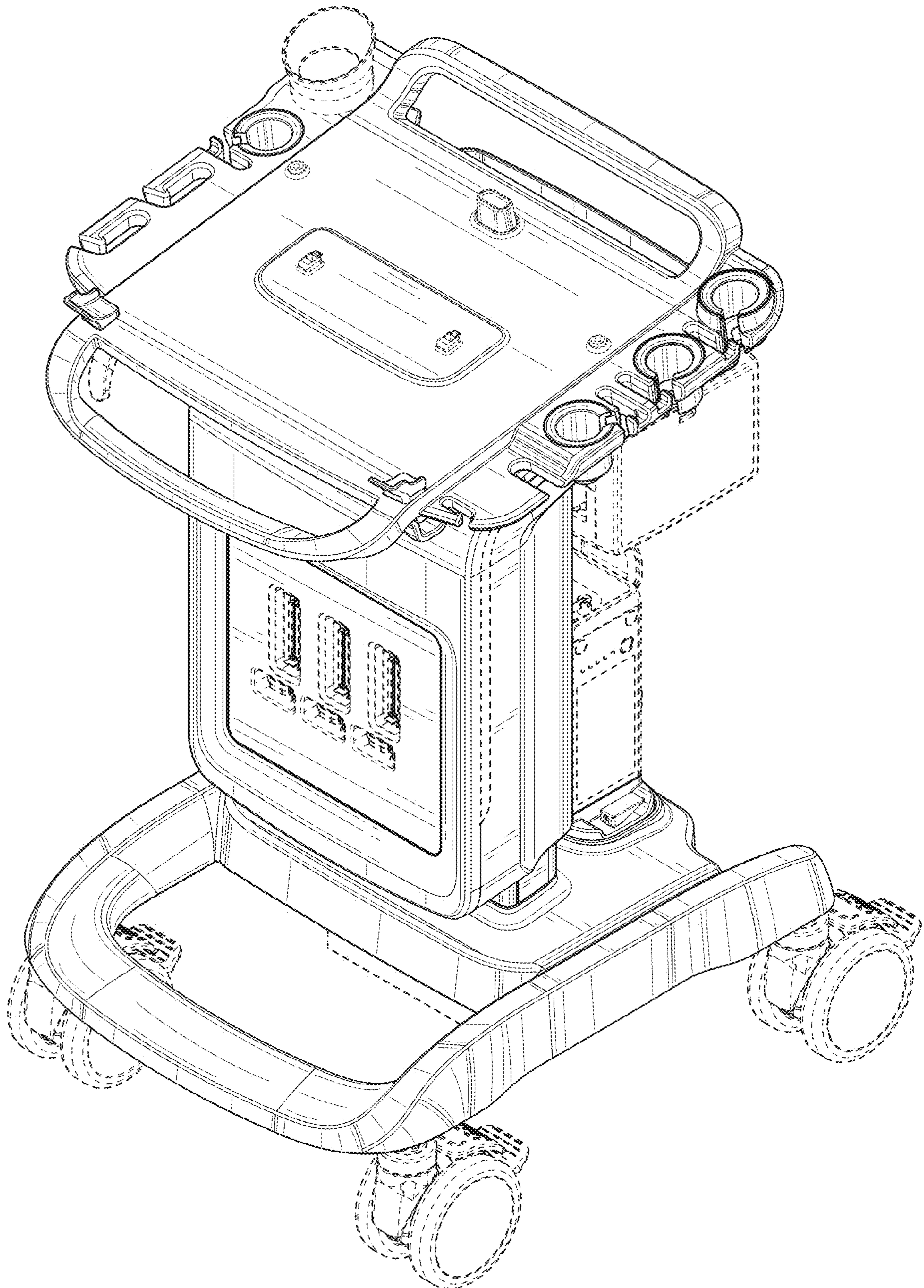


FIG. 1

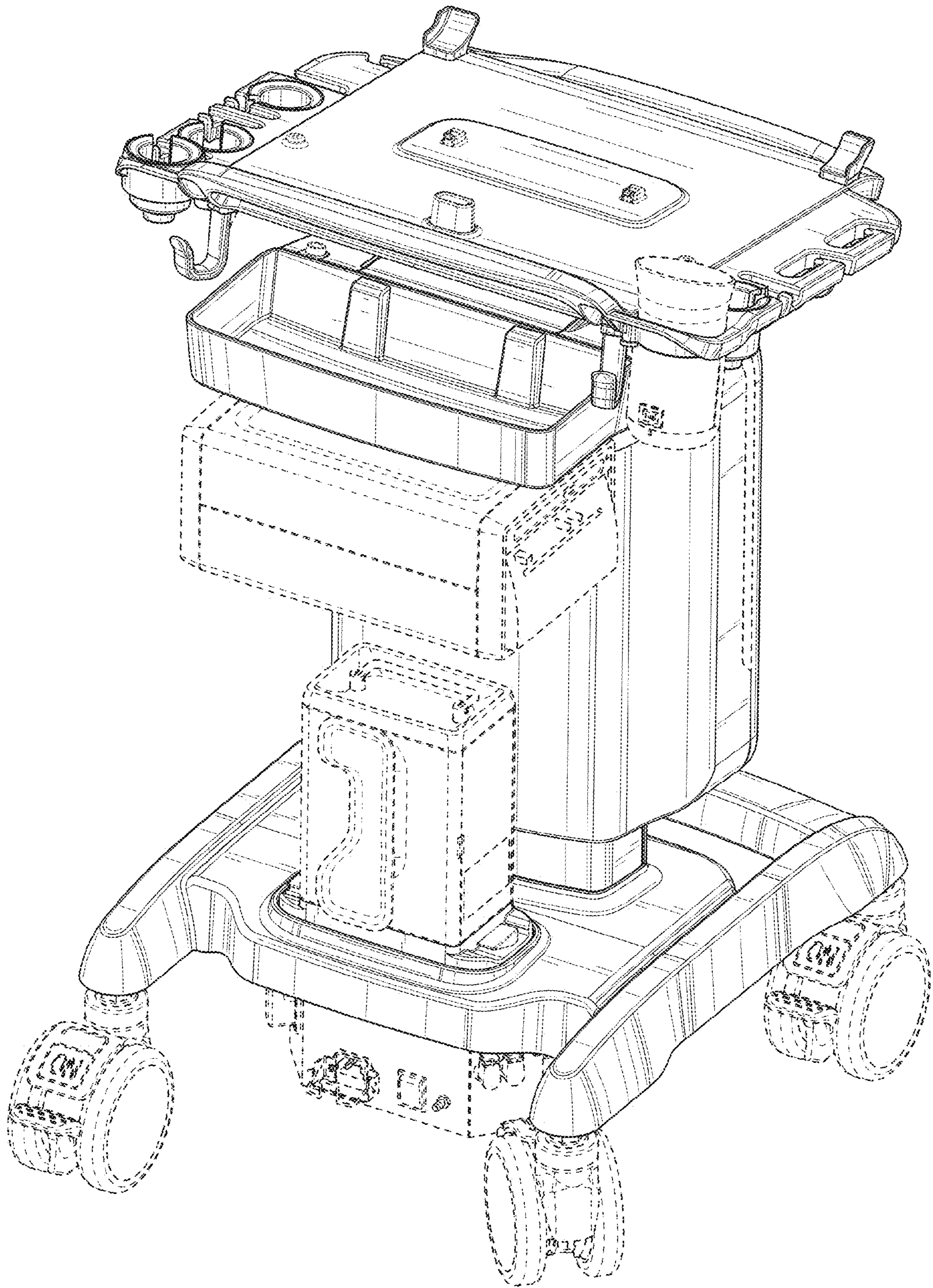


FIG. 2

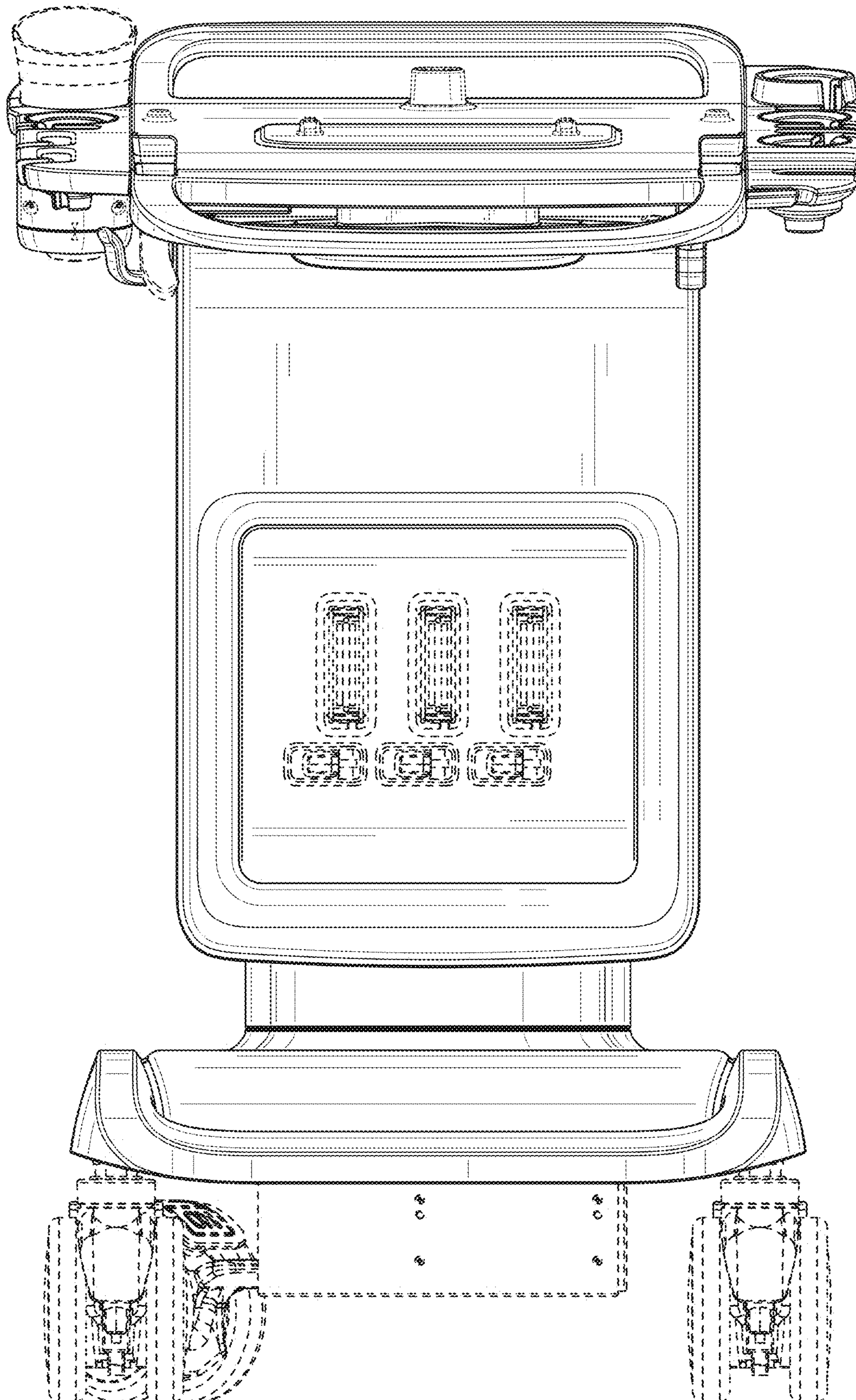


FIG. 3

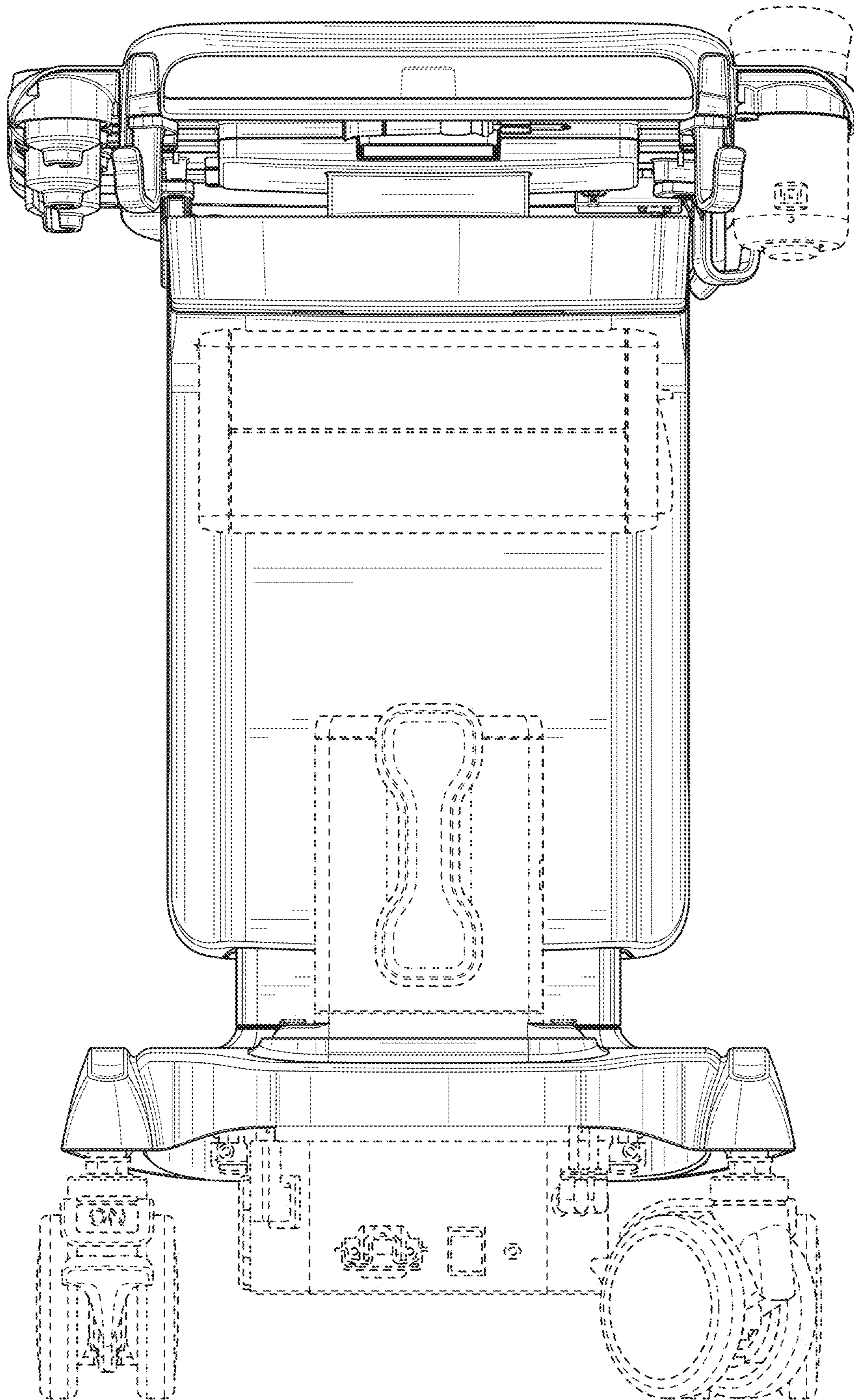


FIG. 4

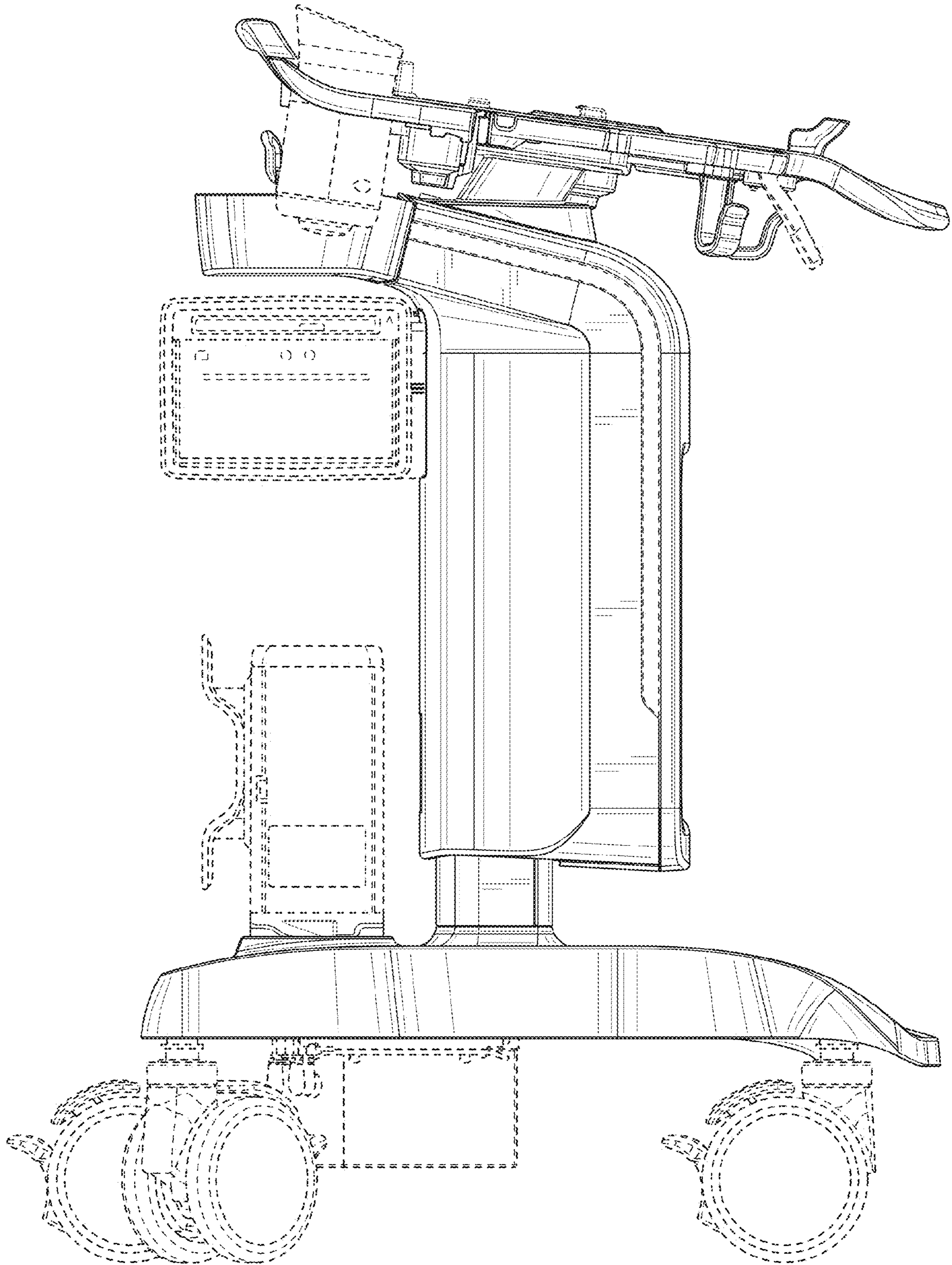


FIG. 5

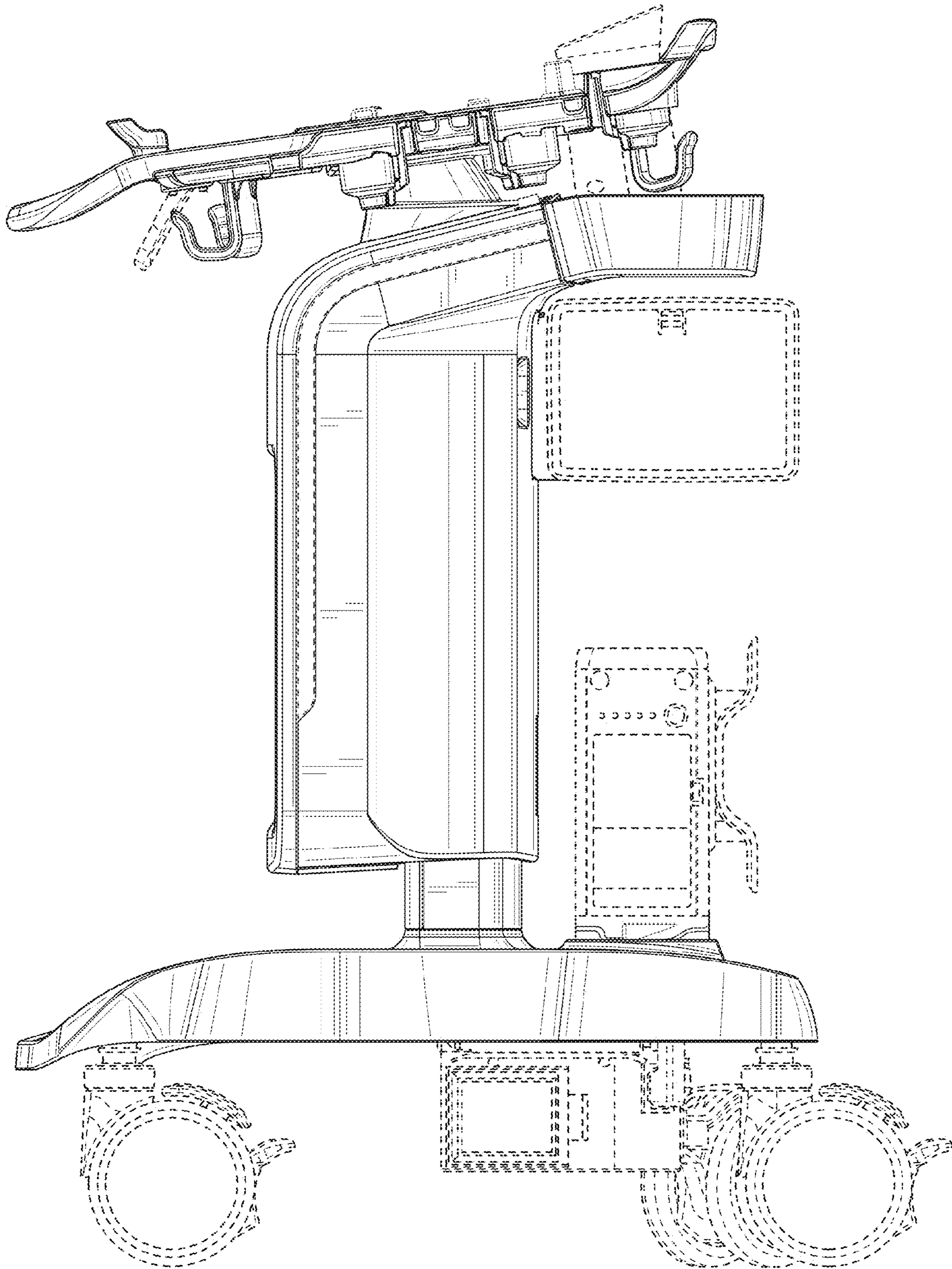


FIG. 6



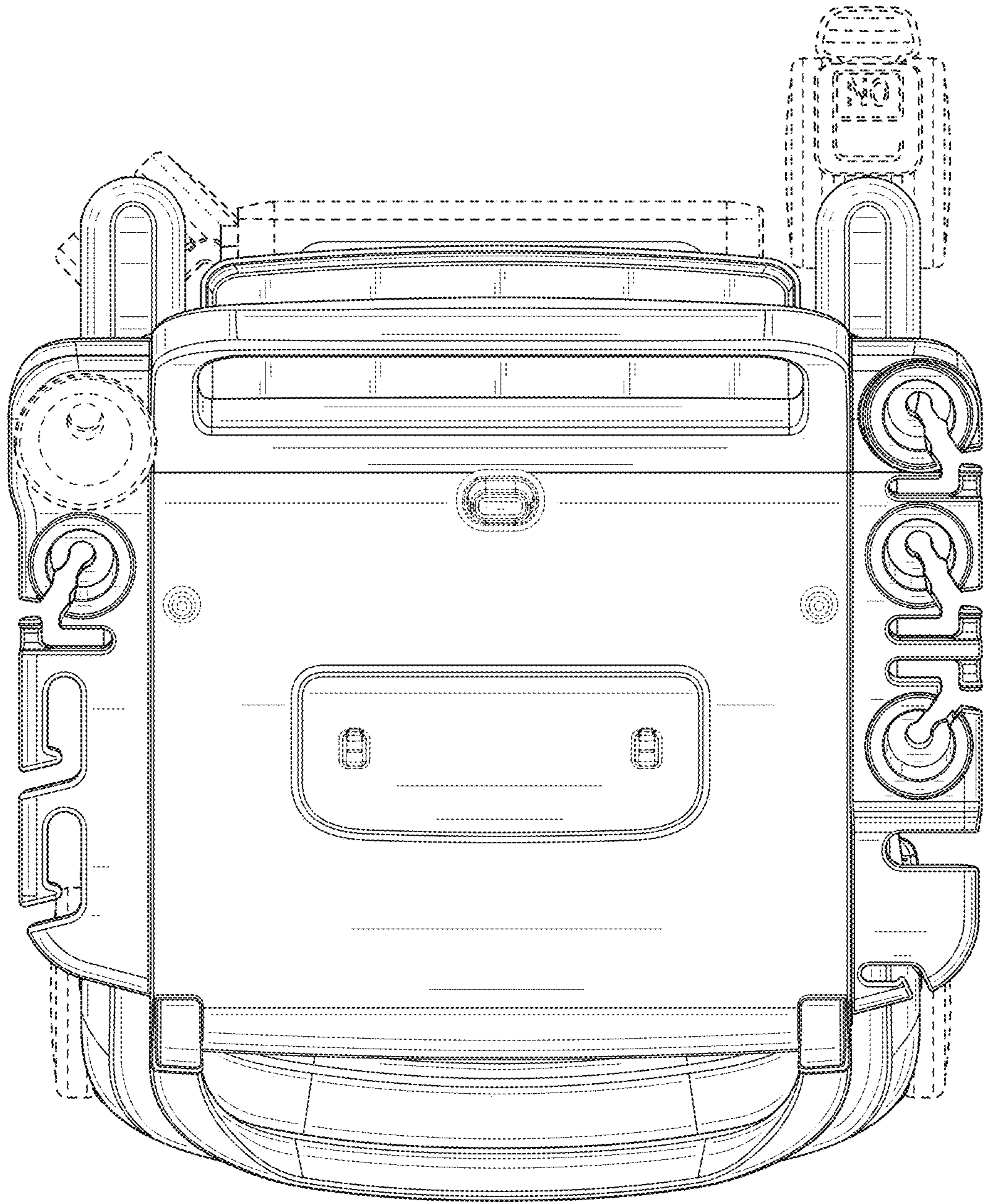


FIG. 7

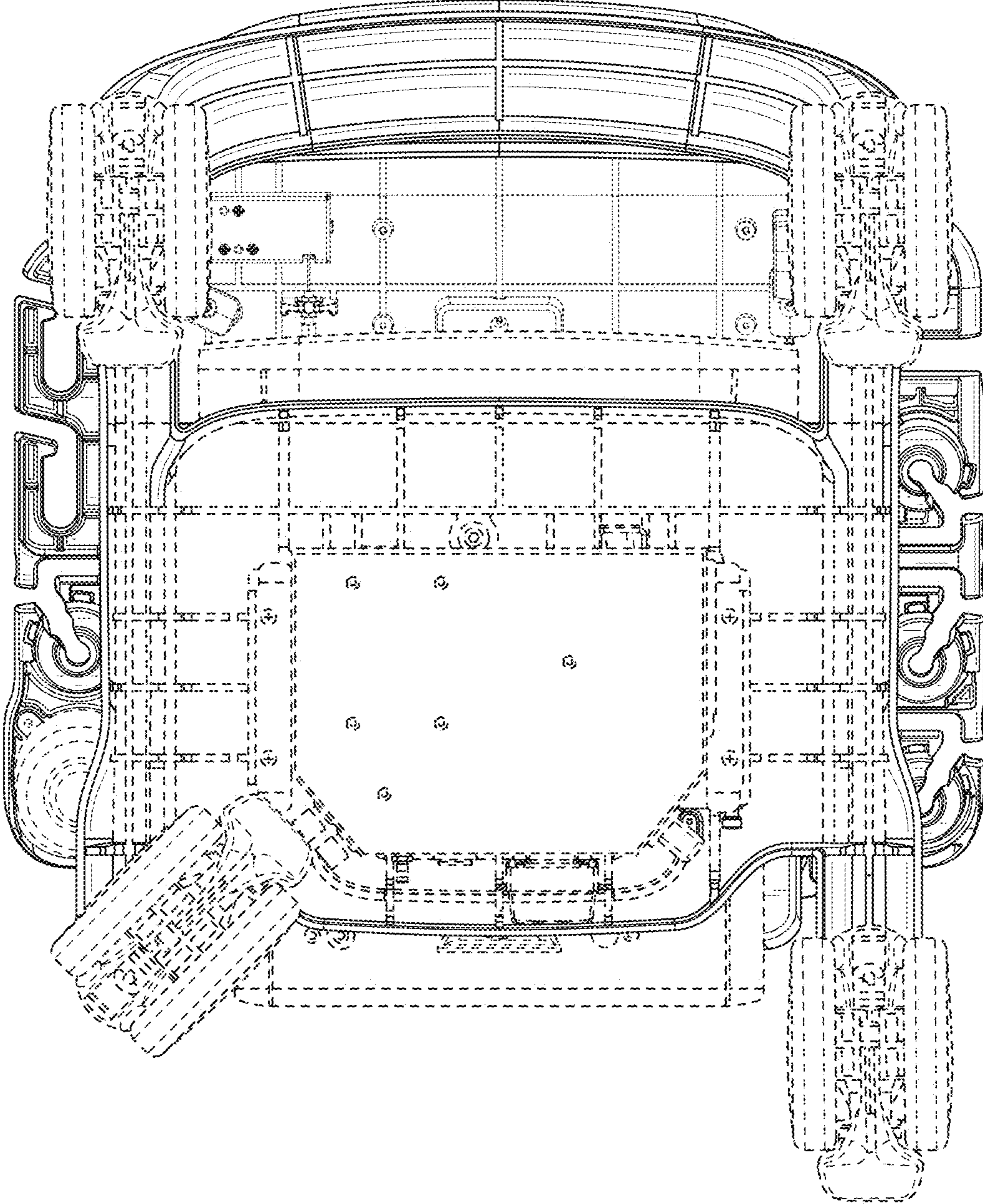


FIG. 8

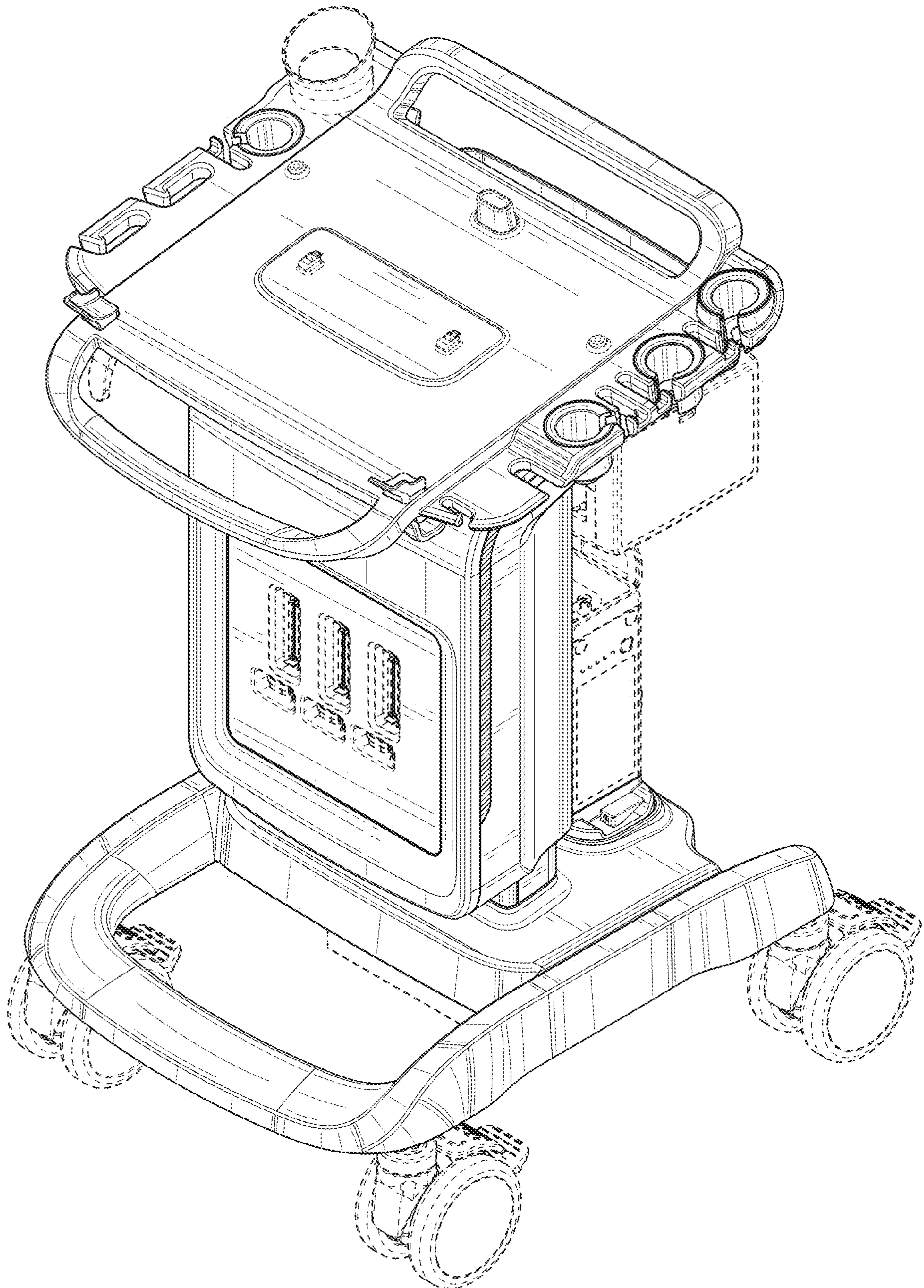


FIG. 9

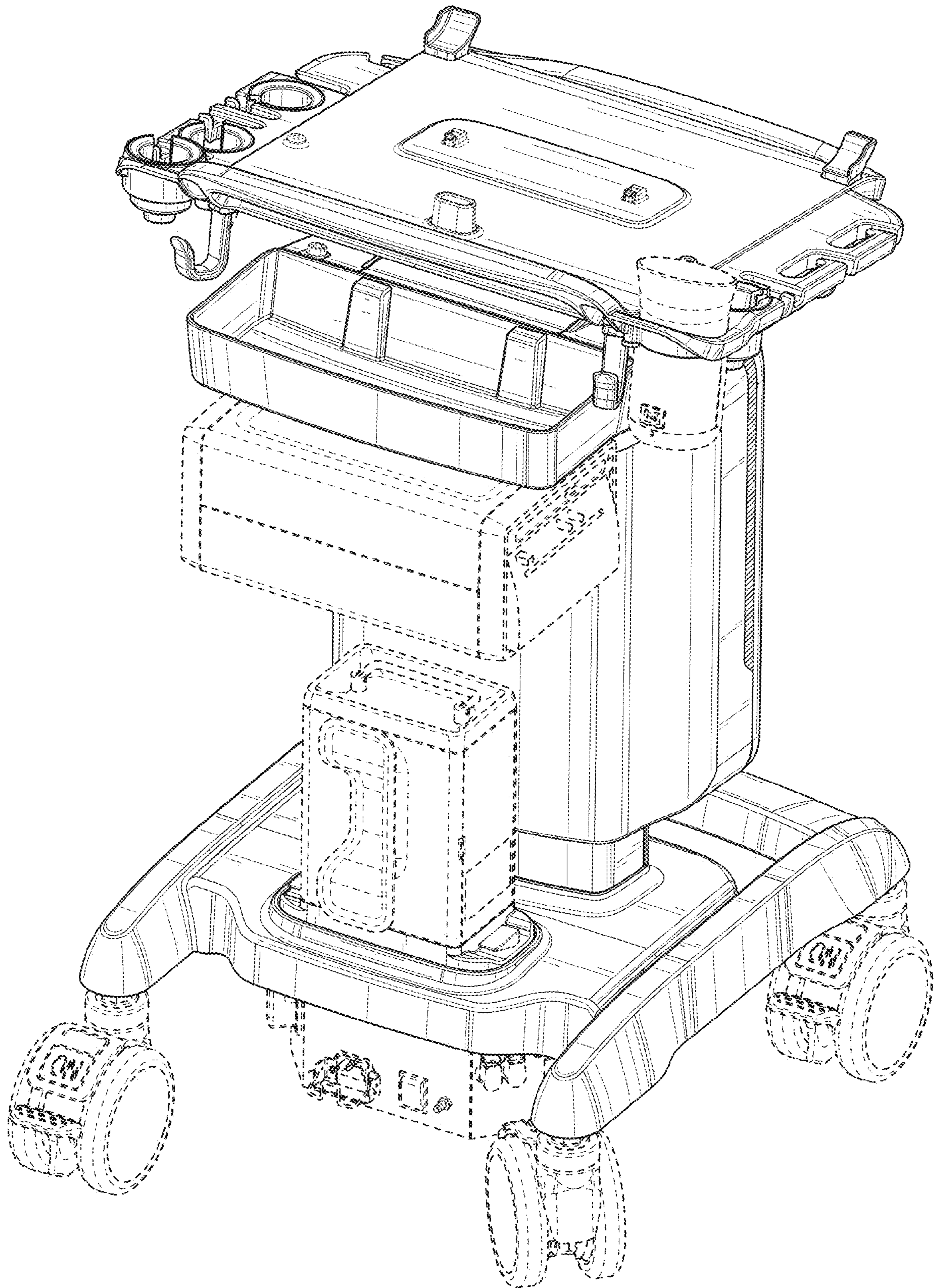


FIG. 10

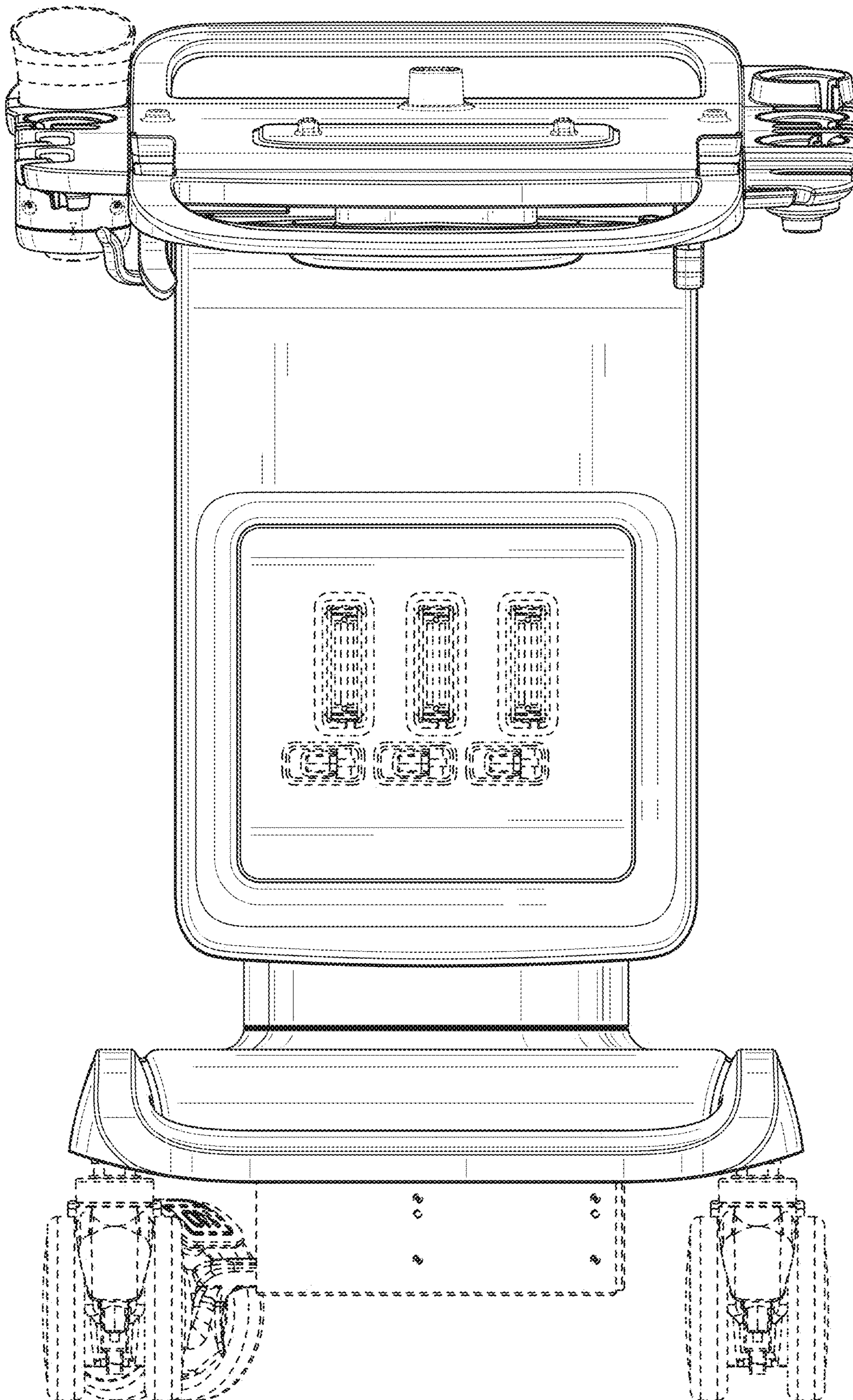


FIG. 11

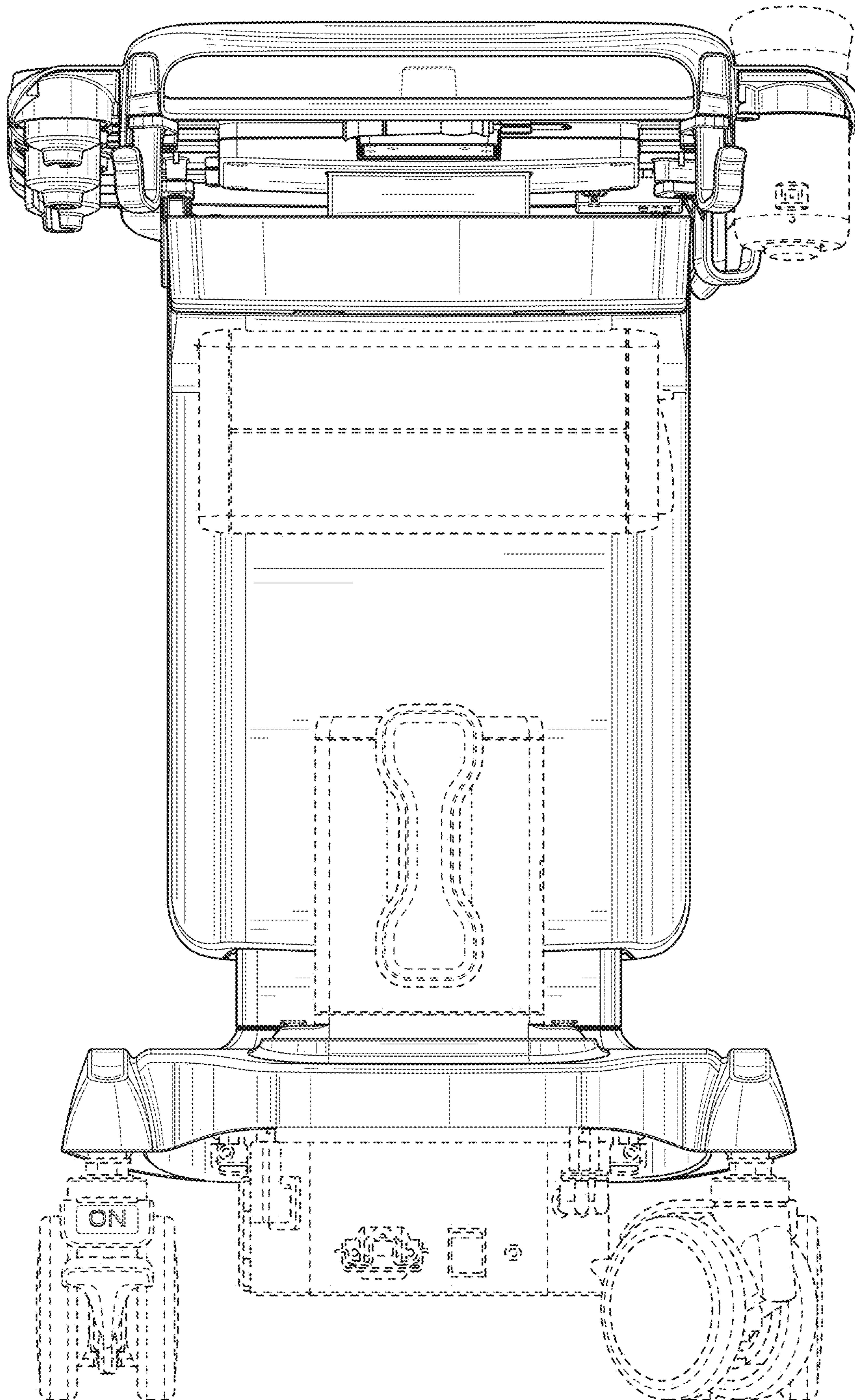


FIG. 12

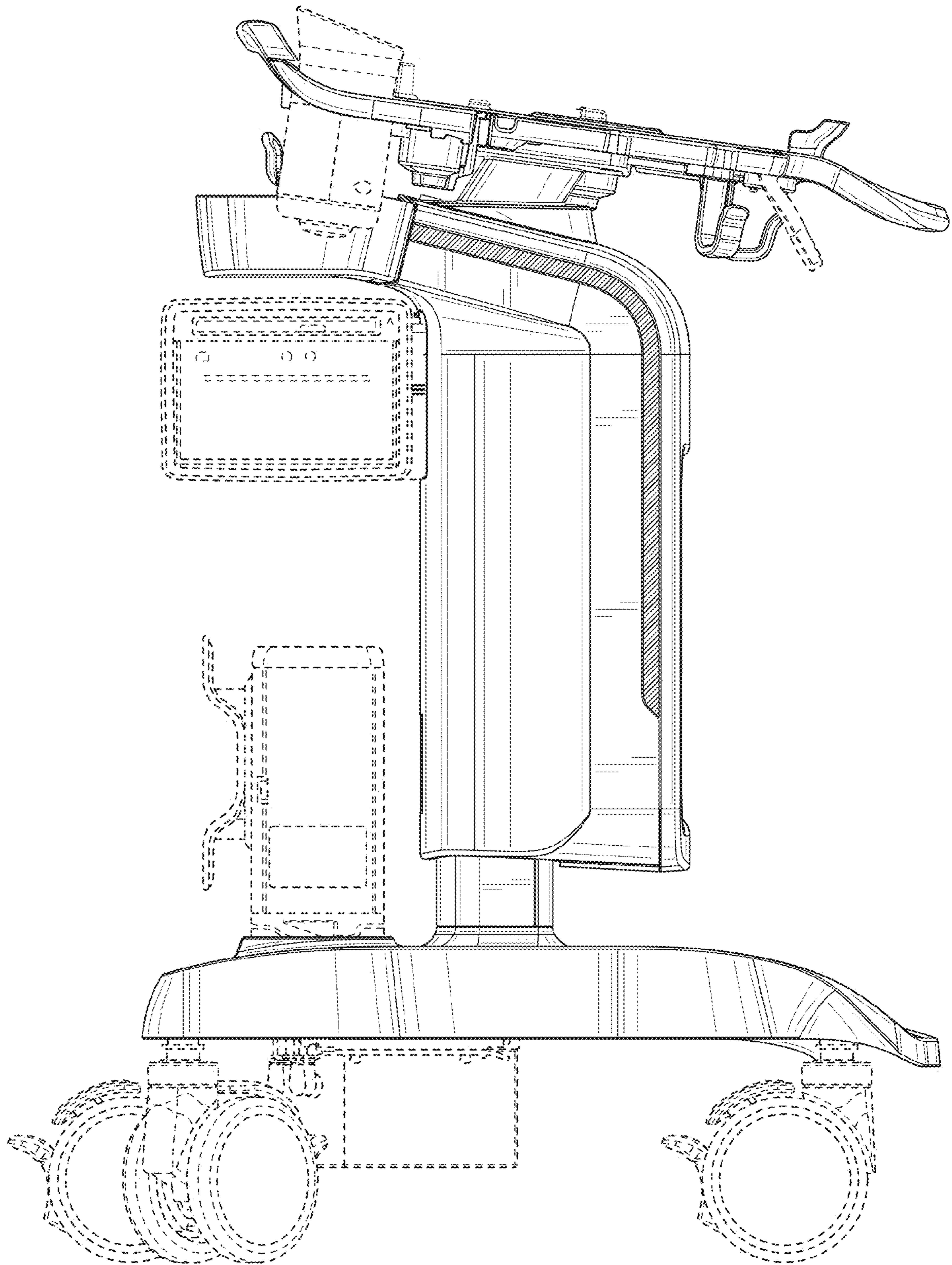


FIG. 13

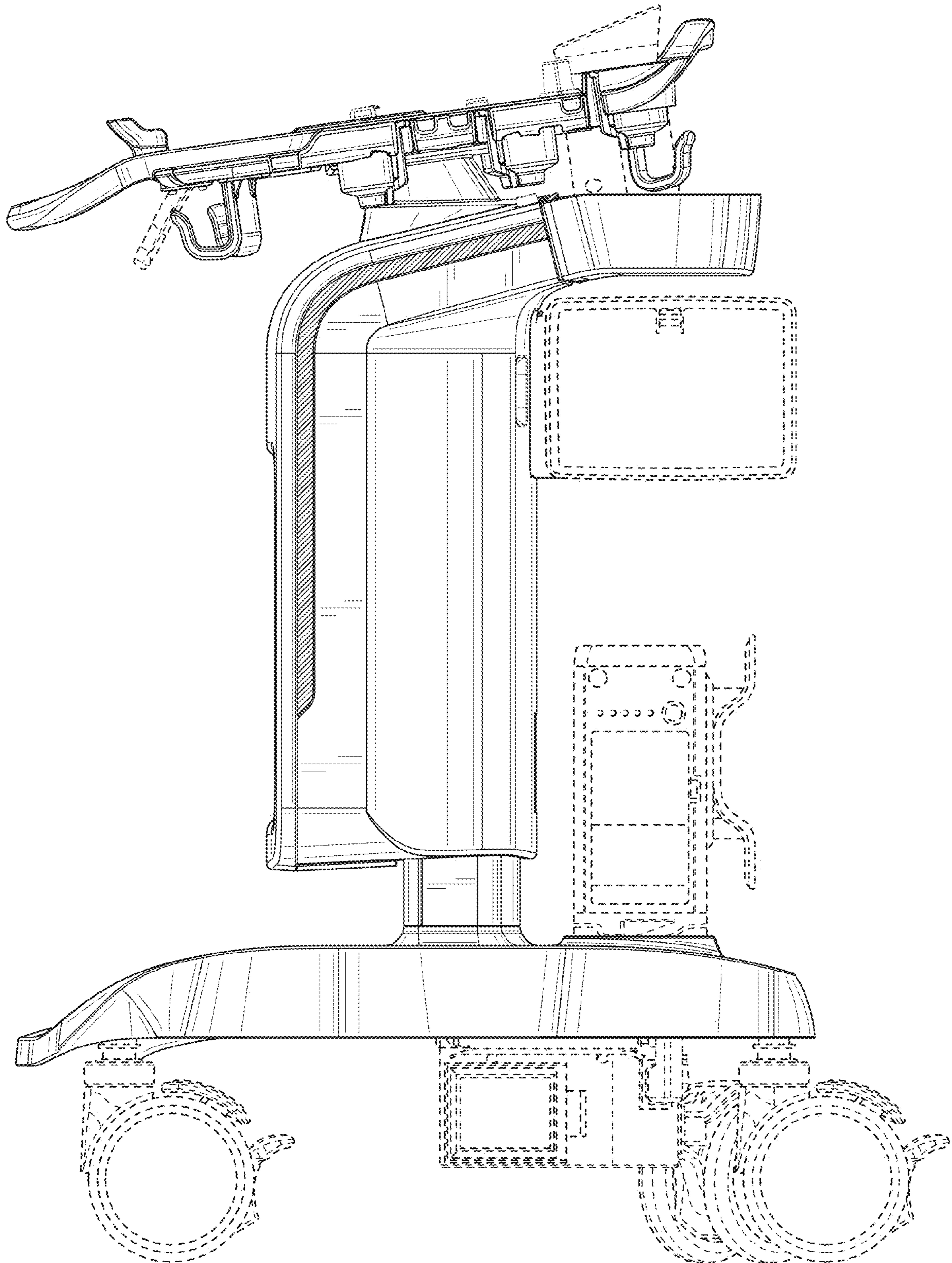


FIG. 14



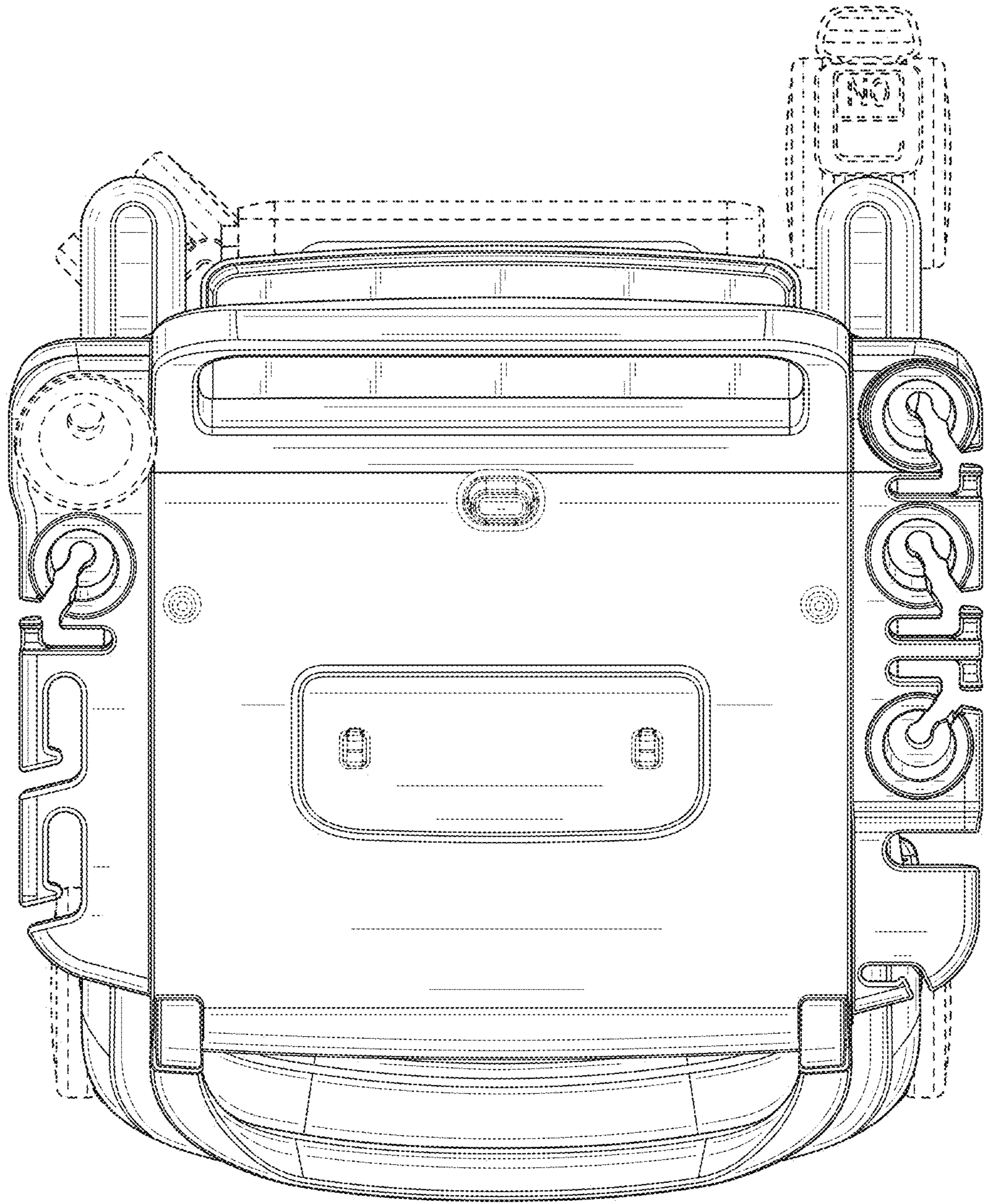


FIG. 15

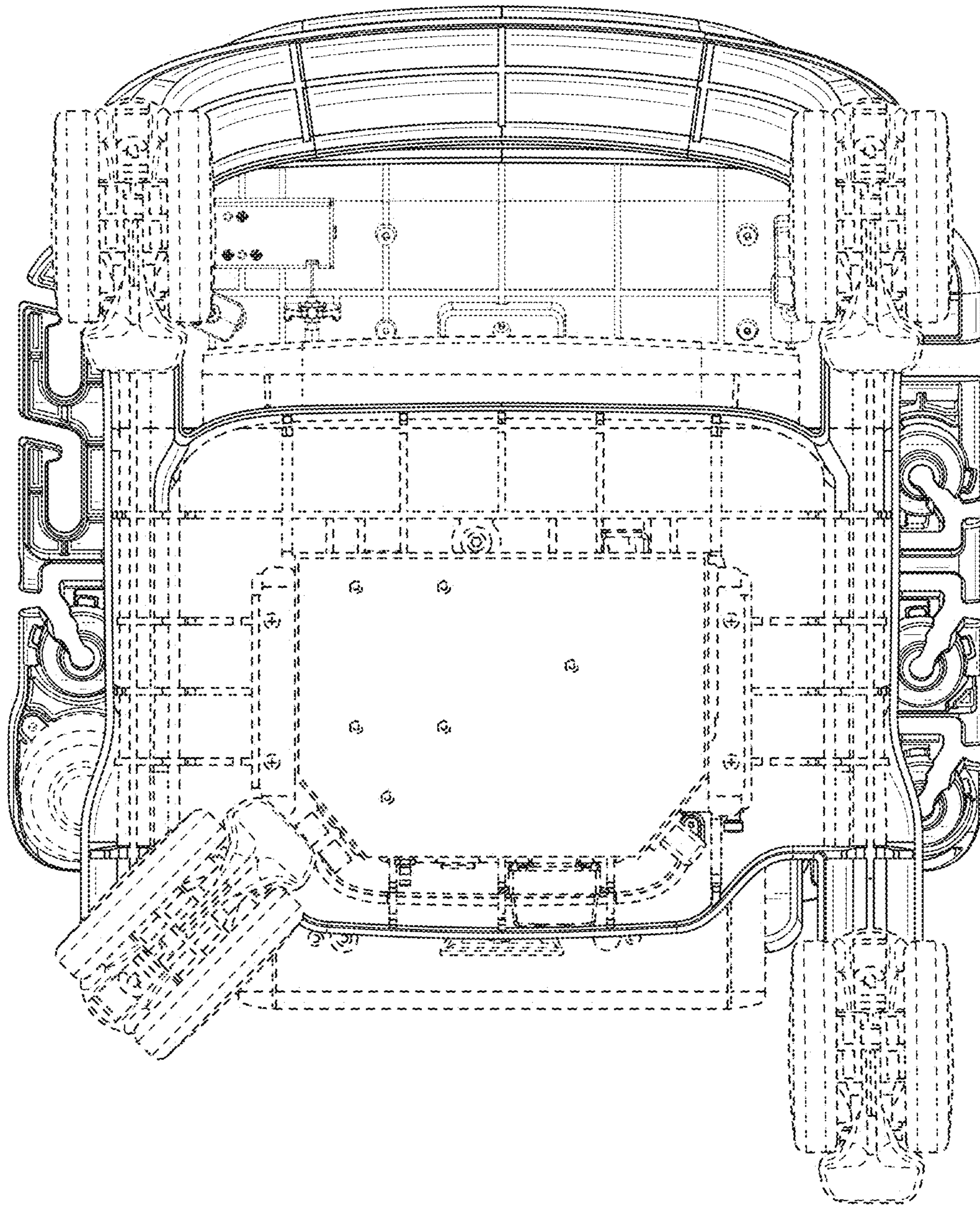


FIG. 16