



US00D936841S

(12) **United States Design Patent** (10) **Patent No.:** **US D936,841 S**  
**Couch et al.** (45) **Date of Patent:** **\*\* Nov. 23, 2021**

(54) **MOBILE CART**

B62B 1/04; B62B 1/042; B62B 1/208;  
B62B 2205/32; B62B 1/22; B62B 3/0606;  
B60B 2200/432

(71) Applicant: **Midmark Corporation**, Versailles, OH (US)

See application file for complete search history.

(72) Inventors: **Michael C. Couch**, Troy, OH (US); **Daniel A. Albers**, New Weston, OH (US); **Connor James Osowski**, Dayton, OH (US); **Darin Gregory Whittington**, Versailles, OH (US); **Jeffrey T. DeBord**, Worthington, OH (US); **Rainer Bernhard Teufel**, Worthington, OH (US); **Todd Linthicum**, Bexley, OH (US); **Jay F. Perkins**, Pickerington, OH (US); **David Simpson**, Worthington, OH (US); **Calin Constantin Solomon**, Columbus, OH (US)

(56) **References Cited**

U.S. PATENT DOCUMENTS

|           |    |   |         |                |       |         |
|-----------|----|---|---------|----------------|-------|---------|
| D632,796  | S  | * | 2/2011  | Ross           | ..... | D24/185 |
| D657,470  | S  | * | 4/2012  | Schon          | ..... | D24/186 |
| 8,292,807 | B2 |   | 10/2012 | Perkins et al. |       |         |
| D712,042  | S  |   | 8/2014  | Chung et al.   |       |         |
| 9,027,940 | B2 |   | 5/2015  | Ergun et al.   |       |         |
| D739,538  | S  |   | 9/2015  | Bernal et al.  |       |         |
| 9,155,682 | B2 |   | 10/2015 | Boyd           |       |         |

(Continued)

(73) Assignee: **Midmark Corporation**, Versailles, OH (US)

OTHER PUBLICATIONS

Design U.S. Pat No. D. 894,403.  
Design U.S. Pat No. D. 919,099.

(\*\*) Term: **15 Years**

*Primary Examiner* — Gino Colan

(21) Appl. No.: **29/774,929**

(74) *Attorney, Agent, or Firm* — Frost Brown Todd LLC

(22) Filed: **Mar. 19, 2021**

(57) **CLAIM**

The ornamental design for a mobile cart, as shown and described.

**Related U.S. Application Data**

**DESCRIPTION**

(63) Continuation of application No. 29/744,092, filed on Jul. 27, 2020, now Pat. No. Des. 919,099, which is a continuation of application No. 29/663,356, filed on Sep. 14, 2018, now Pat. No. Des. 894,403.

FIG. 1 is a perspective view of a mobile cart showing our new design;

(51) **LOC (13) Cl.** ..... **24-02**

FIG. 2 is a front elevational view thereof;

(52) **U.S. Cl.**

FIG. 3 is a back elevational view thereof;

USPC ..... **D24/185**

FIG. 4 is a left elevational view thereof;

(58) **Field of Classification Search**

USPC ..... D34/12-14, 16, 17, 19-23, 25-27;  
D24/185, 186

FIG. 5 is a right elevational view thereof;

CPC .... B62B 1/12; B62B 3/02; B62B 1/16; B62B 1/20; B62B 2205/006; B62B 2206/006;

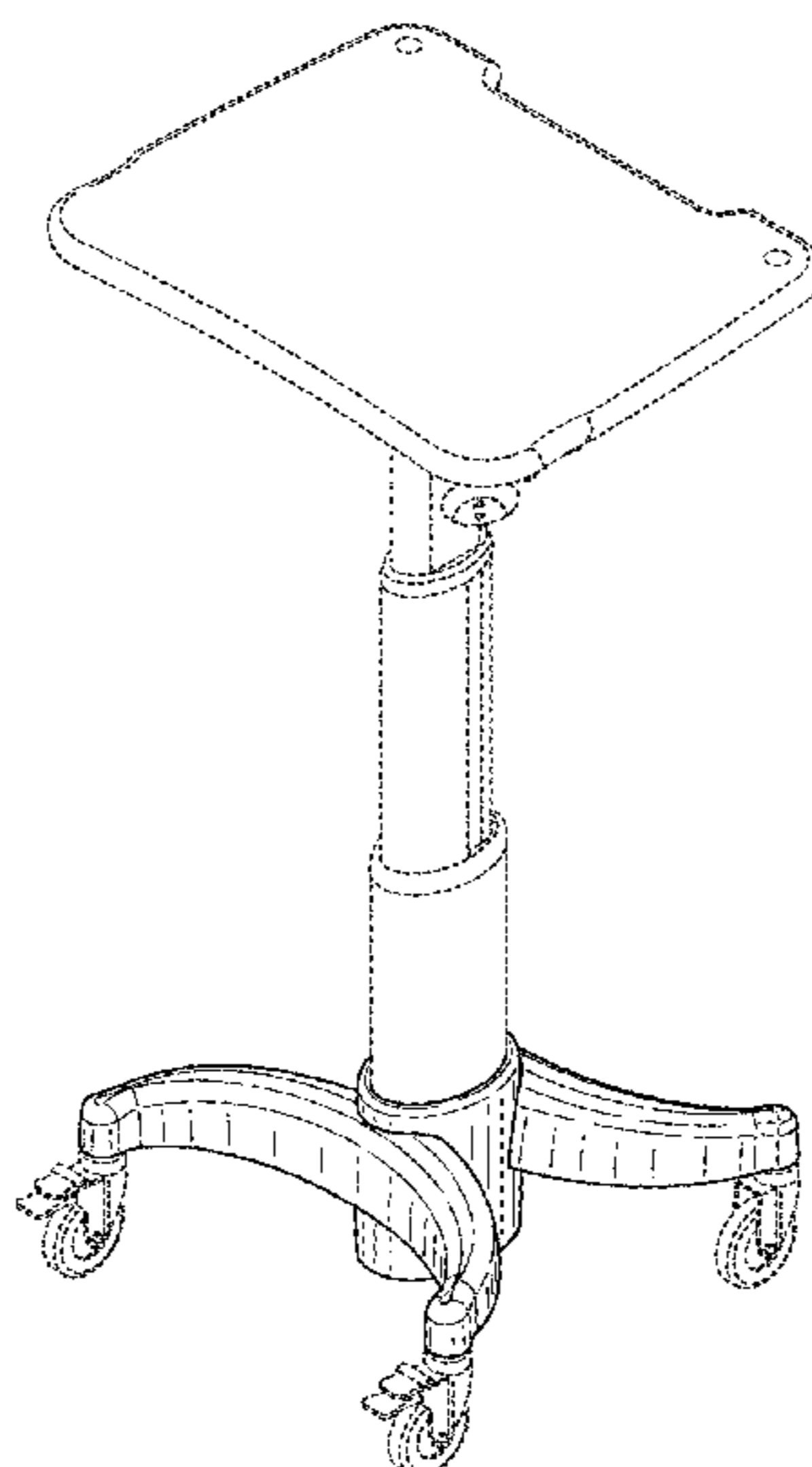
FIG. 6 is a top plan view thereof; and,

B62B 3/002; B62B 3/027; B62B 5/0438;

FIG. 7 is a bottom plan view thereof.

The broken lines shown in the drawings depicting protrusions, recesses and other features illustrate environment that forms no part of the claimed design.

**1 Claim, 7 Drawing Sheets**



(56)

**References Cited**

U.S. PATENT DOCUMENTS

|              |      |         |                       |           |
|--------------|------|---------|-----------------------|-----------|
| D786,522     | S    | 5/2017  | Houlihan              |           |
| 10,426,261   | B2   | 10/2019 | Theis et al.          |           |
| D894,402     | S *  | 8/2020  | Couch .....           | D24/185   |
| D894,403     | S *  | 8/2020  | Couch .....           | D24/185   |
| 10,813,450   | B2 * | 10/2020 | Albers .....          | A47B 9/20 |
| D919,098     | S *  | 5/2021  | Couch .....           | D24/185   |
| D919,099     | S *  | 5/2021  | Couch .....           | D24/185   |
| 2010/0148458 | A1   | 6/2010  | Ross et al.           |           |
| 2011/0042911 | A1   | 2/2011  | Kozlowski, Jr. et al. |           |

\* cited by examiner

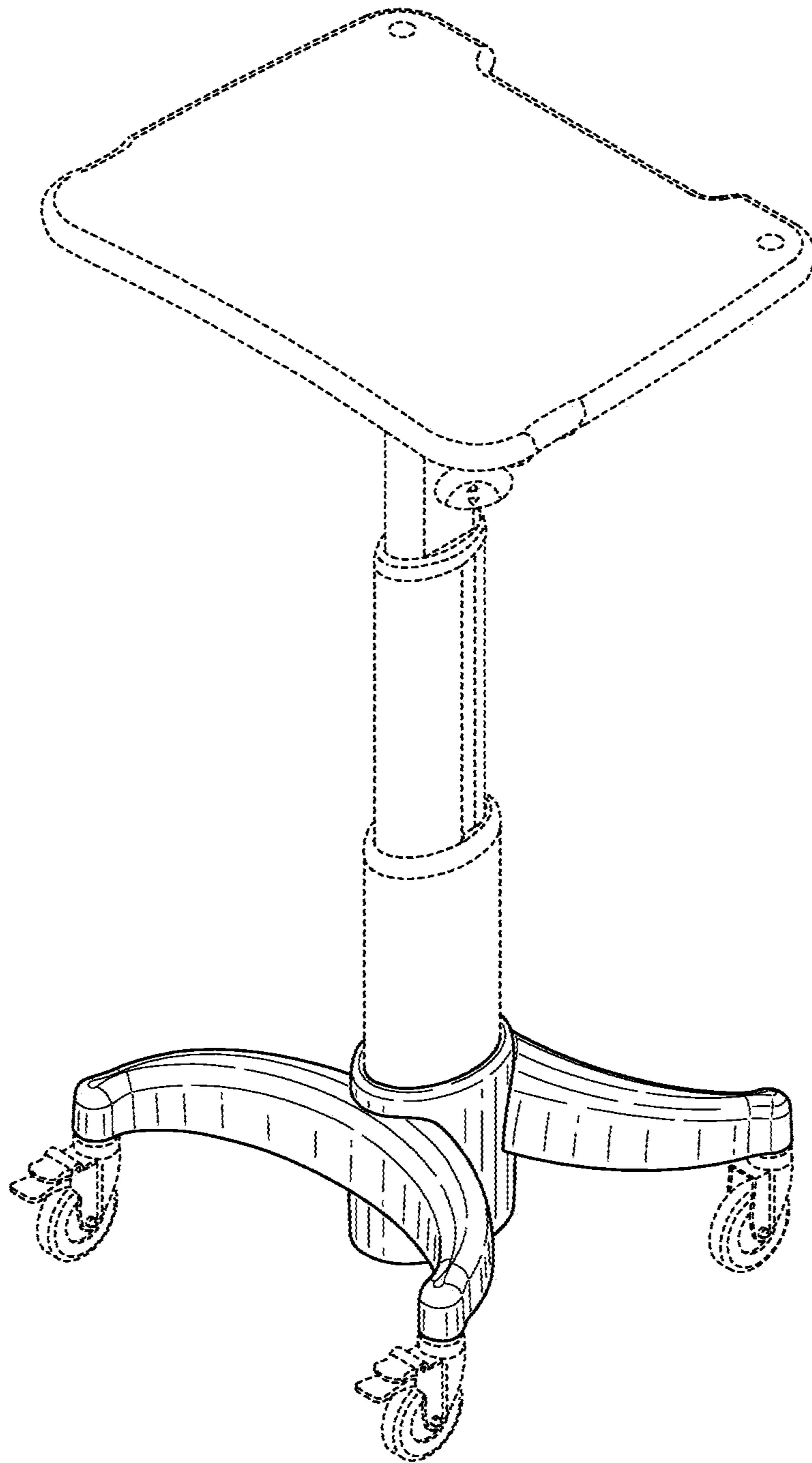


FIG. 1

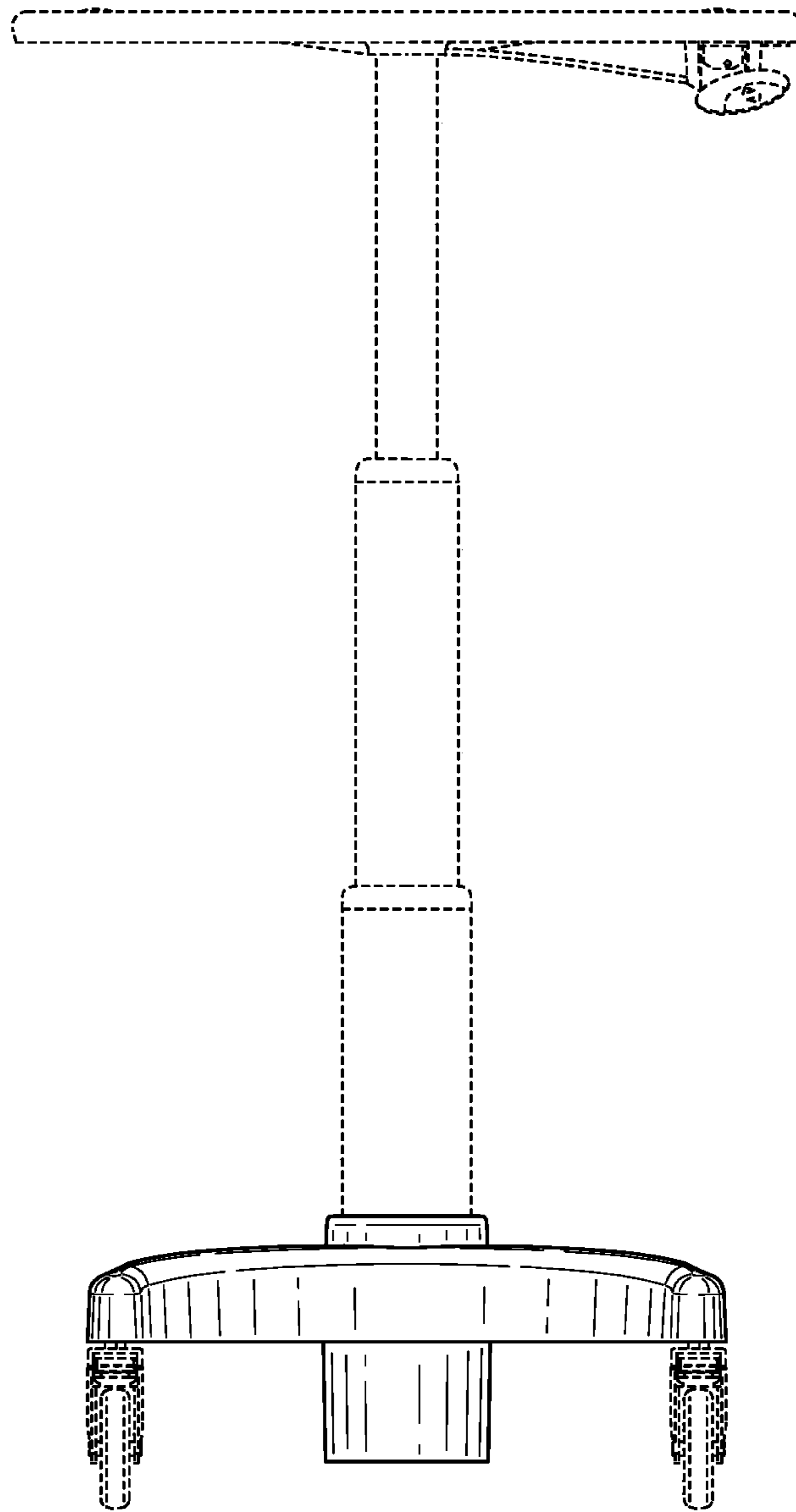


FIG. 2

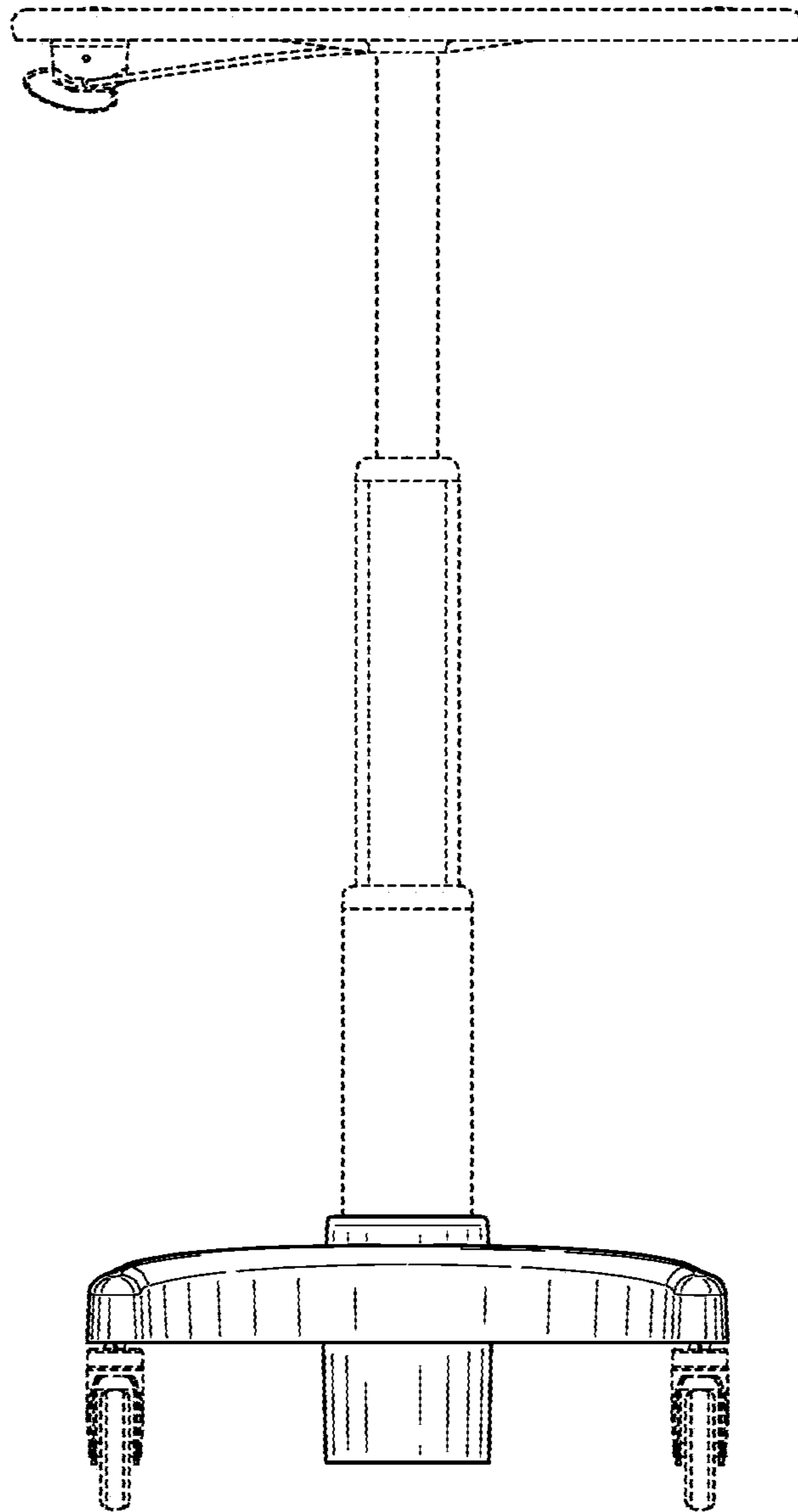


FIG. 3

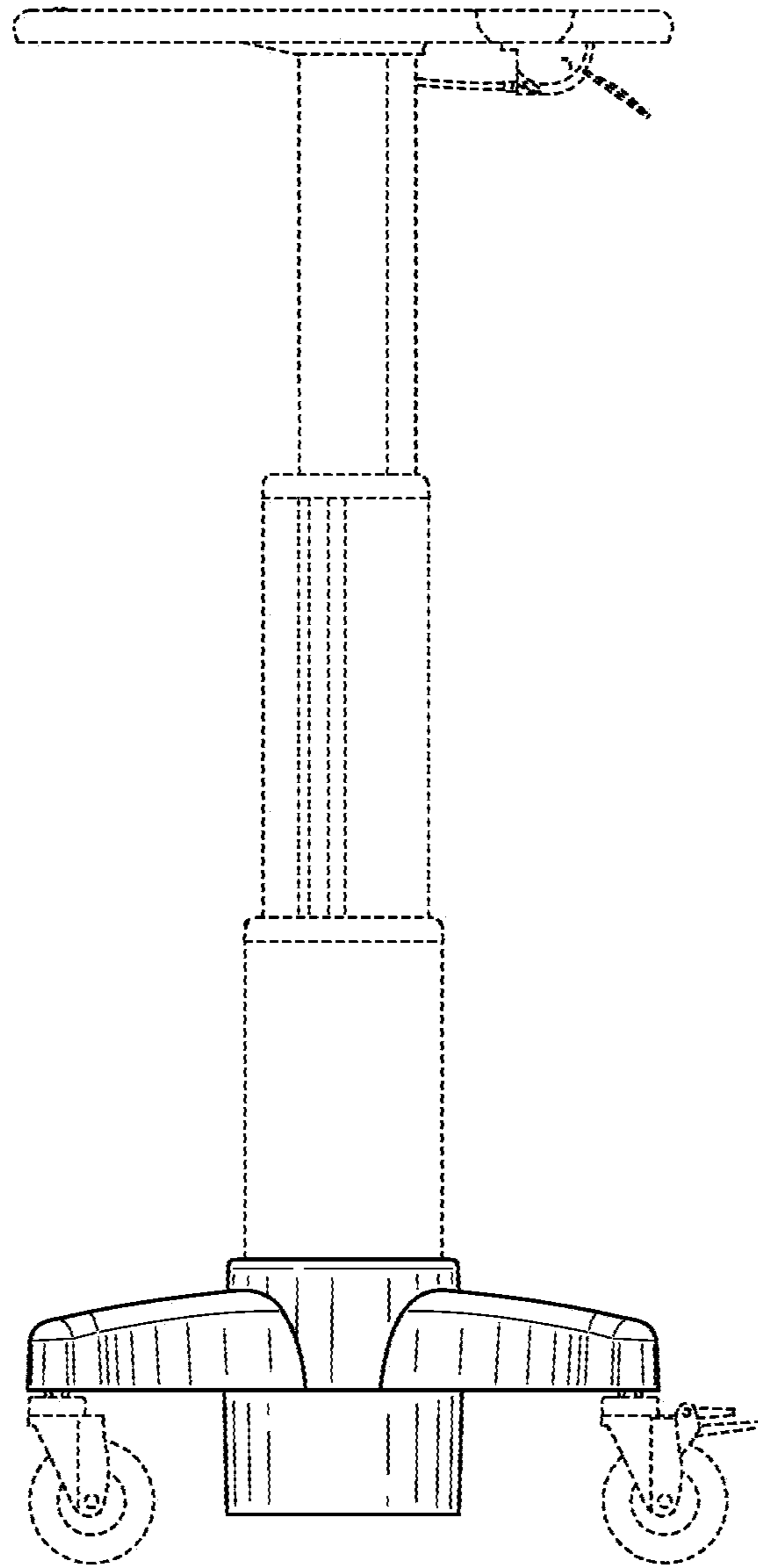


FIG. 4

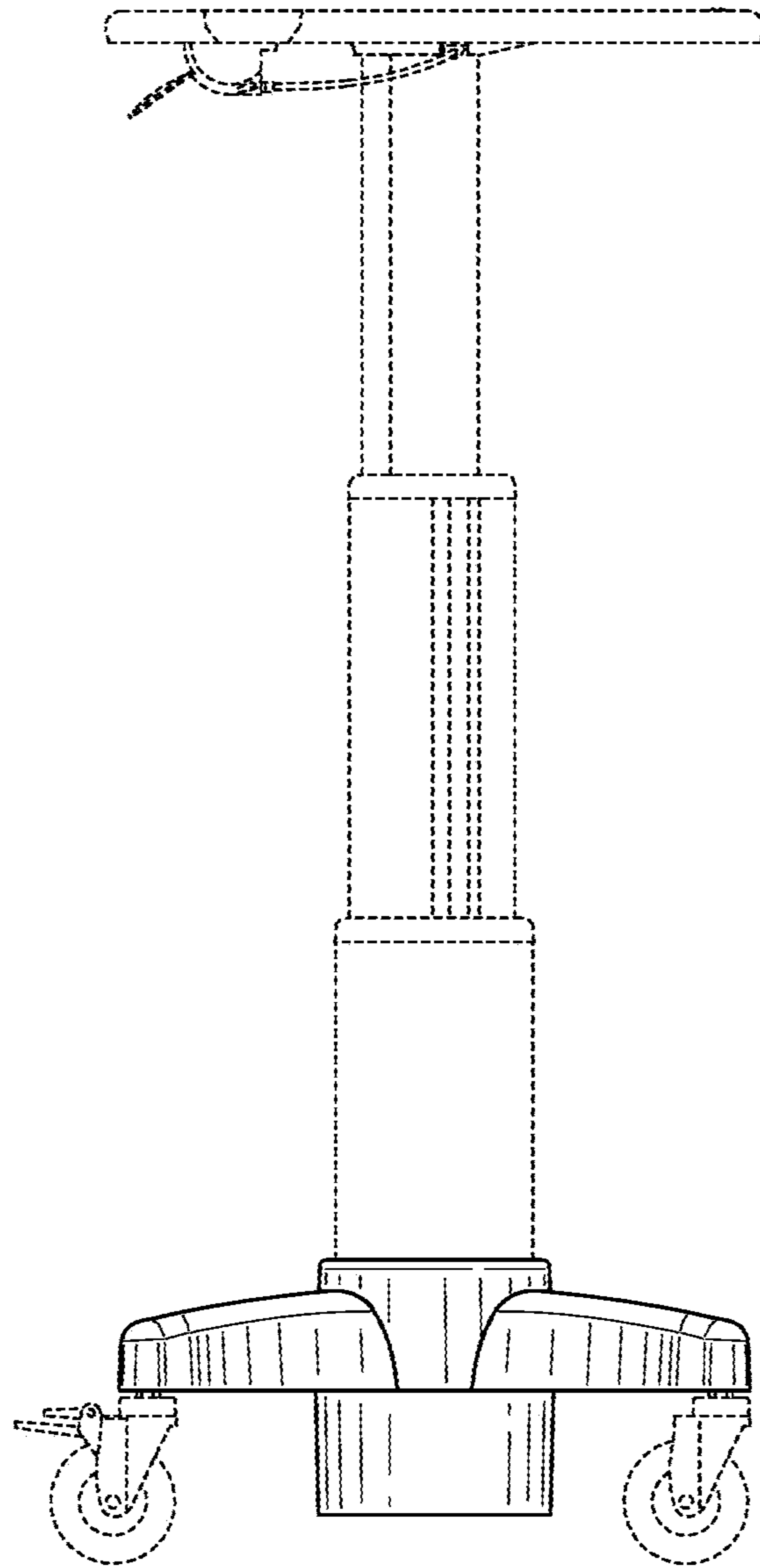
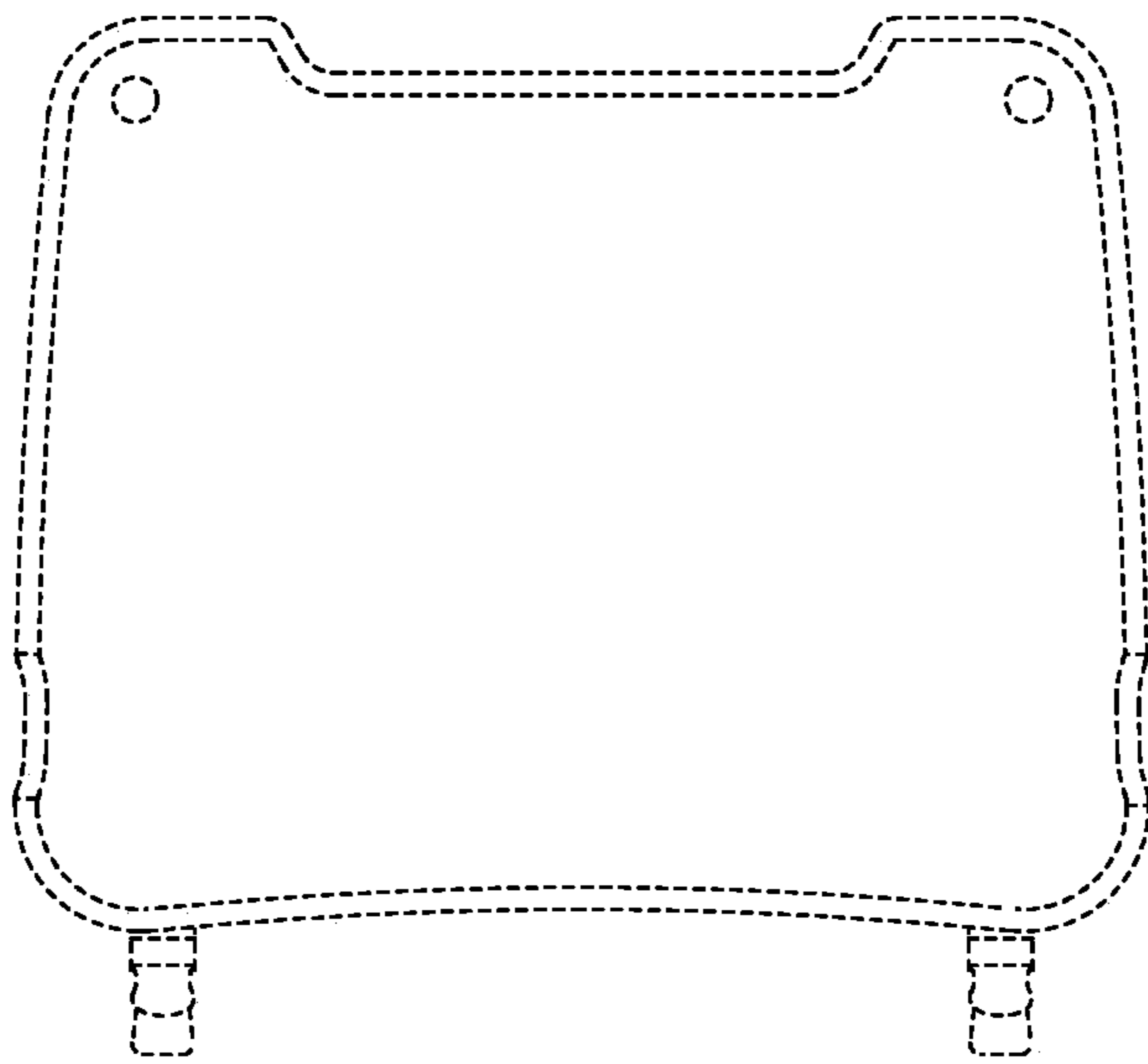


FIG. 5



**FIG. 6**



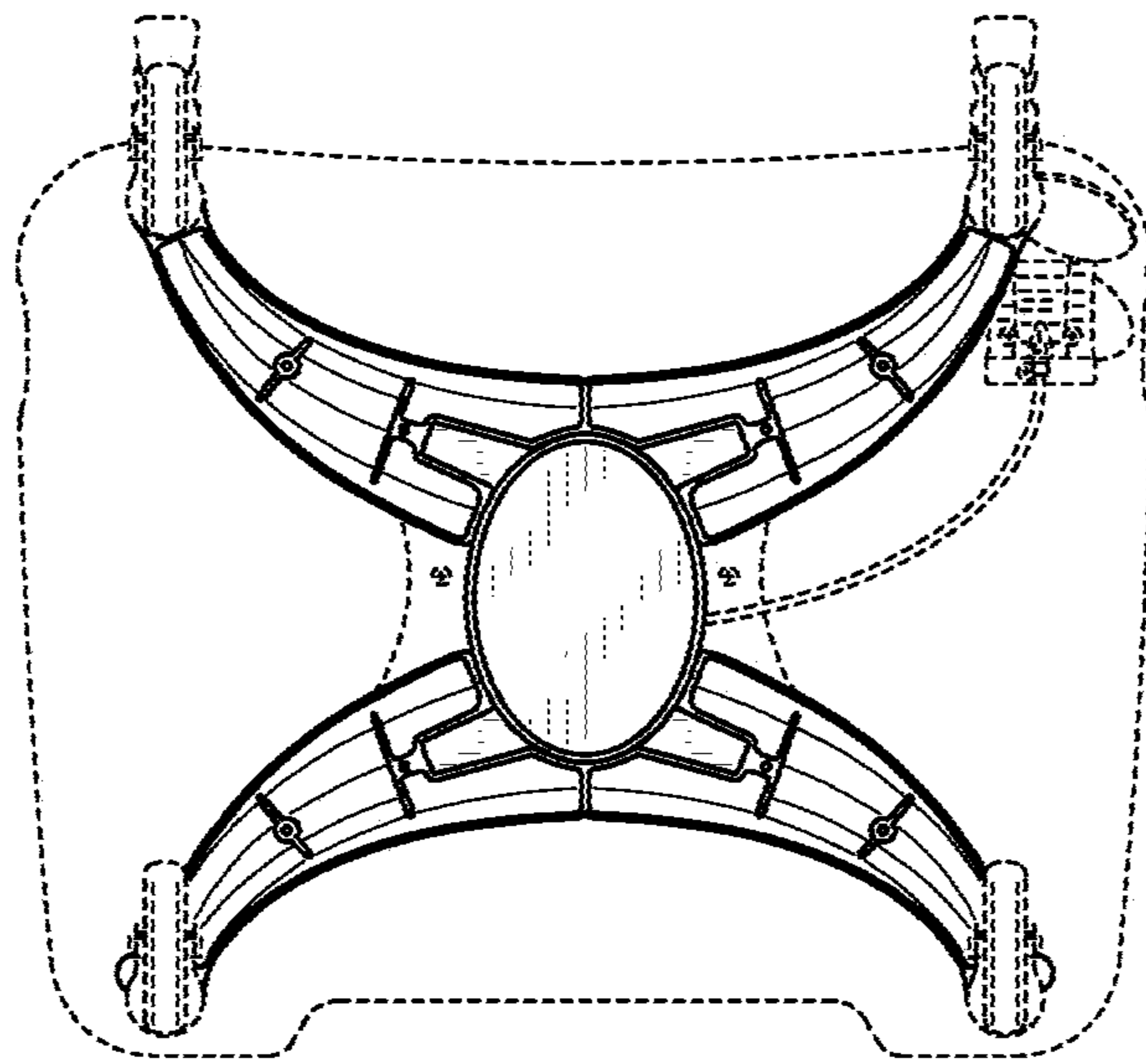


FIG. 7