

US00D936840S

(12) **United States Design Patent** (10) **Patent No.:** **US D936,840 S**
Couch et al. (45) **Date of Patent:** **** Nov. 23, 2021**

(54) **MOBILE CART**

B62B 1/04; B62B 1/042; B62B 1/208;
B62B 2205/32; B62B 1/22; B62B 3/0606;
B60B 2200/432

(71) Applicant: **Midmark Corporation**, Versailles, OH (US)

See application file for complete search history.

(72) Inventors: **Michael C. Couch**, Troy, OH (US); **Daniel A. Albers**, New Weston, OH (US); **Connor James Osowski**, Dayton, OH (US); **Darin Gregory Whittington**, Versailles, OH (US); **Jeffrey T. DeBord**, Worthington, OH (US); **Rainer Bernhard Teufel**, Worthington, OH (US); **Todd Linthicum**, Bexley, OH (US); **Jay F. Perkins**, Pickerington, OH (US); **David Simpson**, Worthington, OH (US); **Calin Constantin Solomon**, Columbus, OH (US)

(56) **References Cited**

U.S. PATENT DOCUMENTS

D632,796	S *	2/2011	Ross	D24/185
D657,470	S *	4/2012	Schon	D24/186
8,292,807	B2	10/2012	Perkins et al.		
D712,042	S	8/2014	Chung et al.		
9,027,940	B2	5/2015	Ergun et al.		
D739,538	S	9/2015	Bernal et al.		
9,155,682	B2	10/2015	Boyd		
D786,522	S	5/2017	Houlihan		
10,426,261	B2	10/2019	Theis et al.		
D894,402	S *	8/2020	Couch	D24/185
D894,403	S *	8/2020	Couch	D24/185

(Continued)

(73) Assignee: **Midmark Corporation**, Versailles, OH (US)

Primary Examiner — Gino Colan

(74) *Attorney, Agent, or Firm* — Frost Brown Todd LLC

(**) Term: **15 Years**

(57) **CLAIM**

(21) Appl. No.: **29/774,920**

The ornamental design for a mobile cart, as shown and described.

(22) Filed: **Mar. 19, 2021**

Related U.S. Application Data

DESCRIPTION

(63) Continuation of application No. 29/744,092, filed on Jul. 27, 2020, now Pat. No. Des. 919,099, which is a continuation of application No. 29/663,356, filed on Sep. 14, 2018, now Pat. No. Des. 894,403.

FIG. 1 is a perspective view of a mobile cart showing our new design;
FIG. 2 is a front elevational view thereof;
FIG. 3 is a back elevational view thereof;
FIG. 4 is a left elevational view thereof;
FIG. 5 is a right elevational view thereof;
FIG. 6 is a top plan view thereof; and,
FIG. 7 is a bottom plan view thereof.

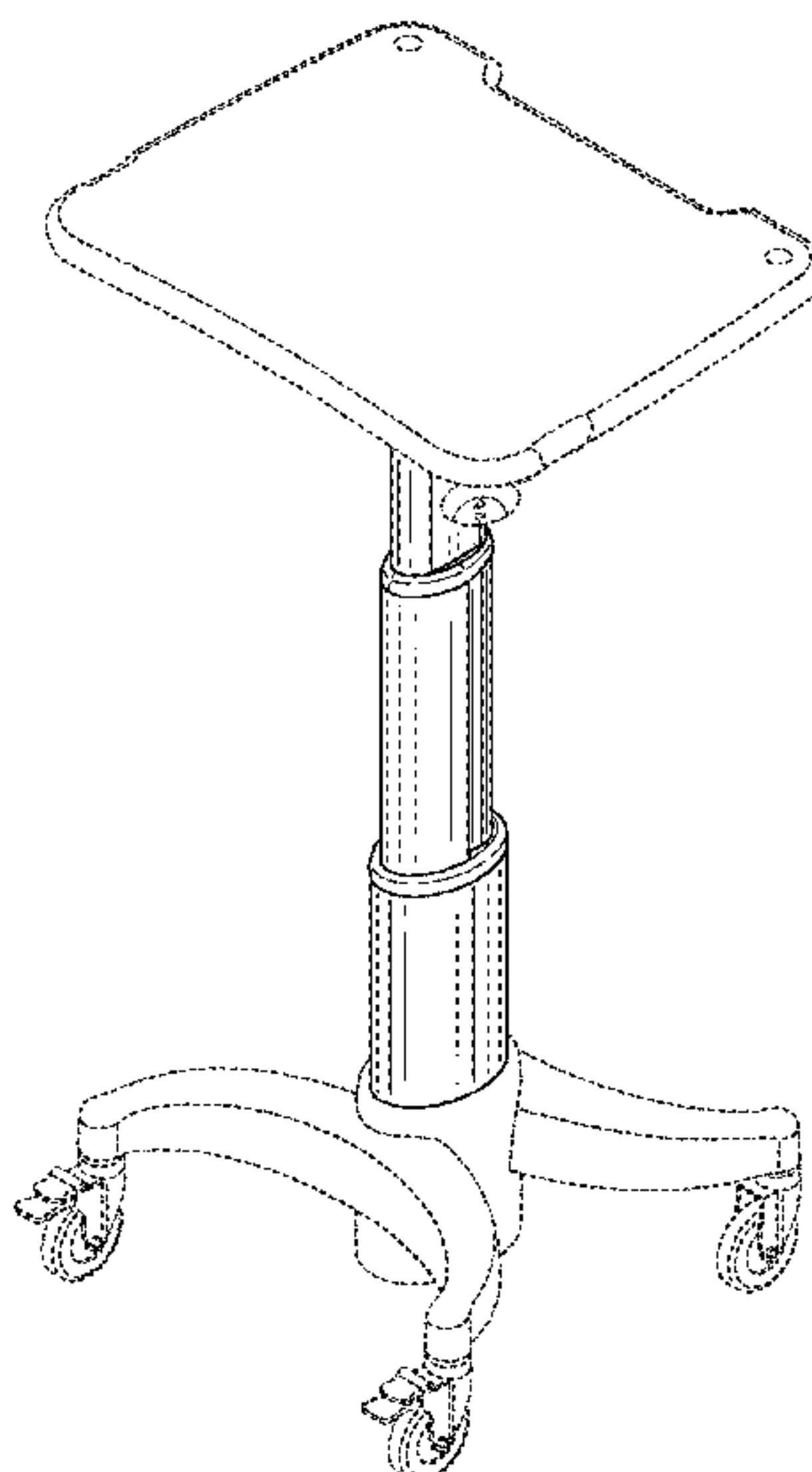
(51) **LOC (13) Cl.** **24-02**

(52) **U.S. Cl.**
USPC **D24/185**

The broken lines shown in the drawings depicting protrusions, recesses and other features illustrate environment that forms no part of the claimed design.

(58) **Field of Classification Search**
USPC D34/12-14, 16, 17, 19-23, 25-27;
D24/185, 186
CPC B62B 1/12; B62B 3/02; B62B 1/16; B62B 1/20; B62B 2205/006; B62B 2206/006; B62B 3/002; B62B 3/027; B62B 5/0438;

1 Claim, 7 Drawing Sheets



(56)

References Cited

U.S. PATENT DOCUMENTS

10,813,450 B2 * 10/2020 Albers A47B 9/20
D919,098 S * 5/2021 Couch D24/185
D919,099 S * 5/2021 Couch D24/185
2010/0148458 A1 6/2010 Ross et al.
2011/0042911 A1 2/2011 Kozlowski, Jr. et al.

* cited by examiner

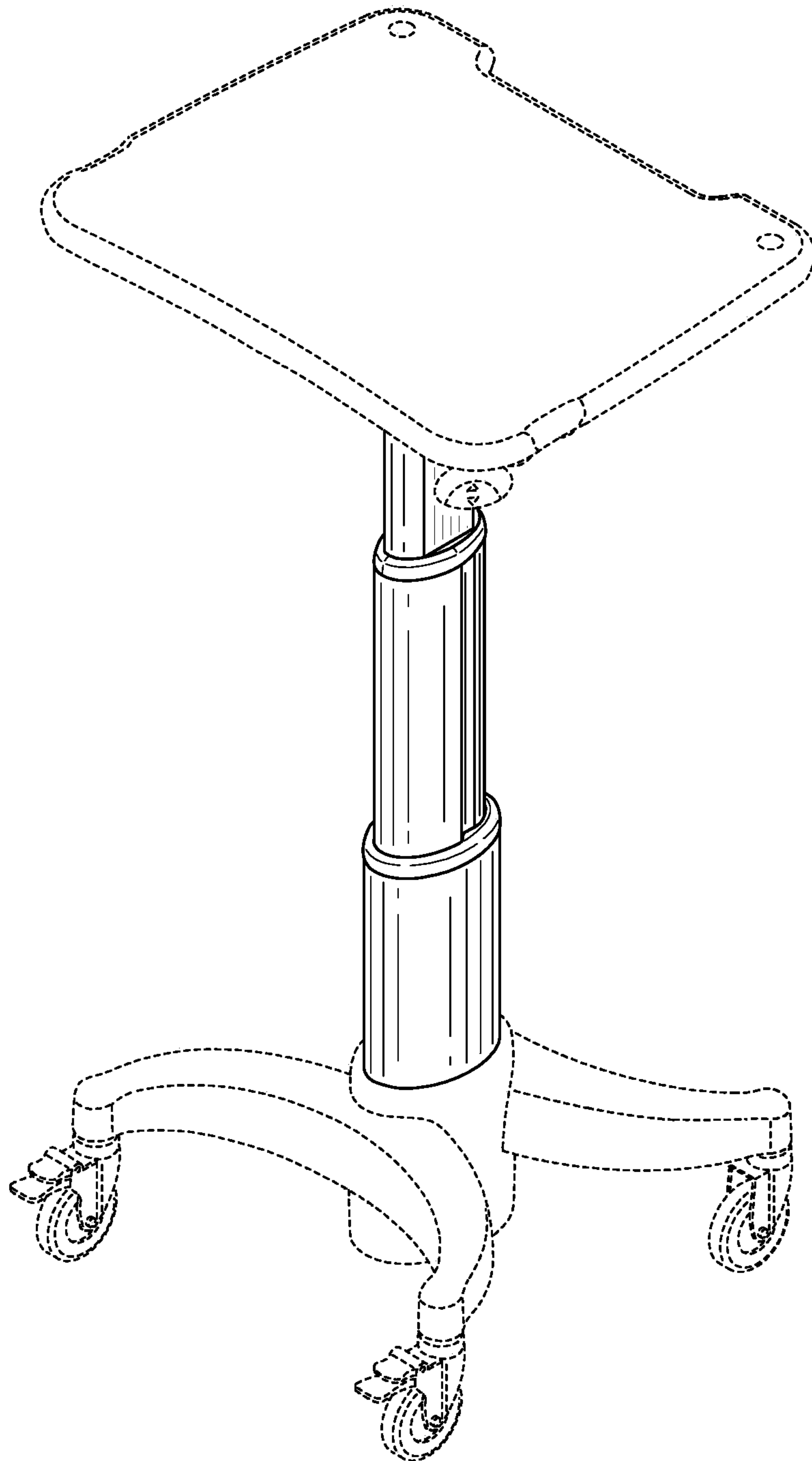


FIG. 1

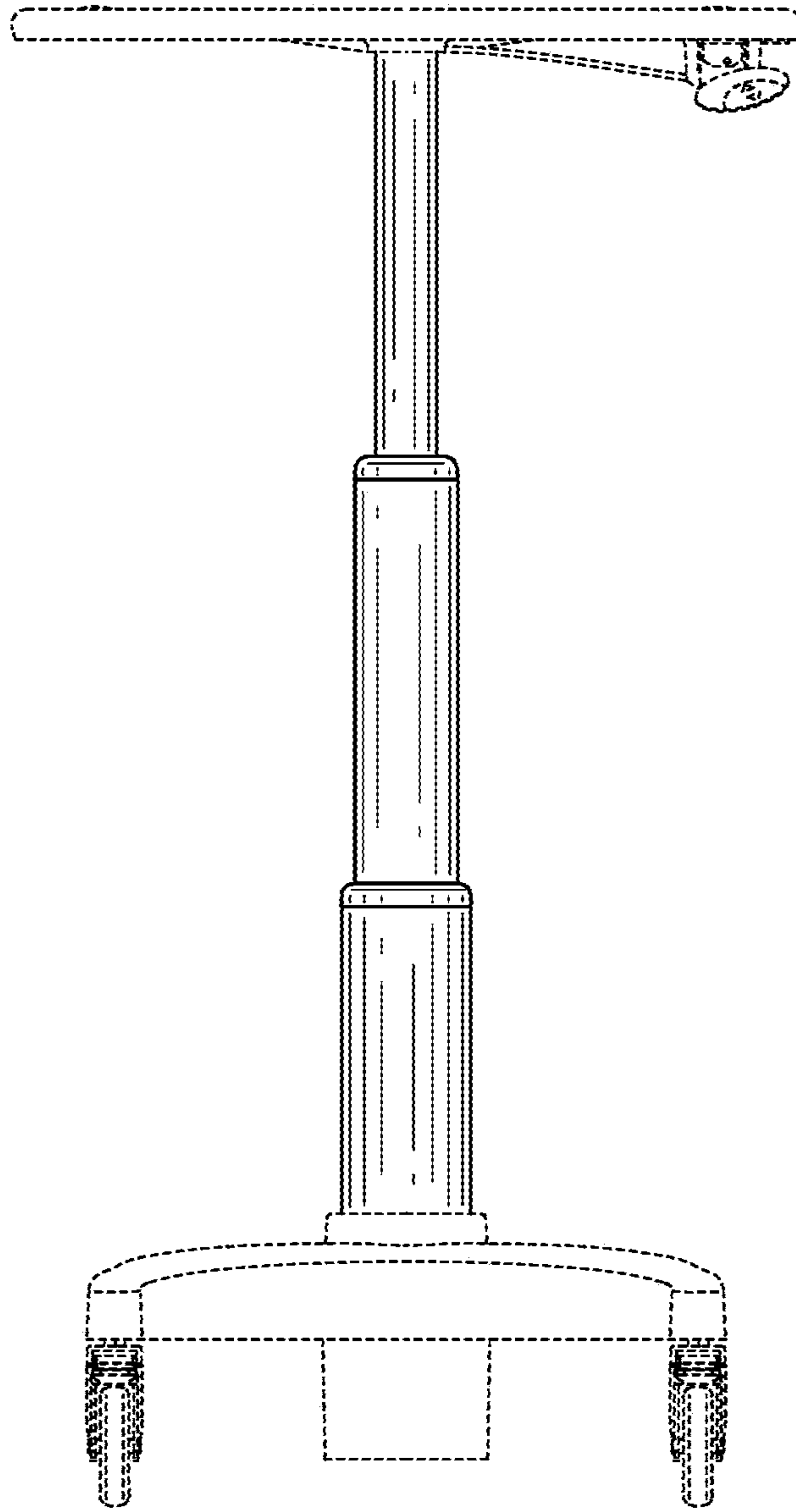


FIG. 2

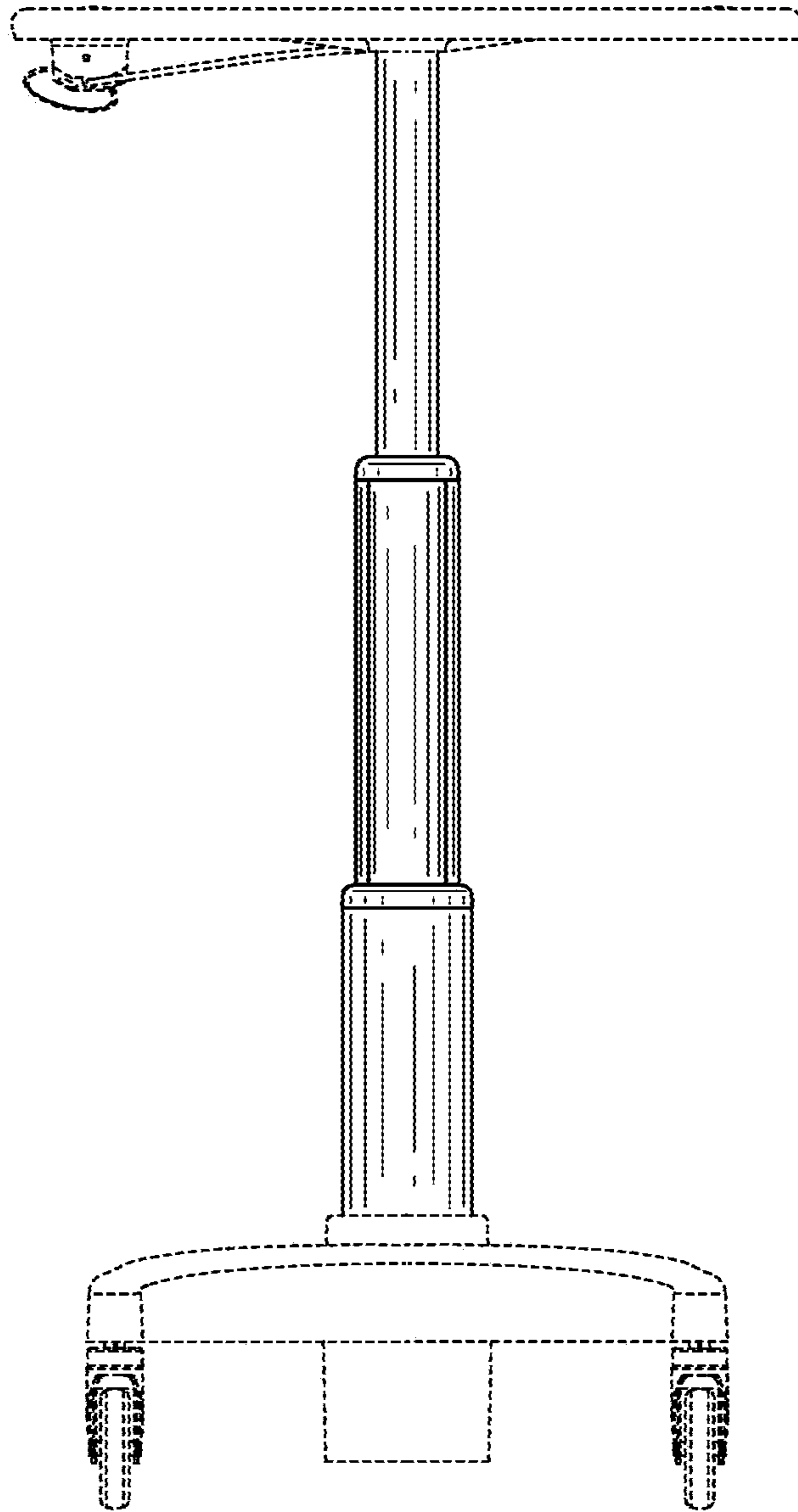


FIG. 3

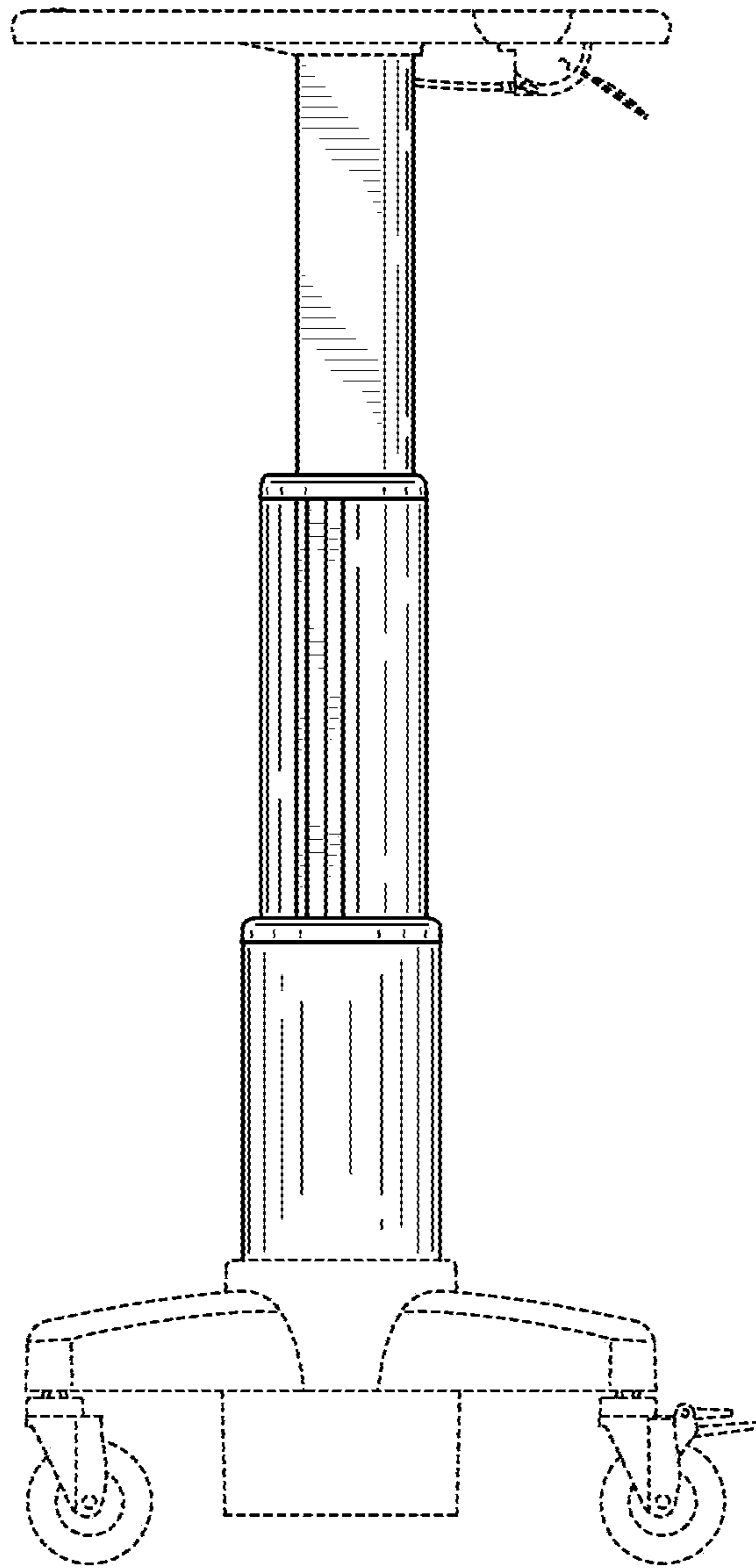


FIG. 4

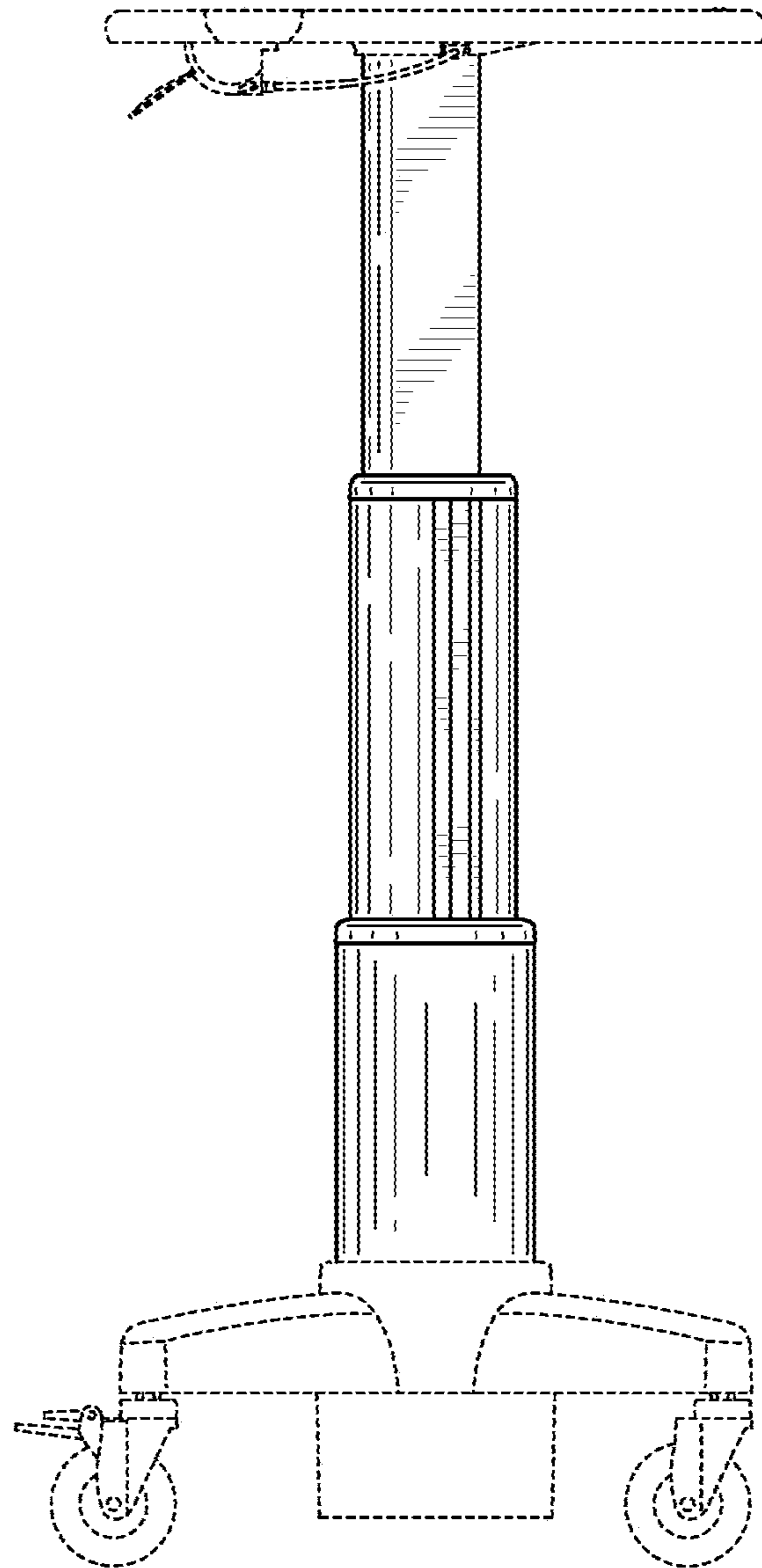


FIG. 5

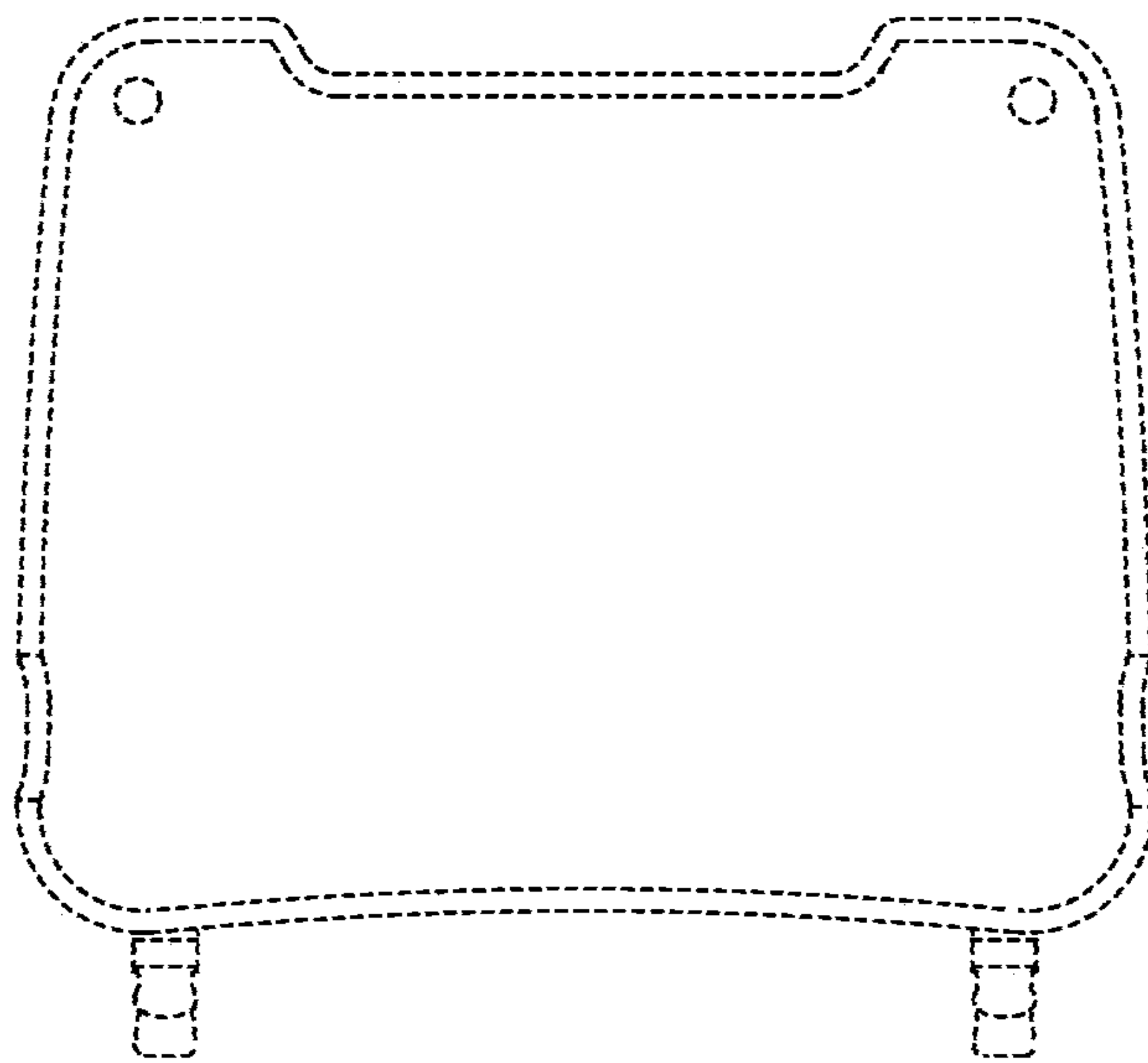


FIG. 6

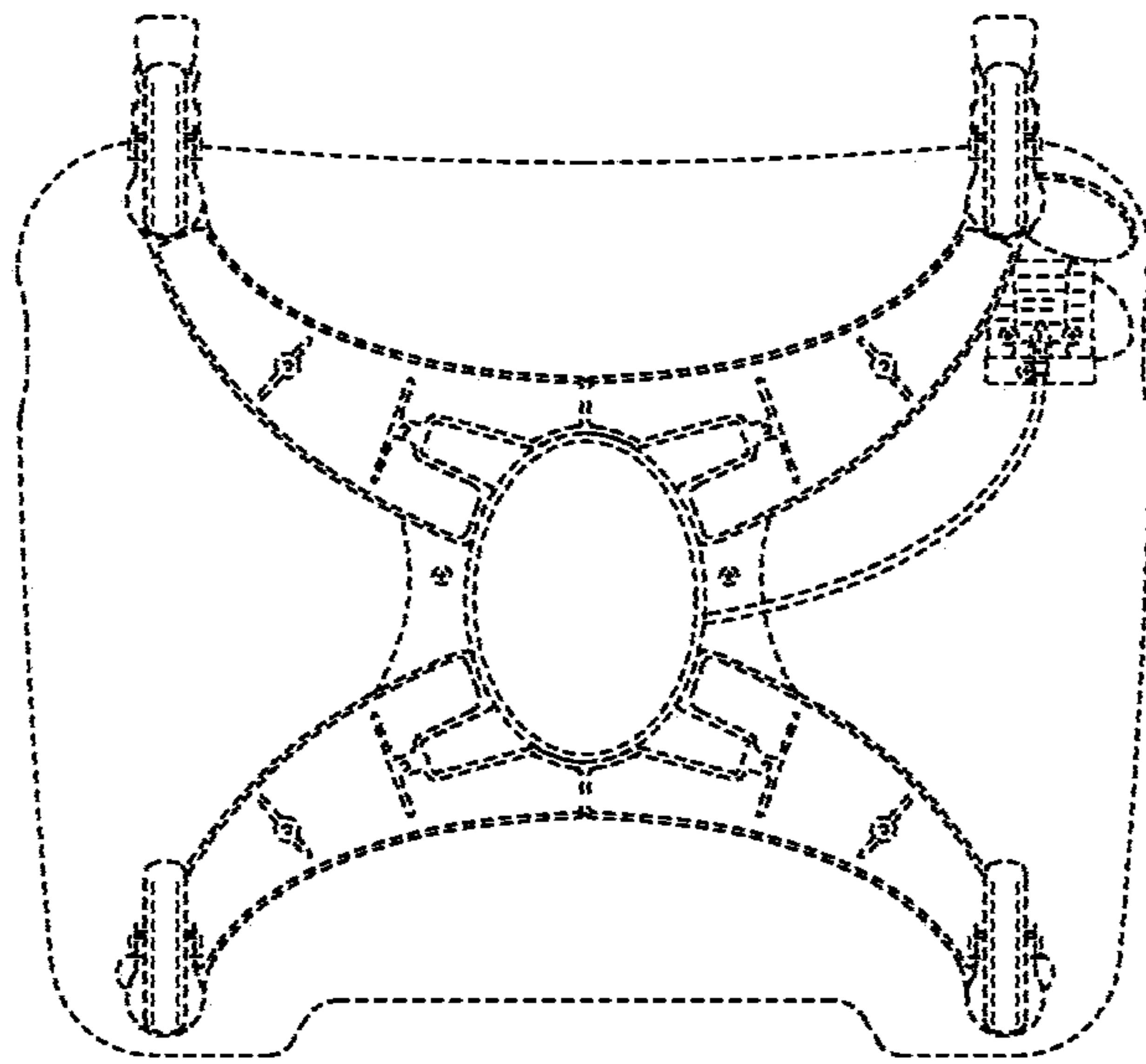


FIG. 7