



US00D936838S

(12) **United States Design Patent** (10) **Patent No.:** **US D936,838 S**
Alvarez et al. (45) **Date of Patent:** **** Nov. 23, 2021**

(54) **HANDLE FOR DENTAL CONTROL HEAD HOUSING**
(71) Applicant: **A-dec, Inc.**, Newberg, OR (US)
(72) Inventors: **Jason Alvarez**, Portland, OR (US);
Jonathan Wilson, Beaverton, OR (US)
(73) Assignee: **A-dec, Inc.**, Newberg, OR (US)
(**) Term: **15 Years**
(21) Appl. No.: **29/687,883**
(22) Filed: **Apr. 16, 2019**
(51) **LOC (13) Cl.** **24-02**
(52) **U.S. Cl.**
USPC **D24/177**
(58) **Field of Classification Search**
USPC D24/152-154, 176-182, 155, 156,
D24/227-229, 234, 133-135, 144-146,
D24/151, 107, 108, 110.5, 184, 185, 209,
D24/210, 223-226, 230; D29/108;
D6/513, 514, 515; D13/162, 184;
D8/300, 301, 302, 306, 313, 331;
D23/254
CPC Y10T 292/57; Y10T 292/1047; Y10T
292/1089; Y10T 292/865; Y10T 292/097;
Y10T 292/0938; Y10T 292/0834; Y10T
292/1014; Y10T 292/0959; Y10T
292/308; Y10T 292/1064; Y10T 16/44;
Y10T 16/458; Y10T 16/476; Y10T
16/473; Y10T 16/509; Y10T 70/5155;
Y10T 70/5832; Y10T 70/5757; Y10T
70/8541; Y10T 70/5765; Y10T 70/3705;
Y10T 70/489; Y10T 70/80; Y10T
70/8459; Y10T 74/20876; Y10T
74/20828; Y10T 74/20864
See application file for complete search history.

(56) **References Cited**
U.S. PATENT DOCUMENTS
2,668,076 A * 2/1954 Troche E05C 1/145
292/336.3
D283,299 S * 4/1986 Mazie 292/340
4,850,209 A * 7/1989 Weinerman E05B 9/08
70/208

D303,351 S * 9/1989 Weinerman D8/344
(Continued)

FOREIGN PATENT DOCUMENTS

GB 3010703 * 7/2003

OTHER PUBLICATIONS

Recessed Handle, [site visited Feb. 24, 2021]. Available from Internet. URL: <https://www.norelem.com/us/en/Products/Product-overview/Flexible-standard-component-system/06000-Operating-parts/Pull-handles-tubular-handles-and-recessed-handles/06960-Recessed-handles.html> (Year: 2021).*

(Continued)

Primary Examiner — T Chase Nelson
Assistant Examiner — Kelly L Gross
(74) *Attorney, Agent, or Firm* — Klarquist Sparkman, LLP

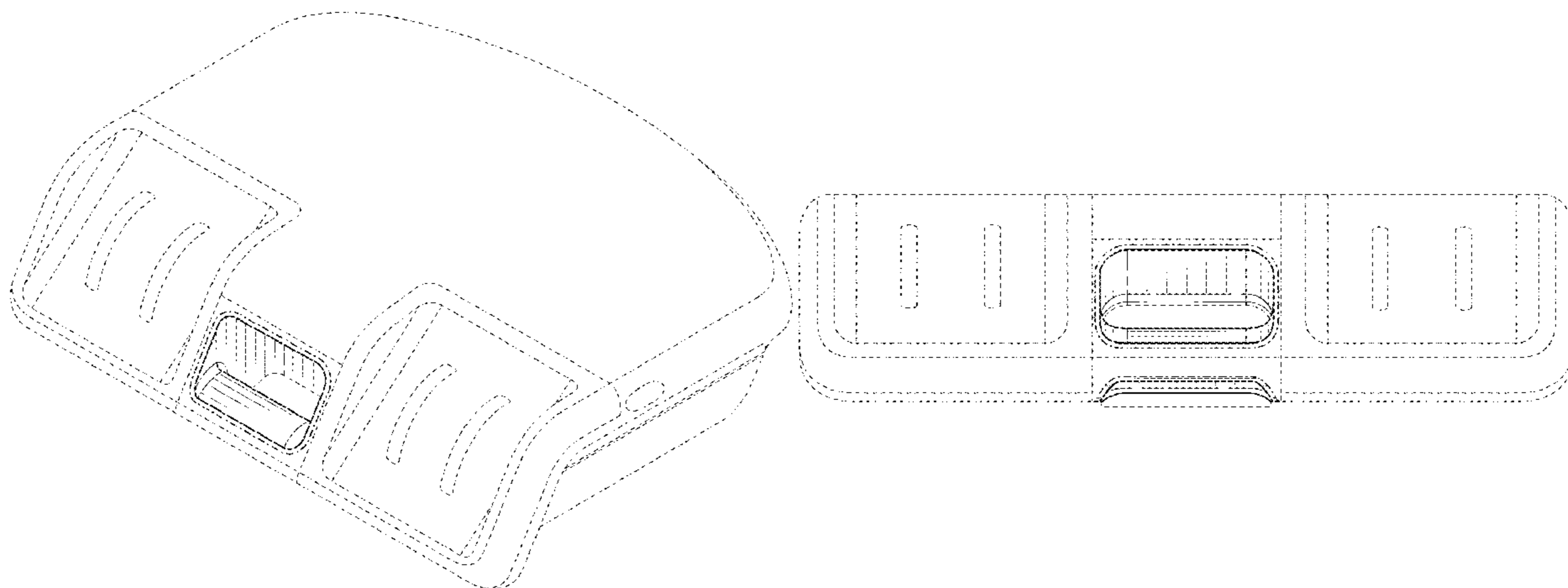
(57) **CLAIM**

We claim the ornamental design for a handle for dental control head housing, as shown and described.

DESCRIPTION

FIG. 1 is a perspective view of a handle for dental control head housing.
FIG. 2 is a front elevational view thereof.
FIG. 3 is a rear elevational view thereof.
FIG. 4 is a right side elevational view thereof.
FIG. 5 is a left side elevational view thereof.
FIG. 6 is a top plan view thereof; and,
FIG. 7 is a bottom plan view thereof.
The even length broken lines and isolated, unshaded surfaces outside of the dash-dot boundary lines also form no part of the claimed design.

1 Claim, 5 Drawing Sheets



(56)

References Cited

U.S. PATENT DOCUMENTS

D400,249 S * 10/1998 Holubar D24/107
 D442,846 S * 5/2001 Bastian D8/313
 D457,803 S * 5/2002 Weirnerman D8/331
 D458,107 S * 6/2002 Dodge D8/301
 D458,110 S * 6/2002 Landeros D8/331
 D482,451 S * 11/2003 Page D24/176
 D494,447 S * 8/2004 Linares D8/330
 D498,405 S * 11/2004 Weirnerman D8/306
 D498,655 S * 11/2004 Perfetti D8/306
 D501,393 S * 2/2005 Hansen D8/321
 D501,785 S * 2/2005 Mogus D8/313
 D502,380 S * 3/2005 Misner D8/302
 D502,642 S * 3/2005 Misner D8/302
 D513,959 S * 1/2006 Willems D8/301
 D516,377 S * 3/2006 Plichon D7/394
 D519,823 S * 5/2006 Pickar D8/331
 D521,734 S * 5/2006 Gibby D3/318
 D536,235 S * 2/2007 Vickers D8/331
 D537,701 S * 3/2007 Houdek D8/302
 D538,131 S * 3/2007 Paige D8/302
 D541,129 S * 4/2007 Helton D8/301
 D542,624 S * 5/2007 Vickers D8/331
 D549,551 S * 8/2007 Weirnerman D8/331
 D555,247 S * 11/2007 Castellini D24/177
 D568,143 S * 5/2008 Sclater D8/331
 D572,997 S * 7/2008 Gully D8/302
 D605,296 S * 12/2009 Hosey D24/177
 D605,297 S * 12/2009 Unsworth D24/177
 D605,771 S * 12/2009 Unsworth D24/177
 D612,340 S * 3/2010 Mayo D13/174
 D618,353 S * 6/2010 Sanga D24/177
 D622,126 S * 8/2010 Burns D8/302
 D634,603 S * 3/2011 Koehn D8/313
 D635,438 S * 4/2011 Barton D8/331
 D635,439 S * 4/2011 Barton D8/331
 D638,276 S * 5/2011 Tonizzo D8/331
 D644,500 S * 9/2011 Baldwin D8/331
 D647,205 S * 10/2011 Matthias D24/177
 D654,779 S * 2/2012 Matre D8/356
 D659,505 S * 5/2012 Sakuma D8/313
 D663,423 S * 7/2012 Kagawa D24/177
 D670,392 S * 11/2012 Kagawa D24/177
 D682,432 S * 5/2013 Khan D24/186
 D687,141 S * 7/2013 Schneider D24/108
 D689,864 S * 9/2013 Vaughan D14/421
 D694,888 S * 12/2013 Chung D24/169
 D695,407 S * 12/2013 Price A61B 18/1206
 D701,742 S * 4/2014 Rechberg D8/331
 D701,744 S * 4/2014 Weirnerman D8/331
 D712,031 S * 8/2014 Feng D24/144
 D717,965 S * 11/2014 Sanga D24/217
 D719,435 S * 12/2014 Paulino D8/331
 D732,923 S * 6/2015 Rechberg D8/331
 D735,878 S * 8/2015 Chang D24/216
 D737,447 S * 8/2015 Fluxman D24/169

D737,449 S * 8/2015 Zheng D24/170
 D746,476 S * 12/2015 Noda D24/186
 D748,803 S * 2/2016 Zhang D24/170
 D751,717 S * 3/2016 Kagawa D24/177
 D759,253 S * 6/2016 Bar-Or D24/186
 D768,862 S * 10/2016 Werner D24/176
 D788,311 S * 5/2017 Sanga D24/176
 D799,035 S * 10/2017 Shimobayashi D24/138
 D810,010 S * 2/2018 Rook D13/102
 D810,030 S * 2/2018 Velez D13/152
 D812,218 S * 3/2018 Lacy D24/111
 D812,230 S * 3/2018 Silvonen D24/177
 D812,459 S * 3/2018 Miller D8/383
 D813,391 S * 3/2018 Duncan D24/152
 D827,326 S * 9/2018 Sealey D6/523
 D828,140 S * 9/2018 Garland D8/316
 D828,574 S * 9/2018 Fujiwara D24/216
 D837,026 S * 1/2019 Poidatz D8/302
 D837,627 S * 1/2019 Poidatz D8/302
 D838,573 S * 1/2019 Le D8/302
 D839,665 S * 2/2019 Munari D7/393
 D845,752 S * 4/2019 Parish-Allaire D8/404
 D850,884 S * 6/2019 Poidatz D8/302
 D854,188 S * 7/2019 Schaeken D24/232
 D854,394 S * 7/2019 Rademacher D8/303
 D865,182 S * 10/2019 Richter D24/186
 D868,236 S * 11/2019 Frampton D24/107
 D874,017 S * 1/2020 Jenoski D24/216
 D877,321 S * 3/2020 DiMatteo D24/110
 D878,578 S * 3/2020 Onuma D24/138
 D897,818 S * 10/2020 Tien D8/331
 D903,873 S * 12/2020 Alvarez D24/177
 D903,874 S * 12/2020 Alvarez D24/177
 D907,675 S * 1/2021 Doke D15/148
 D909,173 S * 2/2021 Sabberton E05B 1/0015
 D910,413 S * 2/2021 Spray D8/300
 D916,287 S * 4/2021 Marshall D24/146
 D919,805 S * 5/2021 Nohara D24/138
 D922,585 S * 6/2021 Felder D24/176
 D924,409 S * 7/2021 Sanga D24/177
 D924,428 S * 7/2021 Chen D24/217
 D926,995 S * 8/2021 He D24/185
 D927,723 S * 8/2021 Nelsen D24/216
 D928,970 S * 8/2021 Sato D24/186
 2010/0133858 A1 * 6/2010 Huck E05B 1/0015
 292/336.3

OTHER PUBLICATIONS

Recessed Handles, [site visited Feb. 24, 2021]. Available from Internet. URL: <https://www.kipp.com/gb/en/Products/Operating-parts-standard-elements/Stirrup-shaped-handles-machine-handles-apparatus-handles/K0242-Recessed-handles.html> (Year: 2021).*
 "Instructions for Use: A-dec 500 Delivery Systems: Models 532,533, and 542," *A-dec Inc.*, 2014, 40pp.

* cited by examiner

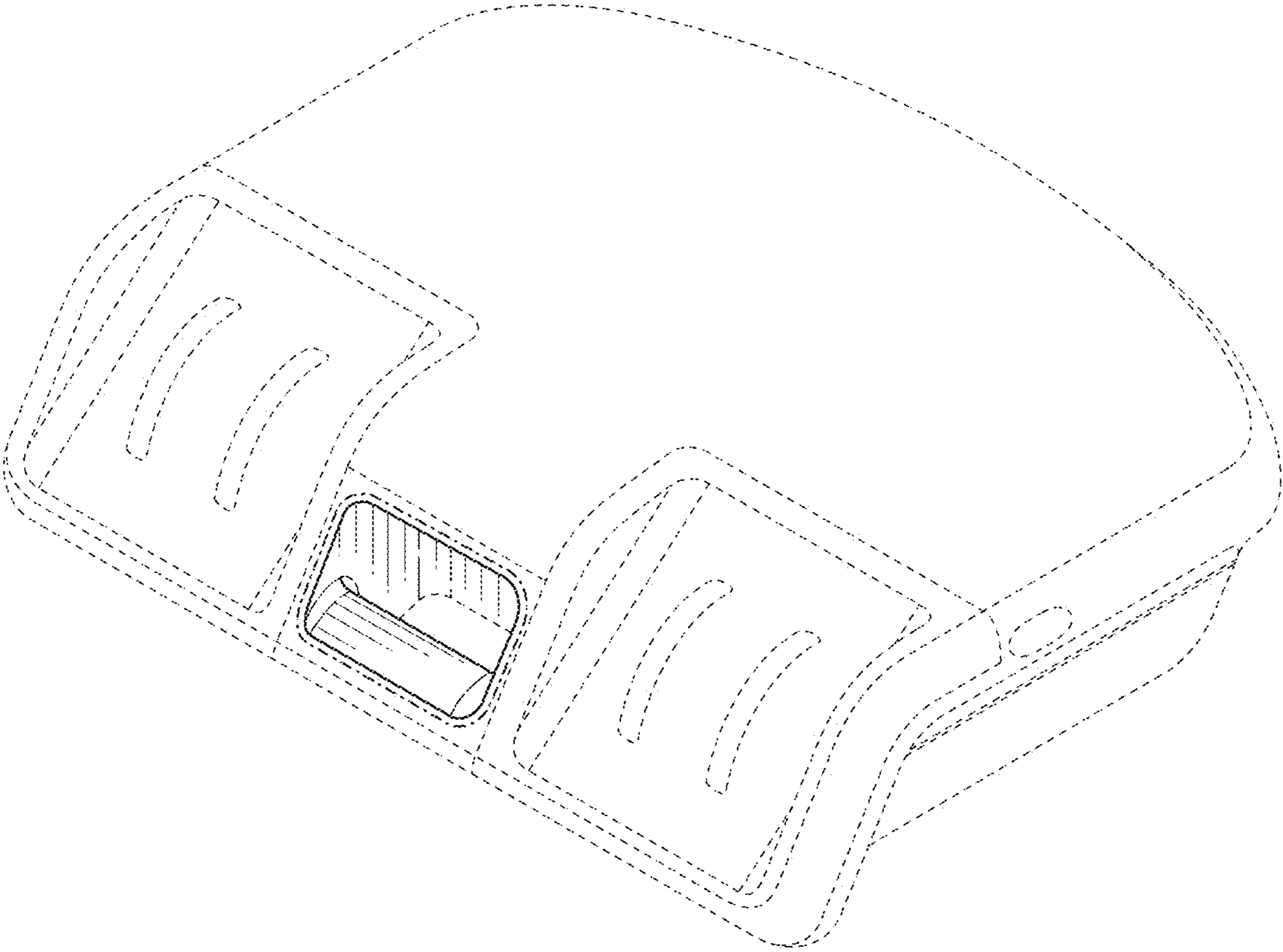


FIG. 1

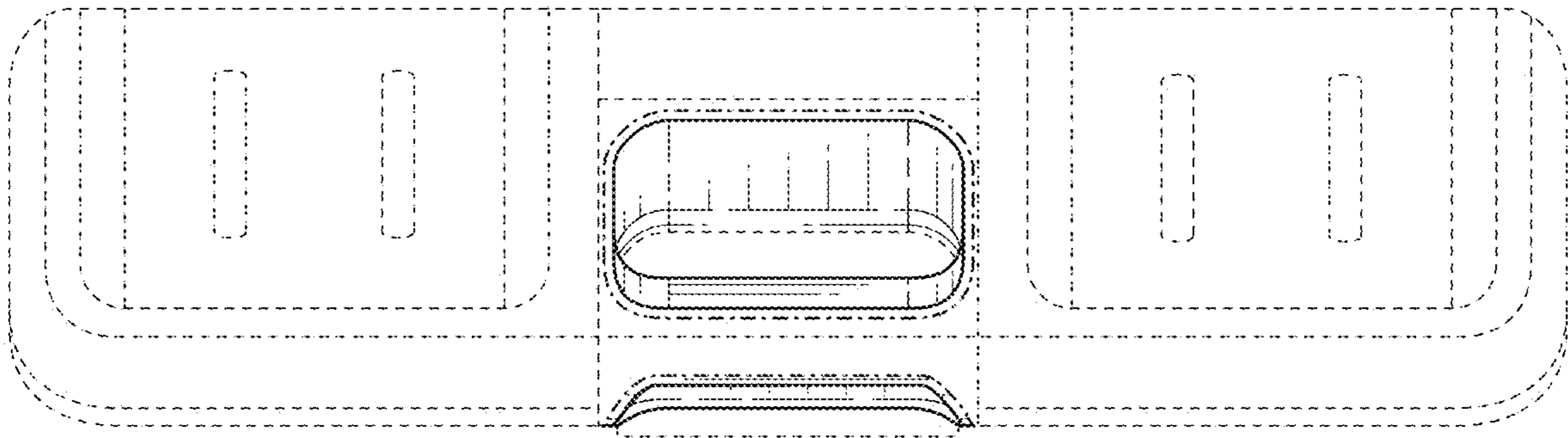


FIG. 2

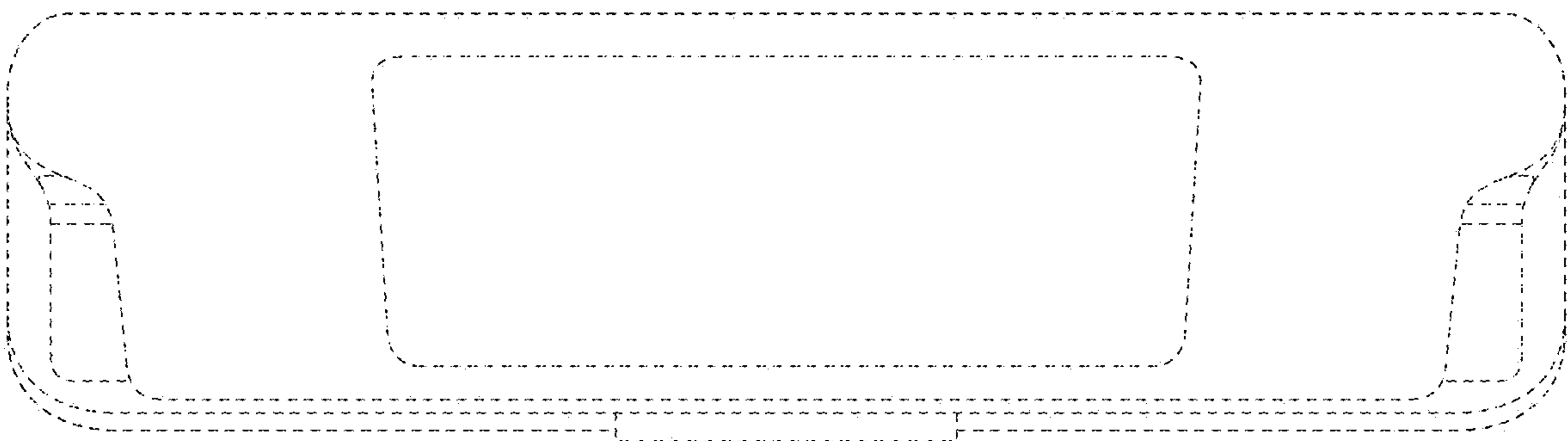


FIG. 3

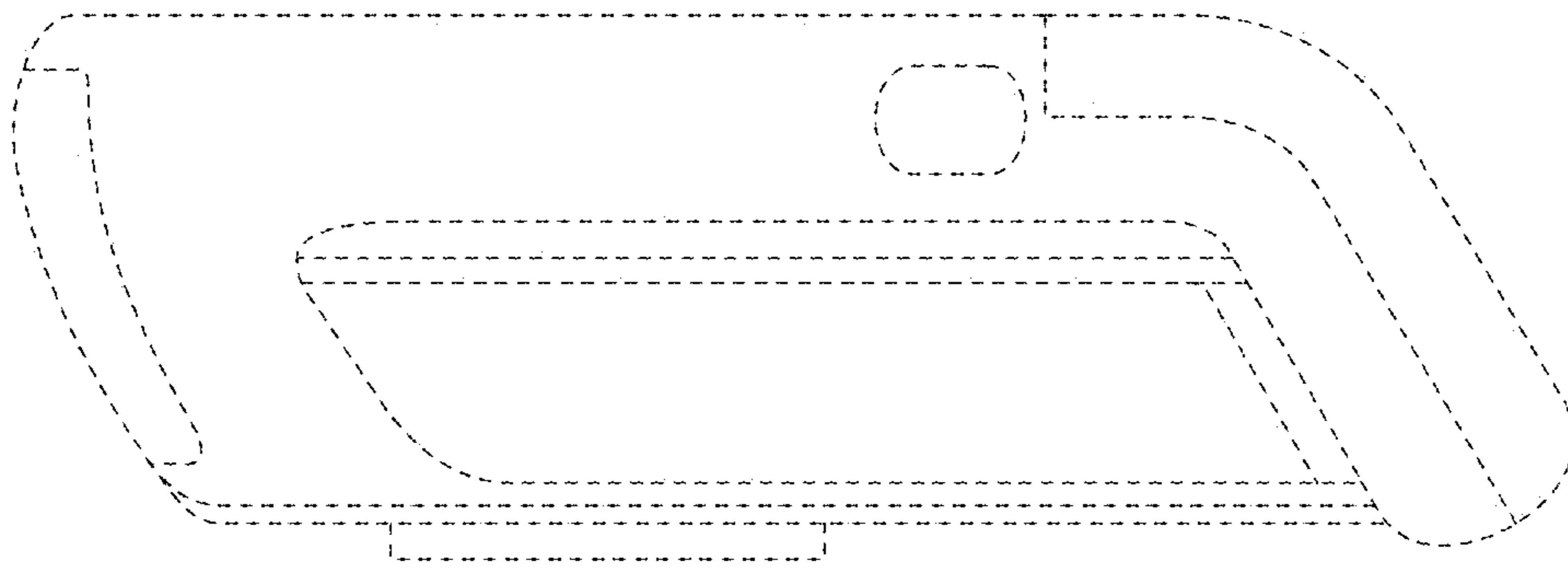


FIG. 4

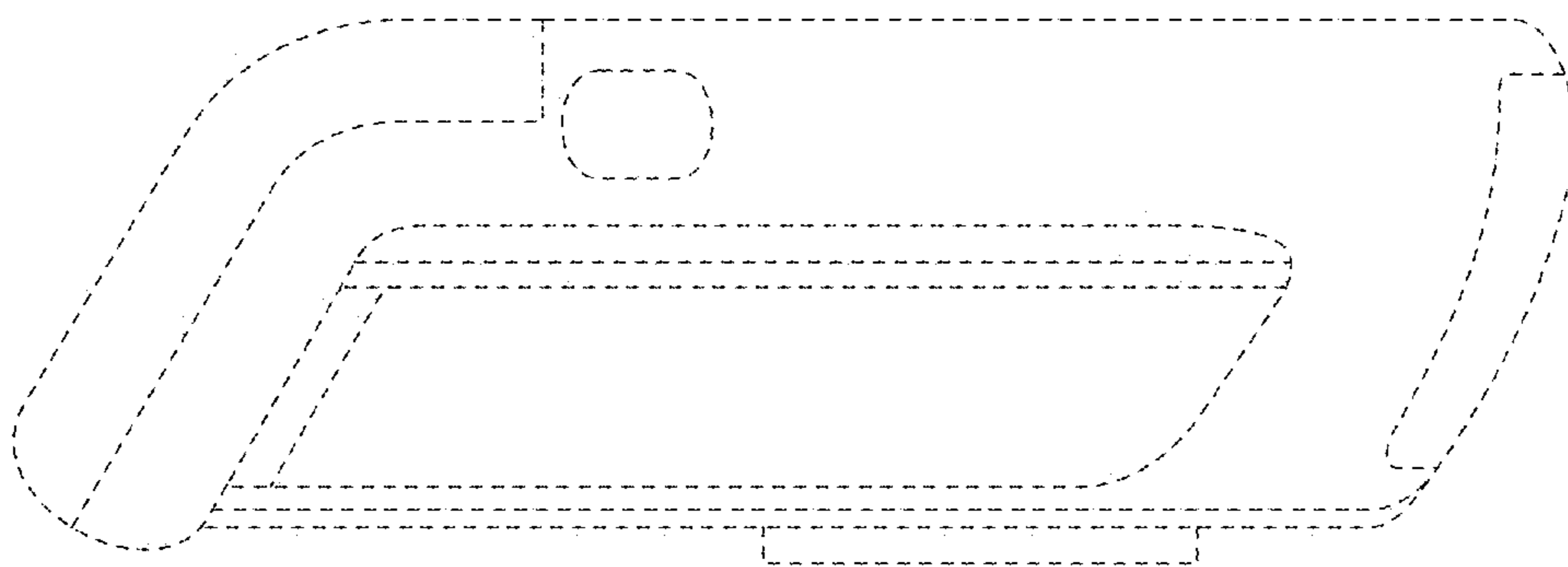


FIG. 5

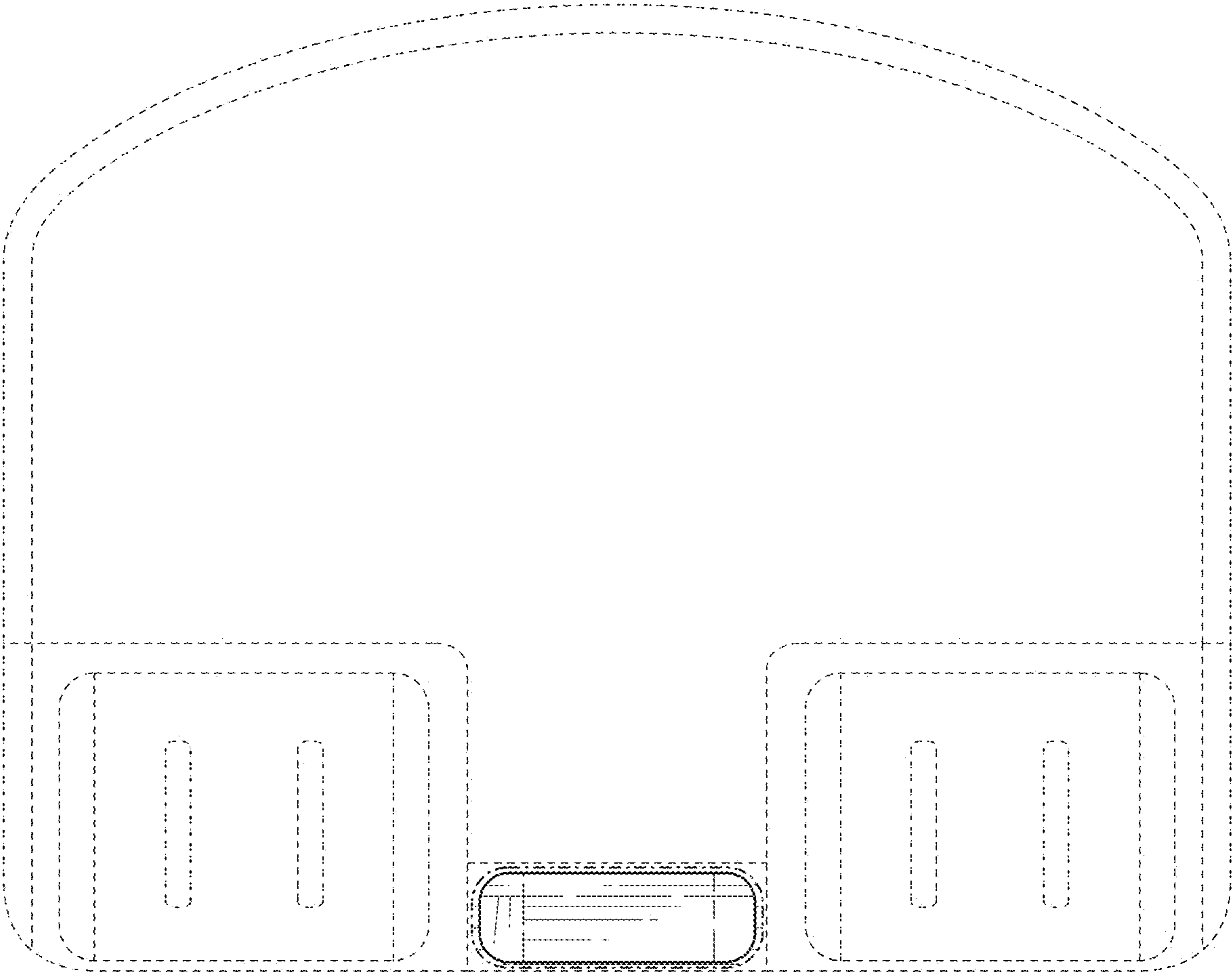


FIG. 6

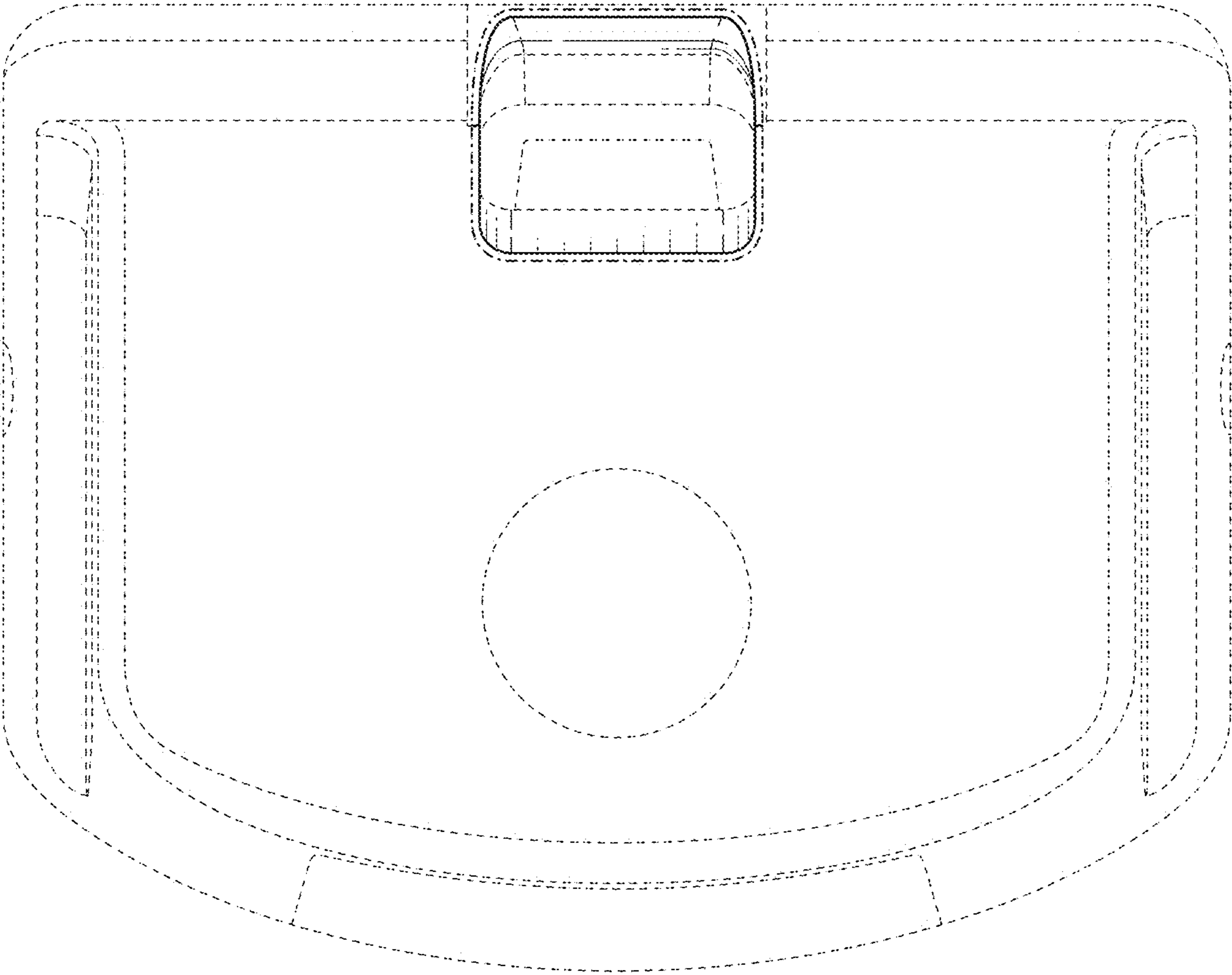


FIG. 7